



US00D524227S

(12) **United States Design Patent**
Stille et al.

(10) **Patent No.:** **US D524,227 S**

(45) **Date of Patent:** **** Jul. 4, 2006**

(54) **RIGID COAXIAL ROTOR UNMANNED HELICOPTER WITH AUXILIARY PROPULSION**

D361,053 S	*	8/1995	Whyte et al.	D12/327
D363,054 S	*	10/1995	Taylor et al.	D12/327
D375,077 S	*	10/1996	Taylor et al.	D12/327
D388,048 S	*	12/1997	Taylor et al.	D12/328
D425,853 S	*	5/2000	Caporaletti	D12/327

(75) Inventors: **Brandon Stille**, Cheshire, CT (US);
Michael P. Strauss, New Haven, CT (US)

* cited by examiner

Primary Examiner—Marcus A. Jackson

(73) Assignee: **Sikorsky Aircraft Corporation**, Stratford, CT (US)

(57) **CLAIM**

(**) Term: **14 Years**

The ornamental design for a rigid coaxial rotor unmanned helicopter with auxiliary propulsion, as shown and described.

(21) Appl. No.: **29/231,085**

DESCRIPTION

(22) Filed: **May 31, 2005**

FIG. 1 is a perspective view of the rigid coaxial rotor unmanned helicopter with auxiliary propulsion; FIG. 2 is another perspective view thereof; FIG. 3 is a left side elevational view thereof; FIG. 4 is a right side elevational view thereof; FIG. 5 is a top plan view thereof; FIG. 6 is a bottom plan view thereof; FIG. 7 is a front elevational view thereof; and, FIG. 8 is a rear elevational view thereof.

(51) **LOC (8) Cl.** **12-07**

(52) **U.S. Cl.** **D12/327**

(58) **Field of Classification Search** D12/327-329;
244/17.11, 17.19, 17.21

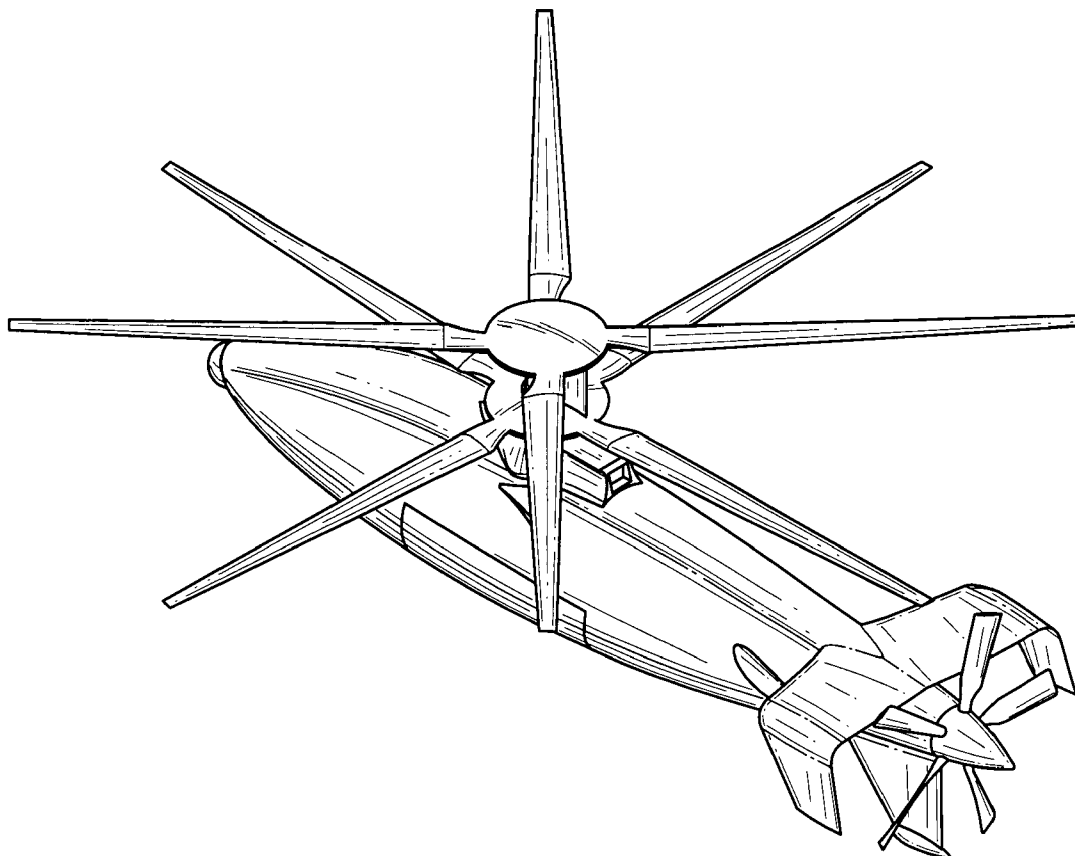
See application file for complete search history.

(56) **References Cited**

U.S. PATENT DOCUMENTS

D357,894 S * 5/1995 Arnold et al. D12/327

1 Claim, 5 Drawing Sheets



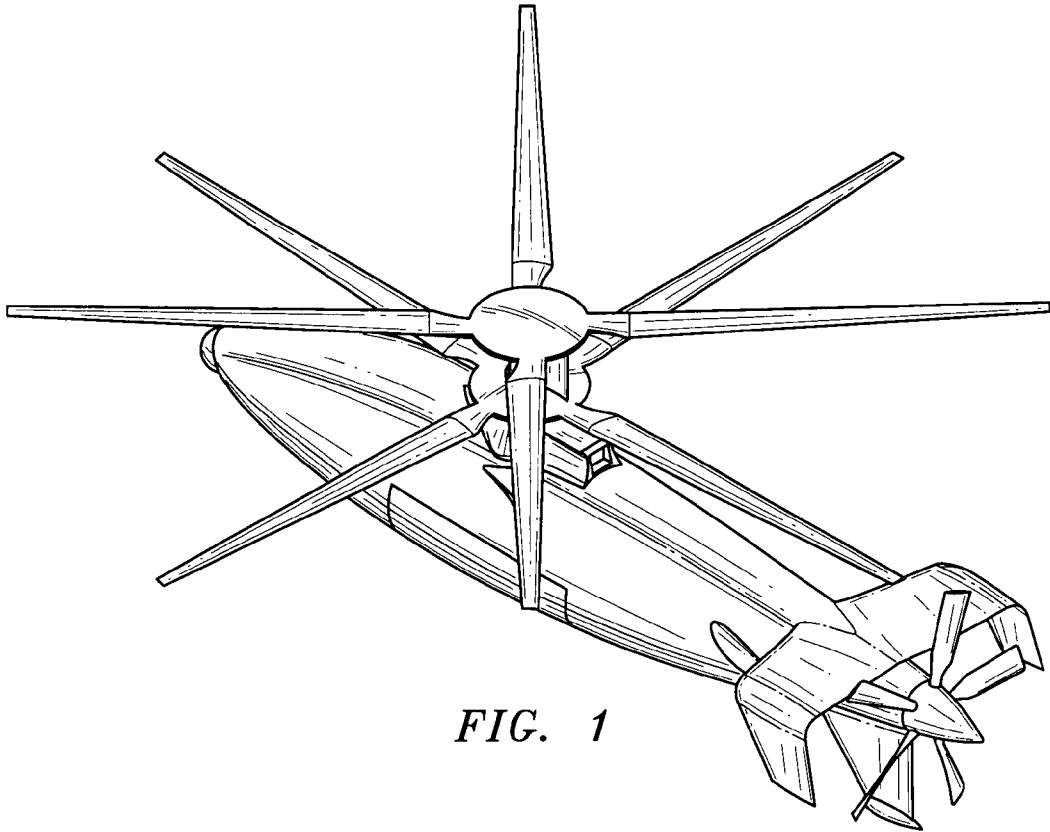


FIG. 1

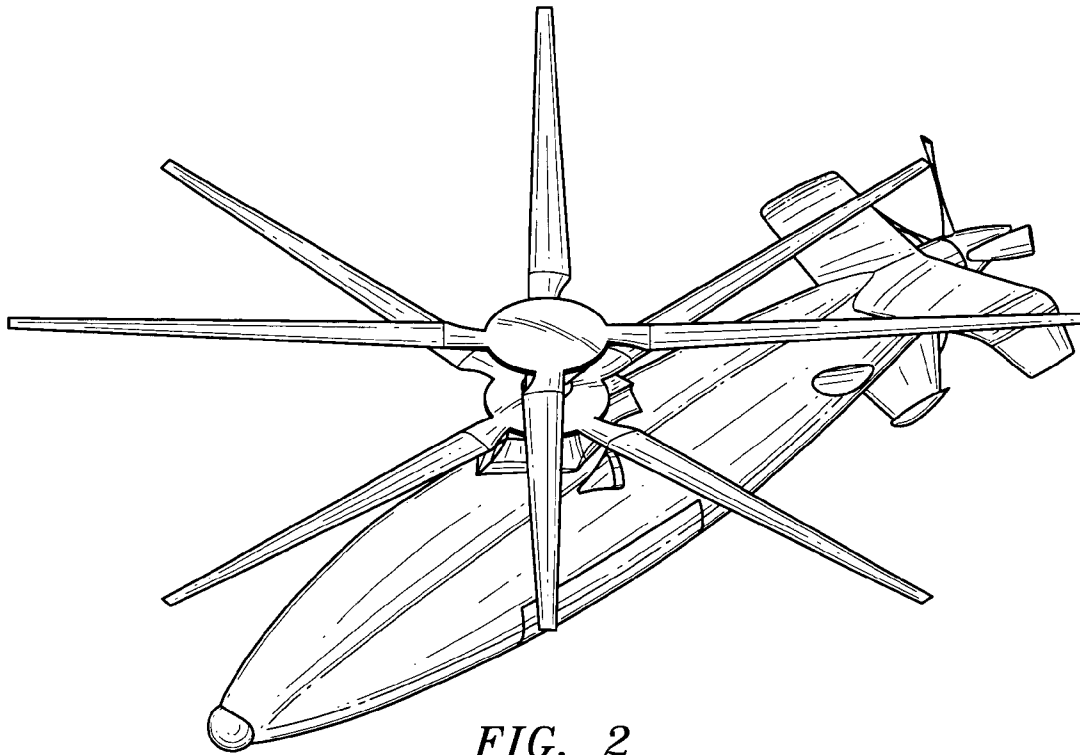


FIG. 2

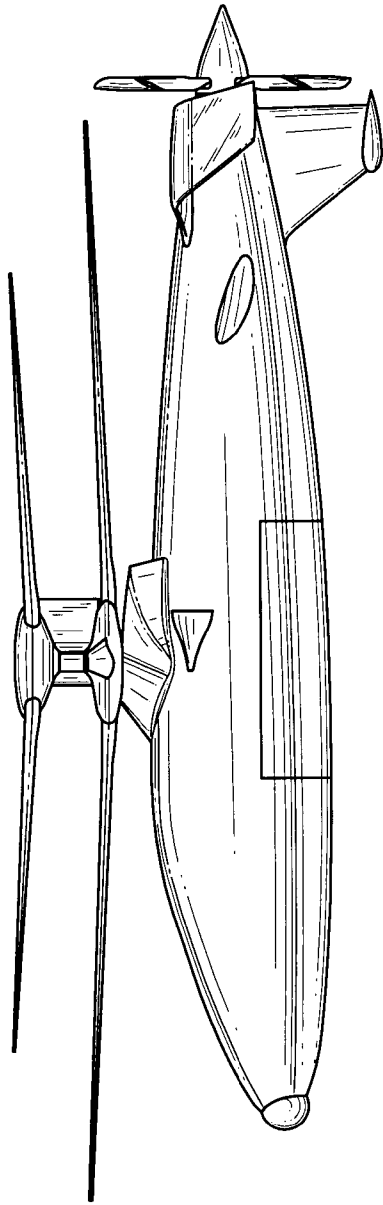


FIG. 3

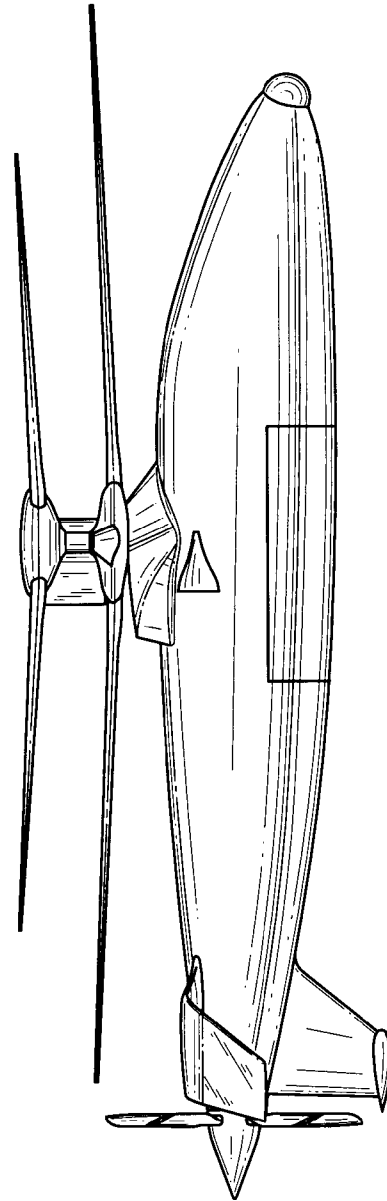


FIG. 4

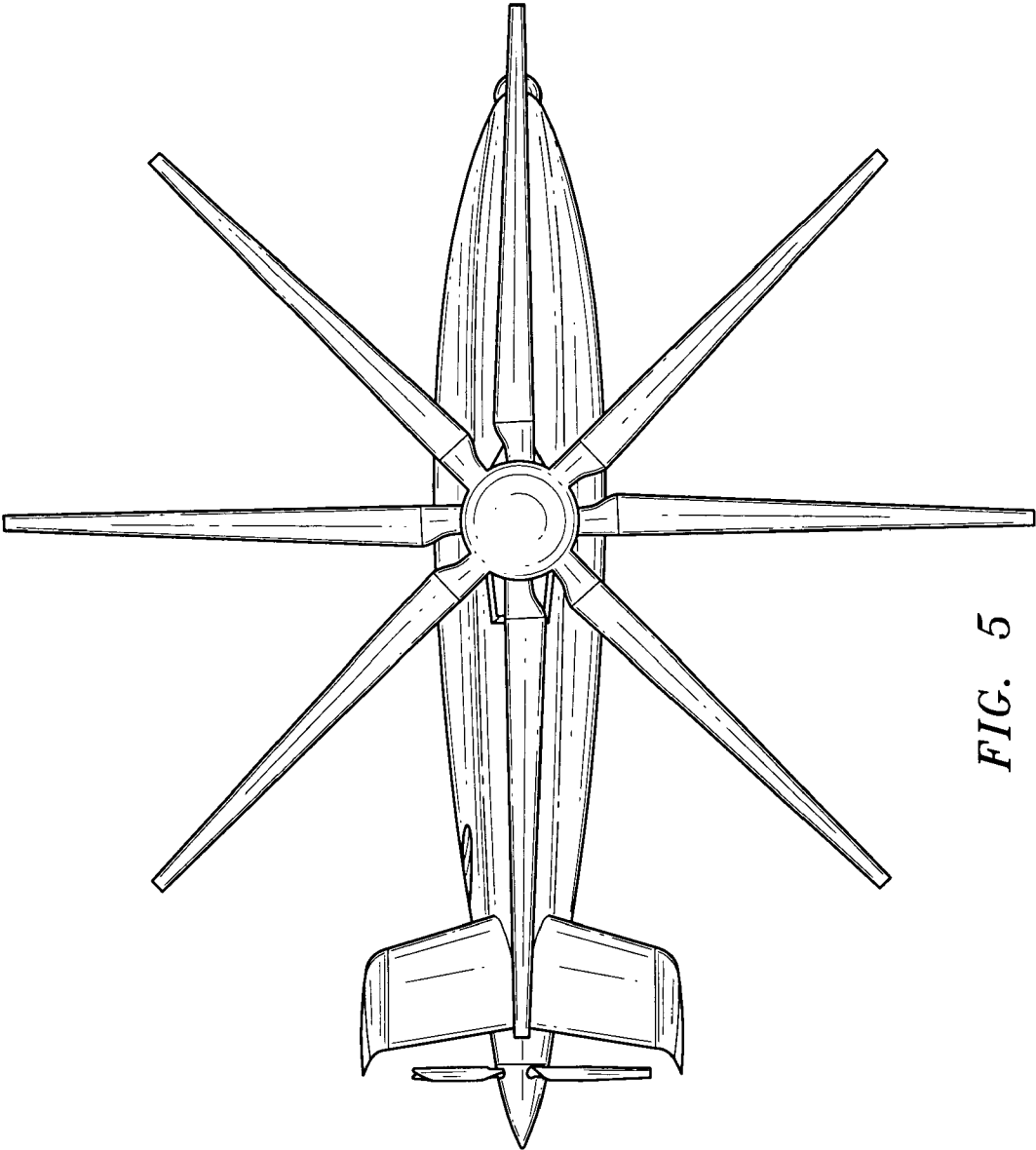


FIG. 5

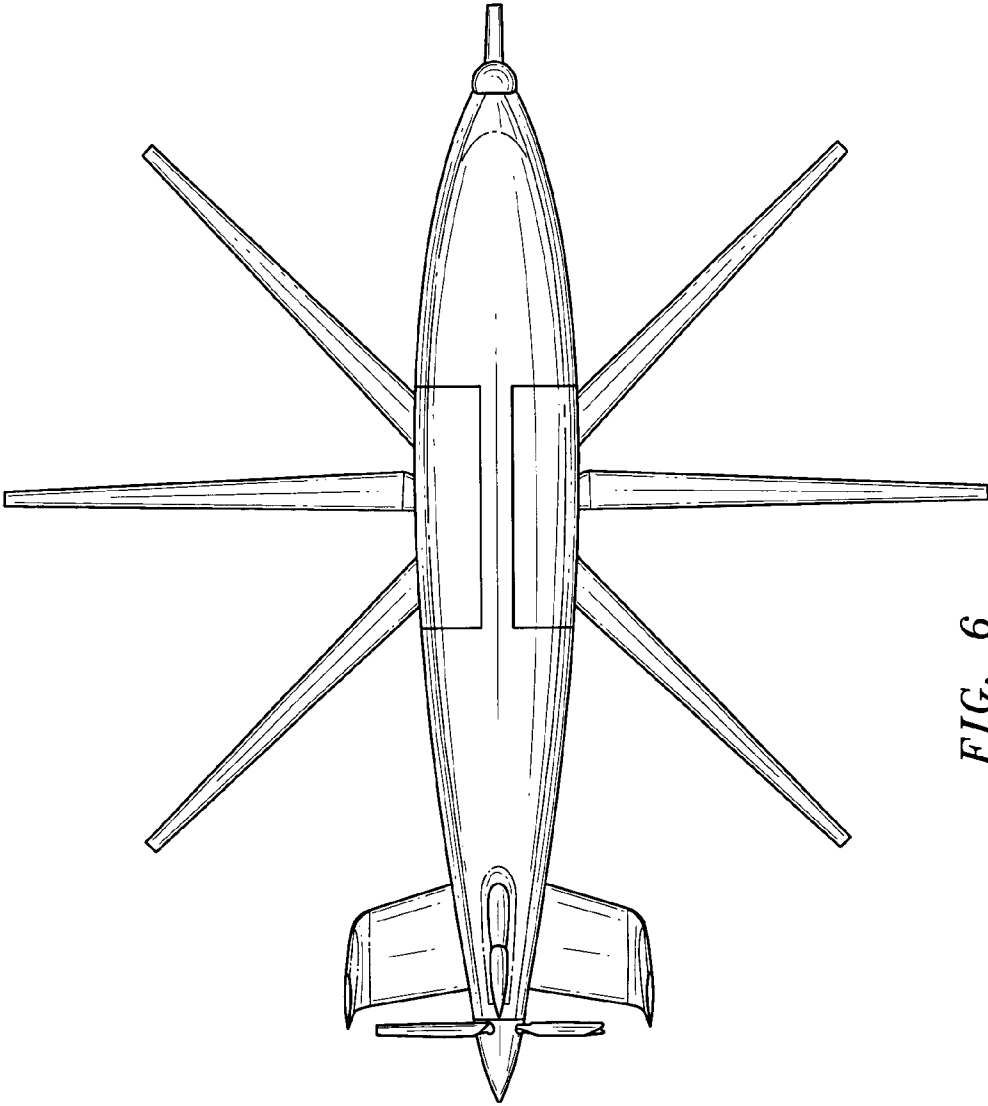


FIG. 6

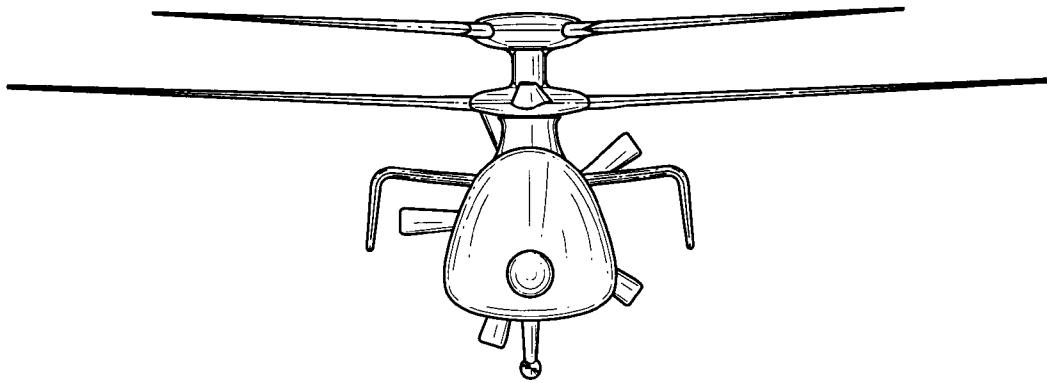


FIG. 7

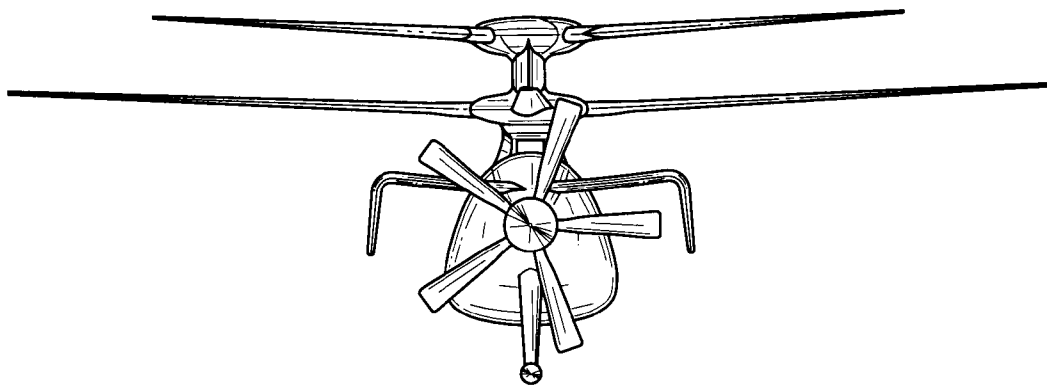


FIG. 8