



US00D778737S

(12) **United States Design Patent**
Jacobs et al.

(10) **Patent No.:** **US D778,737 S**

(45) **Date of Patent:** **** Feb. 14, 2017**

(54) **WATCH**

(71) Applicant: **Olio Devices, Inc.**, San Francisco, CA (US)

(72) Inventors: **Steven Jacobs**, San Francisco, CA (US); **Bruce Trip Vest**, San Francisco, CA (US); **Kyle Dell'Aquila**, San Francisco, CA (US); **Josh Chadwick**, San Francisco, CA (US)

(73) Assignee: **Olio Devices, Inc.**, San Francisco, CA (US)

(**) Term: **15 Years**

(21) Appl. No.: **29/530,126**

(22) Filed: **Jun. 12, 2015**

(51) **LOC (10) Cl.** **10-02**

(52) **U.S. Cl.**
USPC **D10/38**

(58) **Field of Classification Search**
USPC D10/30-39, 1-29, 122-132; 368/10, 368/15-18, 21, 28, 37, 80, 223, 228, 232, 368/276, 277, 281, 282, 285, 294, 295, 368/308, 319

CPC G04B 17/00; G04B 17/02; G04B 17/005; G04B 17/285; G04B 37/00; G04B 37/0008; G04B 37/0058; G04B 45/00; G04B 45/038; G04B 45/0069; G04B 45/0076; G04B 45/02; G04B 29/00

See application file for complete search history.

(56) **References Cited**

U.S. PATENT DOCUMENTS

235,010 A 11/1880 Parker
D26,922 S 4/1897 Smith

D201,452 S	6/1965	Shipley	
D244,707 S *	6/1977	Tiep	D10/38
D246,164 S *	10/1977	Koehler	D10/124
4,397,566 A	8/1983	Lederrey	
D304,429 S	11/1989	Hirschhorn	
D310,181 S	8/1990	Nobs	
D338,161 S	8/1993	Kizaki	
D353,108 S *	12/1994	Rabassa	D10/32
D373,538 S *	9/1996	Riley	D10/30
D380,392 S *	7/1997	Kennedy	D10/30
D389,070 S *	1/1998	Galli	D10/30
D389,752 S *	1/1998	Riley	D10/30
D394,815 S	6/1998	Jorss	
D427,243 S	6/2000	Luby et al.	
D431,202 S	9/2000	Luscher	
D447,063 S *	8/2001	Scheufele	D10/30
D453,006 S	1/2002	Lepeu et al.	

(Continued)

Primary Examiner — Susan Bennett Hattan

Assistant Examiner — Jennifer Wright

(74) *Attorney, Agent, or Firm* — Jeffrey Schox; Diana Lin

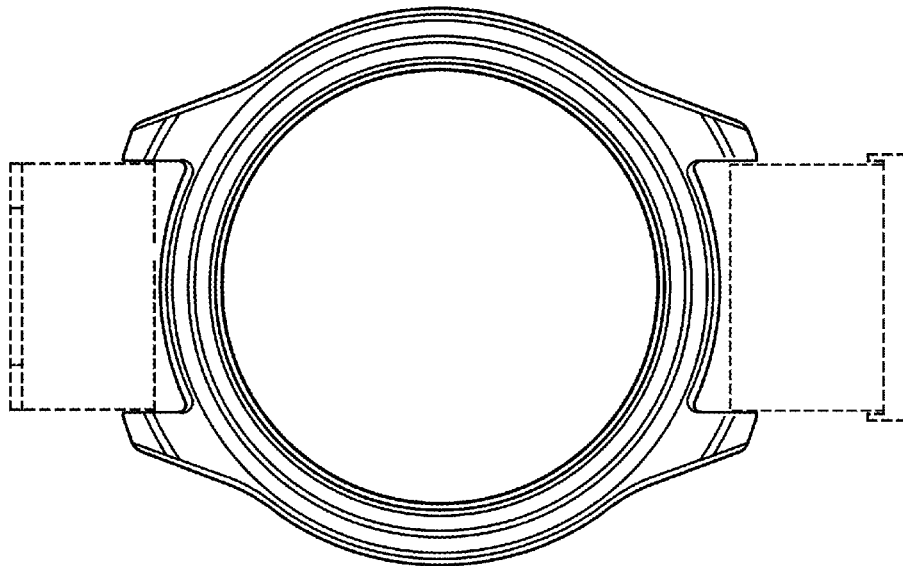
(57) **CLAIM**

We claim the ornamental design for a watch, as shown and described.

DESCRIPTION

FIG. 1 is an isometric view, from the bottom right, of the watch;
FIG. 2 is an isometric view, from the top left, of the watch;
FIG. 3 is a plan view of the bottom of the watch;
FIG. 4 is an elevation view of the left side of the watch;
FIG. 5 is an elevation view of the right side of the watch;
FIG. 6 is a plan view of the top of the watch;
FIG. 7 is an elevation view of the back of the watch; and,
FIG. 8 is an elevation view of the front of the watch.
The broken lines depict environment only and form no part of the claimed design.

1 Claim, 5 Drawing Sheets



(56)

References Cited

U.S. PATENT DOCUMENTS

D489,018	S	4/2004	Grotell	
D526,232	S	8/2006	Calvani	
7,111,978	B2	9/2006	Gerber	
D529,825	S	10/2006	Perrenoud	
D588,472	S	3/2009	Messmer et al.	
D624,443	S *	9/2010	Cerrato	D10/38
7,976,214	B2	7/2011	Hiranuma et al.	
D645,361	S *	9/2011	Parmigiani	D10/38
D645,373	S	9/2011	Car	
D651,099	S *	12/2011	Ruffieux	D10/38
D656,414	S *	3/2012	Parmigiani	D10/38
D694,655	S *	12/2013	Rufenacht	D10/38
D709,875	S *	7/2014	Aumiller	D14/344
D711,872	S *	8/2014	Aumiller	D14/344
D718,150	S *	11/2014	Gueit	D10/32
D733,580	S *	7/2015	Cerrato	D10/38
D734,677	S *	7/2015	Ruffieux	D10/38
D752,583	S *	3/2016	Solomon	D10/38
2012/0140604	A1	6/2012	Kawakami et al.	
2014/0143785	A1 *	5/2014	Mistry	G06F 9/4893 718/104

* cited by examiner

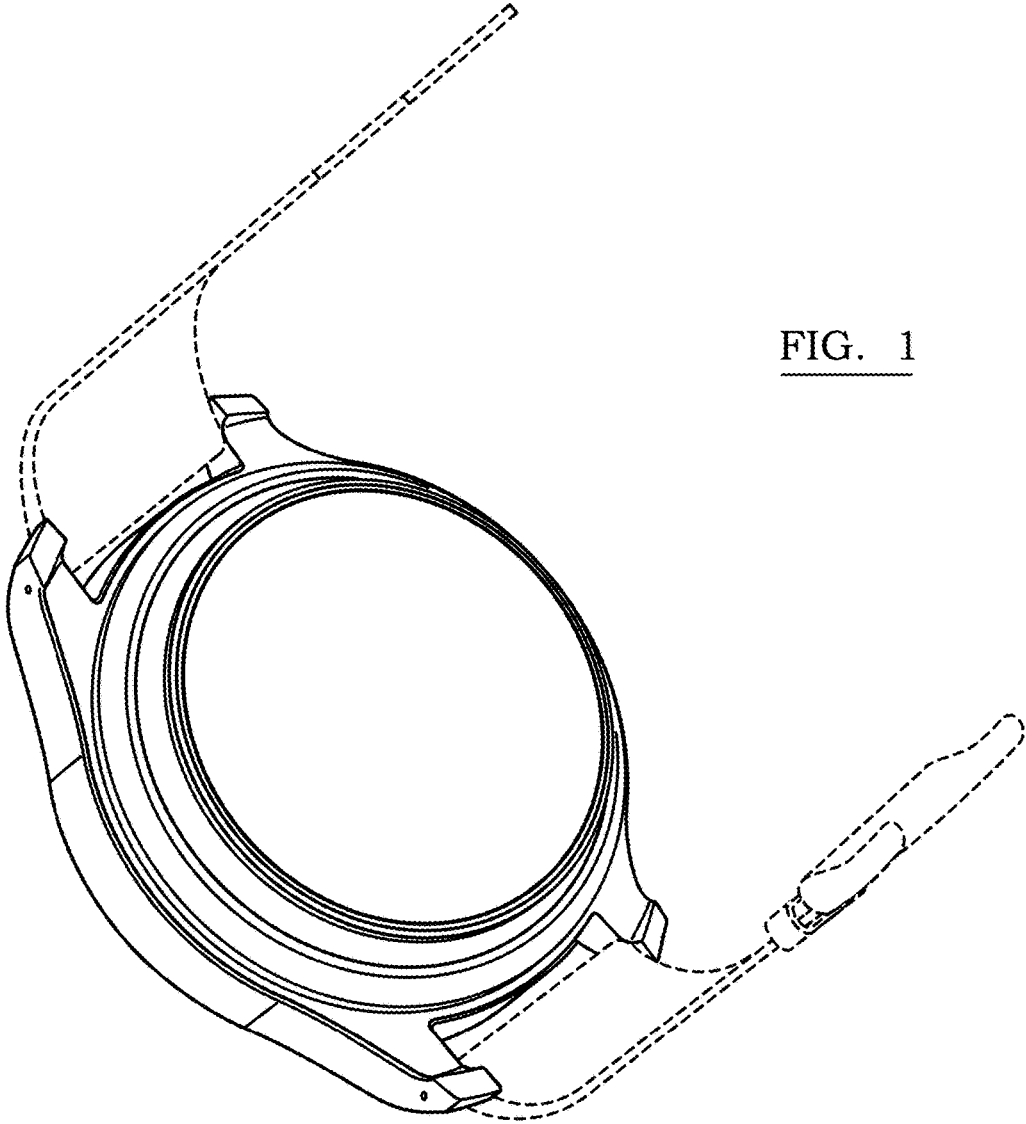


FIG. 1

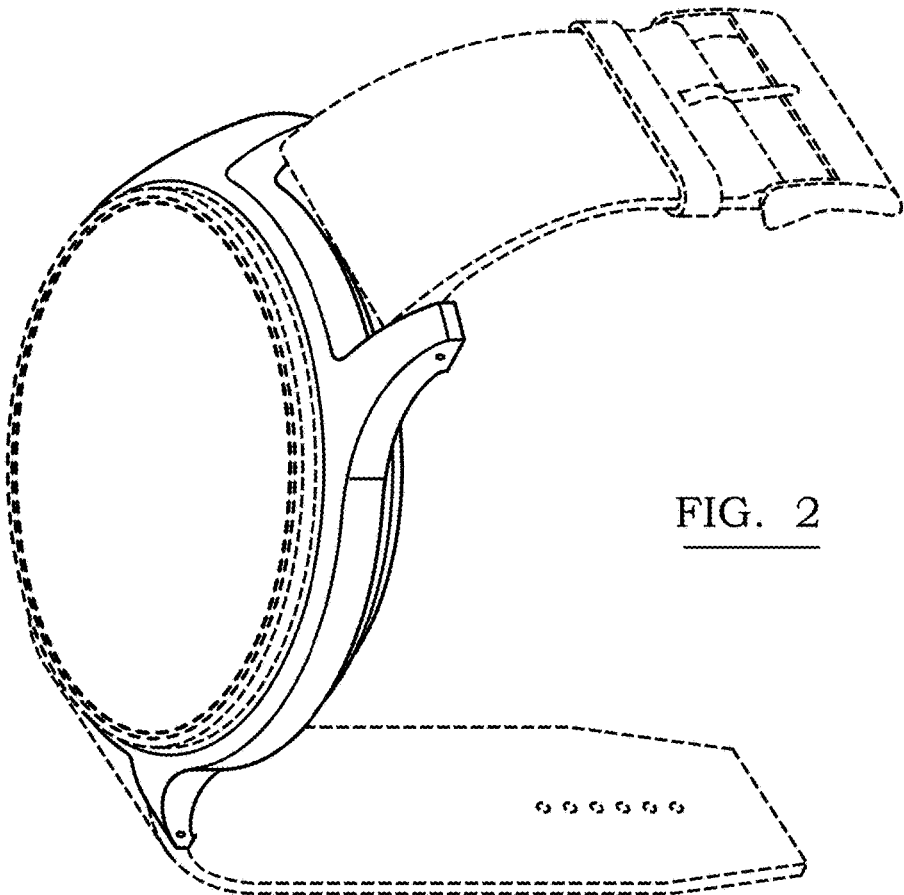


FIG. 2

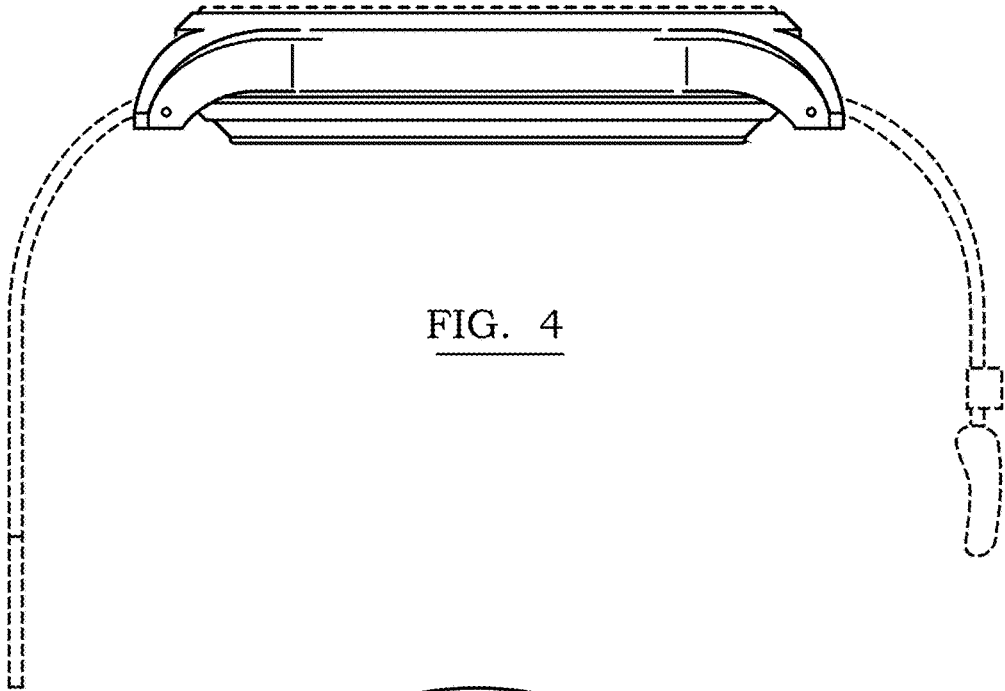


FIG. 4

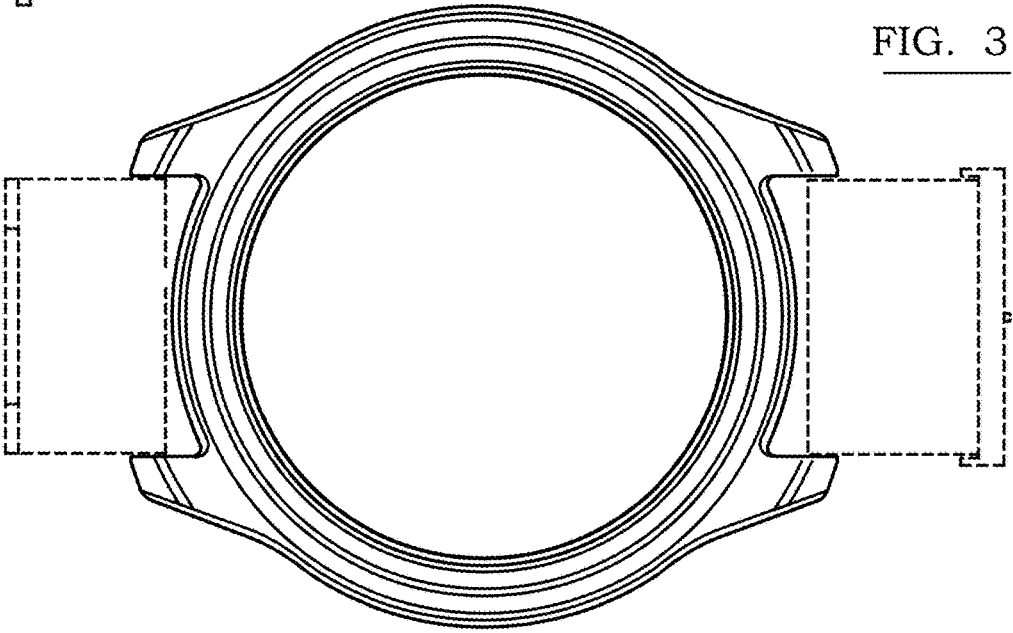


FIG. 3

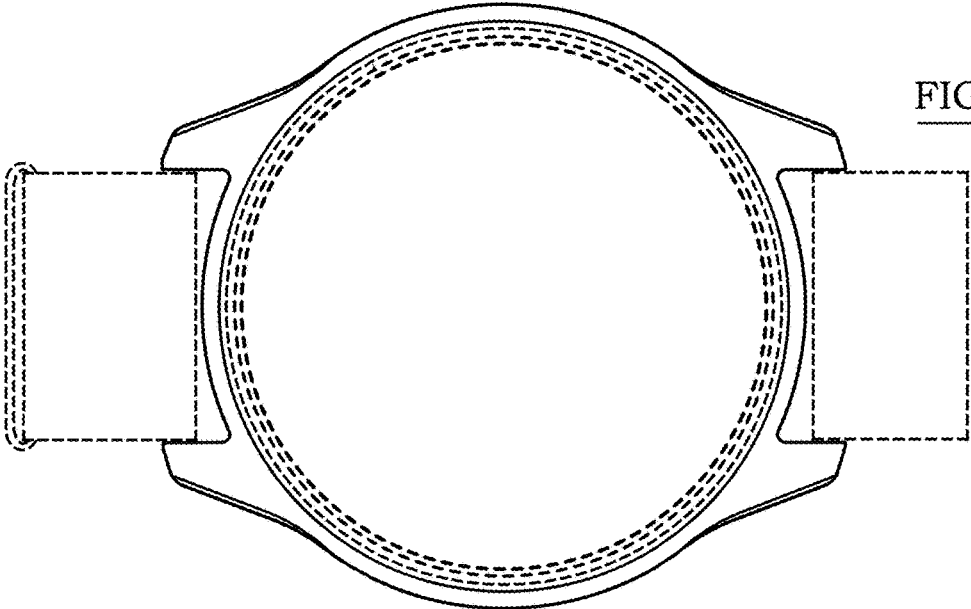


FIG. 6

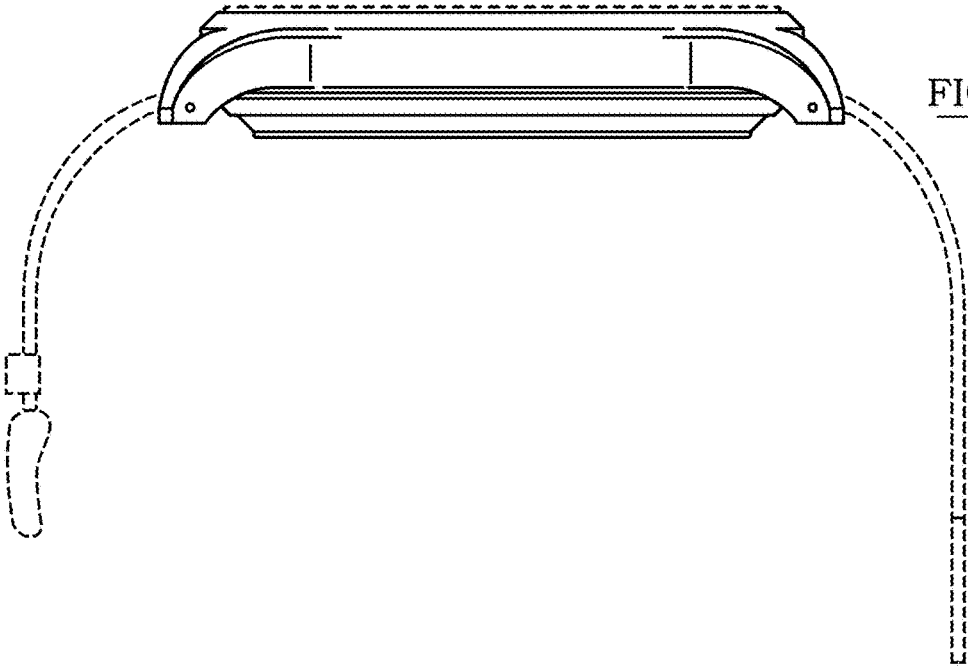


FIG. 5

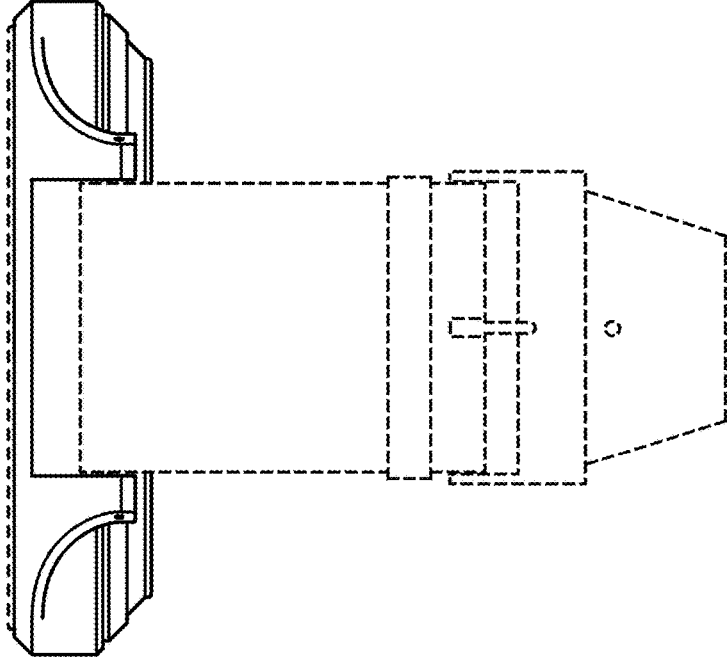


FIG. 8

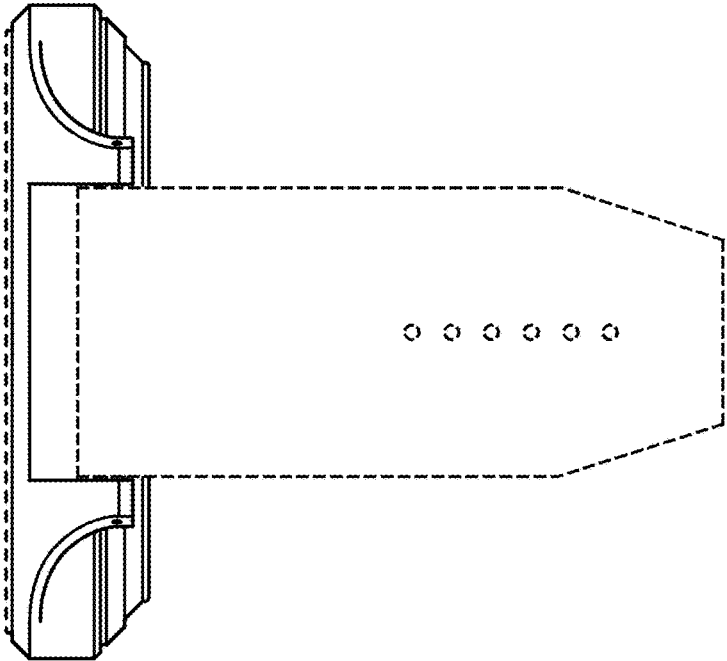


FIG. 7