



US00D556707S

(12) **United States Design Patent**  
**Fujii**

(10) **Patent No.:** **US D556,707 S**

(45) **Date of Patent:** **\*\* Dec. 4, 2007**

(54) **TELEVISION RECEIVER**

(75) Inventor: **Mitsunari Fujii**, Hyogo (JP)

(73) Assignee: **Matsushita Electric Industrial Co., Ltd.**, Osaka (JP)

(\*\*) Term: **14 Years**

(21) Appl. No.: **29/253,182**

(22) Filed: **Feb. 1, 2006**

(30) **Foreign Application Priority Data**

Aug. 1, 2005 (JP) ..... 2005-022331

(51) **LOC (8) Cl.** ..... **14-03**

(52) **U.S. Cl.** ..... **D14/126**

(58) **Field of Classification Search** ..... D14/125-134,  
D14/239, 371, 136, 374-377; 312/7.2; 348/836,  
348/838, 180, 184, 325, 739; 341/12; 248/917-924,  
248/465; 345/104, 133, 156, 168, 87, 173;  
720/605, 669, 600, 655; 369/99, 197; 455/344-347  
See application file for complete search history.

(56) **References Cited**

U.S. PATENT DOCUMENTS

- D382,259 S \* 8/1997 Nagai et al. .... D14/374
- D403,309 S 12/1998 Takemasa et al.
- D408,416 S \* 4/1999 Fenner et al. .... D14/239
- D417,659 S 12/1999 Takemasa
- D424,068 S 5/2000 Takemasa
- D436,087 S 1/2001 Takami et al.
- D457,864 S 5/2002 Bong et al.
- D458,236 S 6/2002 Bong et al.
- D475,356 S 6/2003 Niitsu
- D477,292 S 7/2003 Inoue et al.
- D485,539 S 1/2004 Goto et al.
- D488,784 S 4/2004 Takami et al.
- D491,151 S 6/2004 Nagao
- D497,146 S 10/2004 Asanuma et al.
- D505,403 S \* 5/2005 Kita ..... D14/134
- D509,198 S 9/2005 Ahn
- D510,919 S 10/2005 Kubota et al.
- D533,149 S \* 12/2006 Inoue ..... D14/126
- D533,848 S \* 12/2006 Lee et al. .... D14/126

- D540,278 S \* 4/2007 Ju et al. .... D14/126
- D540,282 S \* 4/2007 Kita ..... D14/126
- D540,755 S \* 4/2007 Asanuma et al. .... D14/126

FOREIGN PATENT DOCUMENTS

- JP D1175179 6/2003
- JP D1187337 10/2003
- JP D1203951 4/2004
- JP D1205736 5/2004
- JP D1213666 8/2004
- JP D1213667 8/2004
- JP D1221036 10/2004
- JP D1221037 10/2004
- JP D1221040 10/2004
- JP D1221062 10/2004
- JP D1234221 3/2005
- JP D1236447 4/2005
- JP D1237532 4/2005
- JP D1243670 6/2005
- JP D1244735 7/2005
- JP D1251044 9/2005

\* cited by examiner

*Primary Examiner*—Raphael Barkai

(74) *Attorney, Agent, or Firm*—Brinks Hofer Gilson & Lione

(57) **CLAIM**

I claim the ornamental design for a television receiver, as shown and described.

**DESCRIPTION**

FIG. 1 is a top perspective view of a television receiver of the present invention;

FIG. 2 is a front view thereof;

FIG. 3 is a top view thereof;

FIG. 4 is a first side view thereof;

FIG. 5 is a second side view thereof;

FIG. 6 is a bottom view thereof; and,

FIG. 7 is a rear view thereof.

**1 Claim, 3 Drawing Sheets**

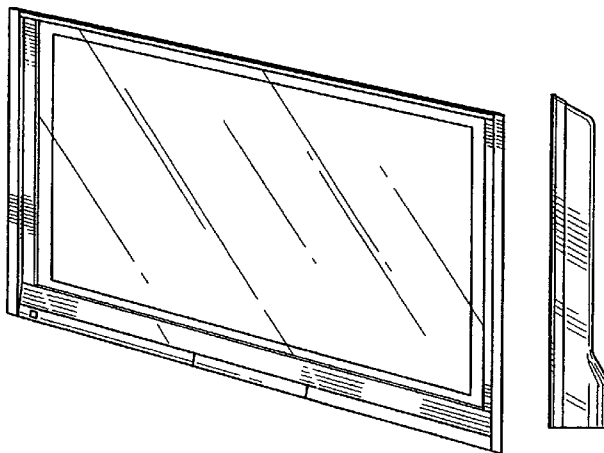


FIG.1

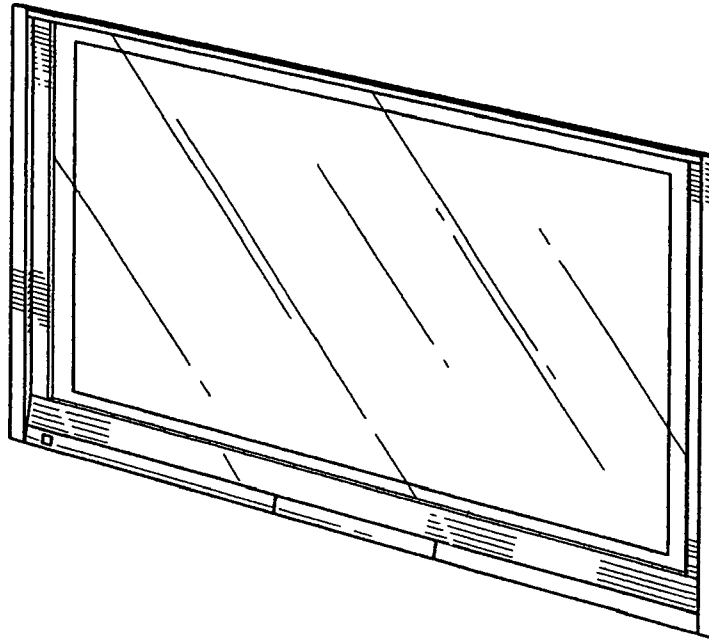


FIG.2

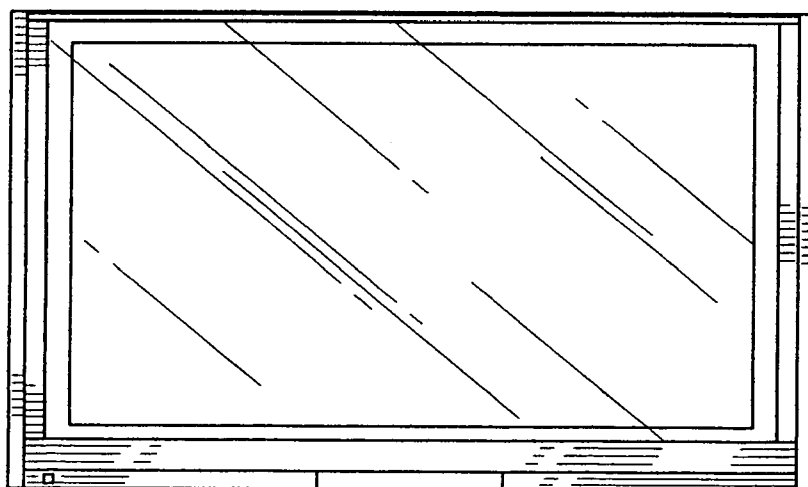


FIG.3

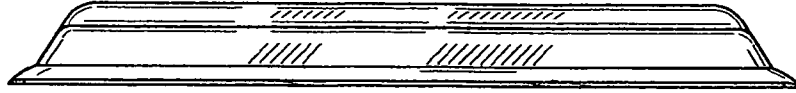


FIG.4



FIG.5

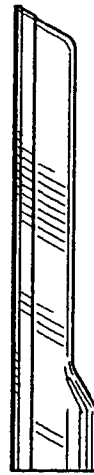
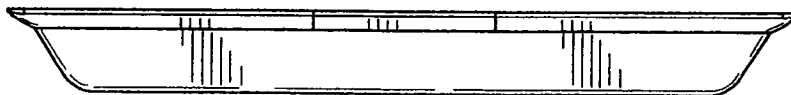


FIG.6



*FIG. 7*

