



US00D897400S

(12) **United States Design Patent**  
**Liu et al.**

(10) **Patent No.:** **US D897,400 S**  
(45) **Date of Patent:** **\*\* Sep. 29, 2020**

(54) **CAMERA**

(71) Applicant: **ARASHI VISION INC.**, Shenzhen (CN)

(72) Inventors: **Jingkang Liu**, Shenzhen (CN); **Wen Su**, Shenzhen (CN)

(73) Assignee: **ARASHI VISION INC.**, Shenzhen (CN)

(\*\*) Term: **15 Years**

(21) Appl. No.: **29/705,274**

(22) Filed: **Sep. 11, 2019**

(51) **LOC (12) Cl.** ..... **16-01**

(52) **U.S. Cl.**  
USPC ..... **D16/218**; D16/202

(58) **Field of Classification Search**  
USPC ..... D16/200, 202–206, 208, 209, 218, 219;  
348/294, 373–376; 359/826; 396/6, 529,  
396/535, 539–541  
CPC ..... G03B 15/03; G03B 17/02; G03B 17/04;  
G03B 17/56; G03B 19/04; H04N 5/2251;  
H04N 5/2252; H04N 5/2253; H04N  
5/2254; H04N 2101/00

See application file for complete search history.

(56) **References Cited**

**U.S. PATENT DOCUMENTS**

D480,741 S \* 10/2003 Berger ..... D16/202  
D523,459 S \* 6/2006 Matsuda ..... D16/202

D529,062 S \* 9/2006 Matsuda ..... D16/202  
D531,199 S \* 10/2006 Matsuda ..... D16/202  
D586,835 S \* 2/2009 Koza ..... D16/202  
D659,733 S \* 5/2012 Chen ..... D16/202  
D750,686 S \* 3/2016 Chen ..... D16/218  
D775,254 S \* 12/2016 Parfitt ..... D16/202  
D777,236 S \* 1/2017 Mai ..... D16/218  
D855,675 S \* 8/2019 Luo ..... D16/202  
D867,420 S \* 11/2019 Zhang ..... D16/202  
D870,183 S \* 12/2019 Tsukamoto ..... D16/218  
D872,162 S \* 1/2020 Gao ..... D16/218

\* cited by examiner

*Primary Examiner* — Ramzi S Almatrahi

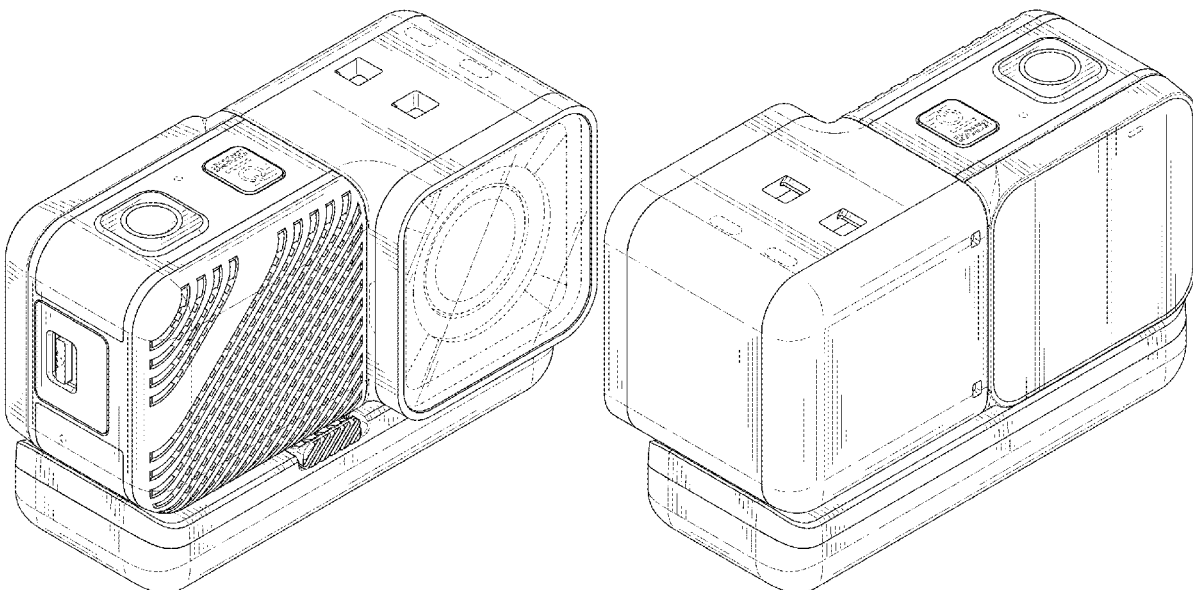
(57) **CLAIM**

The ornamental design for a camera, as shown and described.

**DESCRIPTION**

FIG. 1 is a top, front and left side perspective view of a camera showing our new design;  
FIG. 3 is a front elevation view thereof;  
FIG. 4 is a rear elevation view thereof;  
FIG. 5 is a left side elevation view thereof;  
FIG. 6 is a right side elevation view thereof;  
FIG. 7 is a top plan view thereof; and,  
FIG. 8 is a bottom plan view thereof.  
The broken lines in the drawings illustrate portions of the camera which form no part of the claimed design.

**1 Claim, 8 Drawing Sheets**



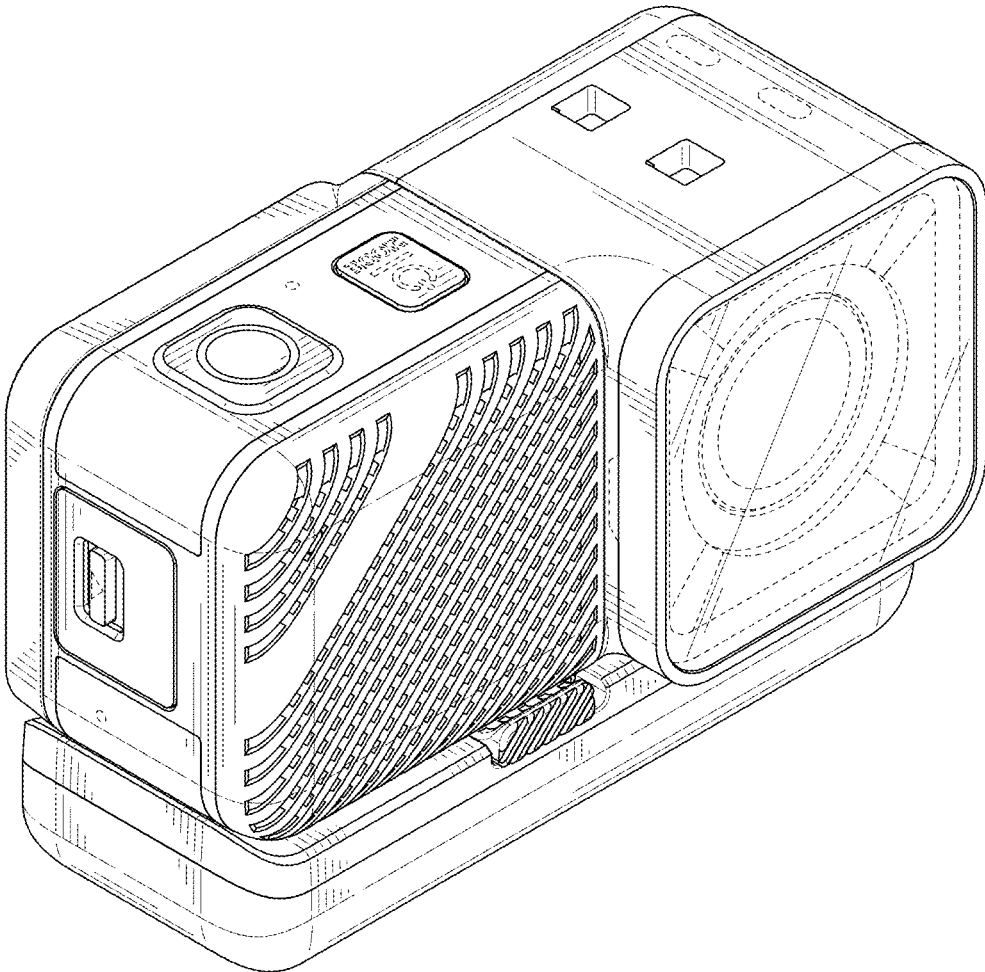


FIG. 1

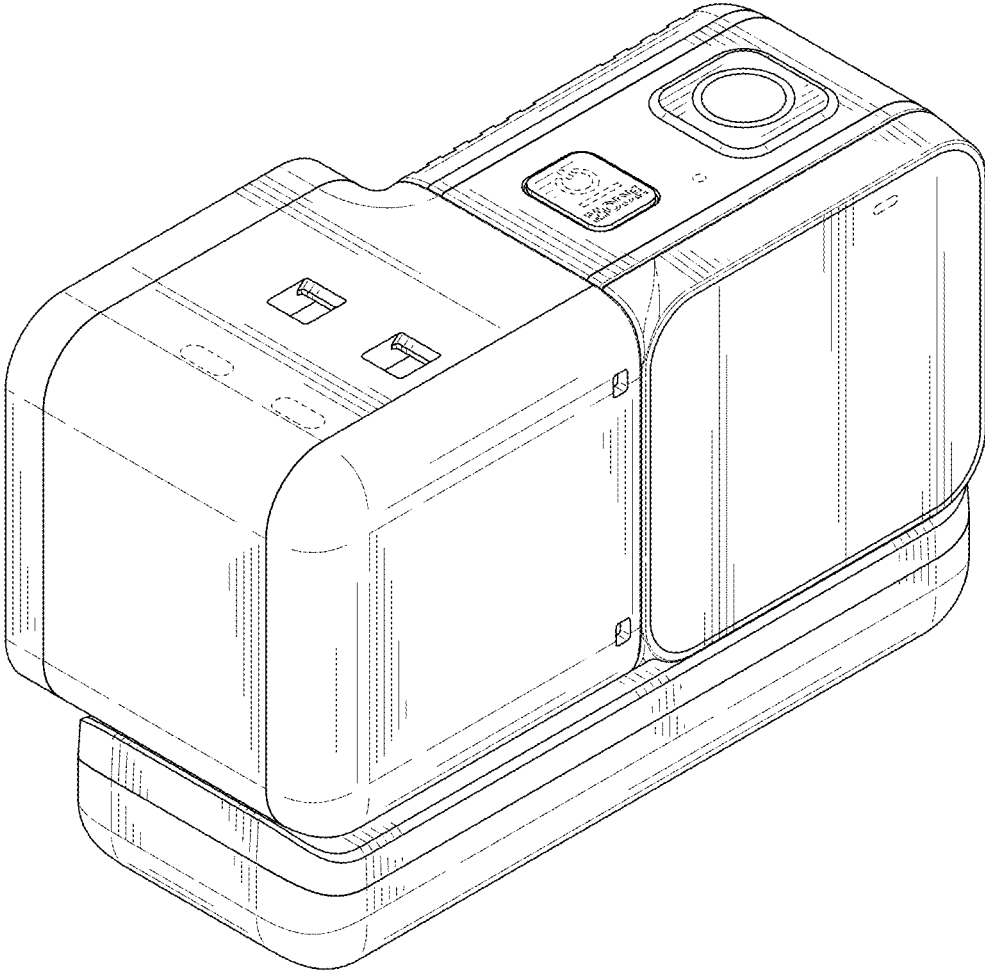


FIG. 2

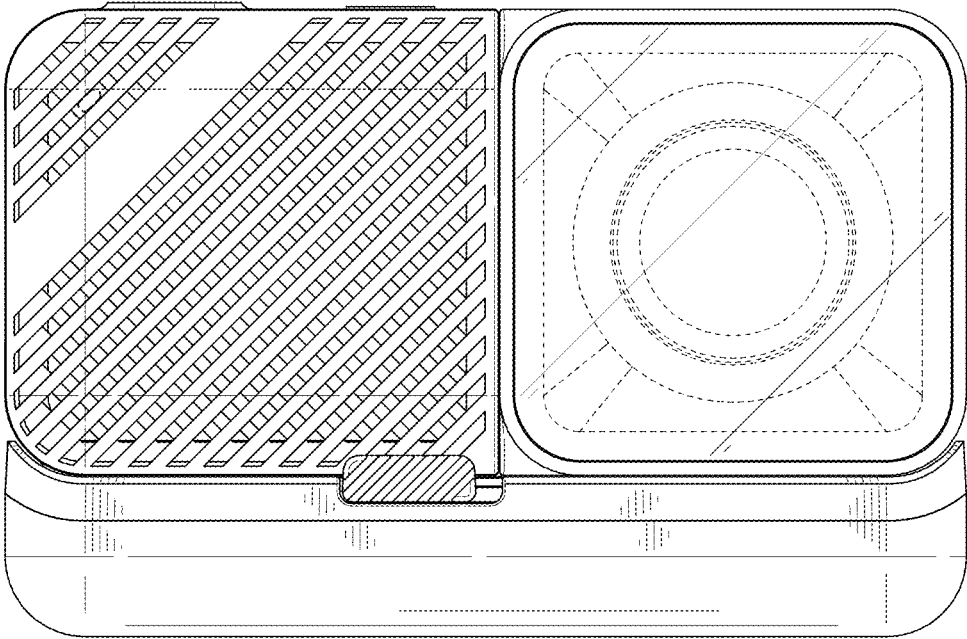


FIG. 3

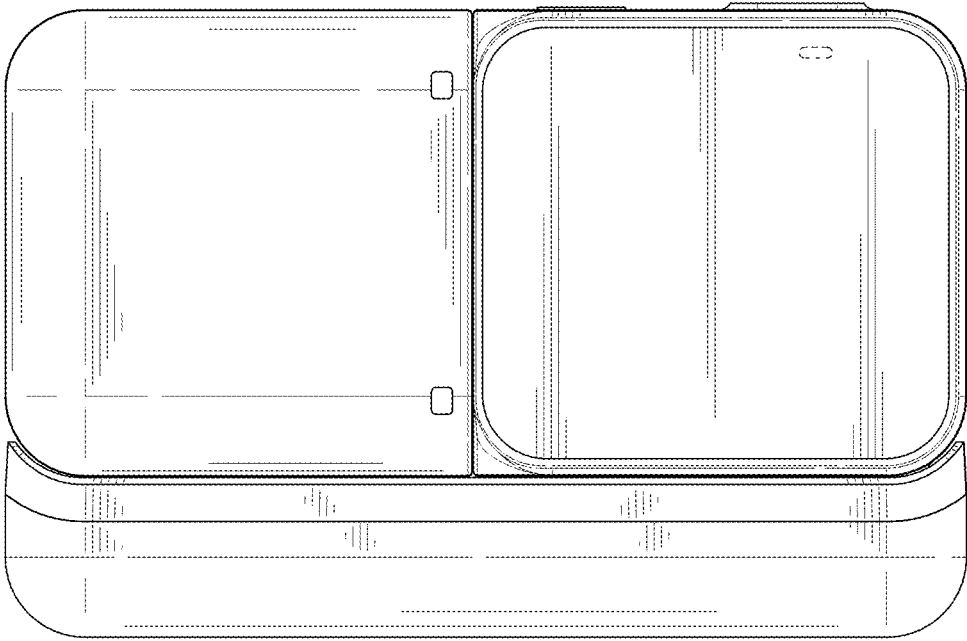


FIG. 4

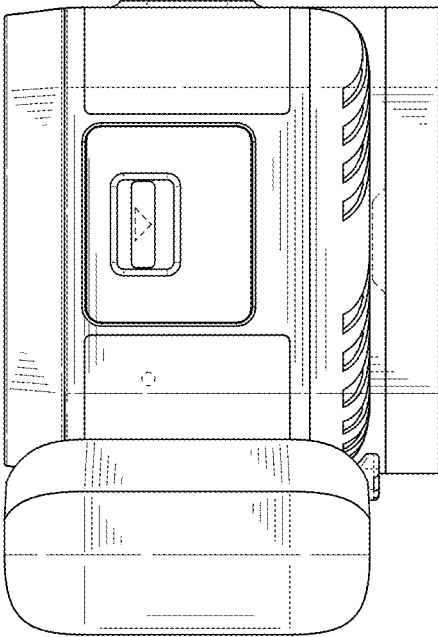


FIG. 5

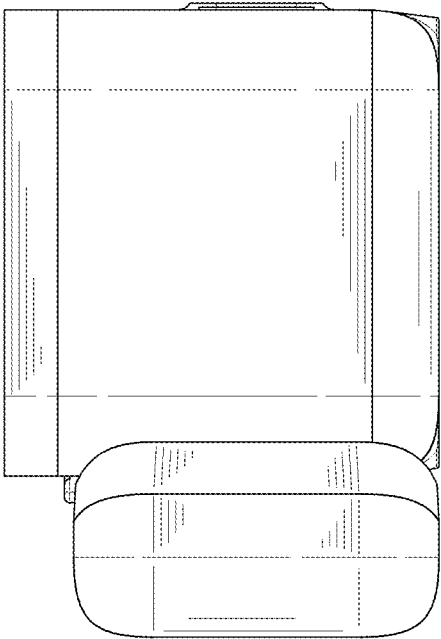


FIG. 6

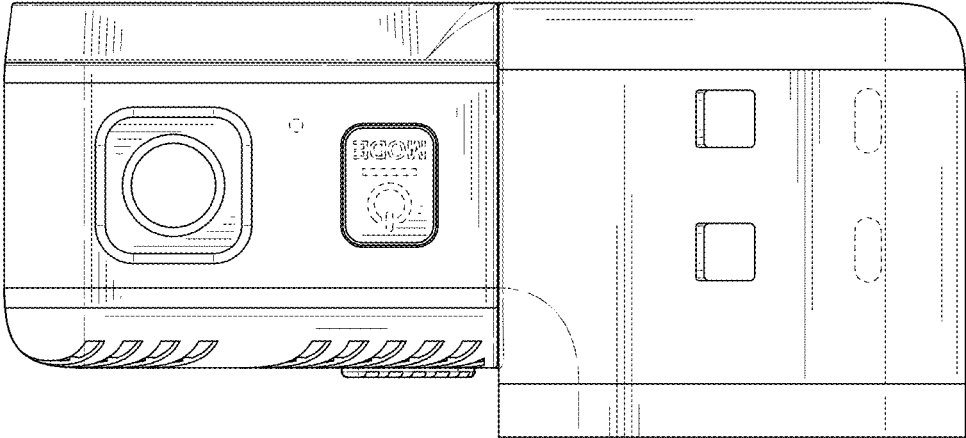


FIG. 7



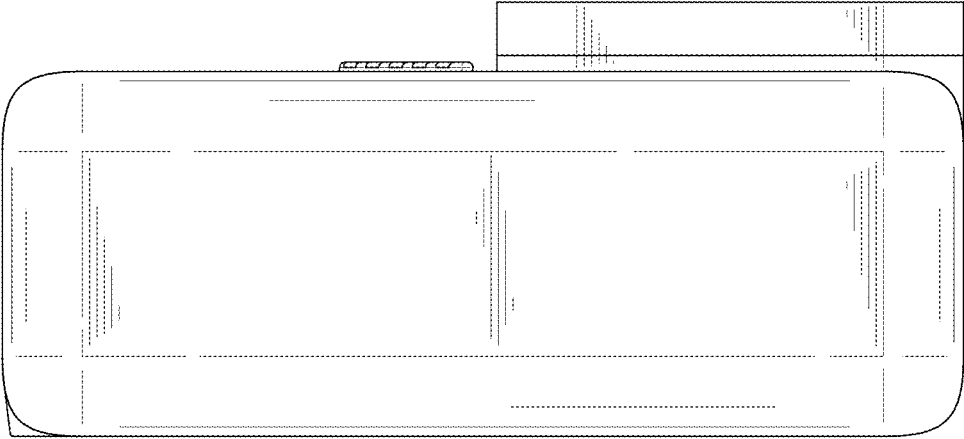


FIG. 8