



US00D946517S

(12) **United States Design Patent**
Zhang

(10) **Patent No.:** **US D946,517 S**

(45) **Date of Patent:** **** Mar. 22, 2022**

(54) **EARPHONES WITH CHARGING CASE**

&pd_rd_w=UJLZO&pd_rd_wg=JR28s&ref_=sbx_be_s_sparkle_lsi4d_asin_2_title&th=1>. (Year: 2020)*

(71) Applicant: **SHENZHEN HONGRUNFA INDUSTRIAL CO., LTD**, Shenzhen (CN)

Primary Examiner — Rosemary K Tarcza

(72) Inventor: **Hong Zhang**, Shenzhen (CN)

(57) **CLAIM**

The ornamental design for earphones with charging case, as shown and described.

(73) Assignee: **SHENZHEN HONGRUNFA INDUSTRIAL CO., LTD**, Shenzhen (CN)

DESCRIPTION

(**) Term: **15 Years**

FIG. 1 is a perspective view of a charging case of earphones with charging case in an open configuration, shown separately in order to disclose aspects of the design that are not visible when combined;

(21) Appl. No.: **29/759,752**

FIG. 2 is another perspective view thereof;

(22) Filed: **Nov. 25, 2020**

FIG. 3 is a front elevational view thereof;

(51) **LOC (13) Cl.** **13-02**

FIG. 4 is a rear elevational view thereof;

(52) **U.S. Cl.**

FIG. 5 is a left side elevational view thereof;

USPC **D13/108**; D14/223; D3/294

FIG. 6 is a right side elevational view thereof;

(58) **Field of Classification Search**

FIG. 7 is a top plan view thereof;

USPC D13/107-110, 118-119, 184, 199;

FIG. 8 is a bottom plan view thereof;

D14/251, 253, 432, 434, 223, 205;

FIG. 9 is a perspective view of earphones of the earphones with charging case, shown separately in order to disclose aspects of the design that are not visible when combined;

D24/174; D3/208, 218, 273, 274, 294

(Continued)

FIG. 10 is another perspective view thereof;

(56) **References Cited**

FIG. 11 is a front elevational view thereof;

U.S. PATENT DOCUMENTS

FIG. 12 is a rear elevational view thereof;

D806,388 S * 1/2018 Akana D3/294

FIG. 13 is a left side elevational view thereof;

D841,580 S * 2/2019 Bao D13/108

FIG. 14 is a right side elevational view thereof;

(Continued)

FIG. 15 is a top plan view thereof;

OTHER PUBLICATIONS

FIG. 16 is a bottom plan view thereof;

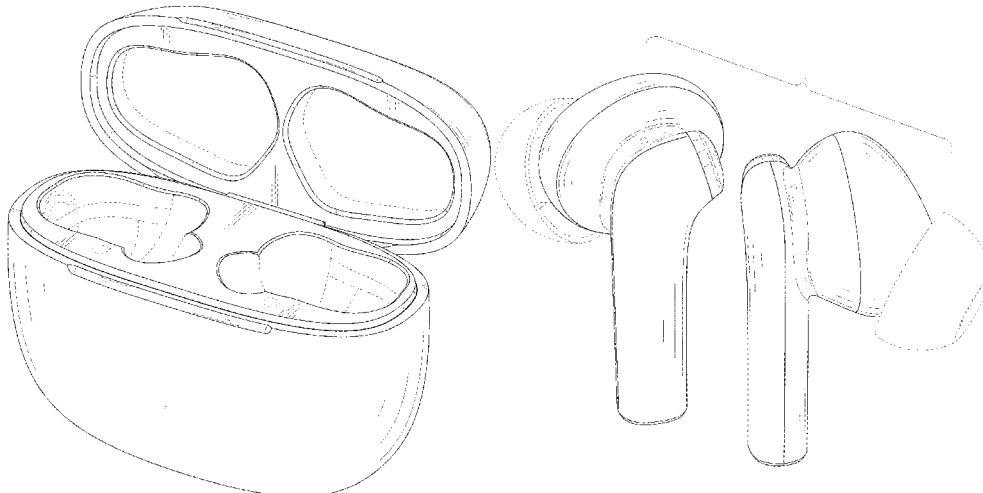
“EarFun Air True Wireless Earbuds with 4 Mics, Bluetooth 5.0 Earbuds Touch Control, USB-C Quick Charge with Wireless Charging, Deep Bass, in-Ear Detection Headphones, 35H Playtime (Black)”, Amazon.com, first available on Jun. 1, 2020. Retrieved from the internet: <https://www.amazon.com/dp/B08B4QSSPS/ref=redir_mobile_desktop?_encoding=UTF8&aaxitk=8091a0140acb1bcc2faf86e5c353e962&hsa_cr_id=1325171140601&pd_rd_plhdr=t&pd_rd_r=d6a44139-ff34-4da4-845f-65244e23d33e>

FIG. 17 is a perspective view of the earphones with charging case, shown in use with the earphones received in the charging case; and,

FIG. 18 is a perspective view of the charging case of the earphones with charging case in a closed configuration, shown separately in order to disclose aspects of the design that are not visible when combined.

The broken lines in the drawings depict portions of the earphones with charging case that form no part of the claimed design.

1 Claim, 18 Drawing Sheets



(58) **Field of Classification Search**

CPC H02J 7/025; H02J 7/005; H02J 7/0026;
 H02J 7/0042; H02J 7/0044; H02J 7/0045;
 H02J 7/0013; H02J 7/0003; H02J 7/02;
 H02J 50/10; H02J 50/12; A45C
 2011/001; A45C 2011/002; A45C
 2011/003; H04R 1/1025; H04R 1/1016
 See application file for complete search history.

(56) **References Cited**

U.S. PATENT DOCUMENTS

D881,572 S * 4/2020 Wang D3/294
 D887,351 S 6/2020 Bonahoom et al.
 D890,725 S 7/2020 Liu
 D893,184 S * 8/2020 Liu D3/294
 D897,997 S * 10/2020 Zhang D14/223
 D901,377 S * 11/2020 Zhou D13/108
 D902,588 S * 11/2020 Zhang D3/294
 D904,023 S * 12/2020 Wang D3/294
 D904,025 S * 12/2020 Ma D3/295
 D906,299 S * 12/2020 Luo D14/223

D907,009 S * 1/2021 Akana D14/223
 D911,027 S * 2/2021 Liang D3/274
 D911,944 S * 3/2021 Gao D13/108
 D912,622 S * 3/2021 Zhou D13/108
 D914,591 S * 3/2021 Ganapathy D13/107
 D918,138 S * 5/2021 Ma D13/108
 D922,946 S * 6/2021 Chen D13/108
 D923,609 S * 6/2021 Li D14/223
 D924,209 S * 7/2021 Wu D14/223
 D925,498 S * 7/2021 Lin D14/223
 D925,499 S * 7/2021 Xie D14/223
 D927,417 S * 8/2021 Sretovic D13/108
 D927,465 S * 8/2021 Wang D14/223
 D929,374 S * 8/2021 Akana D14/223
 D929,380 S * 8/2021 Park D14/223
 D929,969 S * 9/2021 Ding D14/223
 D929,971 S * 9/2021 Zhou D14/223
 D929,972 S * 9/2021 Akana D14/223
 D931,258 S * 9/2021 Ding D14/223
 D931,838 S * 9/2021 Deng D14/223
 2021/0006889 A1 * 1/2021 Geng H02J 7/0045
 2021/0160607 A1 * 5/2021 Liu H04B 1/3888

* cited by examiner

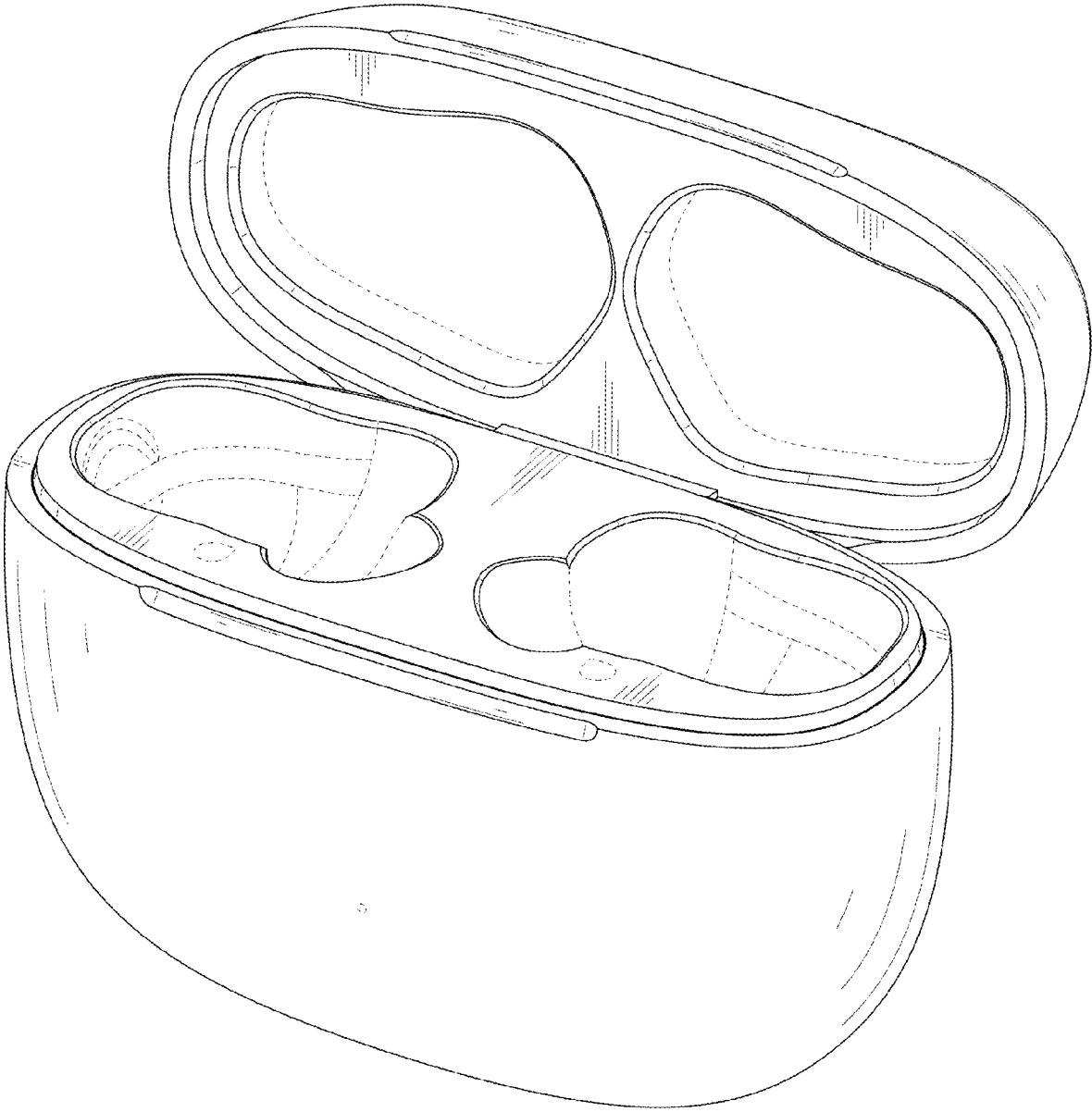


FIG. 1

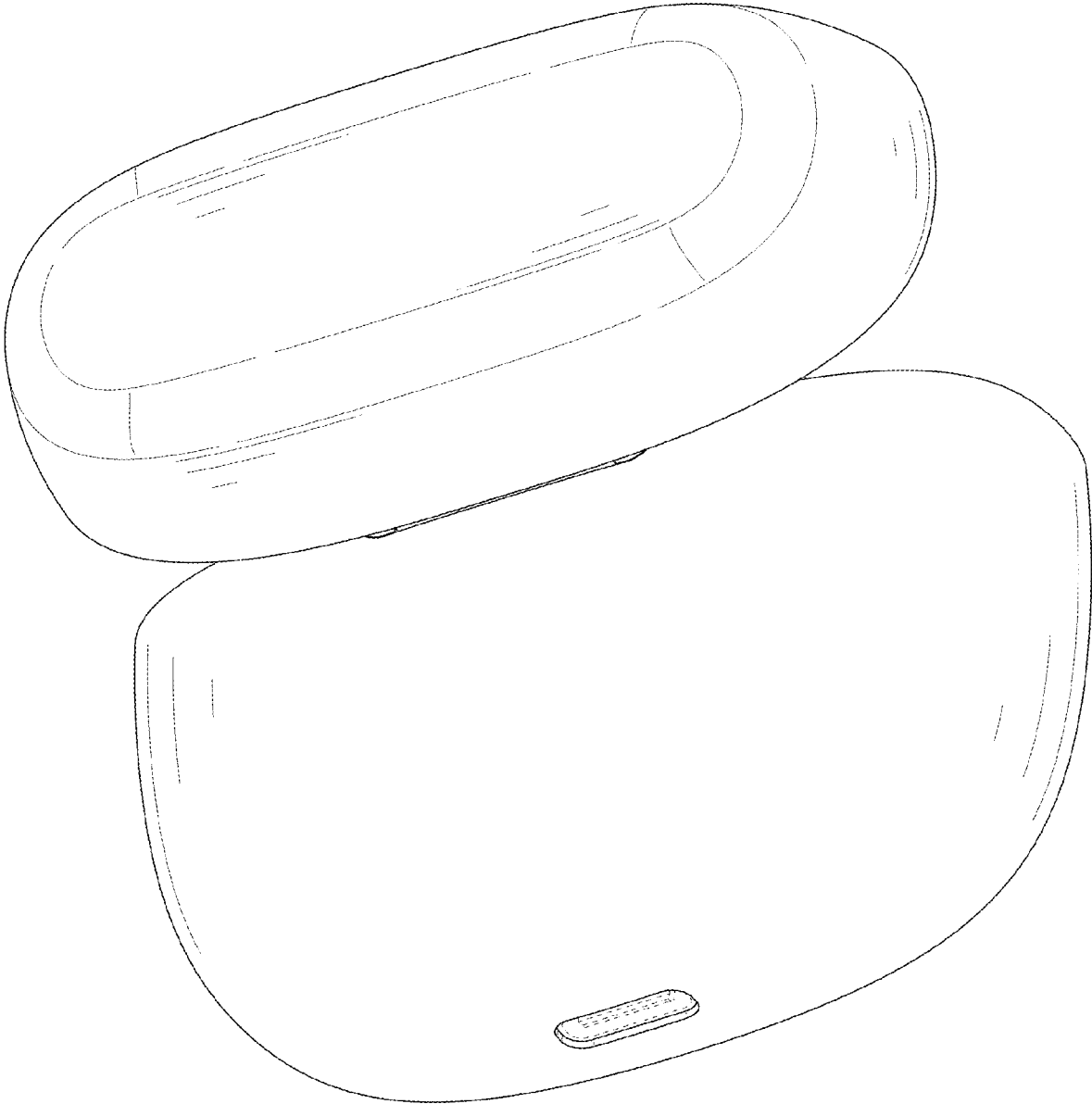


FIG. 2

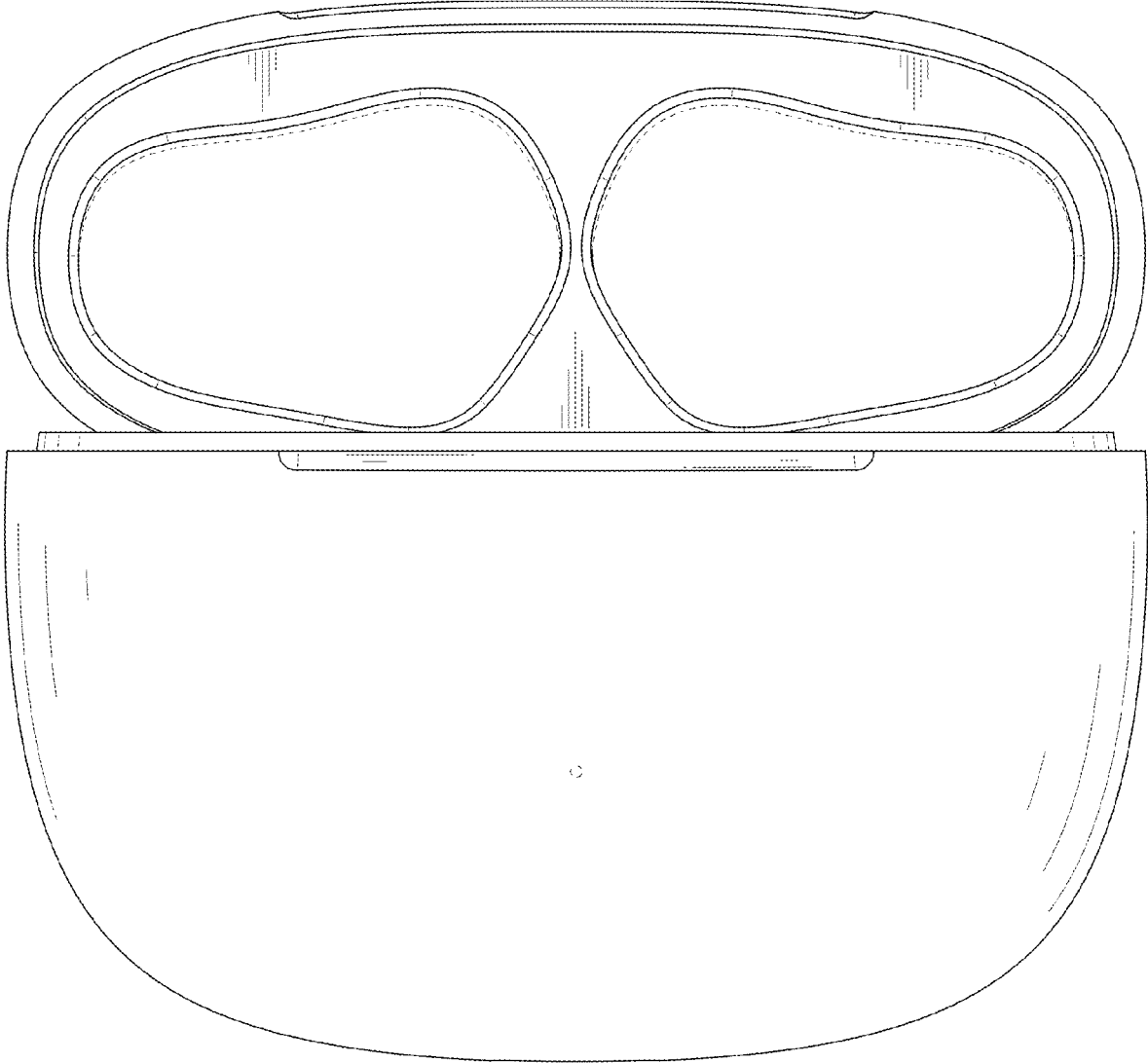


FIG. 3

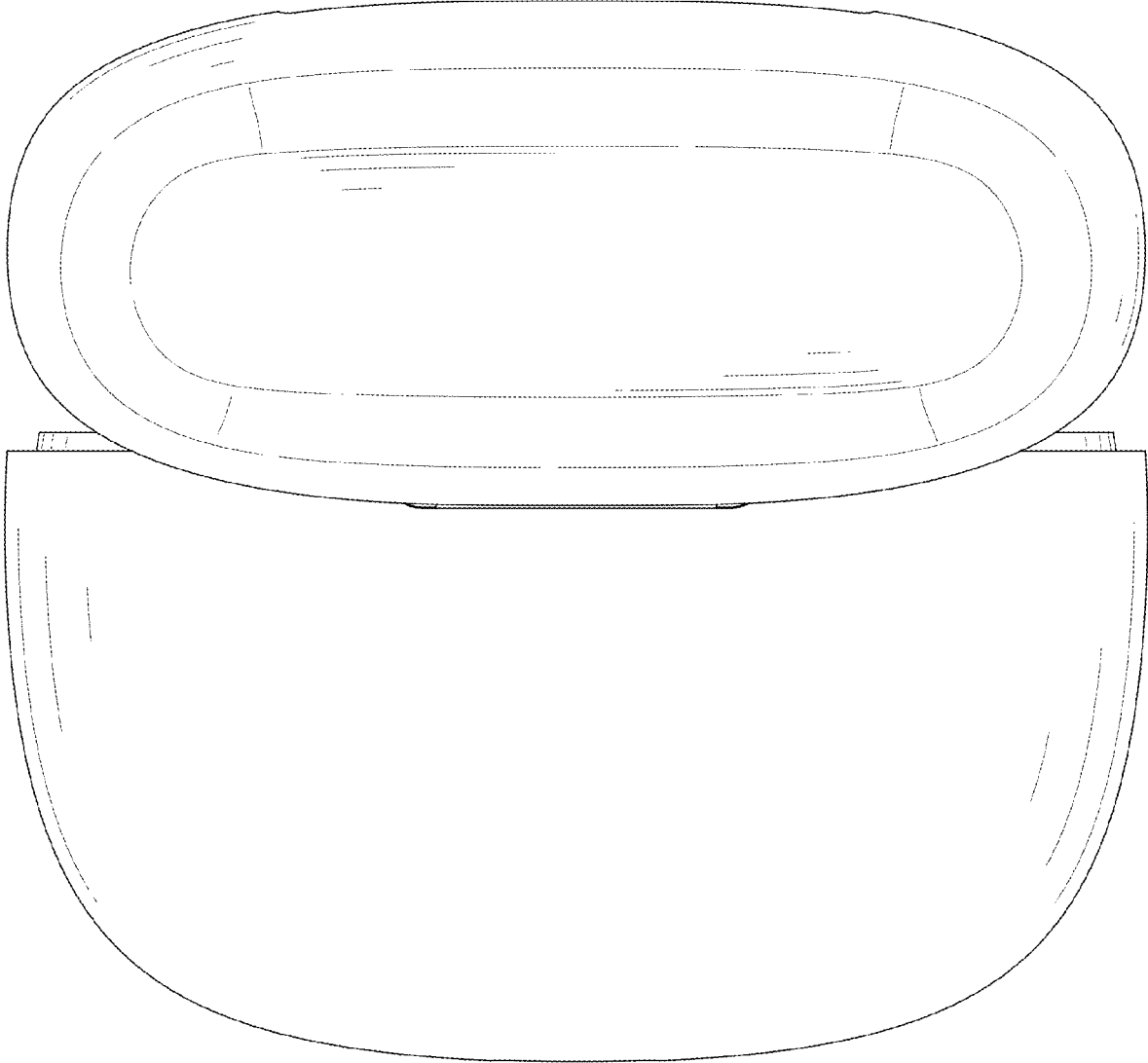


FIG. 4

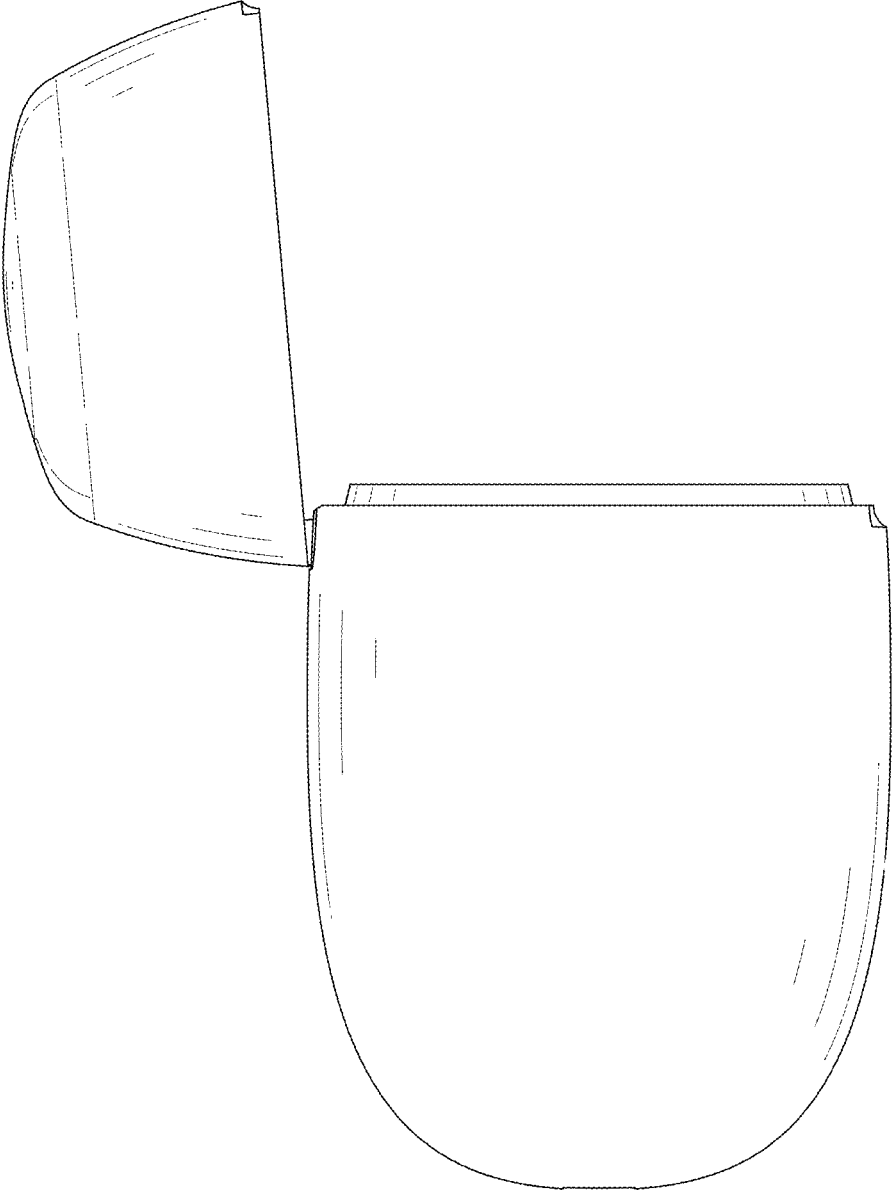


FIG. 5

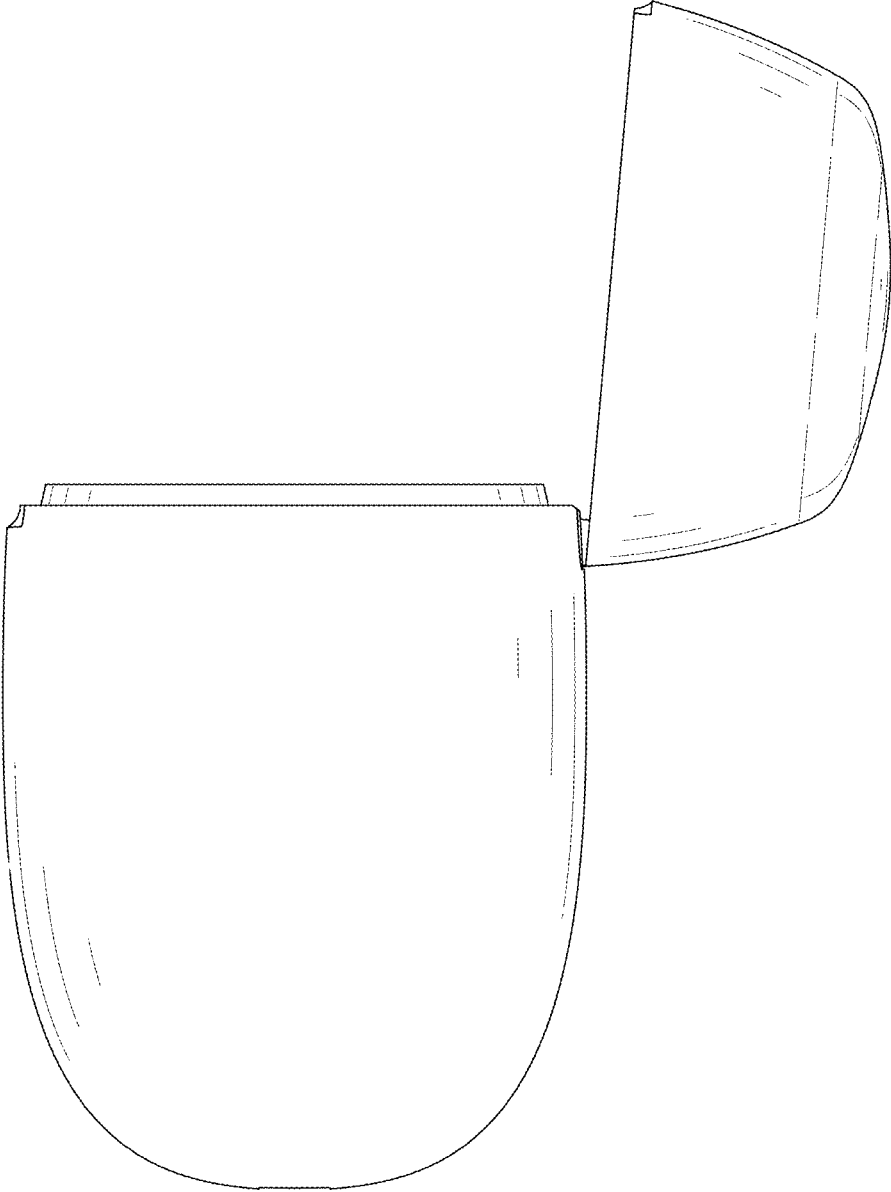


FIG. 6

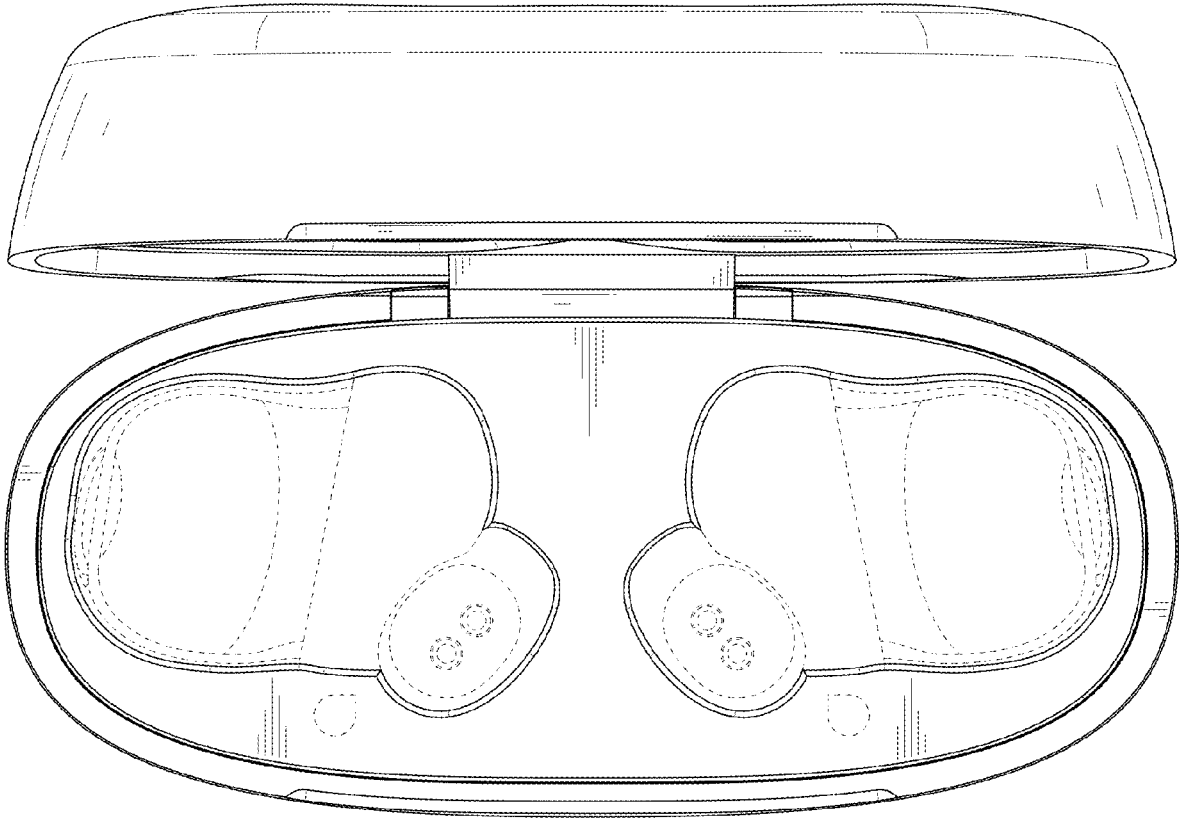


FIG. 7

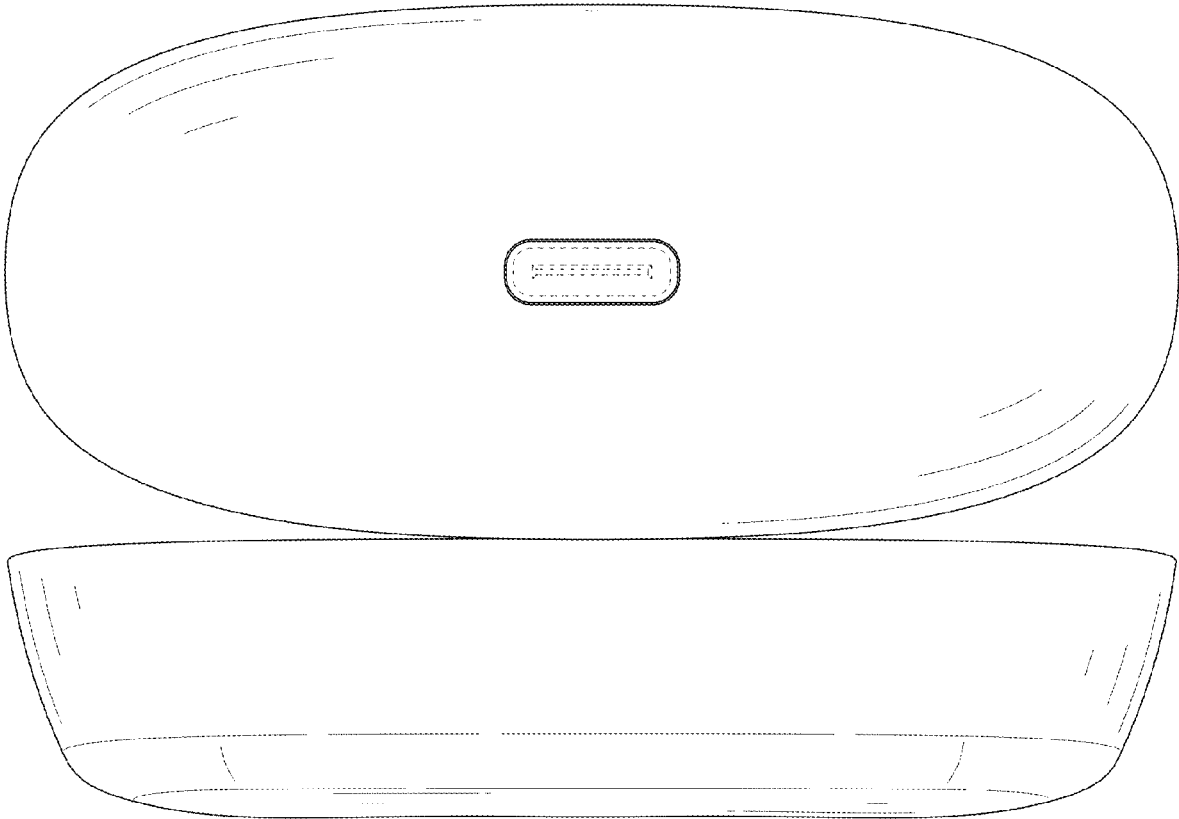


FIG. 8

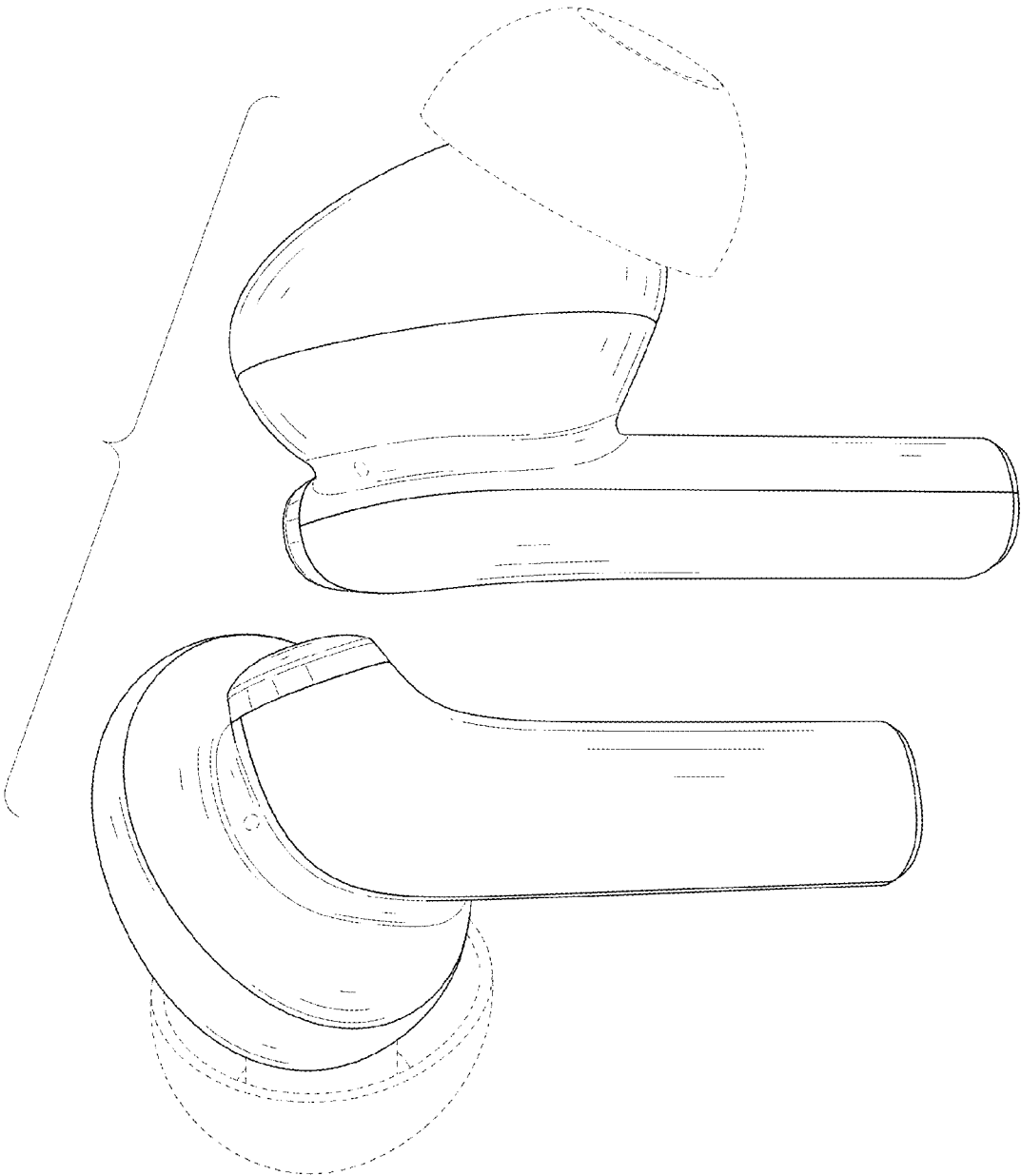


FIG. 9

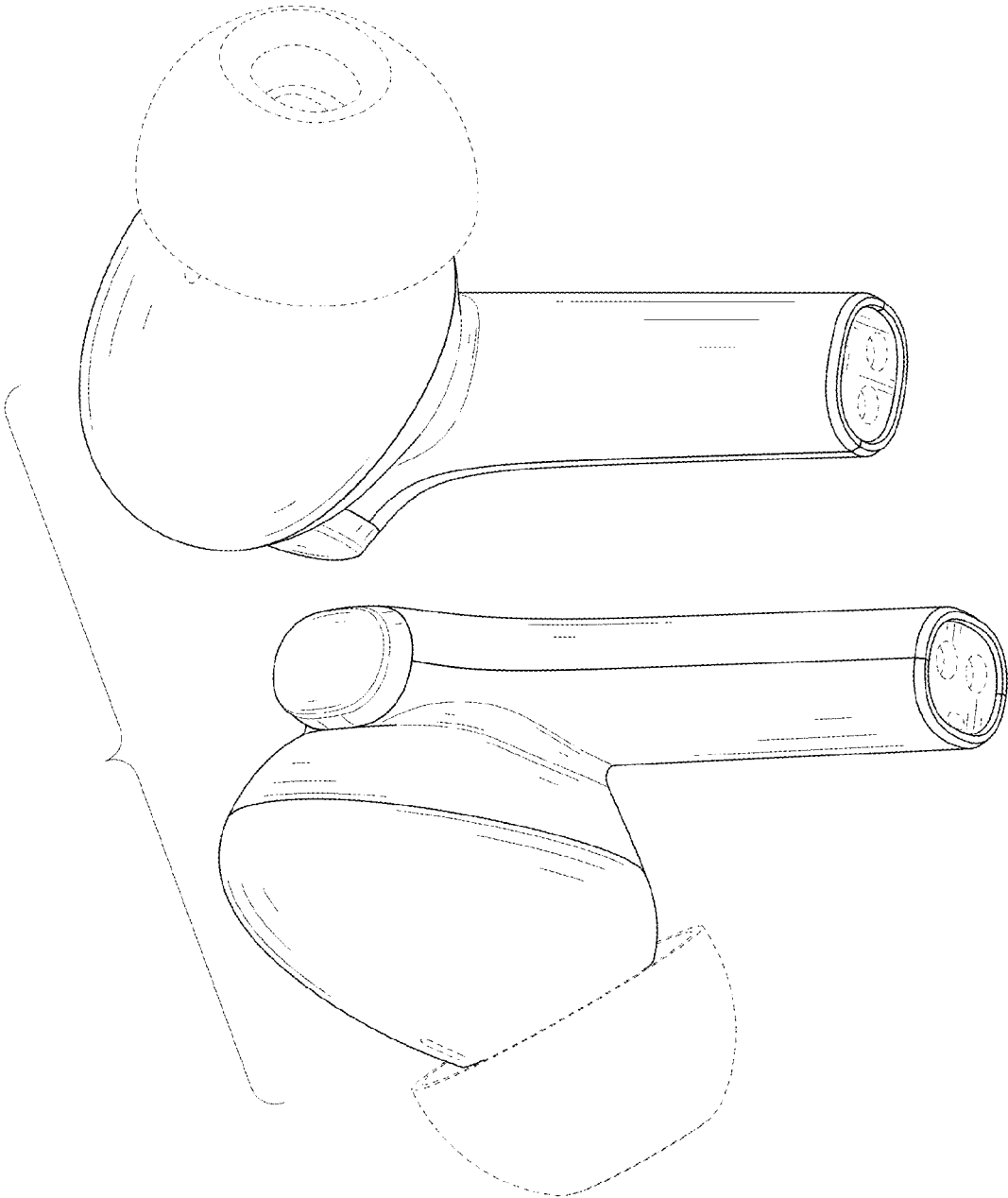


FIG. 10

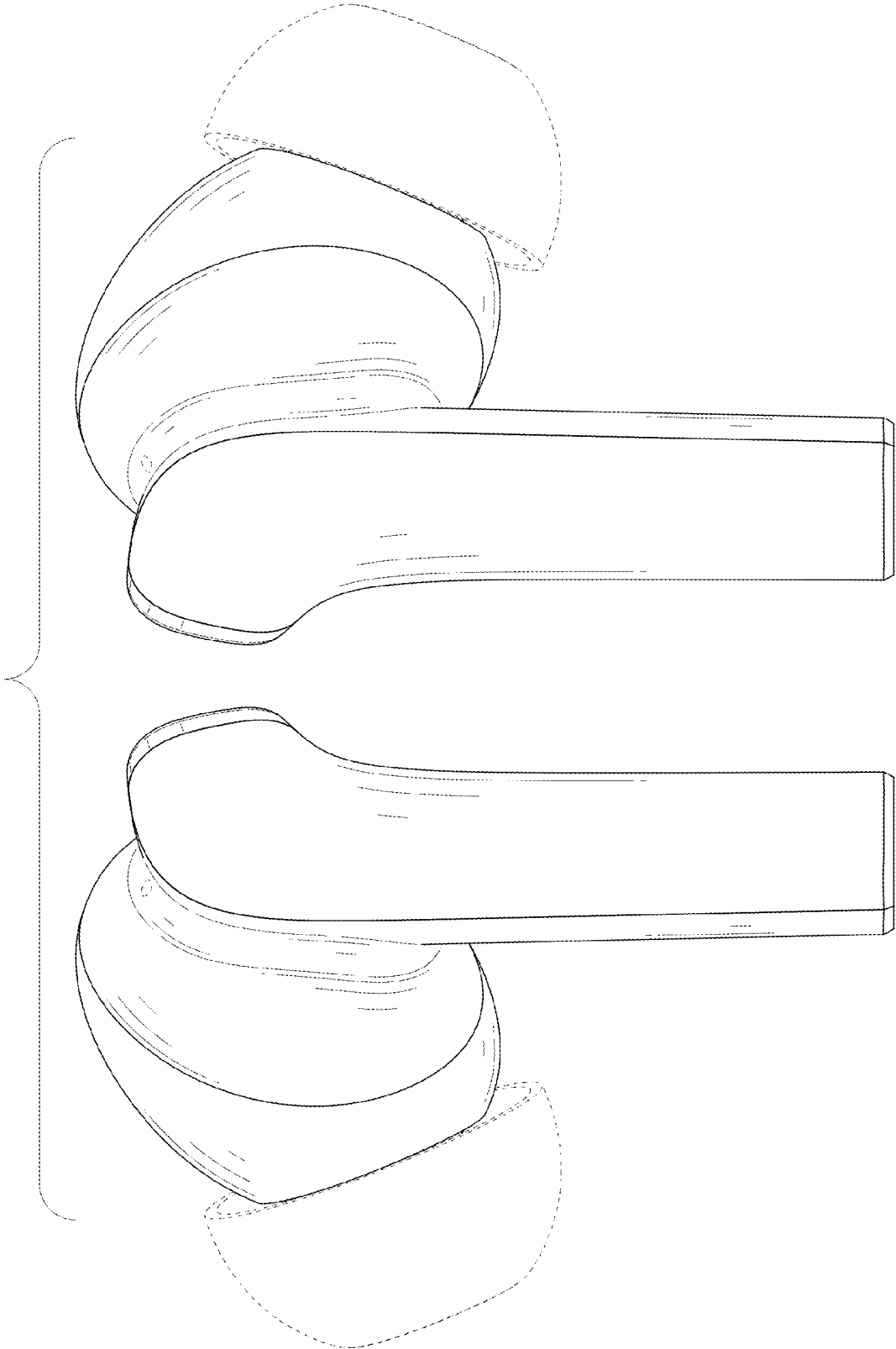


FIG. 11

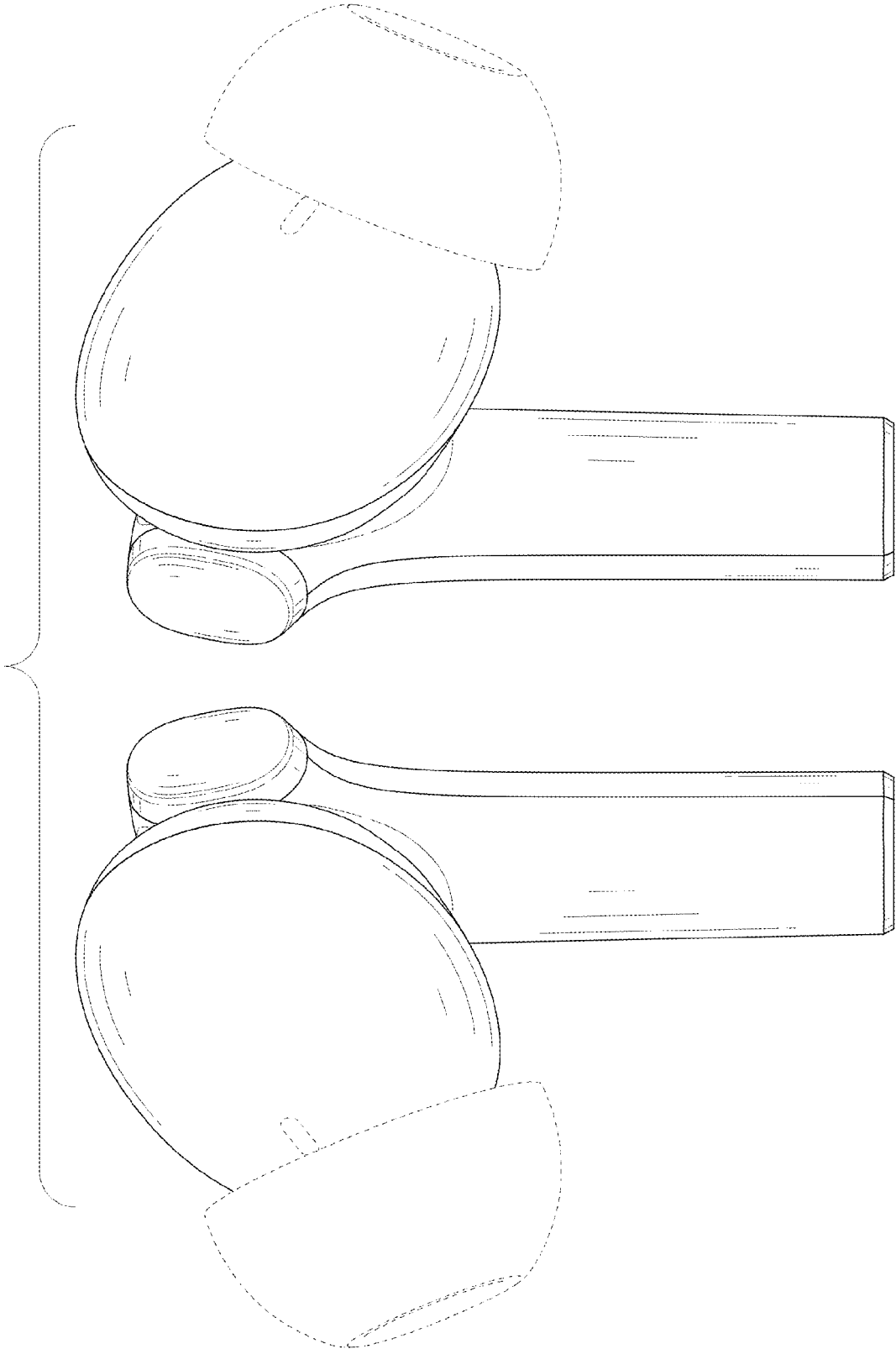


FIG. 12

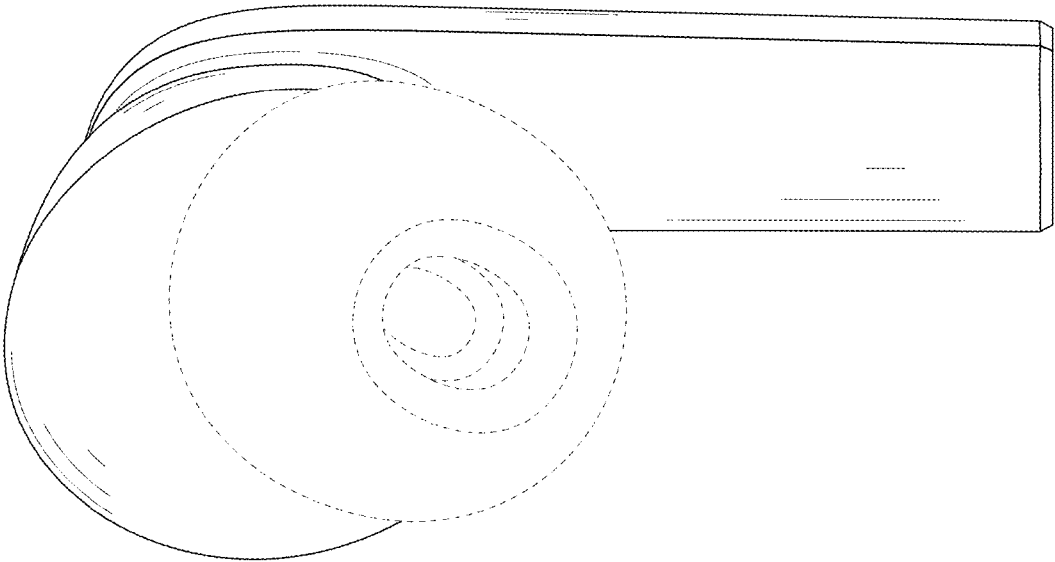


FIG. 13

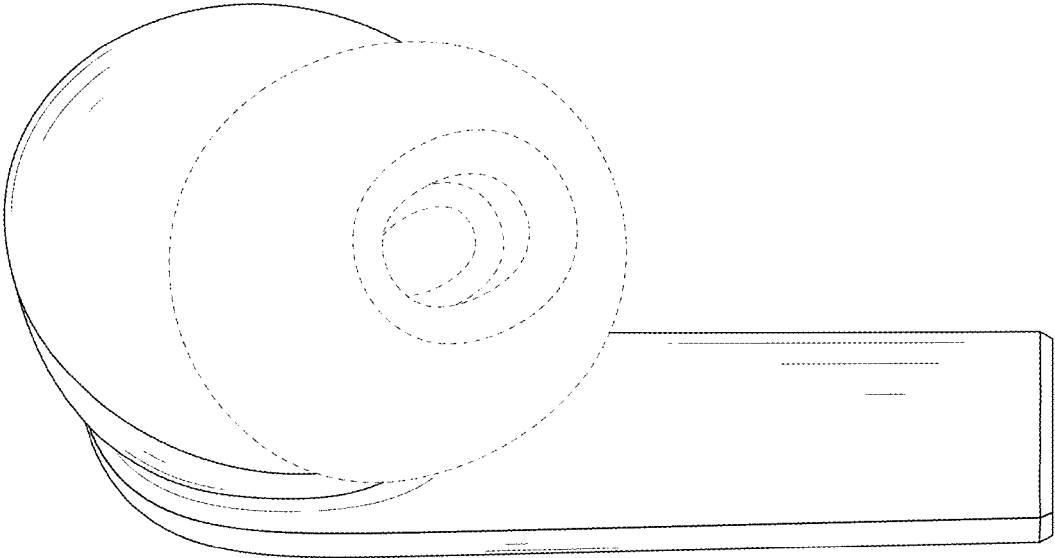


FIG. 14

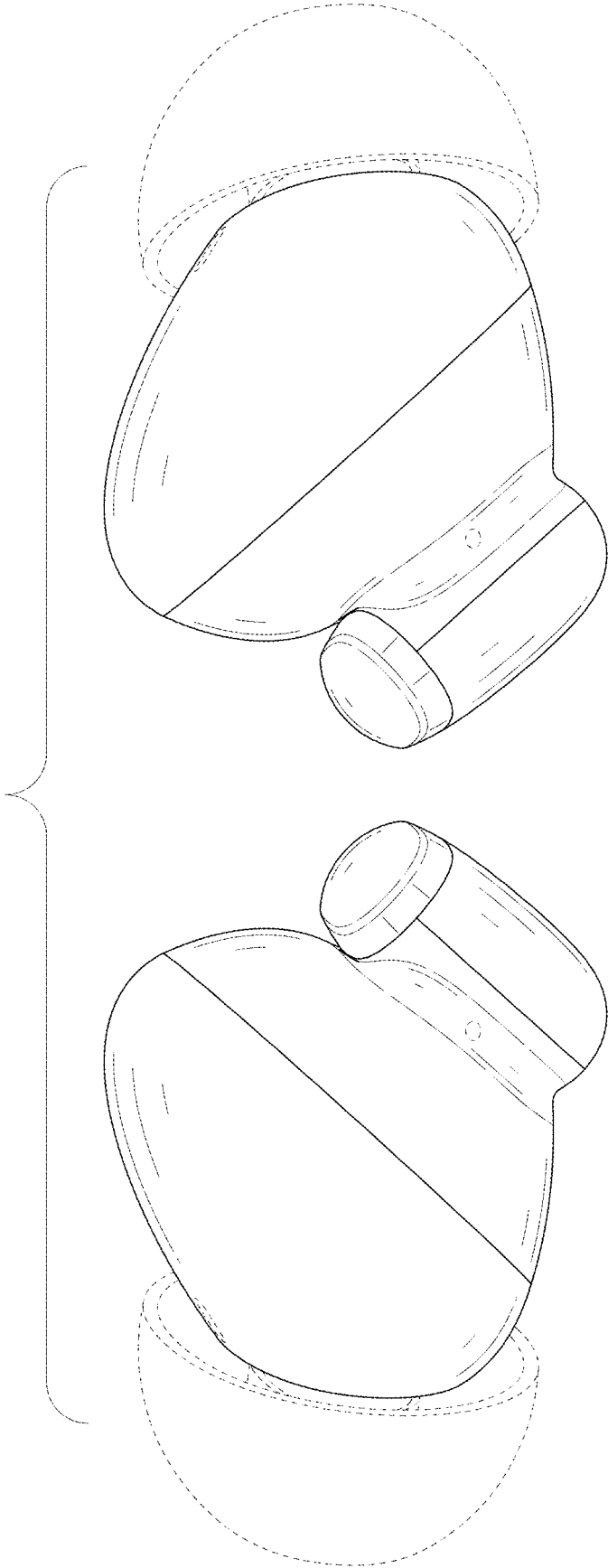


FIG. 15

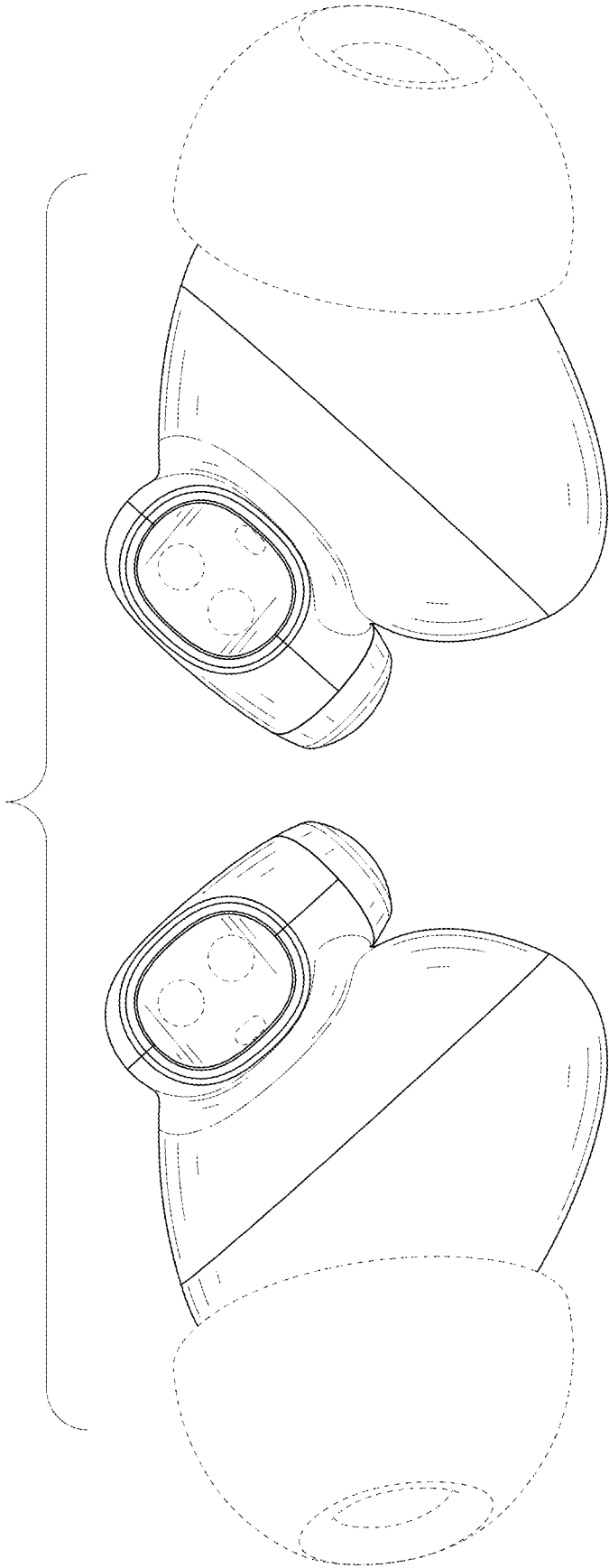


FIG. 16

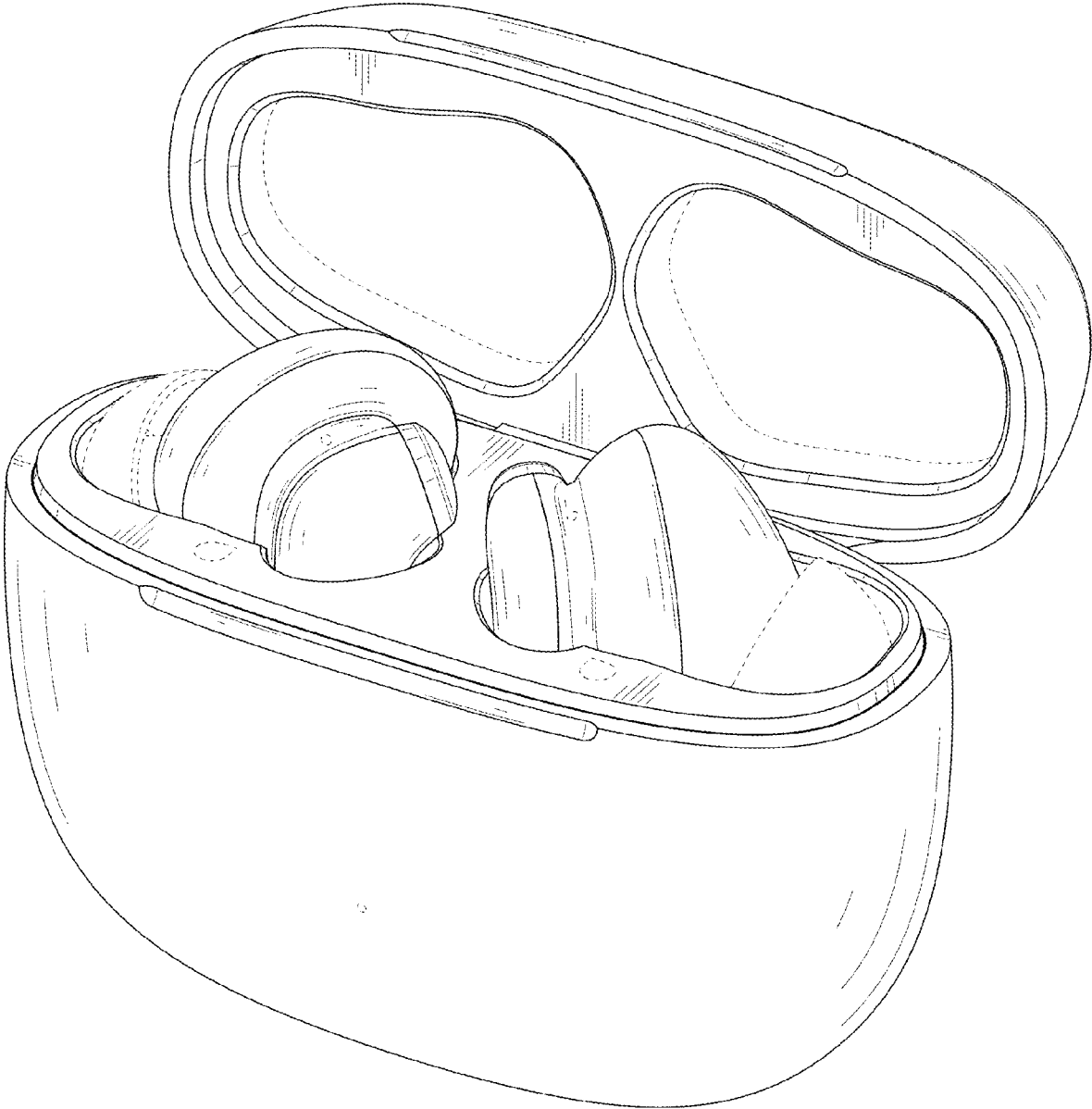


FIG. 17

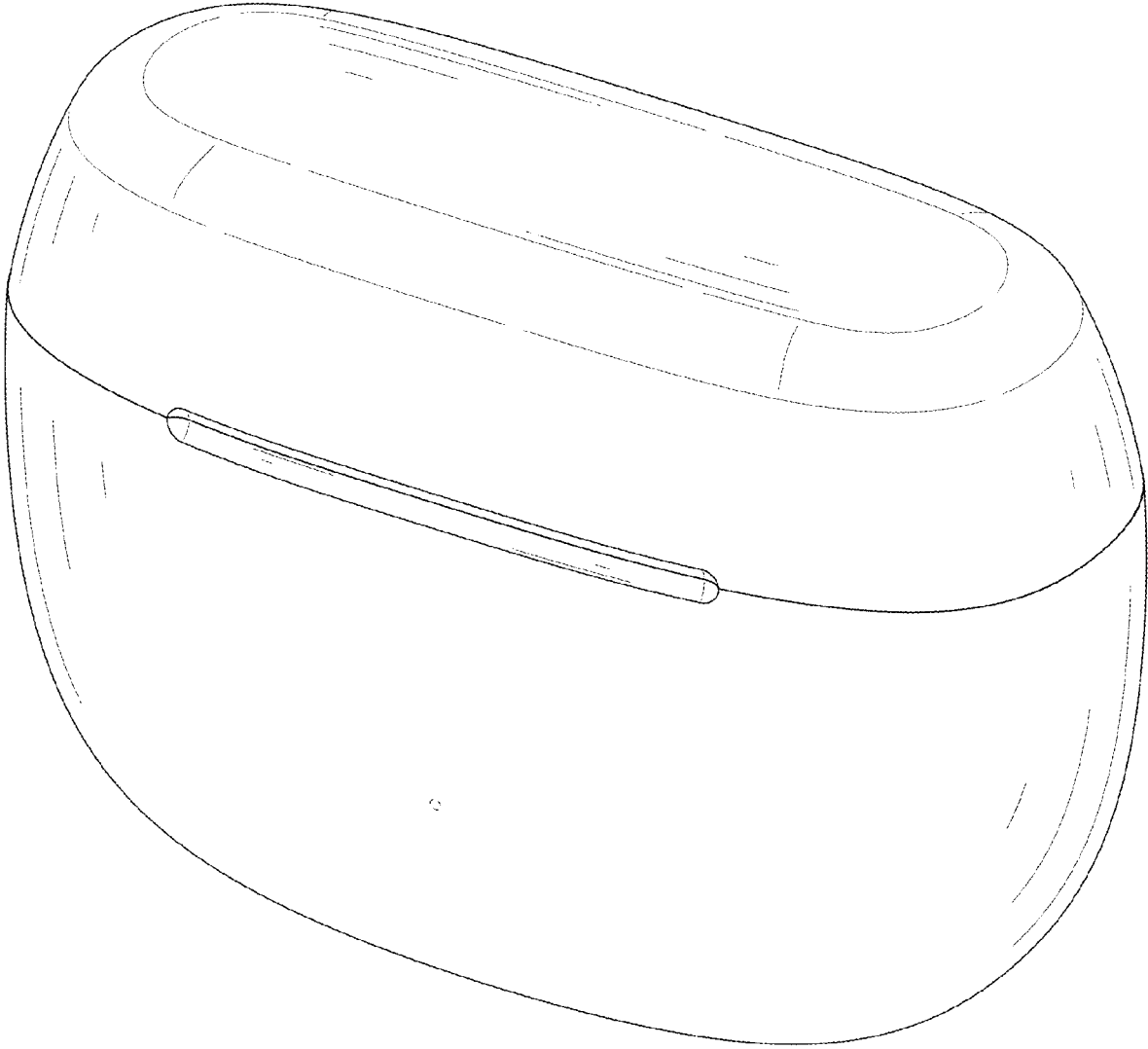


FIG. 18