



US00D573051S

(12) **United States Design Patent**
Alden et al.

(10) **Patent No.:** **US D573,051 S**

(45) **Date of Patent:** **** Jul. 15, 2008**

(54) **DIAGNOSTIC ANALYZER**

(75) Inventors: **Tor Alden**, Basking Ridge, NJ (US);
Brian Bloch, North Plainfield, NJ (US);
Kenneth Galano, Wrentham, MA (US);
Erik Klemm, Newton, NJ (US); **David**
Laporta, Matawan, NJ (US); **Scott**
Mathis, Ridgefield, CT (US)

5,051,238 A	9/1991	Umetsu et al.	
D320,450 S	10/1991	Hicaro, Jr. et al.	
5,089,229 A	2/1992	Vettest	
D334,237 S	3/1993	Collister et al.	
D400,673 S *	11/1998	Kheiri et al.	D24/107
D489,816 S	5/2004	Ross	
7,351,574 B2 *	4/2008	Vent	422/65
7,368,081 B2 *	5/2008	Thiem	422/63

(73) Assignee: **Siemens Healthcare Diagnostics Inc.**,
Tarrytown, NY (US)

* cited by examiner

Primary Examiner—Antoine D Davis

(74) *Attorney, Agent, or Firm*—Noam R. Pollack, Esq.

(**) Term: **14 Years**

(21) Appl. No.: **29/280,648**

(57) **CLAIM**

(22) Filed: **Jun. 4, 2007**

The ornamental design for a diagnostic analyzer, as shown and described.

(51) **LOC (8) Cl.** **10-04**

DESCRIPTION

(52) **U.S. Cl.** **D10/81**; D24/107; D24/186;
D24/232

FIG. 1 is a front perspective view of a diagnostic analyzer showing our new design;

(58) **Field of Classification Search** D10/46,
D10/81; D24/107, 186, 232; 422/63–68.1,
422/99, 100; 423/43; 356/244, 246

FIG. 2 is a top view thereof;

FIG. 3 is a front view thereof;

See application file for complete search history.

FIG. 4 is a right side view thereof;

FIG. 5 is a left side view thereof; and,

FIG. 6 is a rear view thereof.

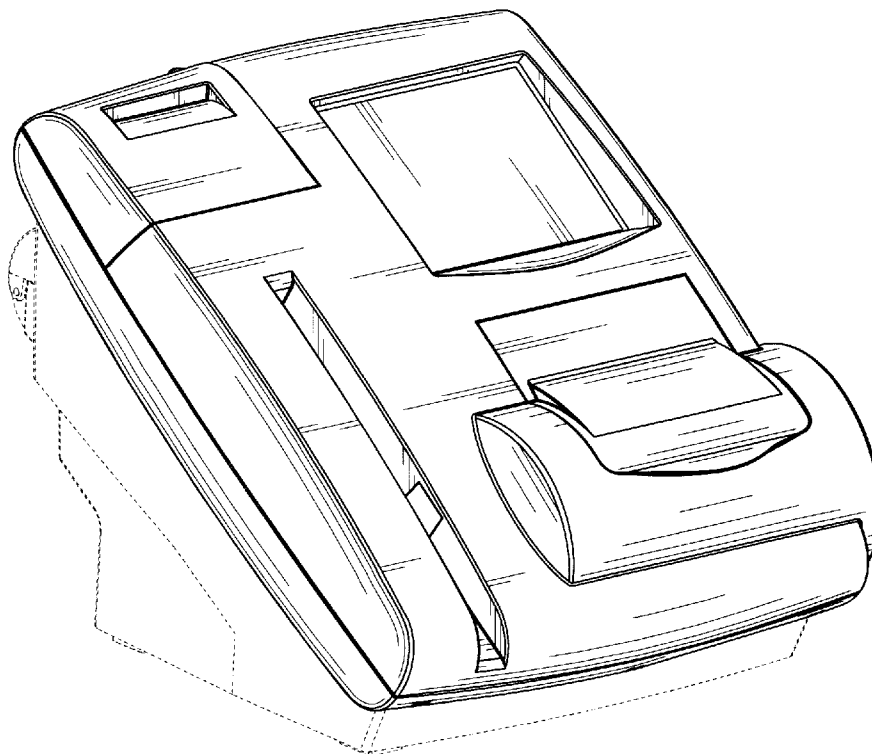
(56) **References Cited**

U.S. PATENT DOCUMENTS

D251,774 S	5/1979	Olson et al.
D272,087 S	1/1984	Smith
D305,684 S	1/1990	Kanewske, III et al.
D307,321 S	4/1990	Bransky et al.

The broken lines in FIGS. 1–6 are for the purpose of illustrating the environment and form no part of the claimed design.

1 Claim, 6 Drawing Sheets



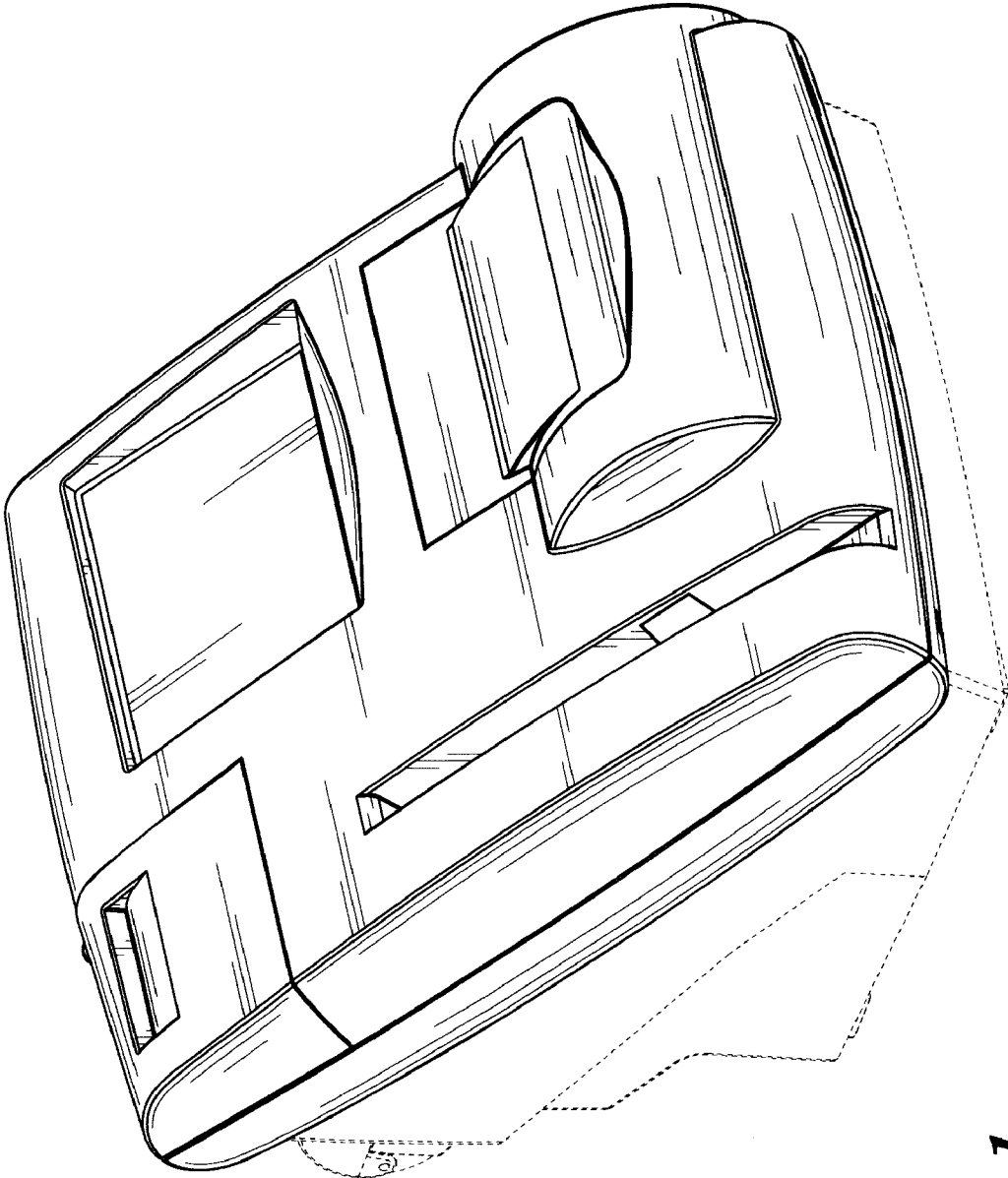


FIG. 1

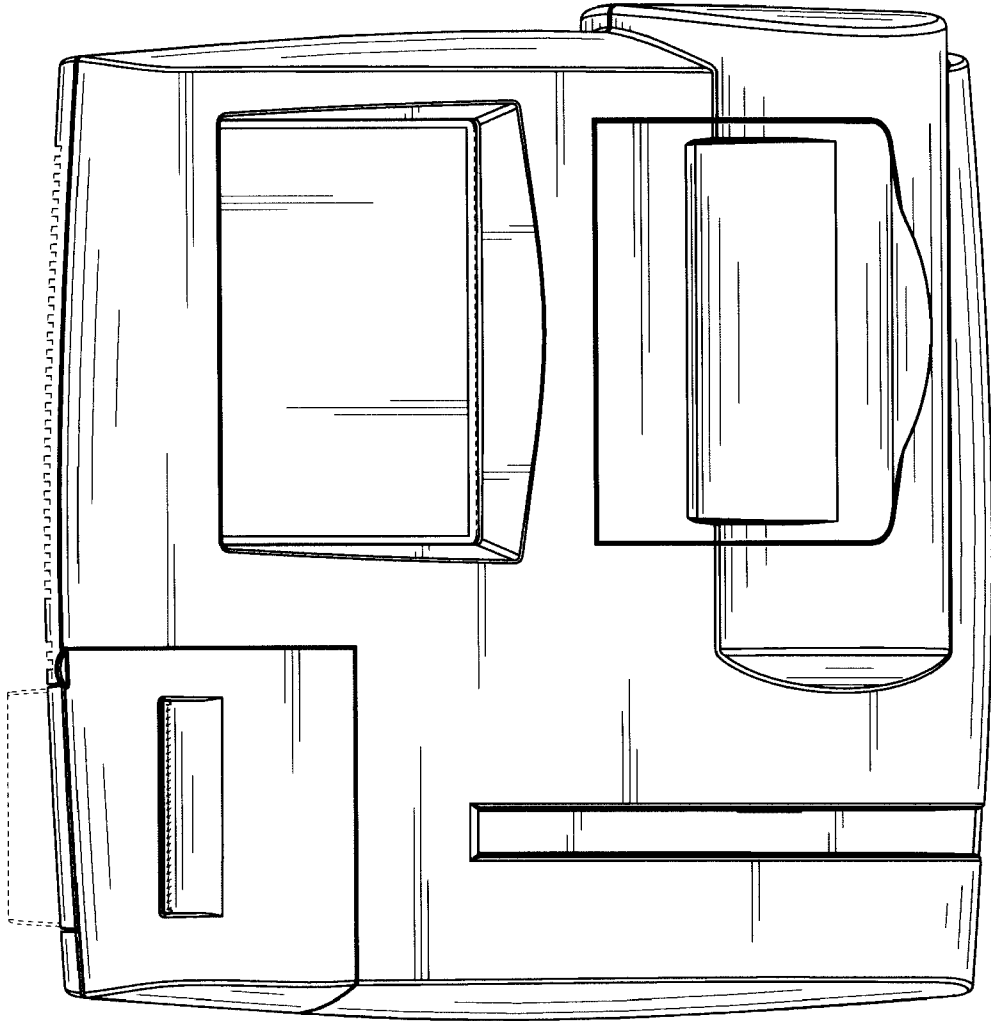


FIG. 2

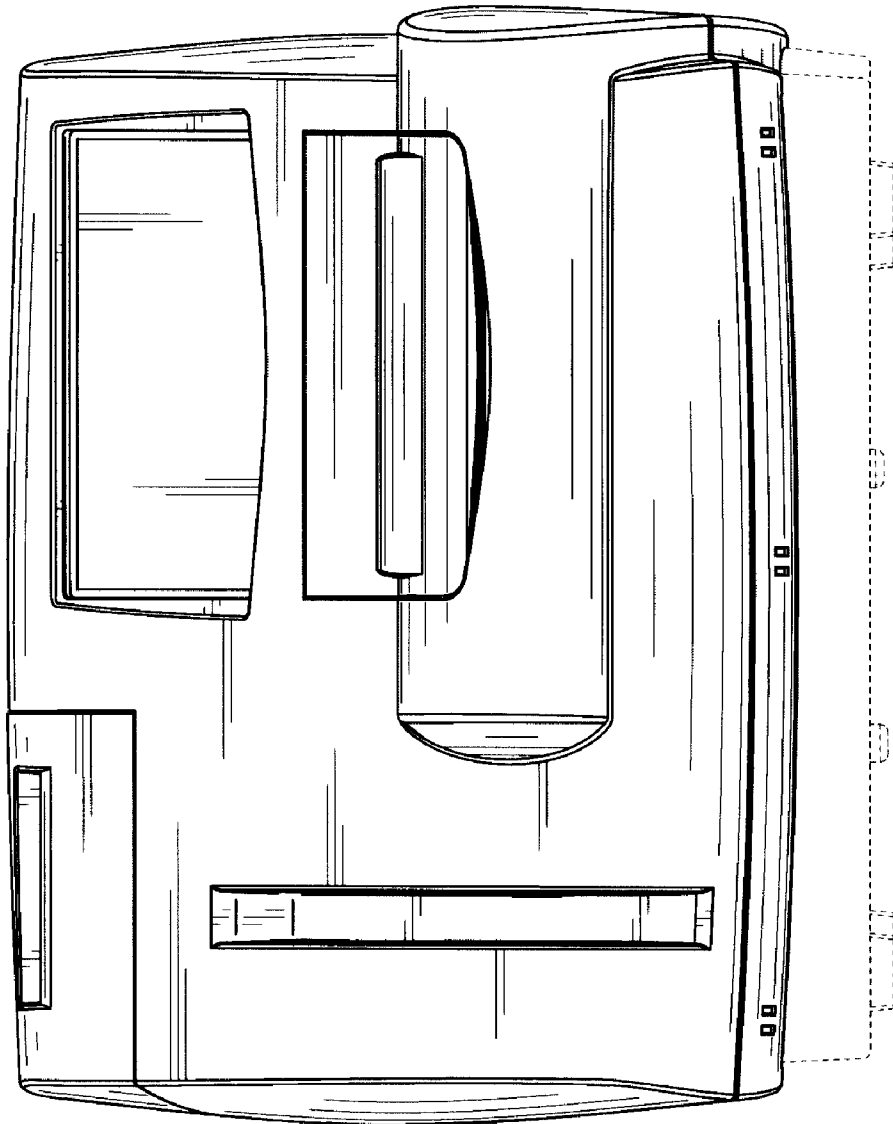


FIG. 3

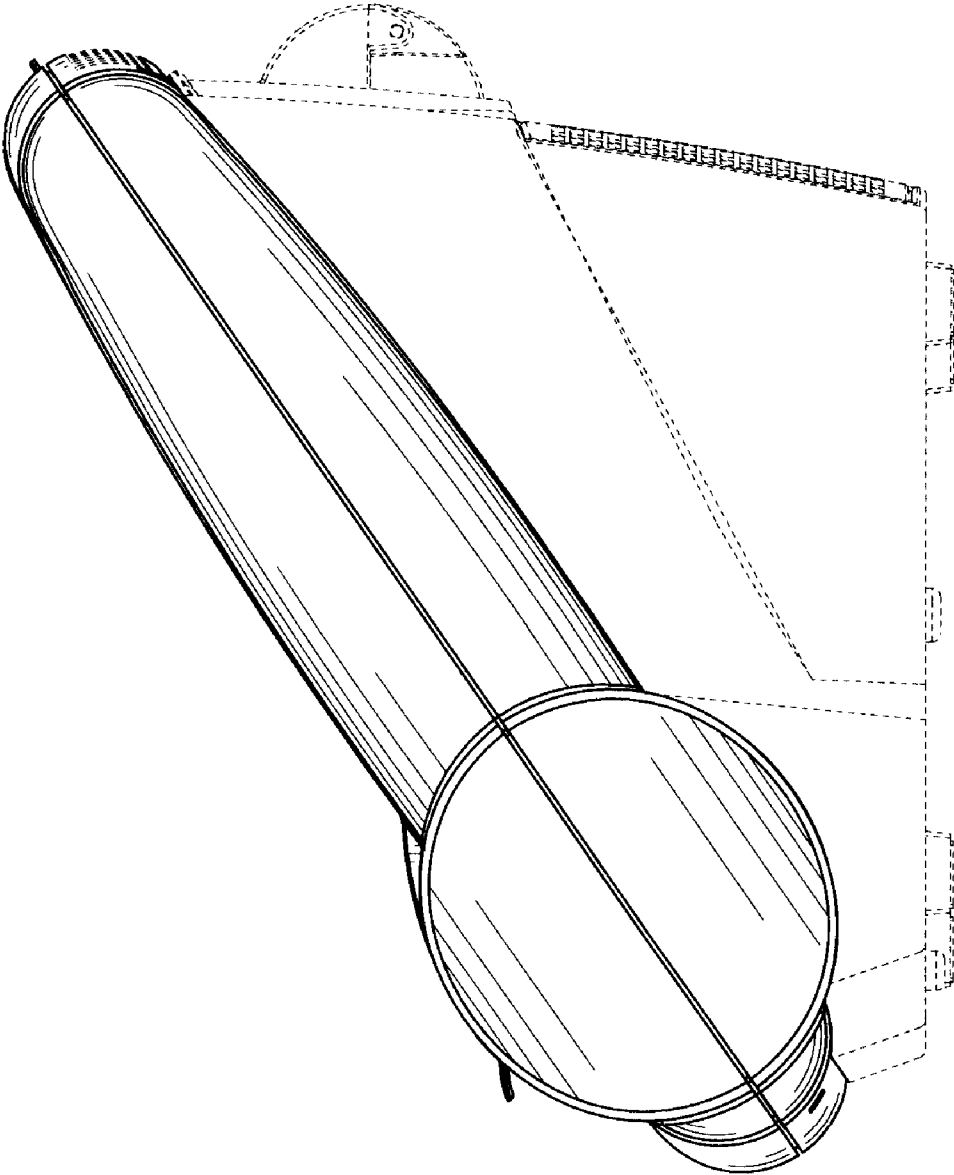


FIG. 4

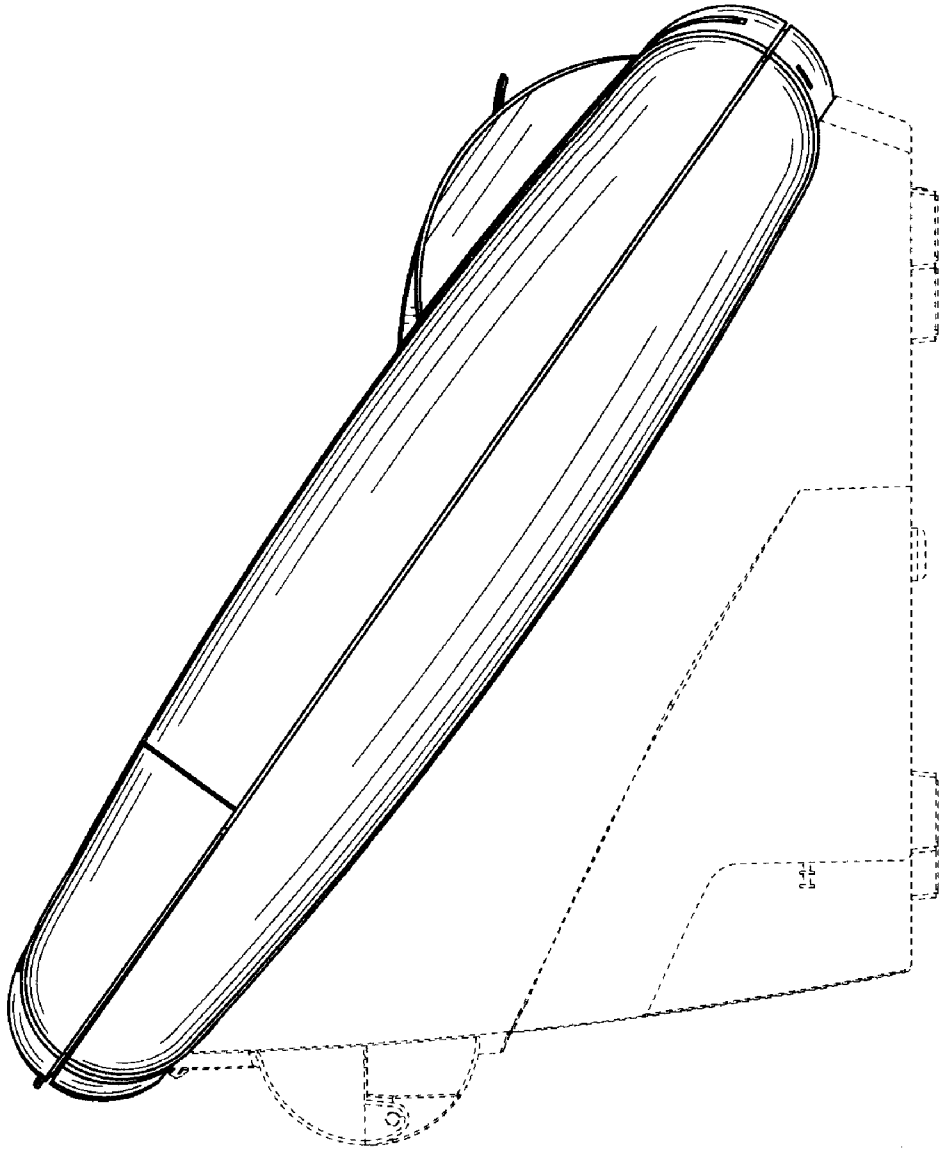


FIG. 5

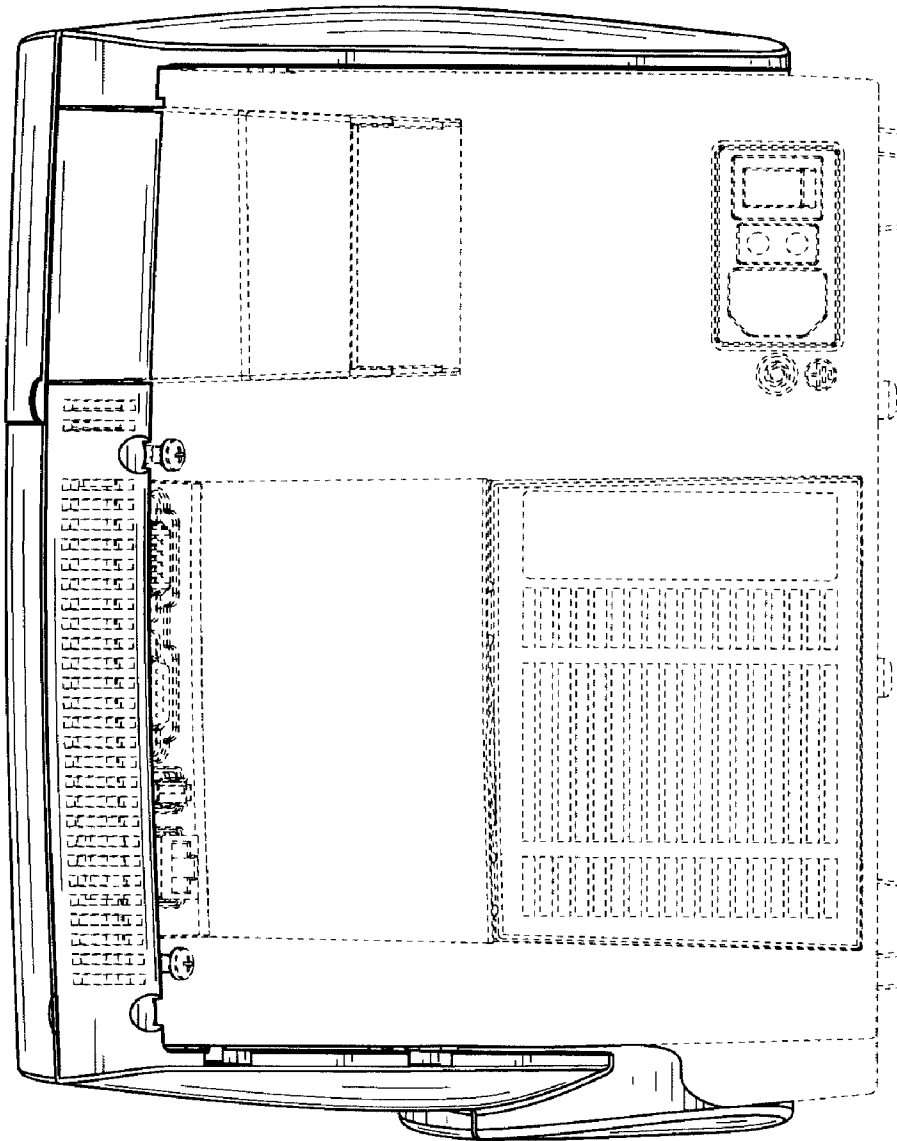


FIG. 6