



US00D912224S

(12) **United States Design Patent**  
**Moller et al.**

(10) **Patent No.:** **US D912,224 S**

(45) **Date of Patent:** **\*\* Mar. 2, 2021**

- (54) **SINK**
- (71) Applicant: **Kohler Co.**, Kohler, WI (US)
- (72) Inventors: **Adam M. Moller**, Grafton, WI (US);  
**Shawn J. Booth**, Sheboygan, WI (US);  
**Richard C. Kong**, Sheboygan, WI (US)
- (73) Assignee: **Kohler Co.**, Kohler, WI (US)
- (\*\*) Term: **15 Years**
- (21) Appl. No.: **29/692,255**
- (22) Filed: **May 23, 2019**
- (51) **LOC (13) Cl.** ..... **23-02**
- (52) **U.S. Cl.**  
USPC ..... **D23/284**
- (58) **Field of Classification Search**  
USPC ..... D23/284, 286, 293.1, 308  
CPC ..... A47B 77/06  
See application file for complete search history.

- D319,691 S 9/1991 Yvetot
- D337,376 S 7/1993 Ragonot
- D507,334 S \* 7/2005 Ferrer Beltran ..... D23/293.1
- D609,315 S 2/2010 Soulier
- D710,978 S \* 8/2014 Spangler ..... D23/293.1
- D854,129 S \* 7/2019 Kluck ..... D23/284
- D890,311 S \* 7/2020 Belozerova ..... D23/290

\* cited by examiner

*Primary Examiner* — Robert A Delehanty  
(74) *Attorney, Agent, or Firm* — Lempia Summerfield  
Katz LLC

(57) **CLAIM**

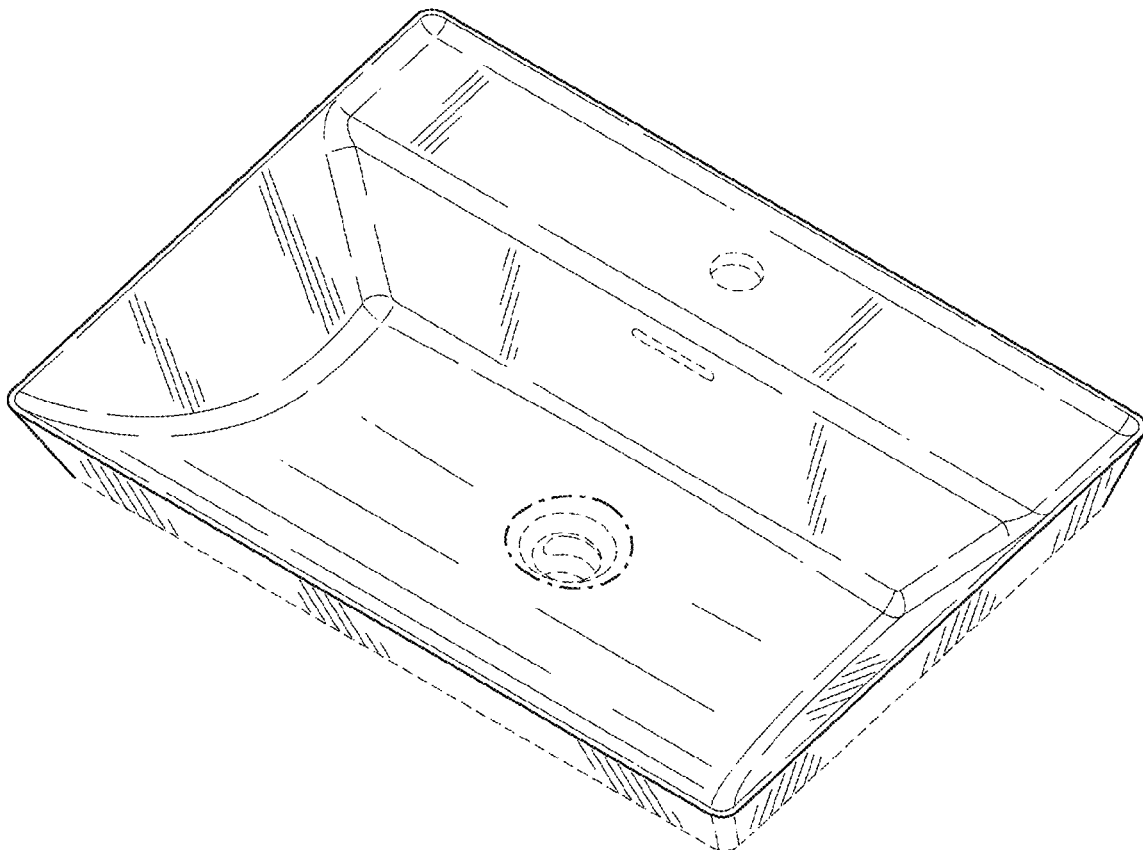
We claim the ornamental design for a sink, as shown and described.

**DESCRIPTION**

FIG. 1 is a perspective view of an embodiment of the claimed design;  
FIG. 2 is a top view of the embodiment of FIG. 1;  
FIG. 3 is a bottom view of the embodiment of FIG. 1;  
FIG. 4 is a front view of the embodiment of FIG. 1;  
FIG. 5 is a rear view of the embodiment of FIG. 1;  
FIG. 6 is a side view of the embodiment of FIG. 1;  
FIG. 7 is another side view of the embodiment of FIG. 1;  
FIG. 8 is a cross-sectional view taken along line 8-8 in FIG. 2; and,  
FIG. 9 is a cross-sectional view taken along line 9-9 in FIG. 2.

**1 Claim, 6 Drawing Sheets**

- (56) **References Cited**  
**U.S. PATENT DOCUMENTS**  
D274,642 S 7/1984 Doman  
D282,201 S 1/1986 Doman  
D295,669 S 5/1988 Kolada  
D295,670 S 5/1988 Reid et al.



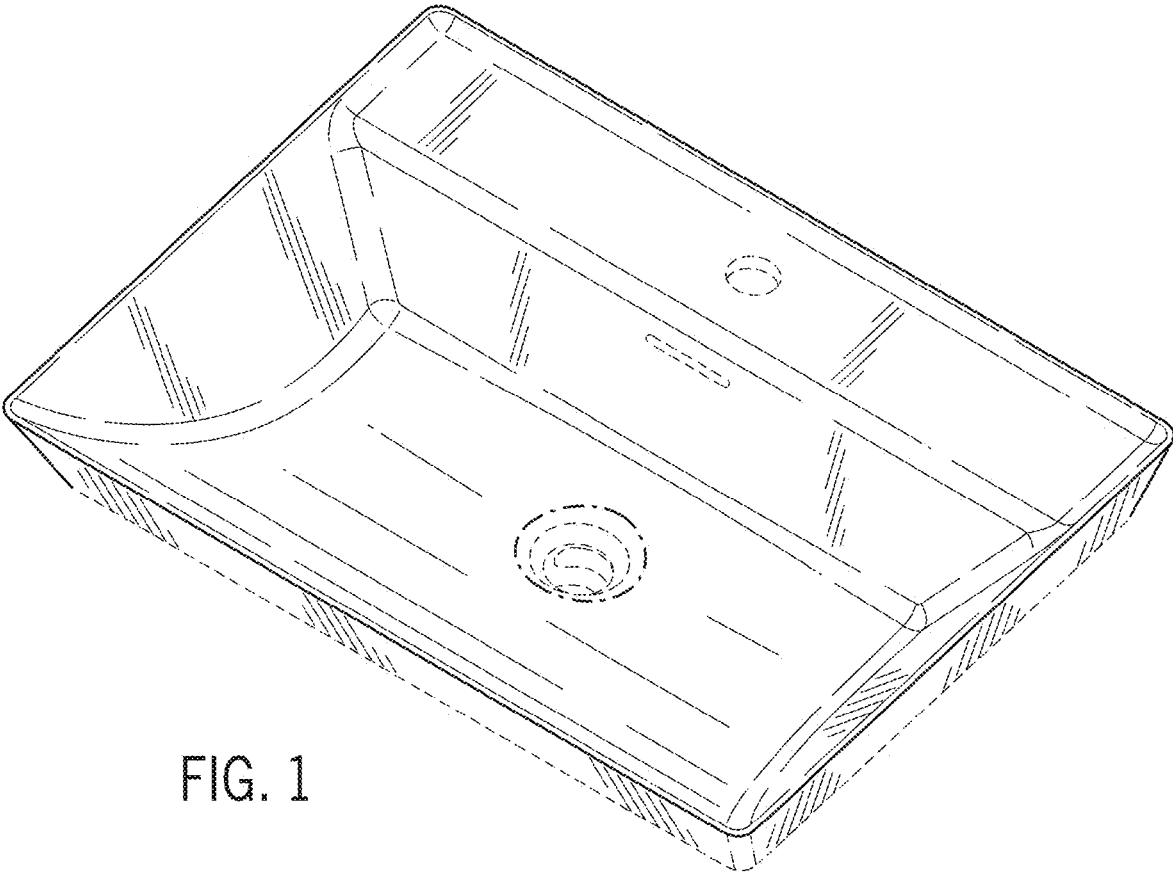


FIG. 1

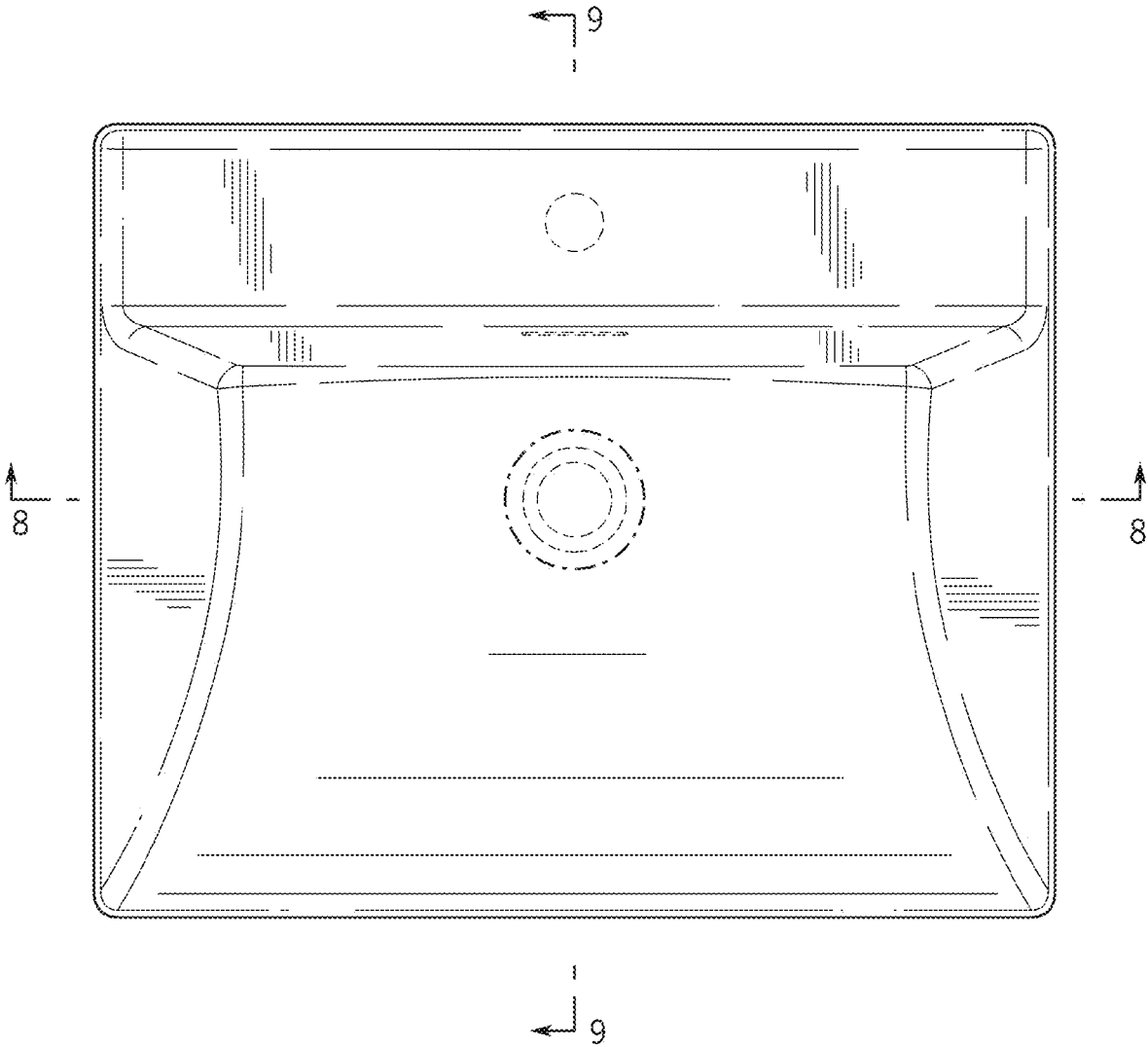


FIG. 2

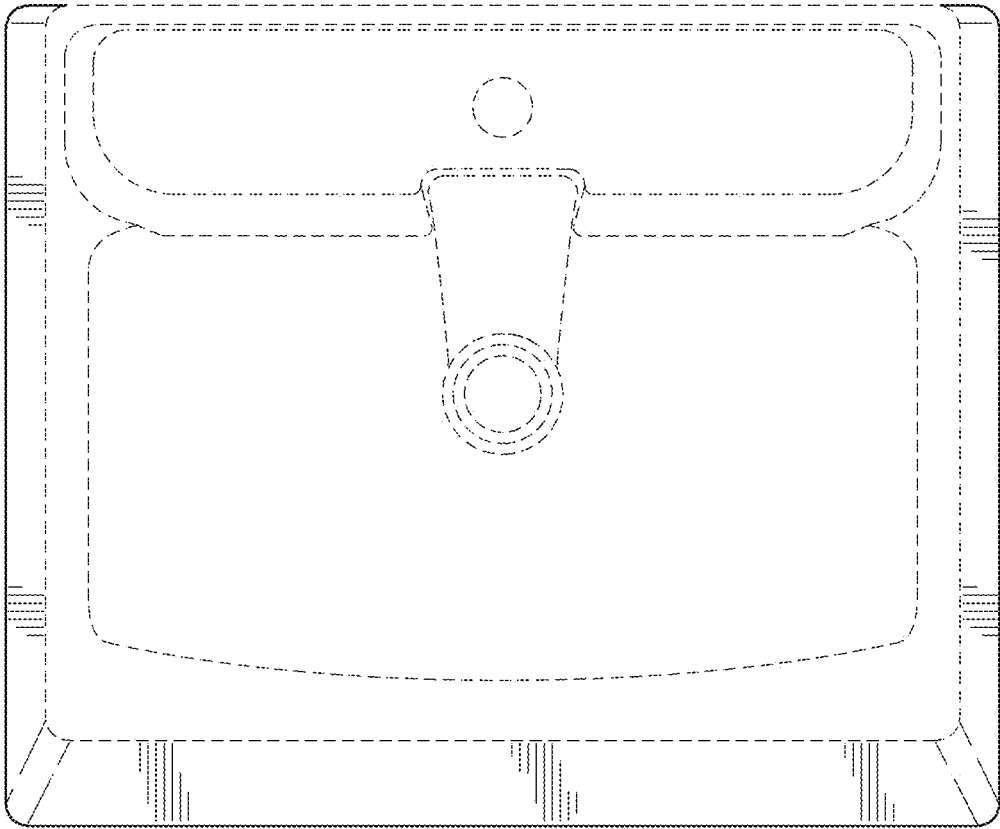


FIG. 3

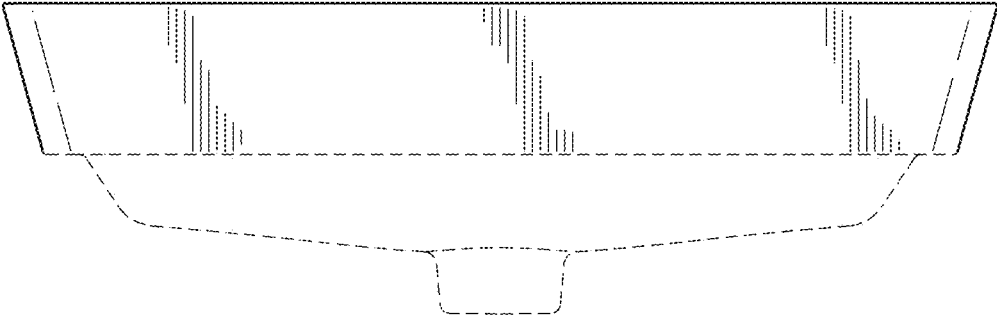


FIG. 4

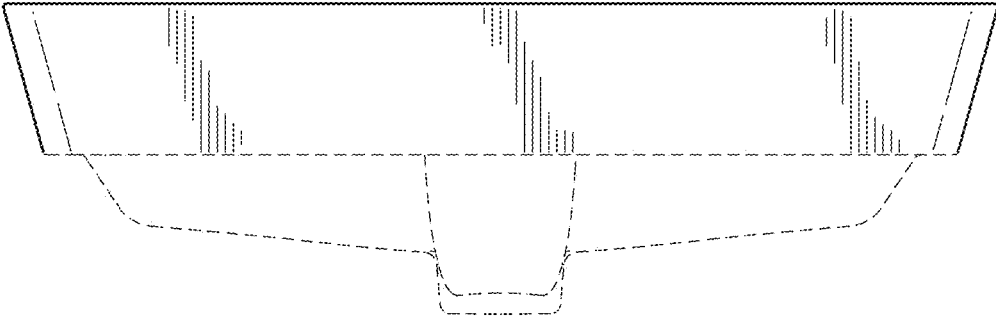


FIG. 5

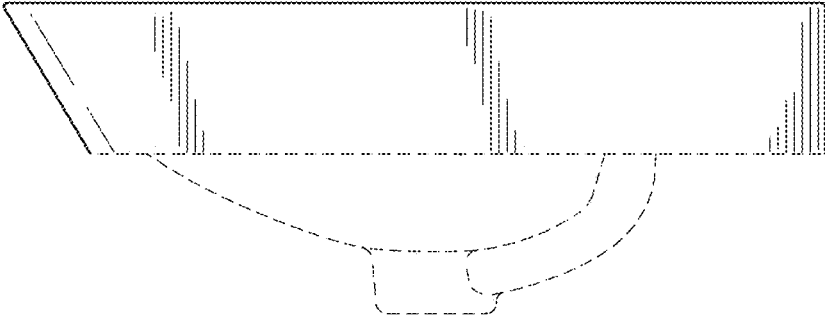


FIG. 6

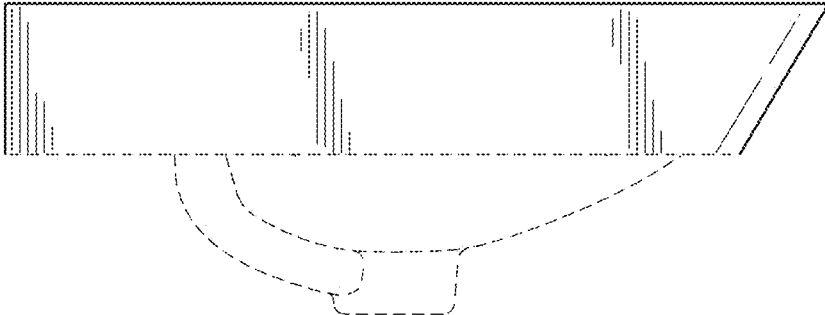


FIG. 7

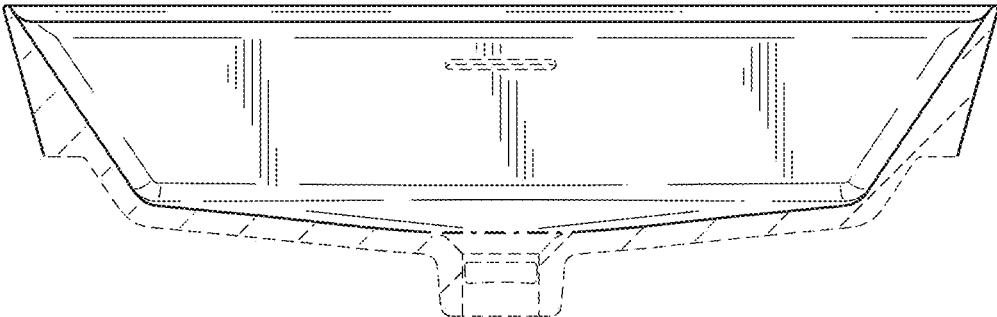


FIG. 8

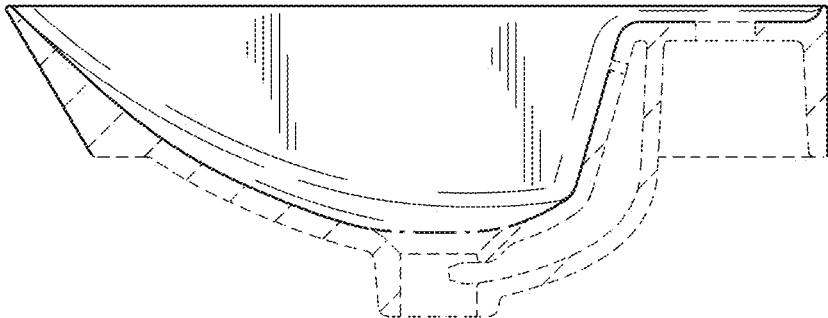


FIG. 9