



US00D403899S

United States Patent [19]
Paparo, Jr.

[11] **Patent Number: Des. 403,899**
[45] **Date of Patent: **Jan. 12, 1999**

[54] **TABLE FOLDABLY ATTACHABLE TO COOLER**

[76] Inventor: **Joseph Paparo, Jr.**, 662 Rte. 31, Bridgeport, N.Y. 13030

[**] Term: **14 Years**

[21] Appl. No.: **69,101**

[22] Filed: **Apr. 14, 1997**

[51] **LOC (6) Cl.** **06-03**

[52] **U.S. Cl.** **D6/483; D6/480; D6/429**

[58] **Field of Search** **D6/480-489, 495-496, D6/429, 397; D7/605; 108/42, 47, 48, 50, 156, 157, 161, 152; 62/457.1, 457.7**

[56] **References Cited**

U.S. PATENT DOCUMENTS

D. 142,262	8/1945	Paden	D33/7
D. 259,525	6/1981	Kane	D6/4
D. 329,761	9/1992	Pieper	D6/416
D. 368,387	4/1996	Bureau	D6/397
D. 369,695	5/1996	Imotani	D6/397
2,663,391	12/1953	Kuhns	109/12
3,372,690	3/1968	Ruiz	126/261

4,005,898	2/1977	Way	108/48
4,310,207	1/1982	Adams, Jr.	108/48
4,688,541	8/1987	Stephen et al.	108/42
4,848,610	7/1989	Lai	108/152
5,170,719	12/1992	Pestone	108/48
5,408,936	4/1995	Tseng	108/42

Primary Examiner—Janice E. Seeger
Attorney, Agent, or Firm—George R. McGuire

[57] **CLAIM**

The ornamental design for table foldably attachable to cooler, as shown and described.

DESCRIPTION

FIG. 1 is a rear perspective view of a table foldably attachable to a cooler, showing my new design; FIG. 2 is a front perspective view thereof; FIG. 3 is a top plan view thereof; FIG. 4 is a rear elevational plan view thereof; FIG. 5 is a bottom plan view thereof; and, FIG. 6 is a side elevational view thereof. The cooler is shown in phantom for illustrative purposes only and forms no part of the claimed design.

1 Claim, 3 Drawing Sheets

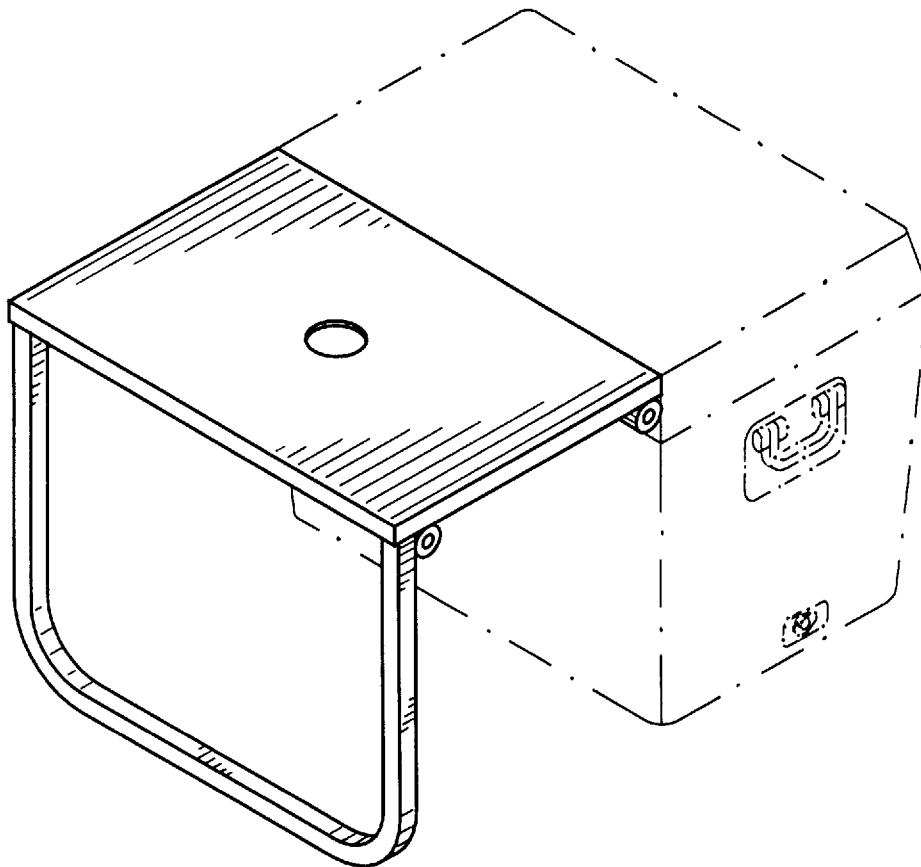


FIG. 1

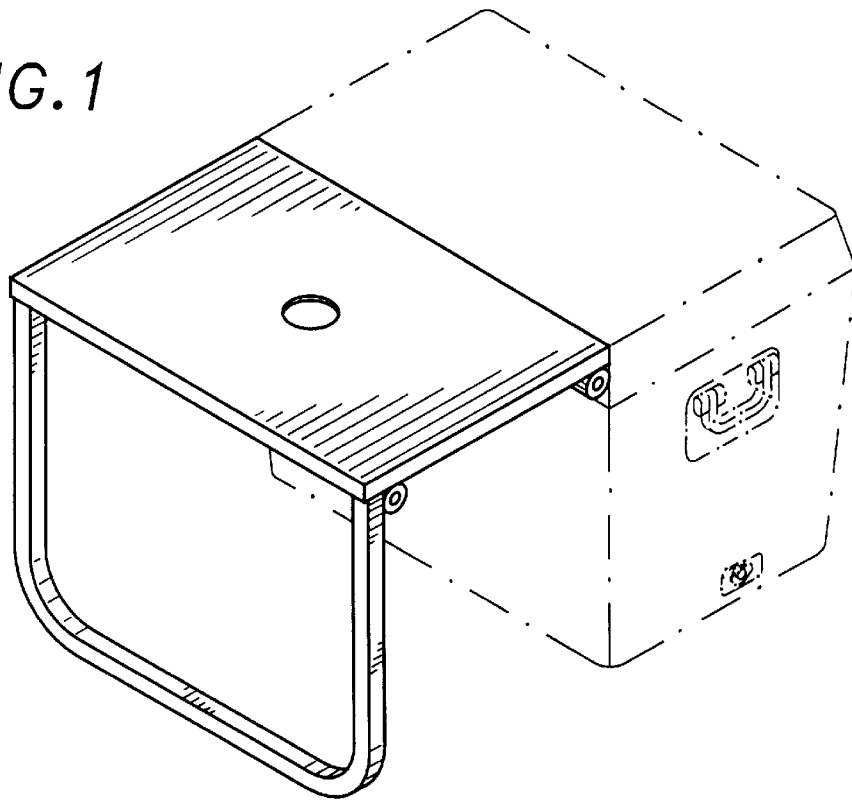


FIG. 2

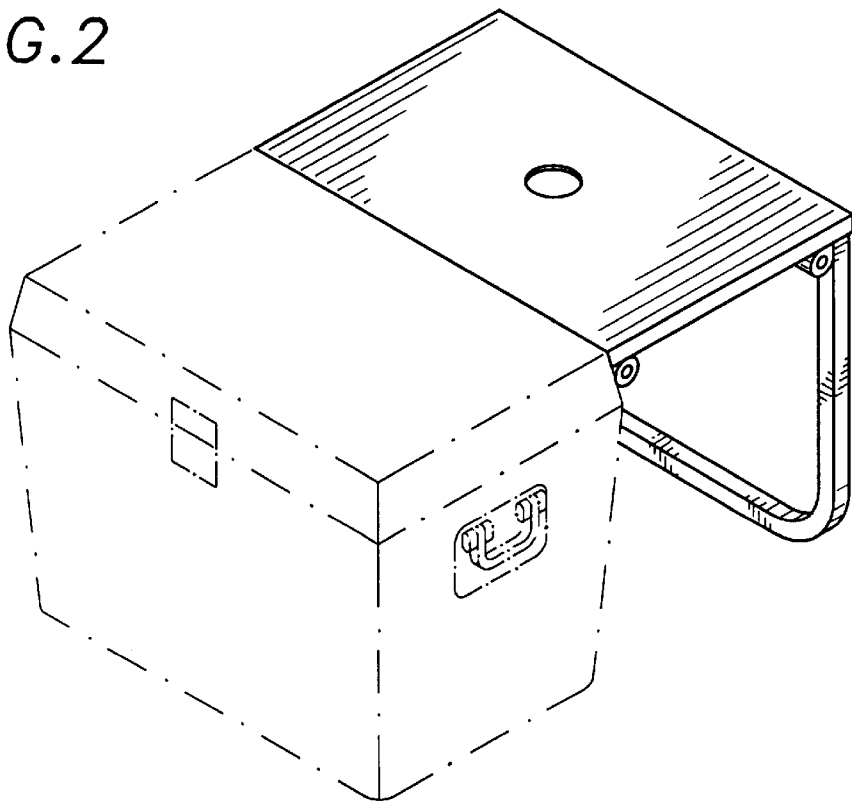


FIG. 3

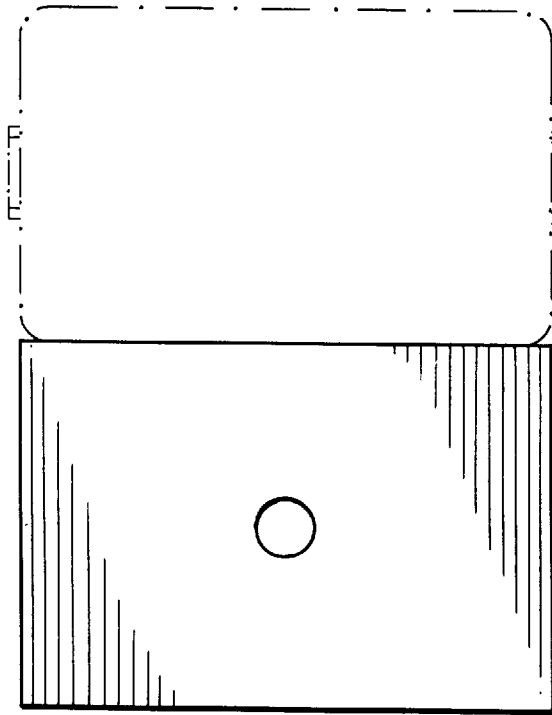


FIG. 4

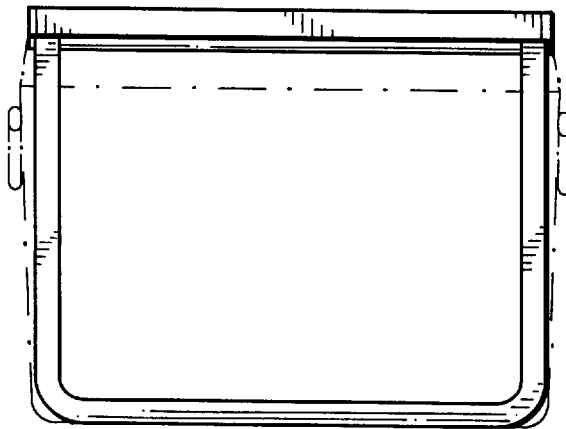


FIG. 5

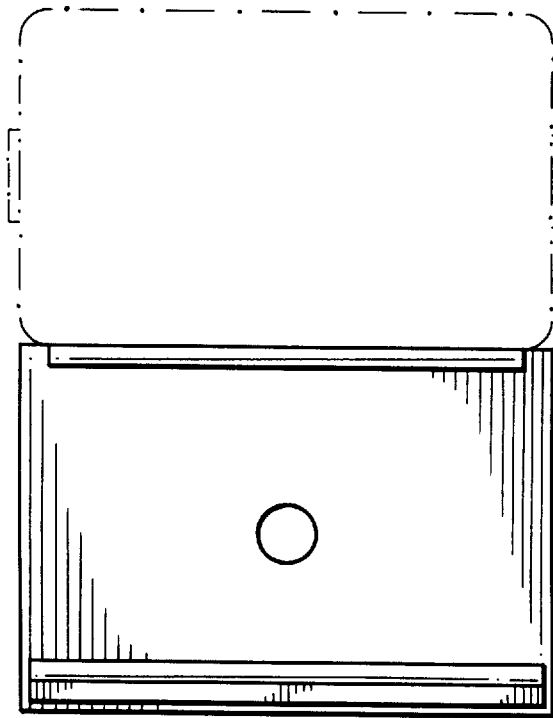


FIG. 6

