



US00D347098S

# United States Patent [19]

Hummel et al.

[11] Patent Number: **Des. 347,098**

[45] Date of Patent: **\*\* May 17, 1994**

[54] **ANTI-THEFT SHOPPING BASKET**

[76] Inventors: **Kathy A. Hummel, R.D. #2, Box 60, Benton, Pa. 17814; Diane C. Wirtjes; Donald L. Wirtjes, both of 21612 Knoll Way, Castro Valley, Calif. 94546**

[\*\*] Term: **14 Years**

[21] Appl. No.: **778,630**

[22] Filed: **Oct. 18, 1991**

[52] U.S. Cl. .... **D3/309**

[58] Field of Search ..... D9/424, 414; 206/44 K, 206/510, 513, 518; 220/494, 495, 675, 676, 771, 772; 229/914; 217/122-125, 36; D34/40-46; D11/155, 156, 148

[56] **References Cited**

**U.S. PATENT DOCUMENTS**

D. 283,457	4/1986	Smith .....	D34/43
D. 326,552	5/1992	Goodell .....	D34/43 X
1,153,057	9/1915	Garritson .....	229/914 X
3,006,532	10/1961	Fine .....	229/125.29 X
4,003,611	1/1977	Smith .....	206/510 X

4,192,432	3/1980	Jordan .....	220/676
4,671,411	6/1987	Rehrig et al. ....	206/510 X
4,982,863	1/1991	Skillius .....	220/675 X

**OTHER PUBLICATIONS**

Rubbermaid Laundry Basket, 1979 ©p. HC-974, Item Nos. 2967 and 2968.

Rubbermaid Incorporated, Laundry Baskets as shown, 1979.

Rubbermaid Incorporated, 1979 ©, Item #0166.

*Primary Examiner*—Prabhakar G. Deshmukh

*Attorney, Agent, or Firm*—S. Michael Bender

[57] **CLAIM**

The ornamental design for a anti-theft shopping basket, as shown and described.

**DESCRIPTION**

FIG. 1 is a front elevational view of the anti-theft shopping basket showing my new design;

FIG. 2 is a rear elevational view thereof;

FIG. 3 is a left side elevational view thereof;

FIG. 4 is a right side elevational view thereof;

FIG. 5 is a top plan view thereof; and,

FIG. 6 is a bottom plan view thereof.

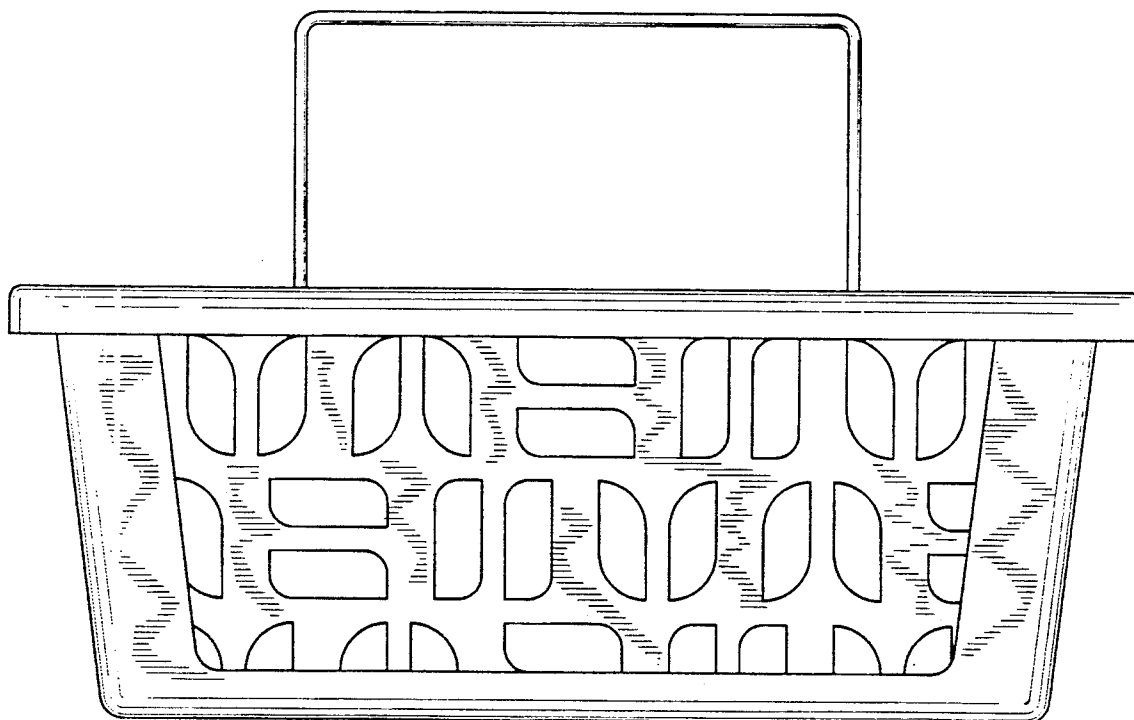


FIG. 1

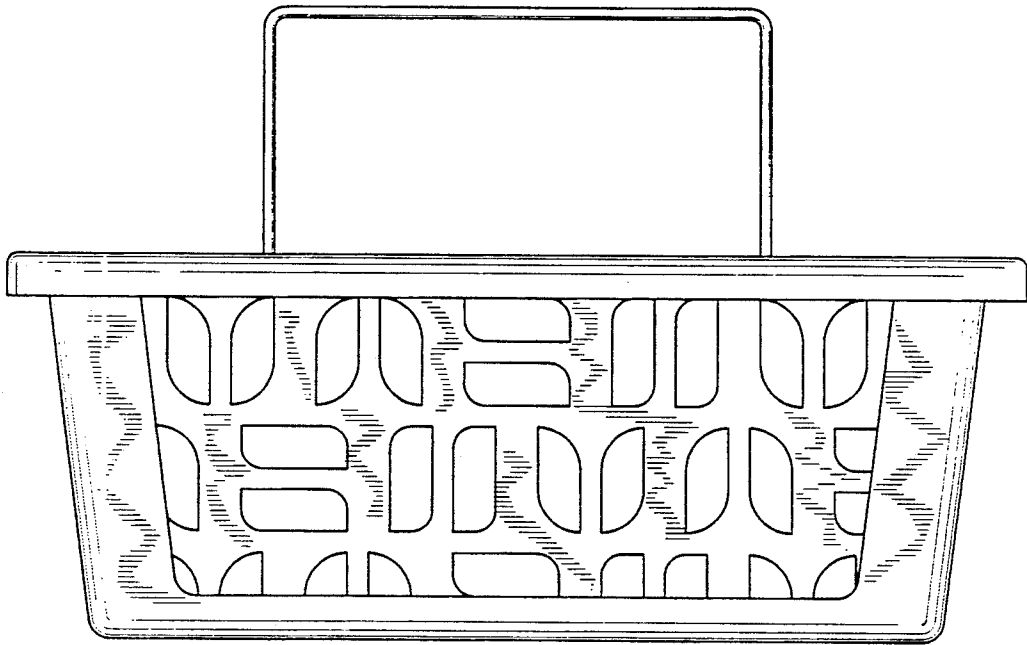


FIG. 2

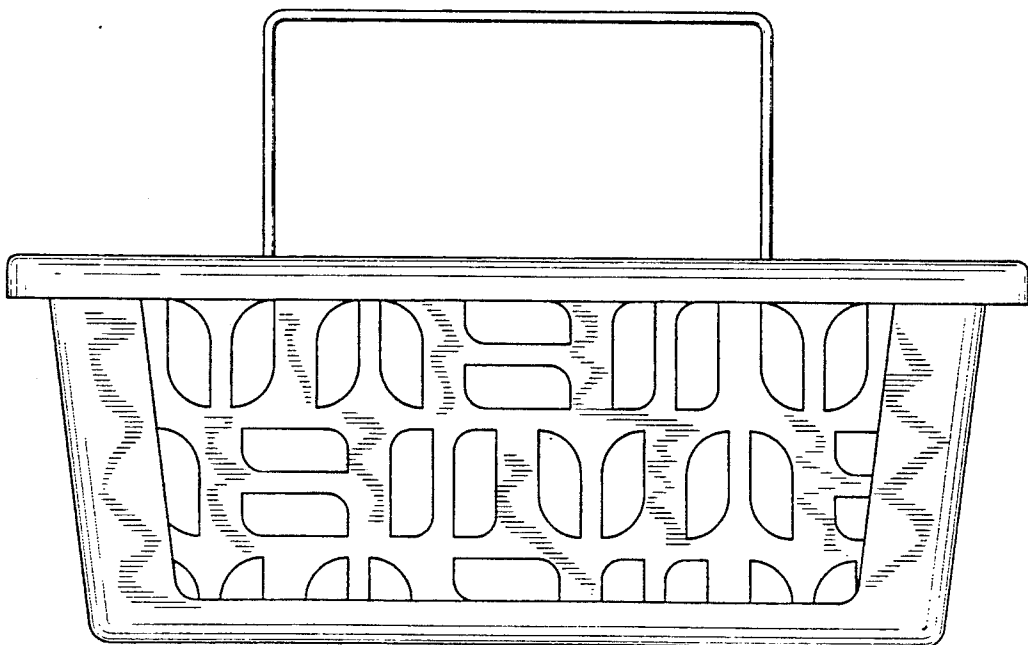


FIG. 3

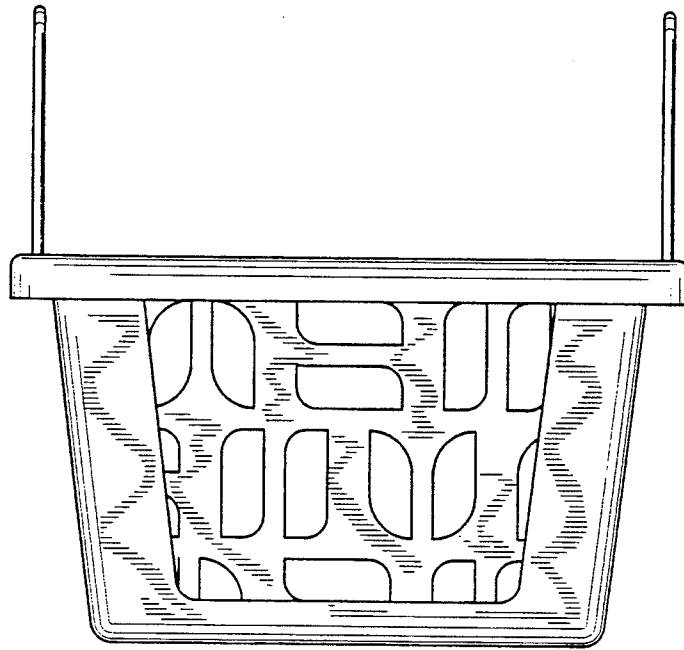


FIG. 4

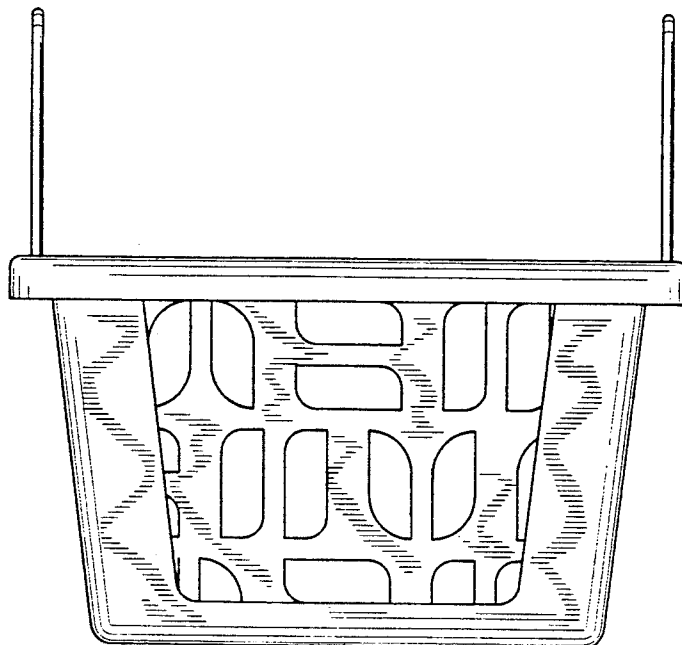


FIG. 5

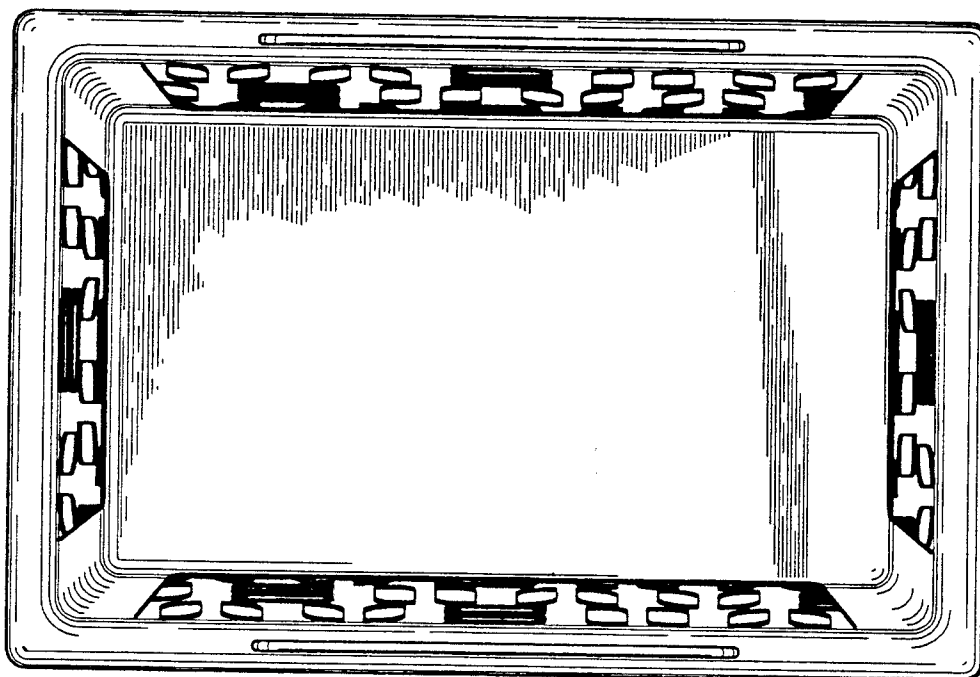


FIG. 6

