



US00D423741S

United States Patent [19]

[11] Patent Number: Des. 423,741

Sato

[45] Date of Patent: ** Apr. 25, 2000

[54] NOZZLE FOR AN ELECTRIC VACUUM CLEANER

D. 356,880	3/1995	Kieft	D32/31
D. 368,560	4/1996	Abe et al.	..	
D. 411,669	6/1999	Wareham	D32/32
D. 418,267	12/1999	Lin	D32/32

[75] Inventor: Takashi Sato, Osaka, Japan

[73] Assignee: Matsushita Electric Industrial Co., Ltd., Japan

[**] Term: 14 Years

[21] Appl. No.: 29/111,250

[22] Filed: Sep. 23, 1999

[30] Foreign Application Priority Data

Apr. 7, 1999 [JP] Japan 11-9098

[51] LOC (6) Cl. 15-05

[52] U.S. Cl. D32/32

[58] Field of Search D32/21, 22, 25, D32/31-33; 15/415.1-422.1, 321-322, 412, 414, 400, 350, 354, 362, 364, 367, 373

[56] References Cited

U.S. PATENT DOCUMENTS

D. 198,435	6/1964	Gantz	D32/22
D. 249,349	9/1978	Wareham	D32/32
D. 290,419	6/1987	Strohmeier	D32/32
D. 305,269	12/1989	Dyson	D32/22
D. 316,921	5/1991	Gerke, Jr. et al.	D32/33
D. 333,892	3/1993	Wareham	D32/32

OTHER PUBLICATIONS

Panasonic Model No. MC-V7395 catalogue issued before Apr. 7, 1999.
Electrolux "Freedom" catalogue issued before Apr. 7, 1999.
Hoover Model Nos. S2490, S2492, S2494, U5094, U2602, U1092, catalogue issued Nov. 2, 1989.

Primary Examiner—Ruth McInroy
Attorney, Agent, or Firm—SAIDMAN DesignLaw Group

[57] CLAIM

The ornamental design for a nozzle for an electric vacuum cleaner, as shown and described.

DESCRIPTION

FIG. 1 is a perspective view of the top, front and right side of a nozzle for an electric vacuum cleaner showing my new design;
FIG. 2 is a right side view thereof;
FIG. 3 is a left side view thereof;
FIG. 4 is a top plan view thereof;
FIG. 5 is a front view thereof;
FIG. 6 is a rear view thereof; and,
FIG. 7 is a bottom view thereof.

1 Claim, 3 Drawing Sheets

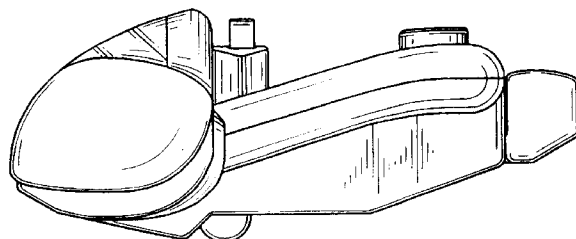
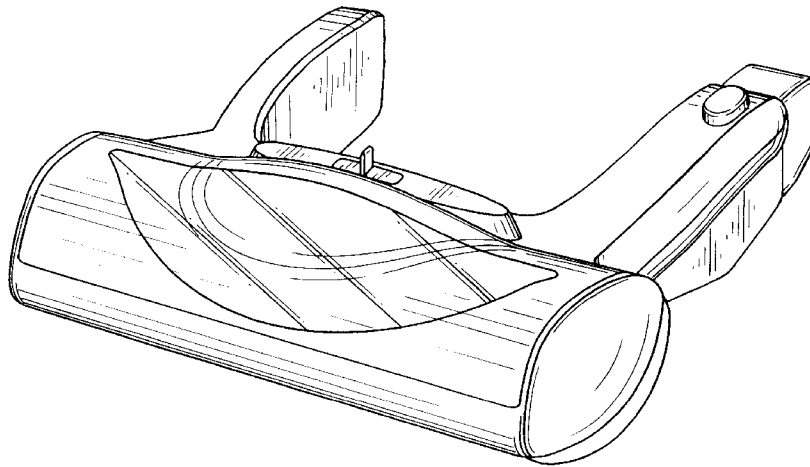


FIG. 1

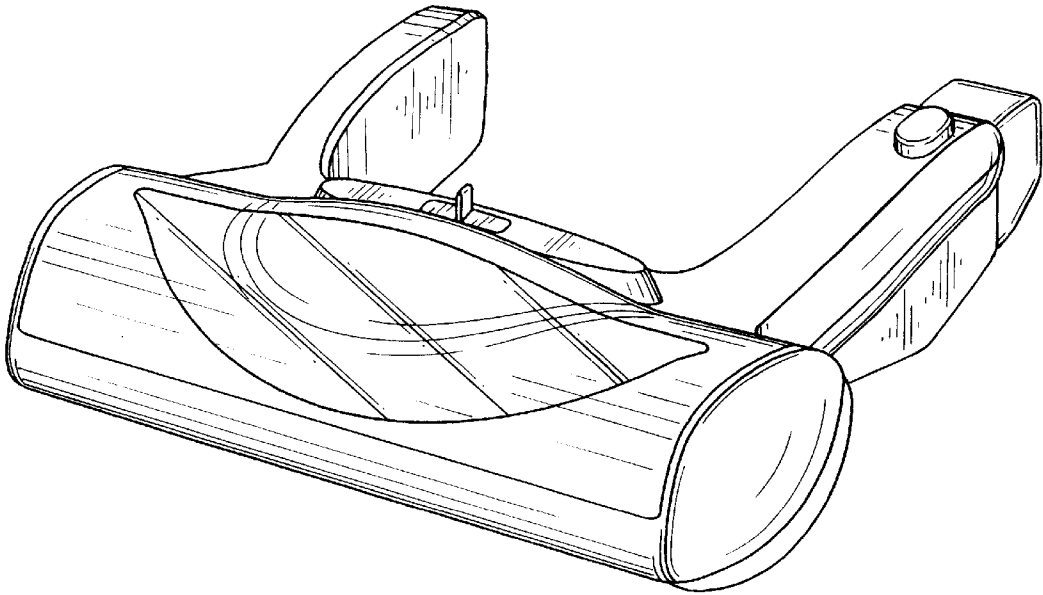


FIG. 2

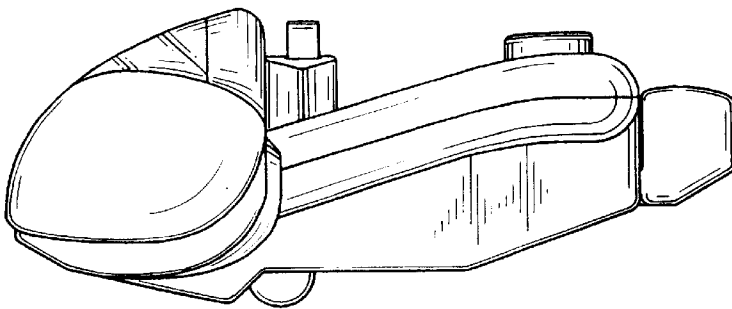


FIG. 3

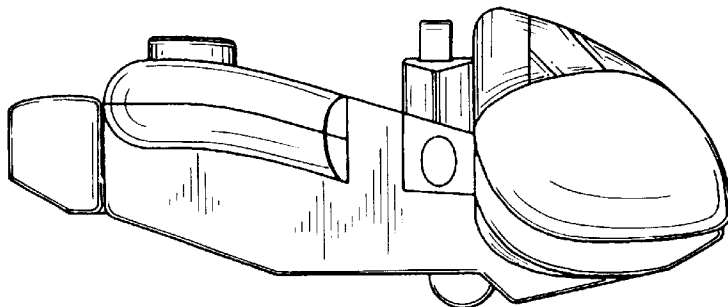


FIG. 4

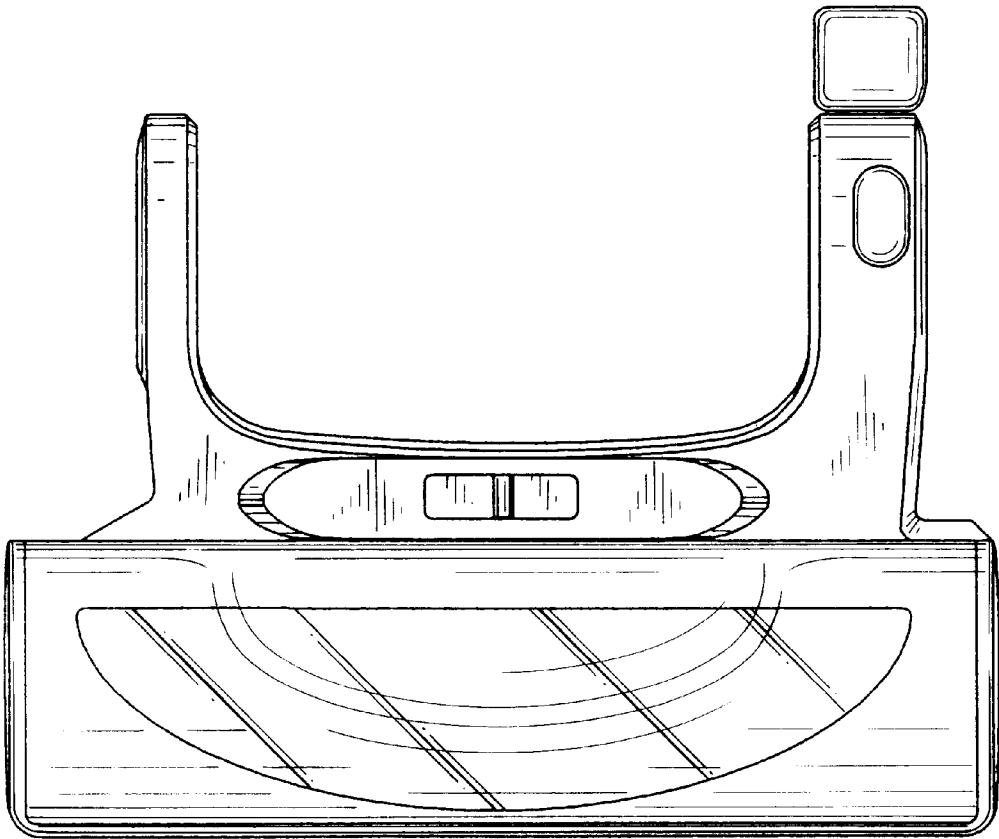


FIG. 5

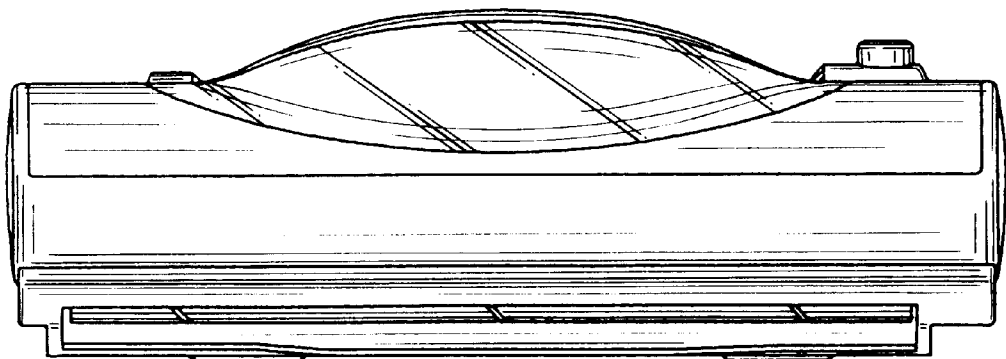


FIG. 6

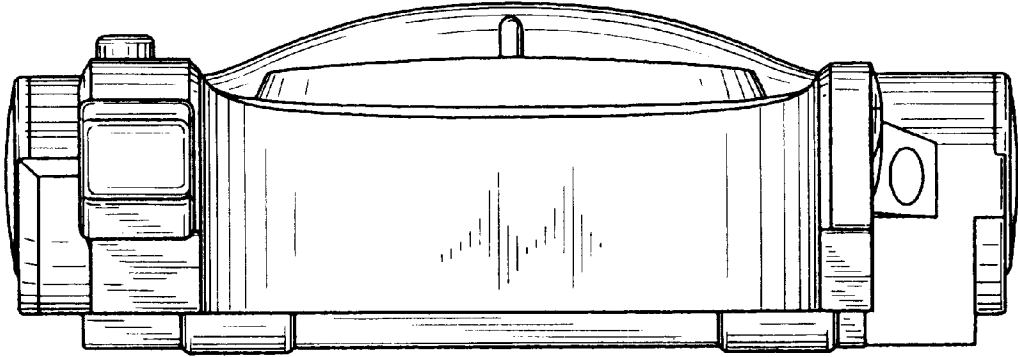


FIG. 7

