



US00D742873S

(12) **United States Design Patent**
Ahn et al.

(10) **Patent No.:** **US D742,873 S**

(45) **Date of Patent:** **** Nov. 10, 2015**

(54) **TABLET COMPUTER**

(71) Applicant: **Samsung Electronics Co., Ltd.**,
Suwon-si (KR)

(72) Inventors: **Dae Kyung Ahn**, Namyangjusi (KR);
Chui-Yong Cho, Seoul (KR); **Sangmin
Hyun**, Seoul (KR); **Eun Vit Chung**,
Seoul (KR)

(73) Assignee: **Samsung Electronics Co., Ltd.**,
Suwon-si (KR)

(**) Term: **14 Years**

(21) Appl. No.: **29/472,119**

(22) Filed: **Nov. 8, 2013**

(30) **Foreign Application Priority Data**

May 10, 2013 (KR) 30-2013-0024843

(51) **LOC (10) Cl.** **14-02**

(52) **U.S. Cl.**
USPC **D14/341; D14/345**

(58) **Field of Classification Search**
USPC D14/341-347, 137, 138 R, 138 AA,
D14/138 C, 138 G, 496, 203.1, 203.3, 203.4,
D14/203.7, 129, 130, 147, 218, 247, 248,
D14/250, 374, 371, 385, 388, 389, 315-318,
D14/420, 426, 439; D6/308, 310; D10/65,
D10/104.1; D19/26, 59, 60; D21/324, 329,
D21/330, 332; 248/917-924; 463/37;
455/556.1, 556.2, 566, 575.1, 90.3;
379/433.04, 433.01, 433.06, 916;
345/173, 901, 905; 348/376;
361/679.26, 679.27, 679.3, 679.55,
361/679.56, 679.59, 679.21
CPC ... G06F 1/1613; G06F 1/1624; G06F 1/1626;
G06F 1/165; G06F 3/0485; G06F 3/0488;
H04M 1/0202; H04M 1/0279; H04M 1/0281;
H04M 1/0283; H04M 1/0214; H04M 1/0264;
H04M 1/72544; H04M 1/72552

See application file for complete search history.

(56) **References Cited**

U.S. PATENT DOCUMENTS

D428,004 S * 7/2000 Colvin D14/345
D507,567 S * 7/2005 Yonekawa et al. D14/345
D517,545 S * 3/2006 Buckel et al. D14/345
D584,726 S * 1/2009 Morita D14/341
D588,126 S * 3/2009 Chiang et al. D14/345
D618,683 S * 6/2010 Wilson et al. D14/371
D626,124 S * 10/2010 Chyan et al. D14/341
D631,043 S * 1/2011 Kell D14/341
D639,806 S * 6/2011 Lee et al. D14/345
D644,219 S * 8/2011 Sawada D14/345

(Continued)

Primary Examiner — Eric Goodman

Assistant Examiner — Clese Moore, Jr.

(74) *Attorney, Agent, or Firm* — NSIP Law

(57) **CLAIM**

The ornamental design for a tablet computer, as shown and described.

DESCRIPTION

FIG. 1 is a front perspective view of a tablet computer showing our new design;

FIG. 2 is a front view thereof;

FIG. 3 is a rear view thereof;

FIG. 4 is a left-side view thereof;

FIG. 5 is a right-side view thereof;

FIG. 6 is a top view thereof;

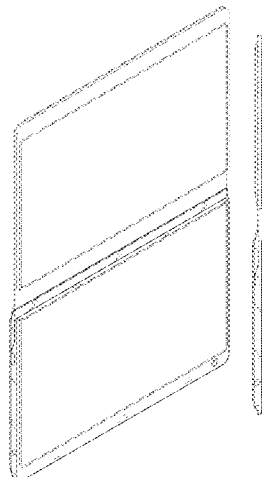
FIG. 7 is a bottom view thereof;

FIG. 8 is a front perspective view, in which the tablet computer is provided in a connected position to illustrate an example environment; and,

FIG. 9 is a left-side view, in which the tablet computer is provided in a closed position to illustrate an example environment.

The broken lines shown in the drawings illustrate portions of the tablet computer that form no part of the claimed design.

1 Claim, 8 Drawing Sheets



(56)

References Cited

U.S. PATENT DOCUMENTS

D650,780 S *	12/2011	Rashid et al.	D14/341	D685,781 S *	7/2013	Adams	D14/315
D650,781 S *	12/2011	Rashid et al.	D14/341	D696,253 S *	12/2013	Akana et al.	D14/345
D658,173 S *	4/2012	Kim	D14/345	D696,254 S *	12/2013	Groene et al.	D14/345
D680,531 S *	4/2013	Honda et al.	D14/345	D709,067 S *	7/2014	Ahn et al.	D14/345
D680,532 S *	4/2013	Reeves et al.	D14/345	D709,492 S *	7/2014	Ahn et al.	D14/345
D680,533 S *	4/2013	Song et al.	D14/345	D709,493 S *	7/2014	Ahn et al.	D14/345
D681,633 S *	5/2013	Reeves et al.	D14/345	D709,494 S *	7/2014	Ahn et al.	D14/345
				D710,354 S *	8/2014	Ahn et al.	D14/345
				D712,900 S *	9/2014	Miki et al.	D14/345
				2010/0177047 A1 *	7/2010	Brenneman et al.	345/173

* cited by examiner

FIG. 1

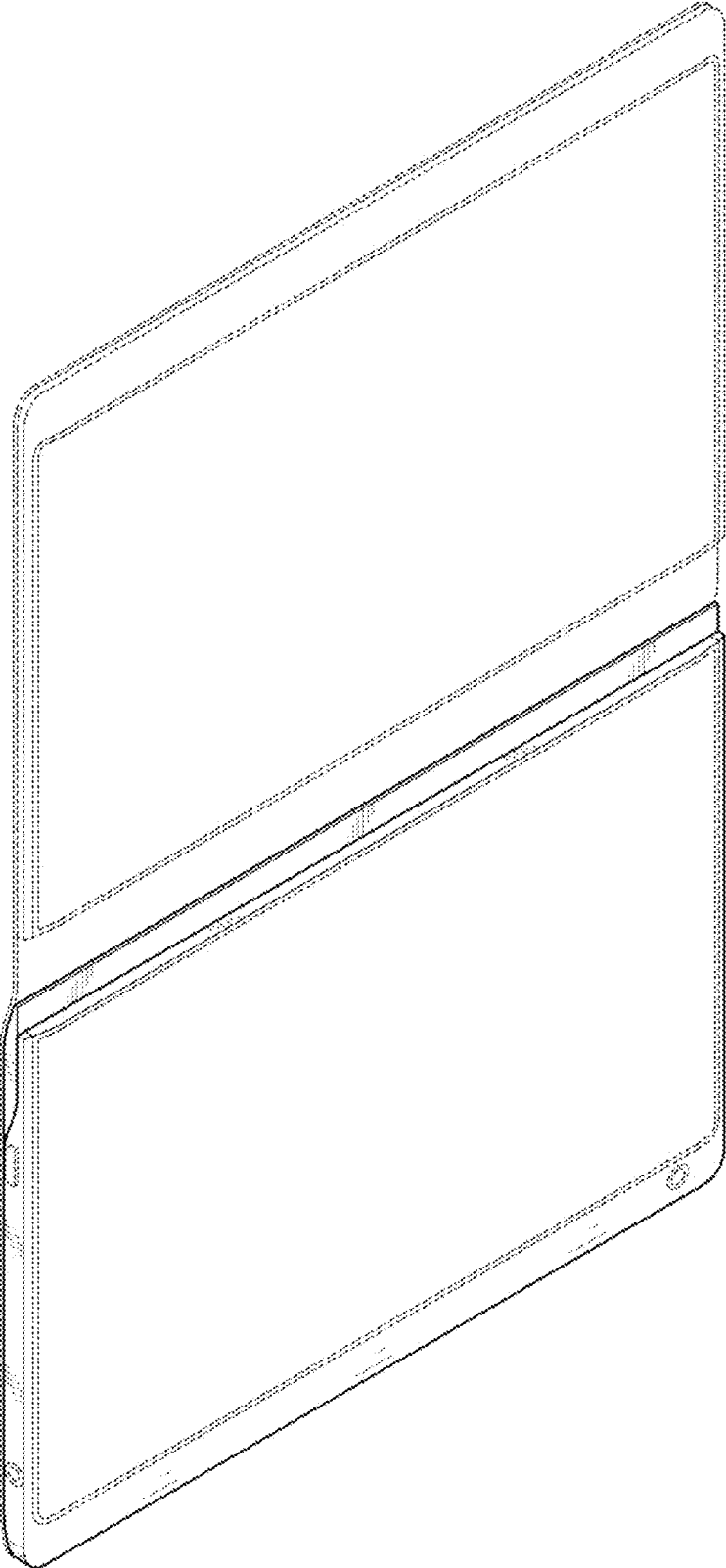


FIG. 2

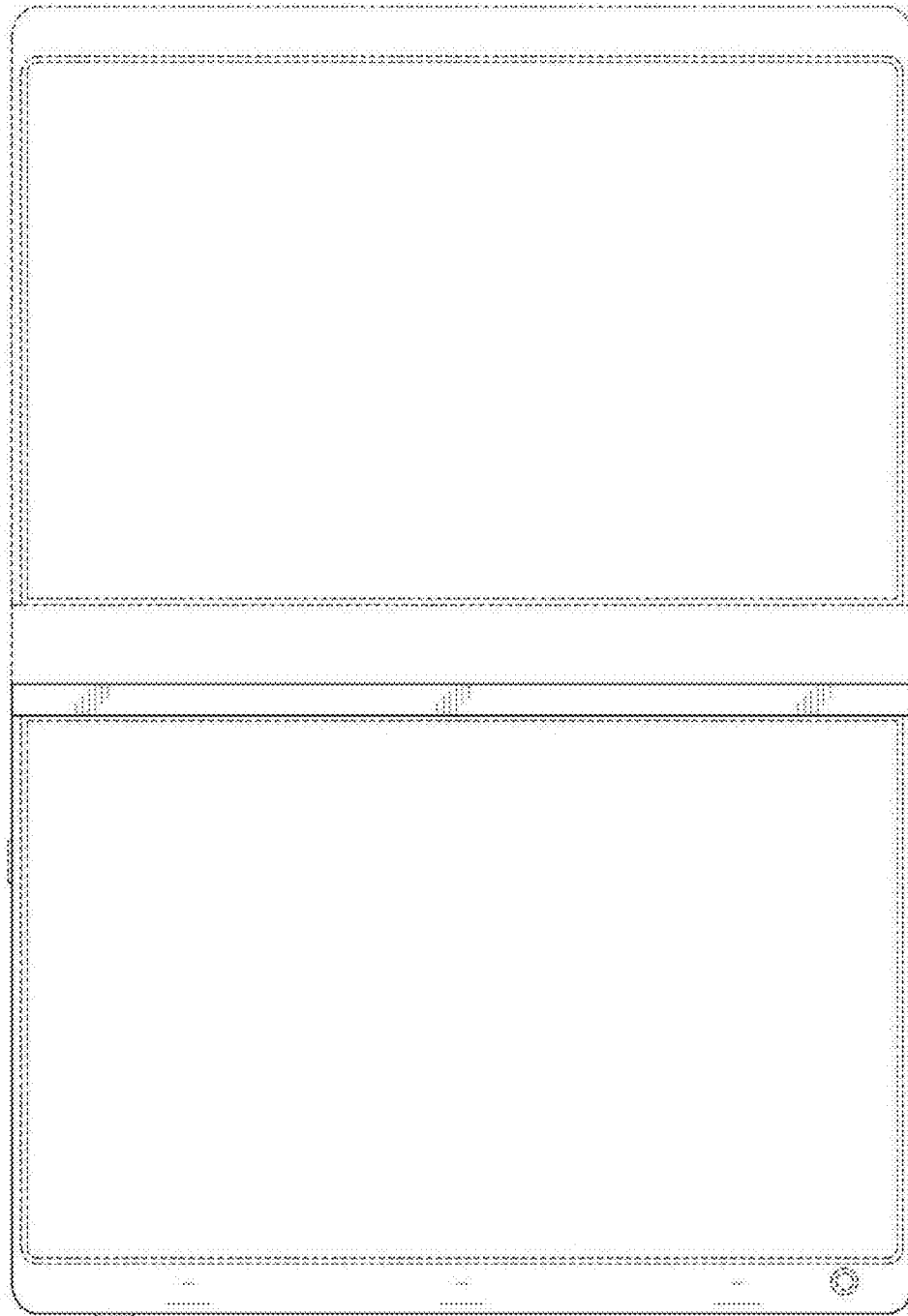


FIG. 3

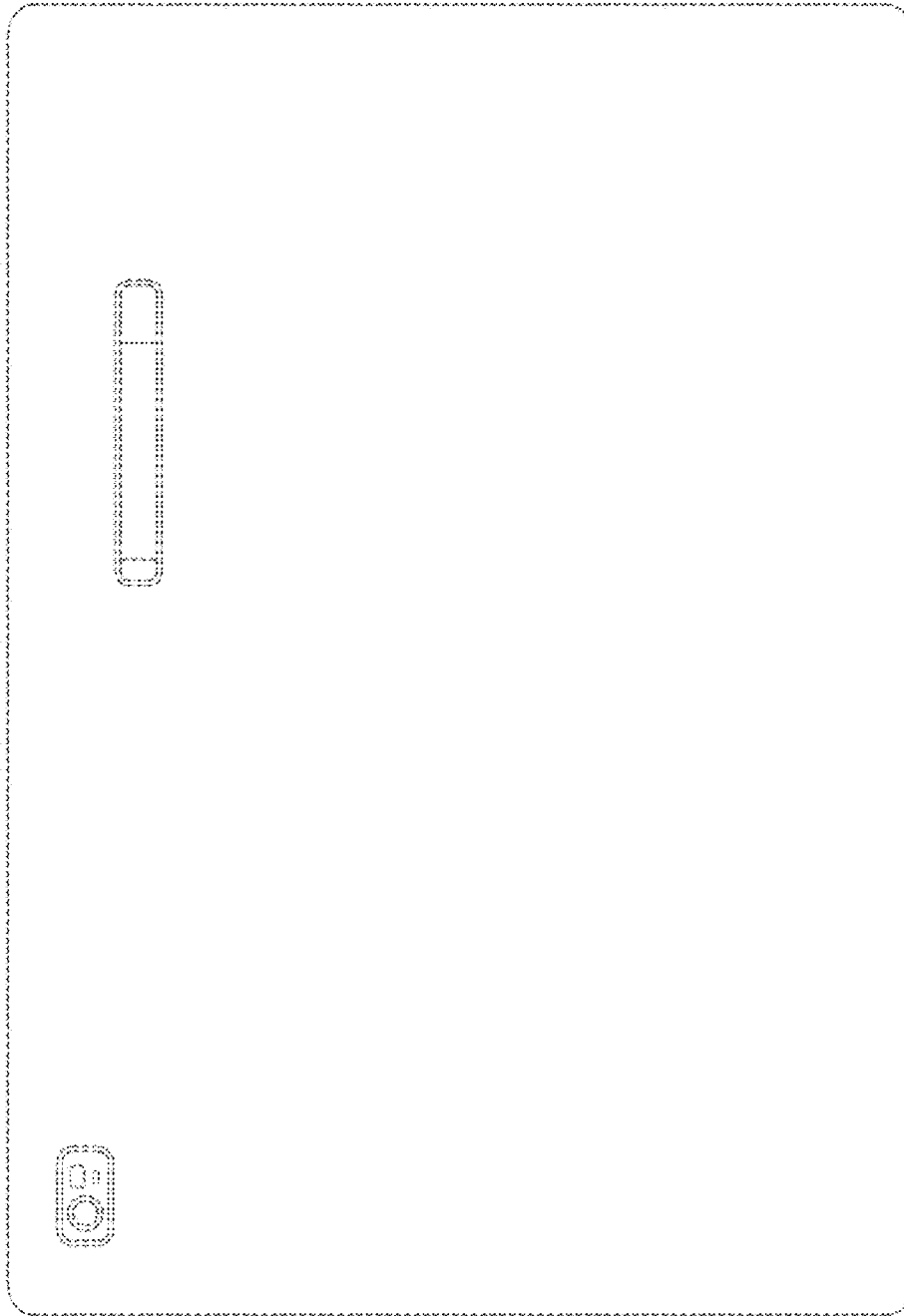


FIG. 4

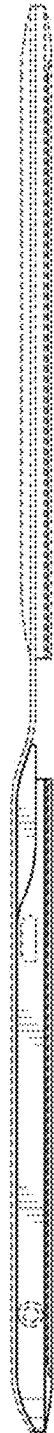


FIG. 5

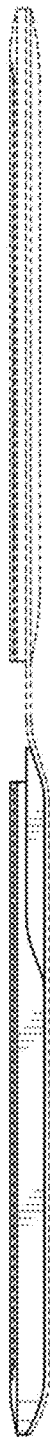


FIG. 6



FIG. 7

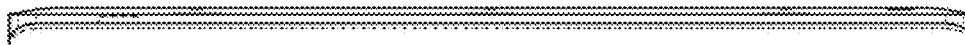


FIG. 8

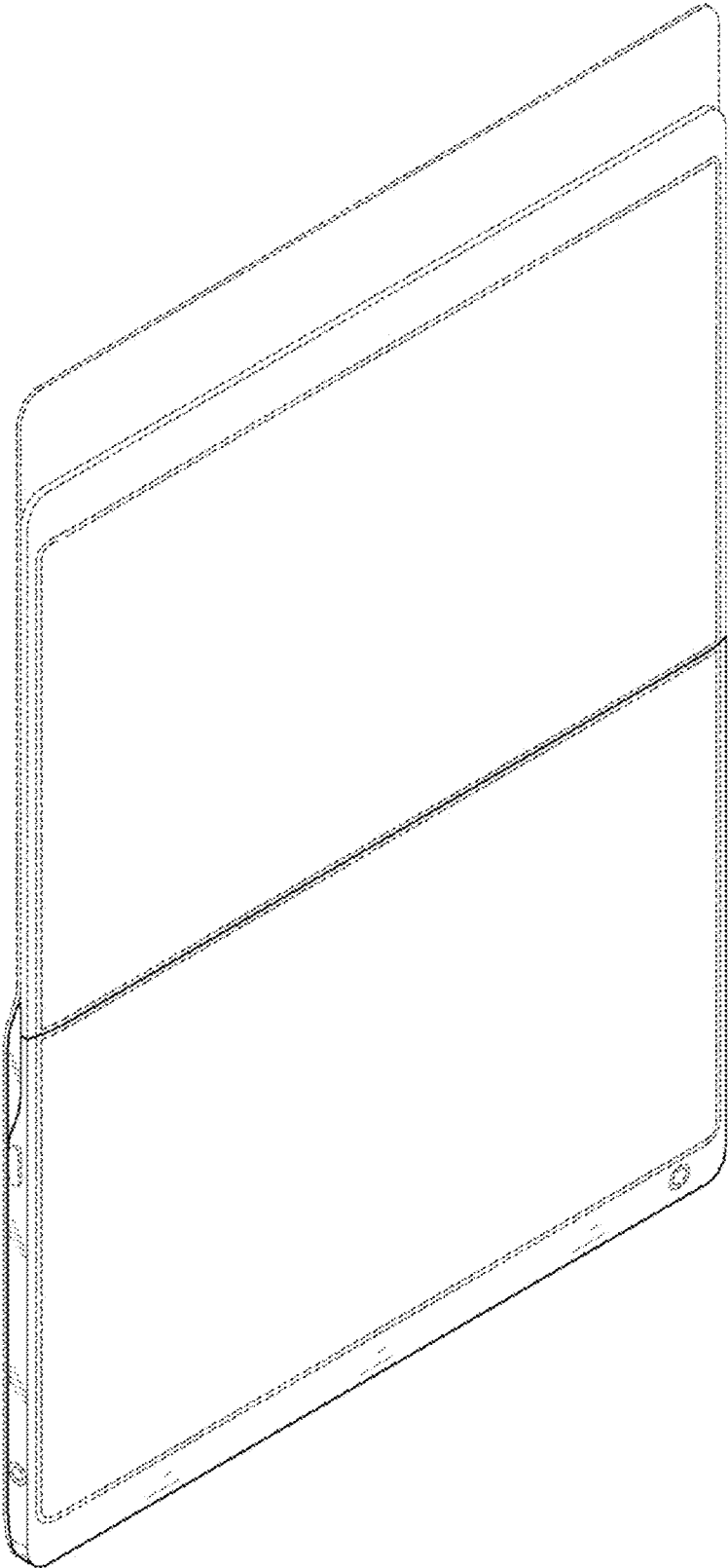


FIG. 9

