



US00D875185S

(12) **United States Design Patent**  
**Zeng**

(10) **Patent No.:** **US D875,185 S**

(45) **Date of Patent:** **\*\* Feb. 11, 2020**

(54) **CARD DELIVERING TOY**

(71) Applicant: **Ming-He Zeng**, Jian (CN)

(72) Inventor: **Ming-He Zeng**, Jian (CN)

(\*\*) Term: **15 Years**

(21) Appl. No.: **29/675,018**

(22) Filed: **Dec. 28, 2018**

(51) **LOC (12) Cl.** ..... **21-01**

(52) **U.S. Cl.**  
USPC ..... **D21/552**

(58) **Field of Classification Search**  
USPC ..... D21/533, 534, 535, 536, 552, 559, 560,  
D21/561, 562; D12/93, 94, 95, 96, 97,  
D12/98, 99, 100  
CPC ..... A63H 17/05; A63H 17/06; A63H 17/08;  
A63H 17/10  
See application file for complete search history.

(56) **References Cited**

**U.S. PATENT DOCUMENTS**

D230,176 S \* 1/1974 Smart ..... D21/558  
D382,922 S \* 8/1997 Dirden ..... D21/552  
D450,785 S \* 11/2001 Walls ..... D21/552

D459,411 S \* 6/2002 Berger ..... D21/552  
D564,045 S \* 3/2008 Fallas ..... D21/434  
D643,340 S \* 8/2011 Pottieri ..... D12/98  
D652,353 S \* 1/2012 Cohen ..... D12/93  
D653,993 S \* 2/2012 Cohen ..... D12/93  
D836,491 S \* 12/2018 Elbaz ..... D12/93

\* cited by examiner

*Primary Examiner* — George D. Kirschbaum  
*Assistant Examiner* — Joseph J Kukella  
(74) *Attorney, Agent, or Firm* — ScienBiziP, P.C.

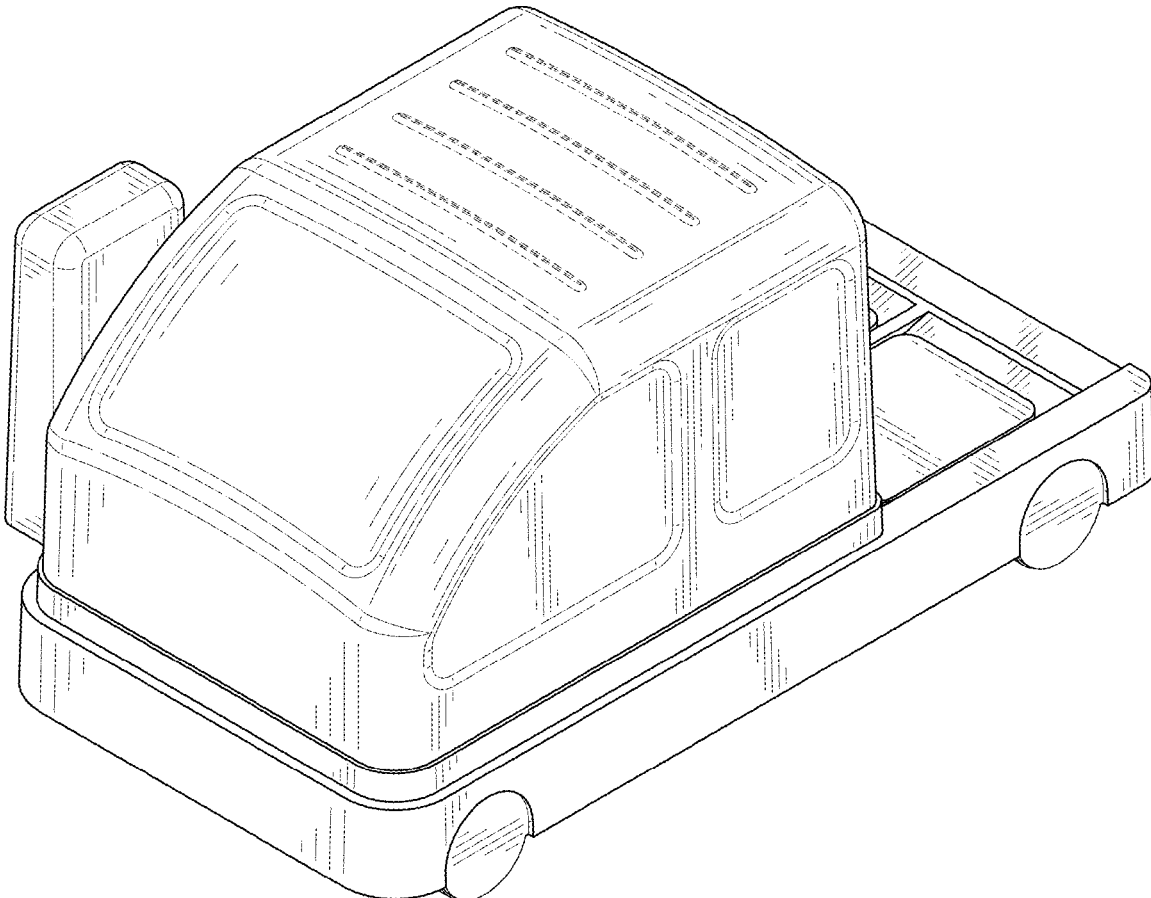
(57) **CLAIM**

The ornamental design for card delivering toy, as shown and described.

**DESCRIPTION**

FIG. 1 is a first perspective view of card delivering toy showing the claimed new design;  
FIG. 2 is a second perspective view thereof;  
FIG. 3 is a front elevation view thereof;  
FIG. 4 is a rear elevation view thereof.  
FIG. 5 is a left side elevation view thereof;  
FIG. 6 is a right side elevation view thereof;  
FIG. 7 is a top plan view thereof; and,  
FIG. 8 is a bottom plan view thereof.  
In the drawings, the broken lines depict portions of the article that form no part of the claimed design.

**1 Claim, 8 Drawing Sheets**



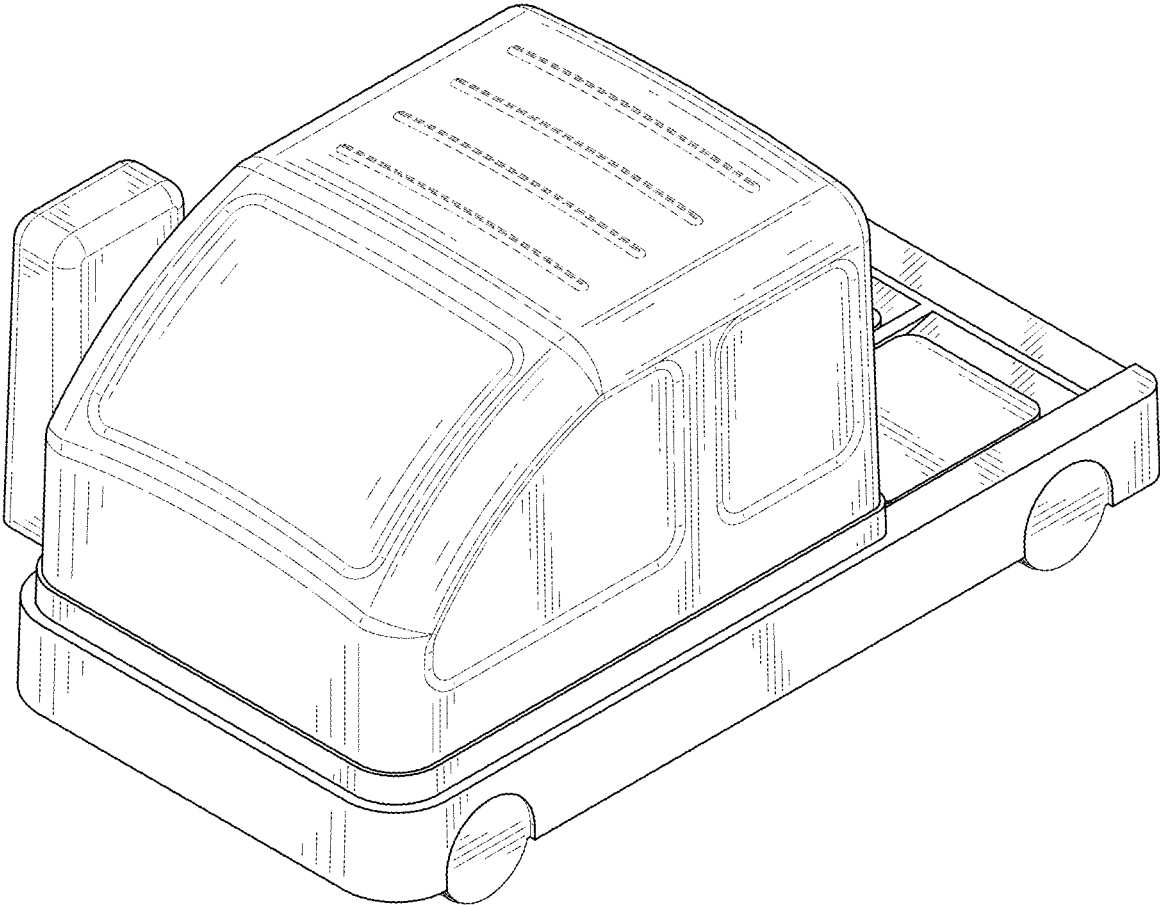


FIG. 1

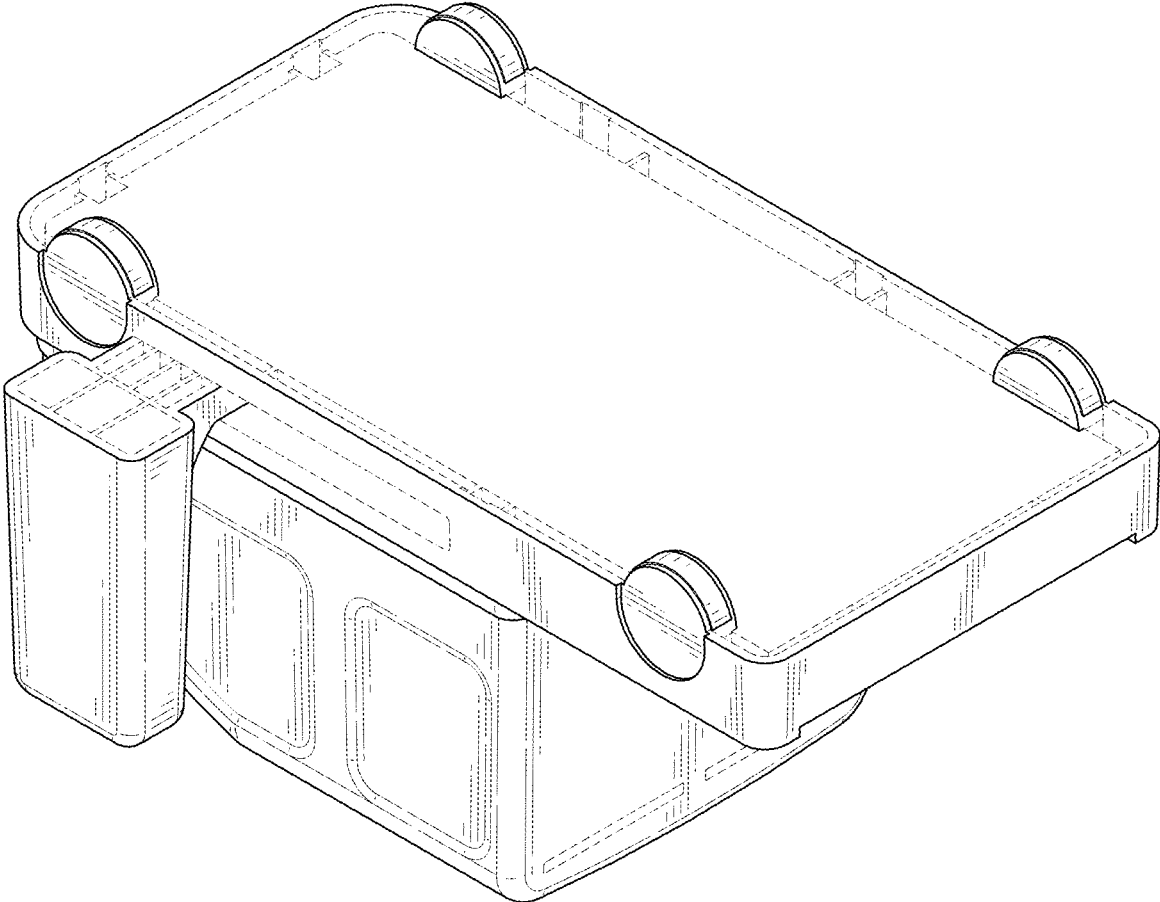


FIG. 2

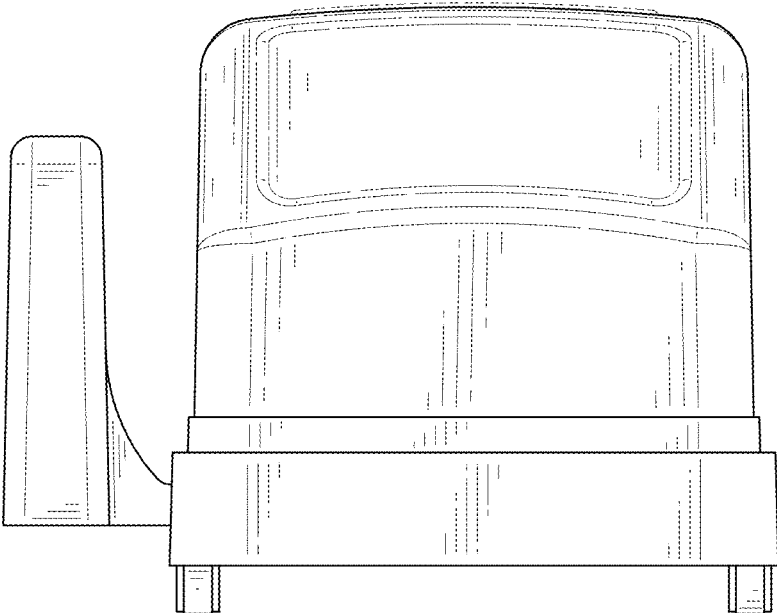


FIG. 3

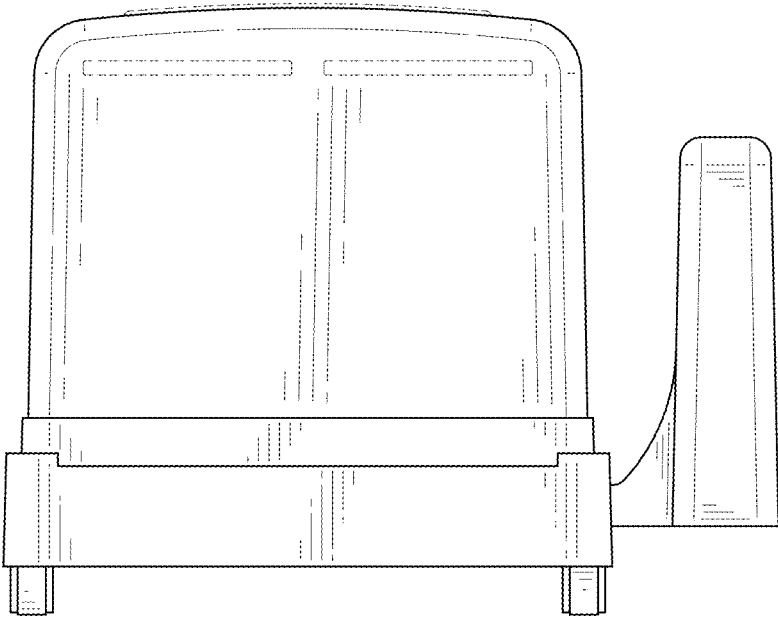


FIG. 4

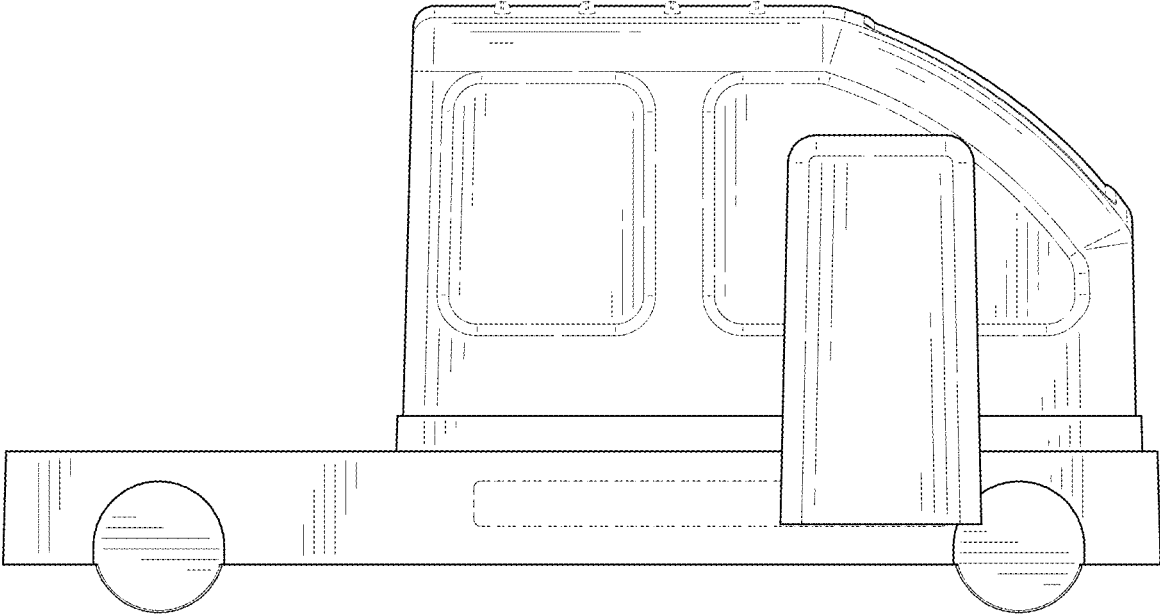


FIG. 5

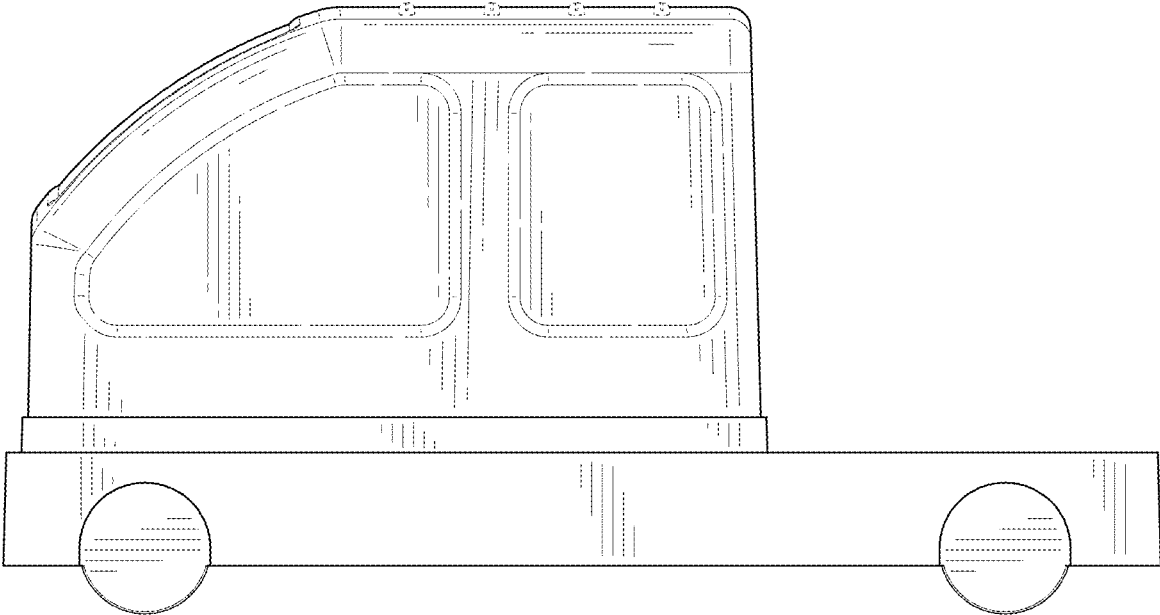


FIG. 6

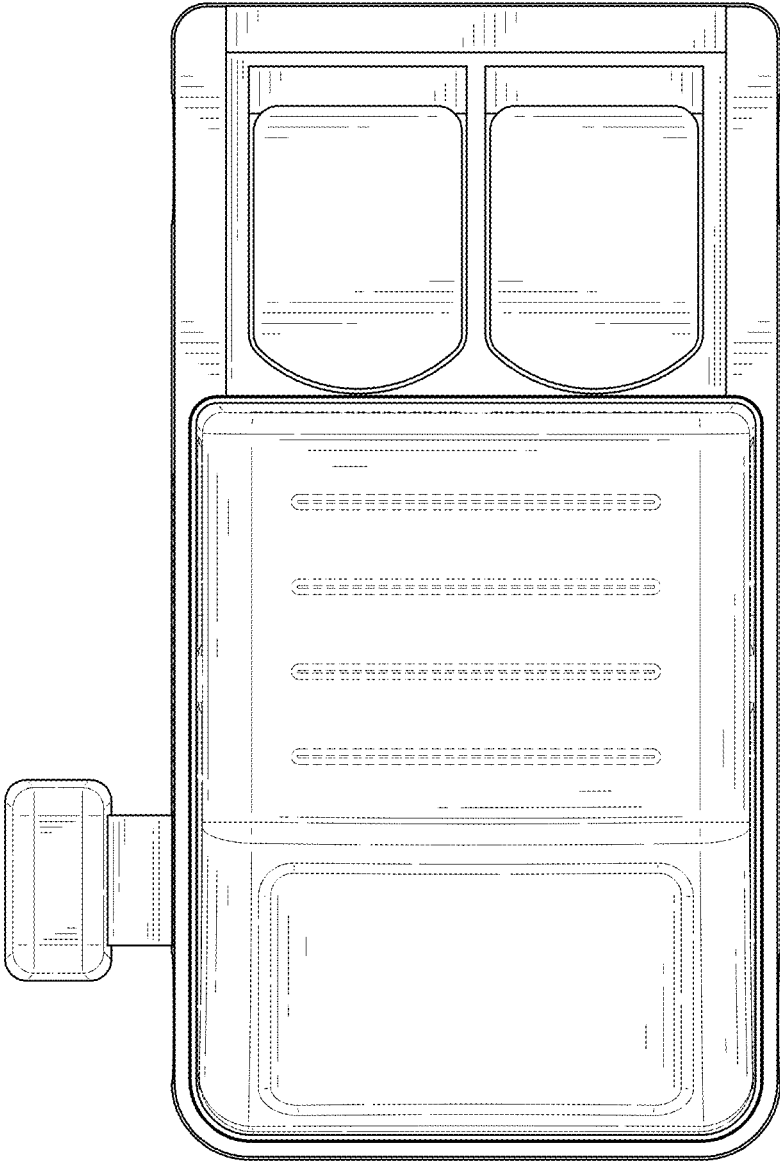


FIG. 7



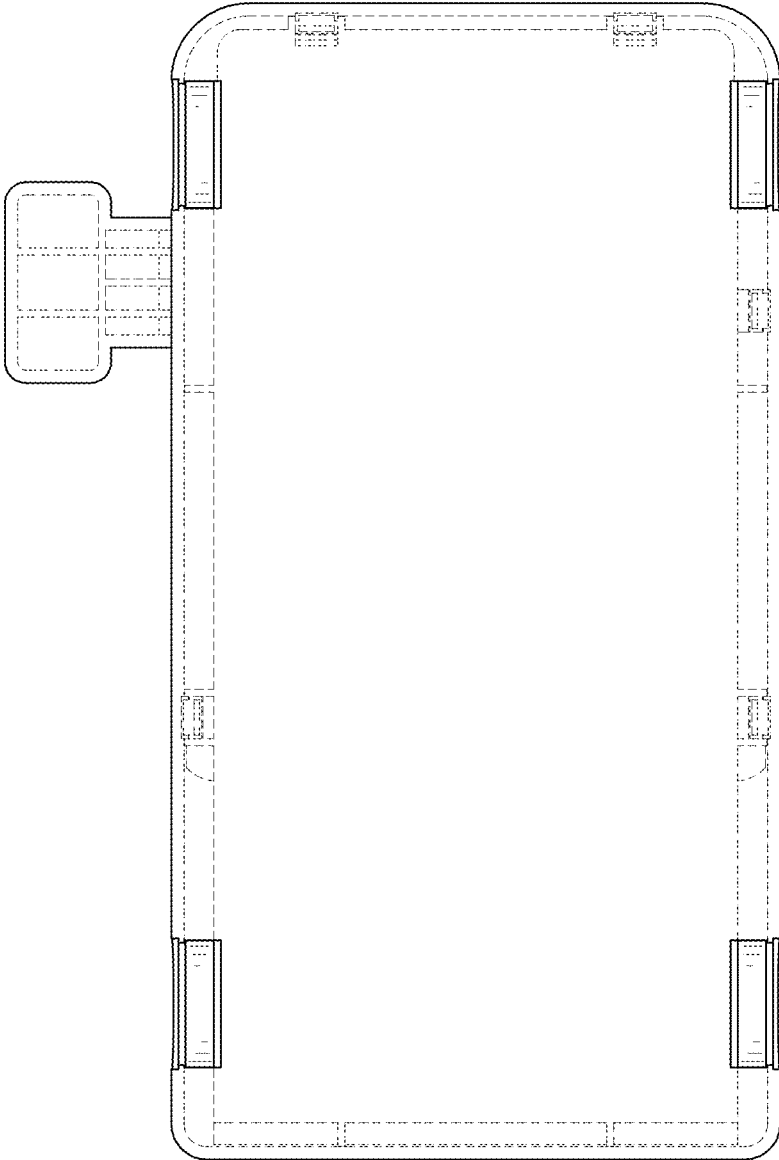


FIG. 8