



US0D1020387S

(12) **United States Design Patent**
Lapsker

(10) **Patent No.:** **US D1,020,387 S**

(45) **Date of Patent:** **** Apr. 2, 2024**

(54) **BEVERAGEWARE**

D941,638 S * 1/2022 Seiders D7/608
D943,357 S * 2/2022 Seiders D7/608
11,272,809 B2 * 3/2022 Petrillo B65D 81/3867

(Continued)

(71) Applicant: **R.A.M. Development, Inc.**, Concord (CA)

(72) Inventor: **Mason Lapsker**, Richmond Hill (CA)

FOREIGN PATENT DOCUMENTS

(73) Assignee: **RAM DEVELOPMENT HOLDCO, INC.**, Concord (CA)

CN 306153727 * 11/2020
CN 307064546 * 1/2022

(Continued)

(**) Term: **15 Years**

OTHER PUBLICATIONS

(21) Appl. No.: **29/866,760**

Takeya Bottle, Jan. 7, 2022, <https://www.amazon.com/Takeya-Motivational-BPA-Free-Plastic-Vivacity/dp/B09PZJQSYX> (Year: 2022).*

(Continued)

(22) Filed: **Sep. 27, 2022**

(51) **LOC (14) Cl.** **07-01**

(52) **U.S. Cl.**

USPC **D7/396.2; D7/392.1**

(58) **Field of Classification Search**

USPC D7/300.1, 394, 395, 507, 509, 510, 511,
D7/523, 532, 531, 533, 534, 536, 608,
D7/392.1, 396.2; D24/197; D9/435;
220/592.16, 592.17

CPC A47G 19/22; A47G 19/2205; A47G
19/2211; A47G 19/2266; A47G 19/2288;
B65D 47/066; A47J 43/27; A47J 41/02

See application file for complete search history.

Primary Examiner — Brett Miller

Assistant Examiner — Nader Abadir

(74) *Attorney, Agent, or Firm* — Hodgson Russ LLP

(57)

CLAIM

The ornamental design for beverageware, as shown and described.

DESCRIPTION

FIG. 1 is a front, top, right perspective view of beverageware showing my new design;

FIG. 2 is a front, top, right perspective view, showing the top of the beverageware removed from its base;

FIG. 3 is a rear, bottom, right perspective view thereof;

FIG. 4 is a front elevation view thereof;

FIG. 5 is a rear elevation view thereof;

FIG. 6 is a left side elevation view thereof;

FIG. 7 is right side elevation view thereof;

FIG. 8 is a top plan view thereof; and,

FIG. 9 is a bottom plan view thereof.

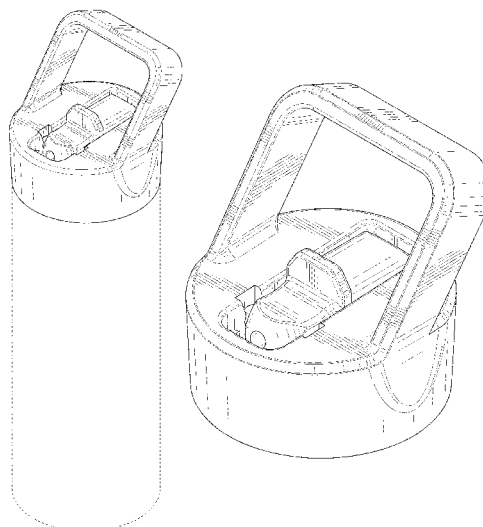
The broken lines illustrate portions of the beverageware that form no part of the claimed design.

1 Claim, 9 Drawing Sheets

(56) **References Cited**

U.S. PATENT DOCUMENTS

D658,448 S * 5/2012 Ying D7/608
D675,100 S * 1/2013 Herbst D7/511
D728,315 S * 5/2015 Bo D7/511
D839,675 S * 2/2019 Beckman D7/511
D873,610 S * 1/2020 Stanton D7/511
10,669,081 B2 * 6/2020 Sullivan B65D 81/3841
D899,190 S * 10/2020 Jacobsen D7/511
D925,984 S * 7/2021 Gispert B65D 47/066
D7/509
D930,437 S * 9/2021 Papparo D7/510
D935,268 S * 11/2021 Bullock D9/449
D939,282 S * 12/2021 Delgado Carmona D7/510



(56)

References Cited

U.S. PATENT DOCUMENTS

D948,288 S * 4/2022 Aranda D7/511
D948,945 S * 4/2022 Jacobsen D7/511
D951,023 S * 5/2022 Bodum D7/510
D951,712 S * 5/2022 Bodum D7/510
D955,818 S * 6/2022 Ames D7/511
D959,914 S * 8/2022 Koide D7/511
D959,916 S * 8/2022 Koide D9/503
D960,659 S * 8/2022 Seiders D7/608
2018/0221836 A1 * 8/2018 Ni B01F 35/2115
2018/0334280 A1 * 11/2018 Ni H02J 7/0044

FOREIGN PATENT DOCUMENTS

JP D1684032 * 4/2021
WO D218962-001 * 2/2022
WO D218988-001 * 2/2022

OTHER PUBLICATIONS

CamelBak Bottle, Dec. 16, 2020, <https://www.amazon.com/CamelBak-Water-Bottle-Tritan-Renew/dp/B08QTW8FQS> (Year: 2020).*
Coleman Bottle, Oct. 18, 2017, <https://www.amazon.com/Coleman-FreeFlow-AUTOSEAL-Insulated-Stainless/dp/B076JLCN2D> (Year: 2017).*
Wetoweto Bottle, Jun. 15, 2022, <https://www.amazon.com/WETOWETO-Tumbler-Stainless-Insulated-Spill-Proof/dp/B0B45FZP3B> (Year: 2022).*
Icewater Bottle, May 26, 2022, <https://www.amazon.com/ICEWATER-32-Insulated-Stainless-32-Fire/dp/B0B25TKW4Z> (Year: 2022).*
Stanley Bottle, Feb. 18, 2022, <https://www.amazon.com/Stanley-Classic-IceFlowTM-Straw-Tumbler/dp/B09PL7GCHV> (Year: 2022).*
Bjpkpk Bottle, Jun. 7, 2021, <https://www.amazon.com/BJPKPK-Stainless-Bottles-Insulated-Sapphire/dp/B096RT13S3> (Year: 2021).*

* cited by examiner

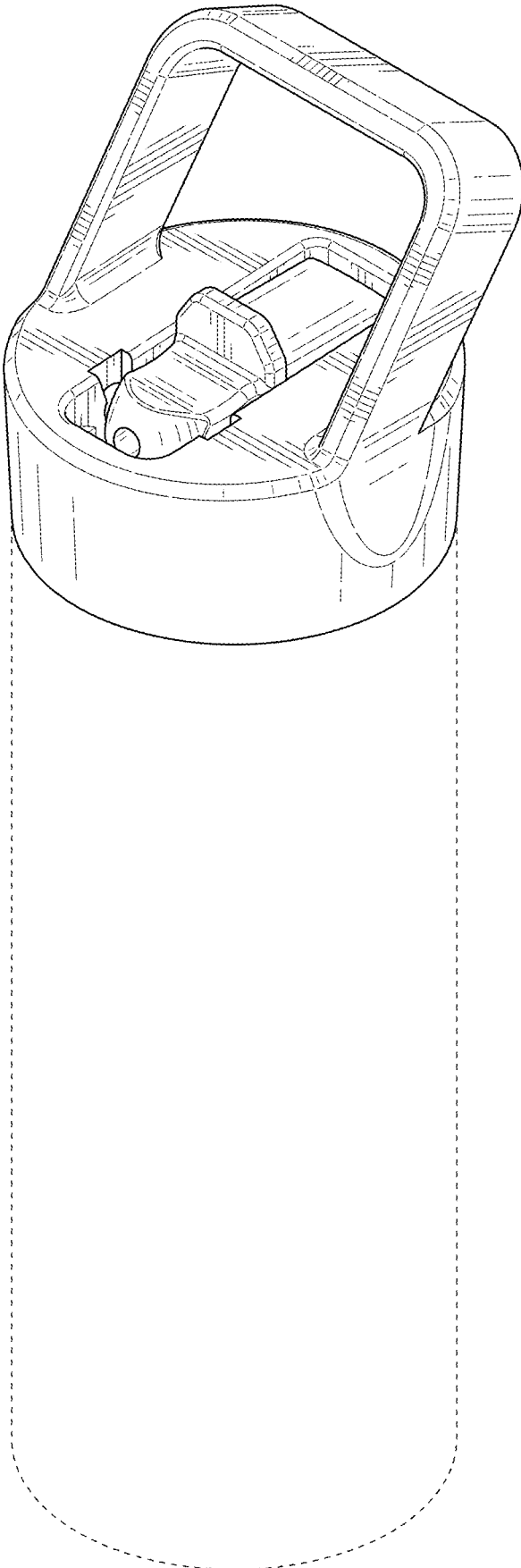


FIG. 1

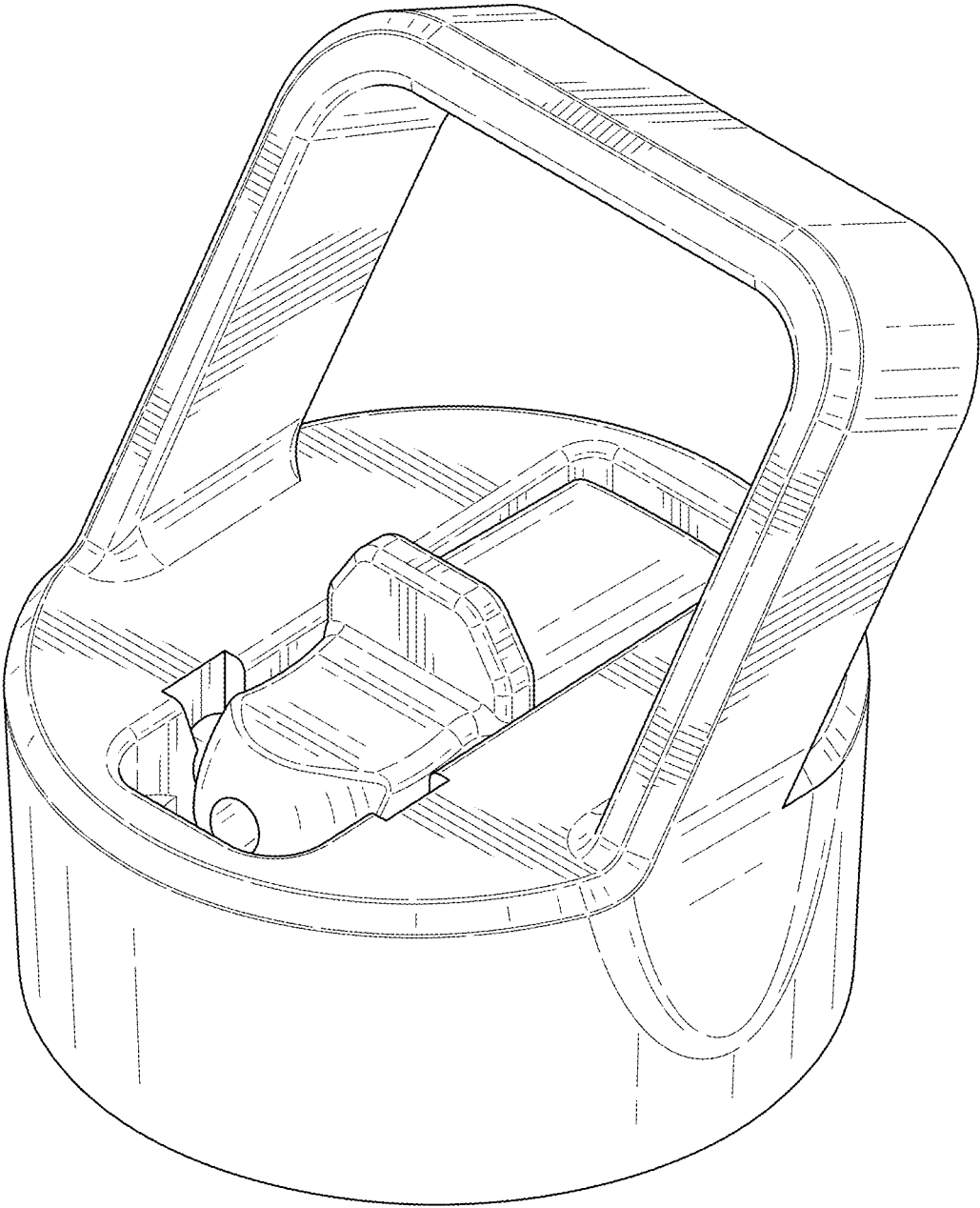


FIG. 2

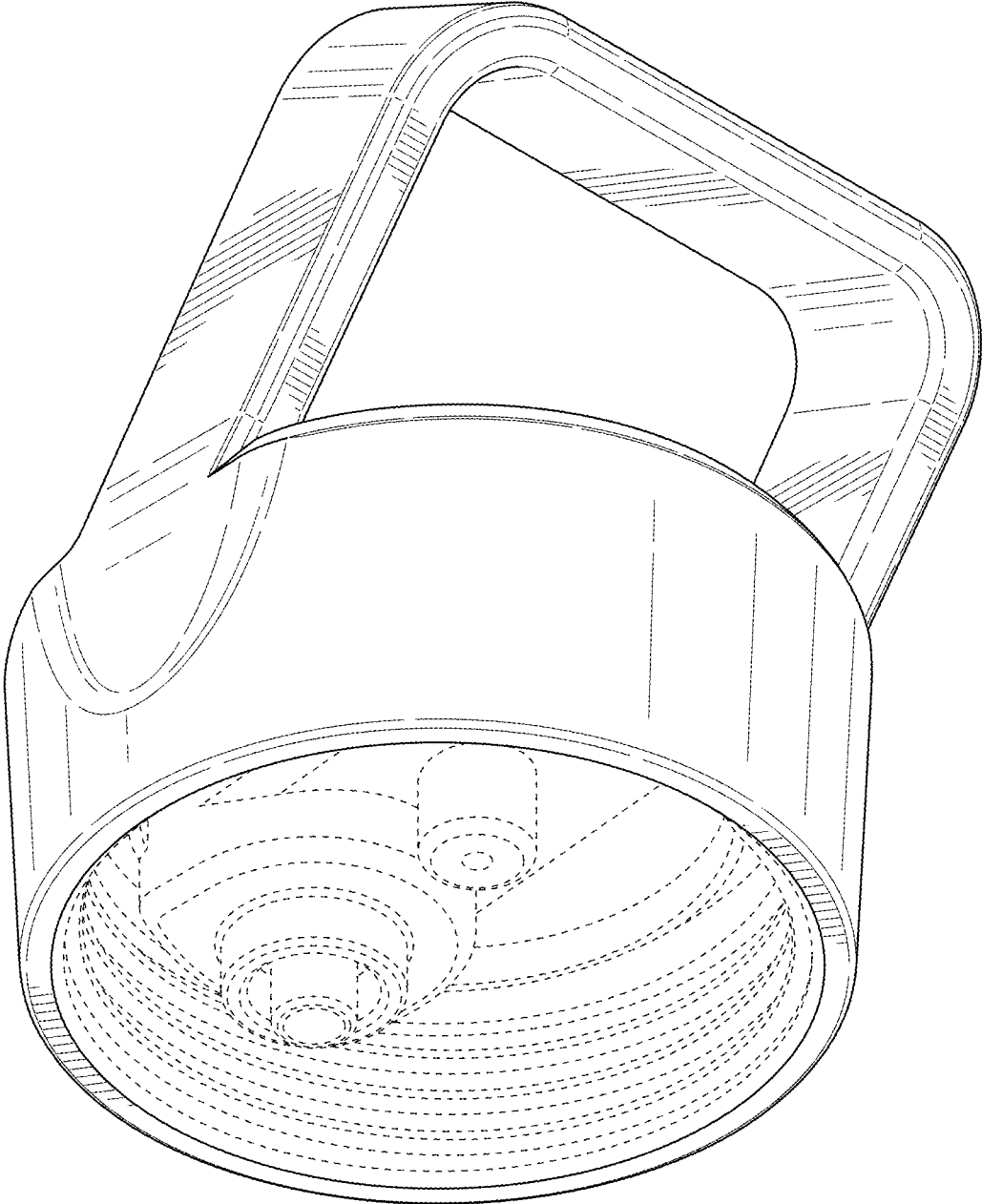


FIG. 3

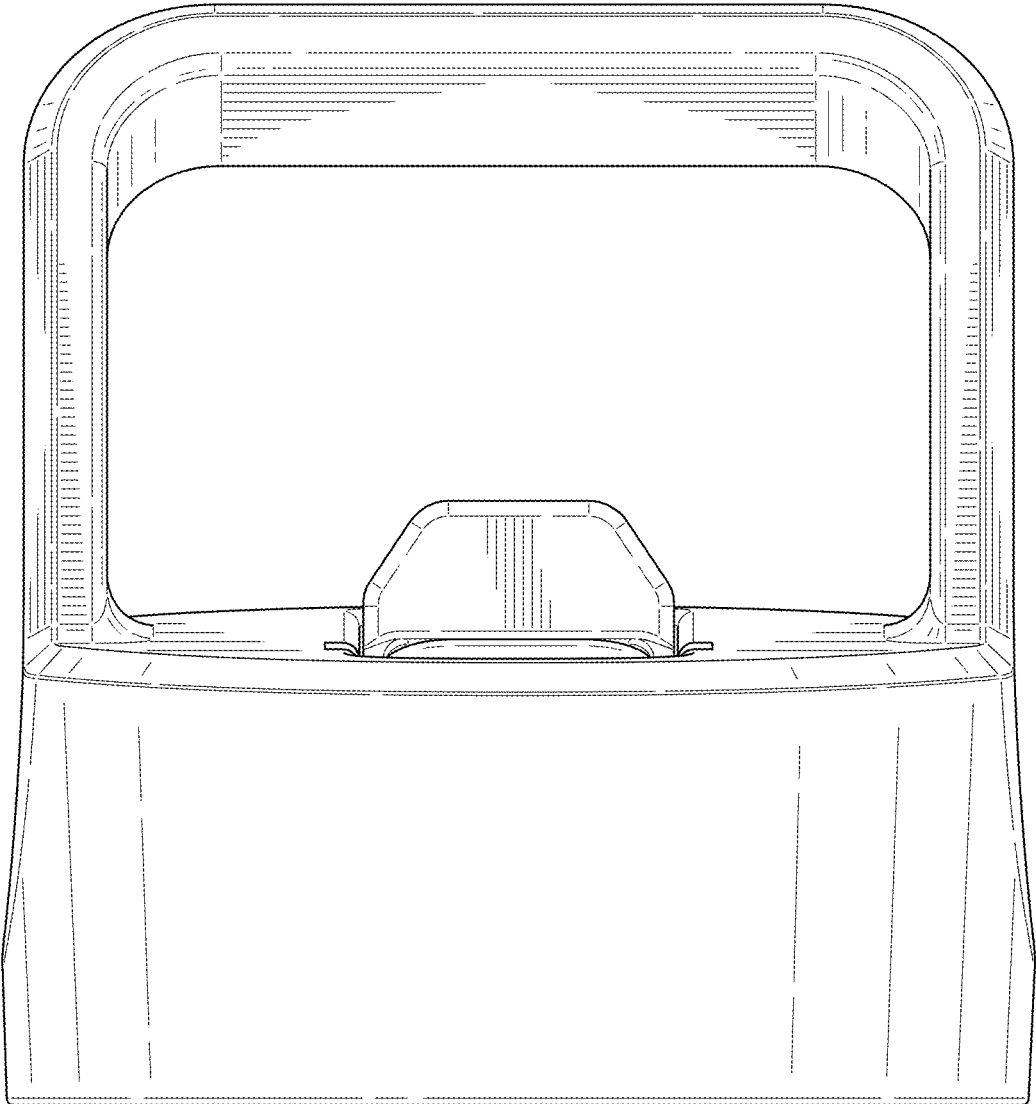


FIG. 4

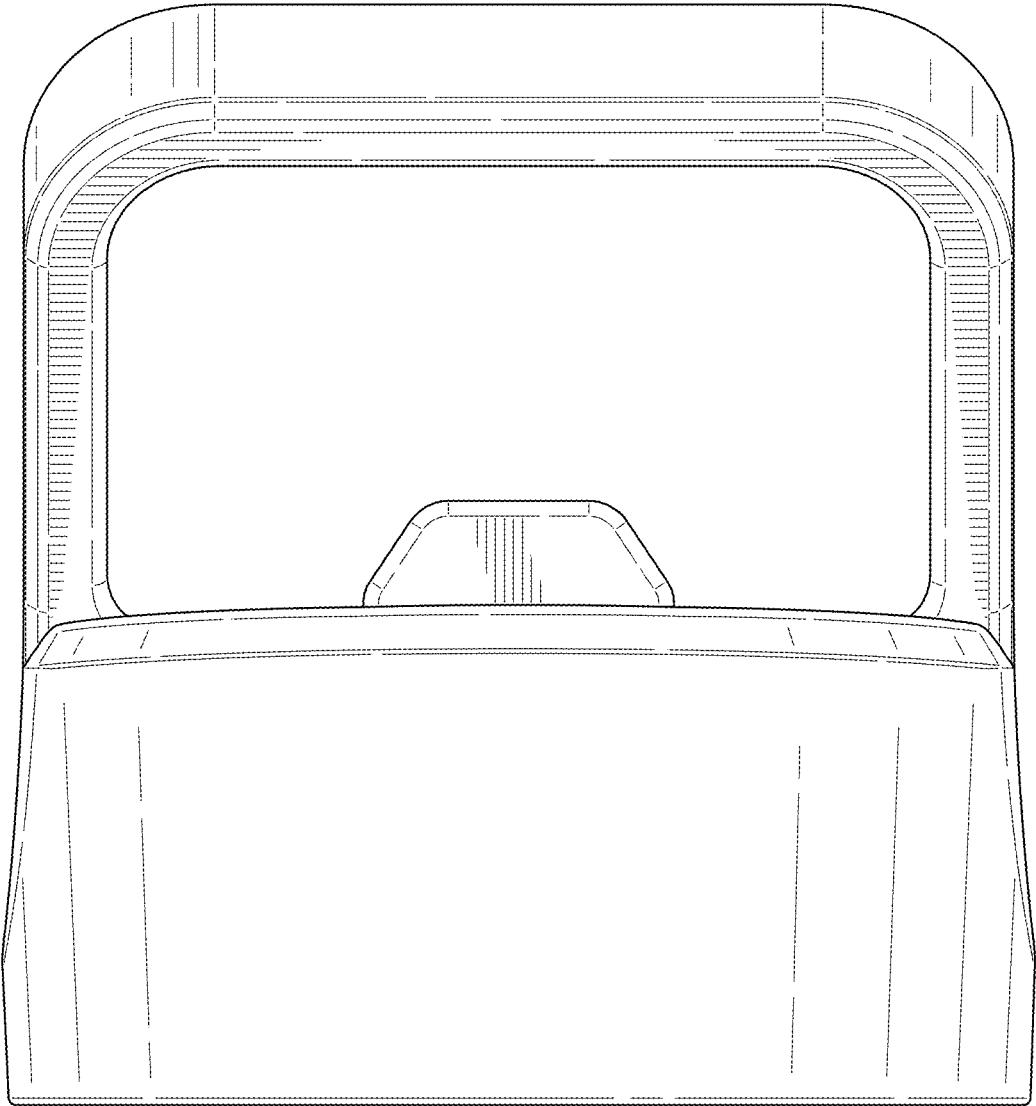


FIG. 5

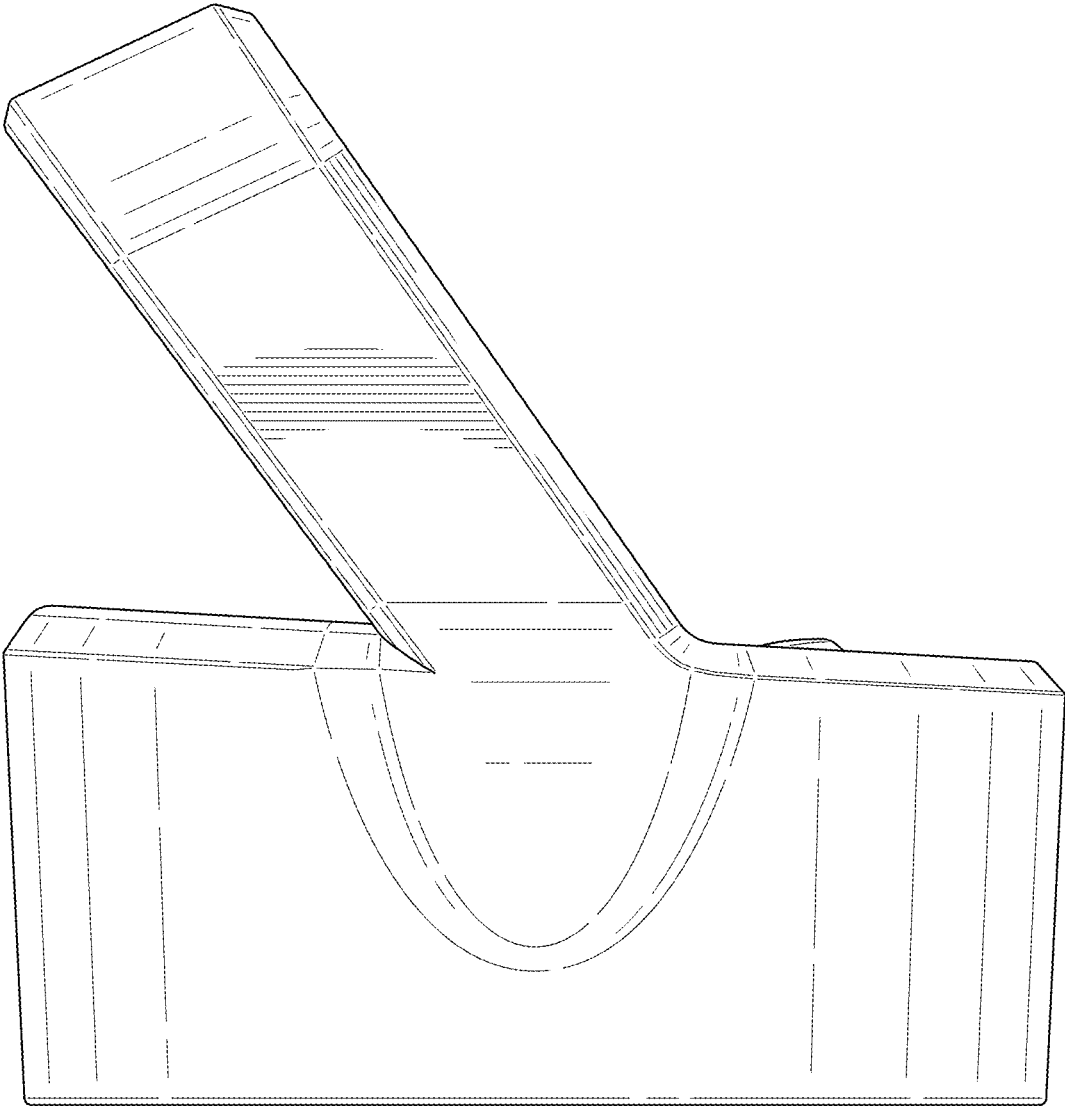


FIG. 6

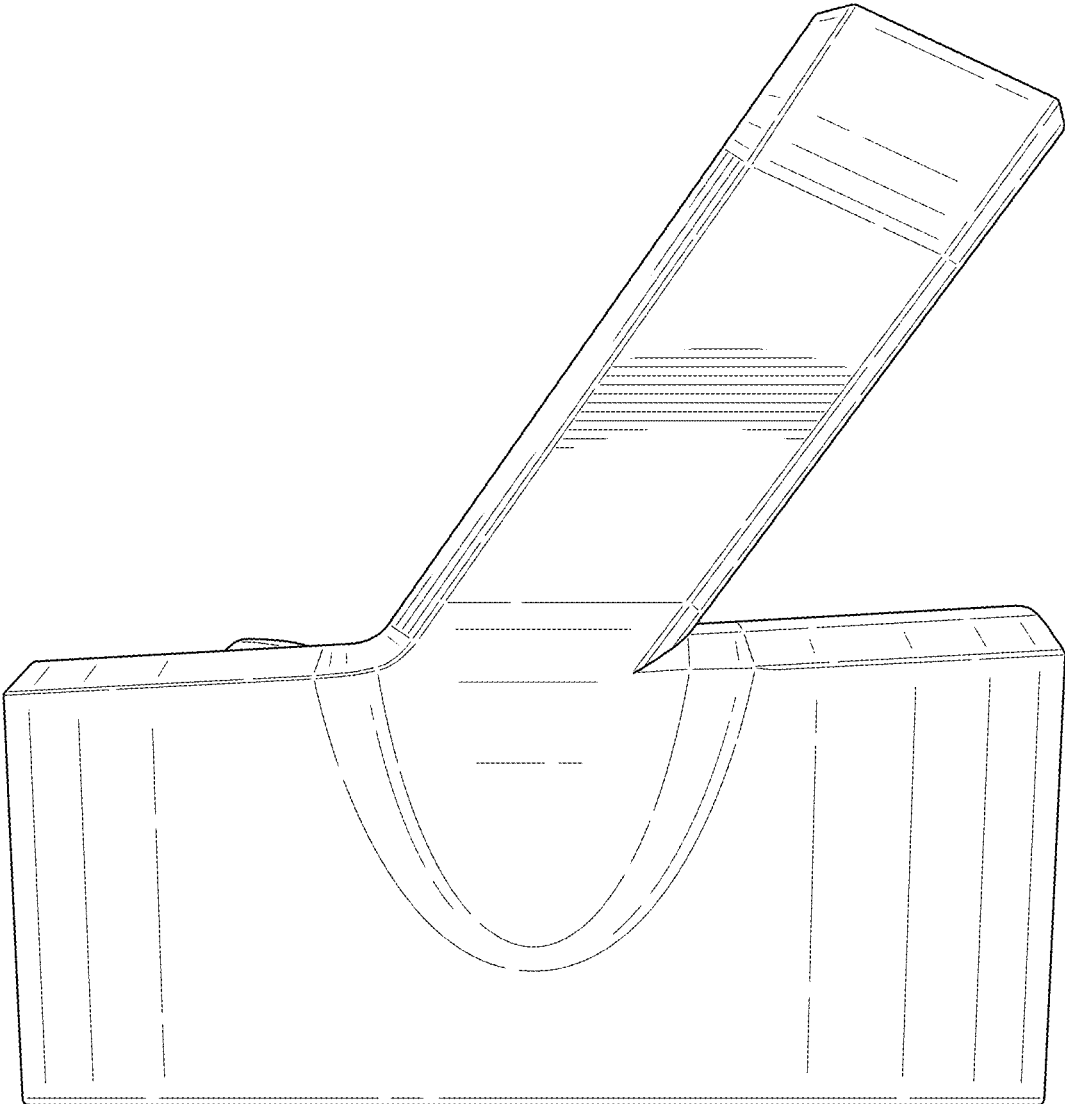


FIG. 7

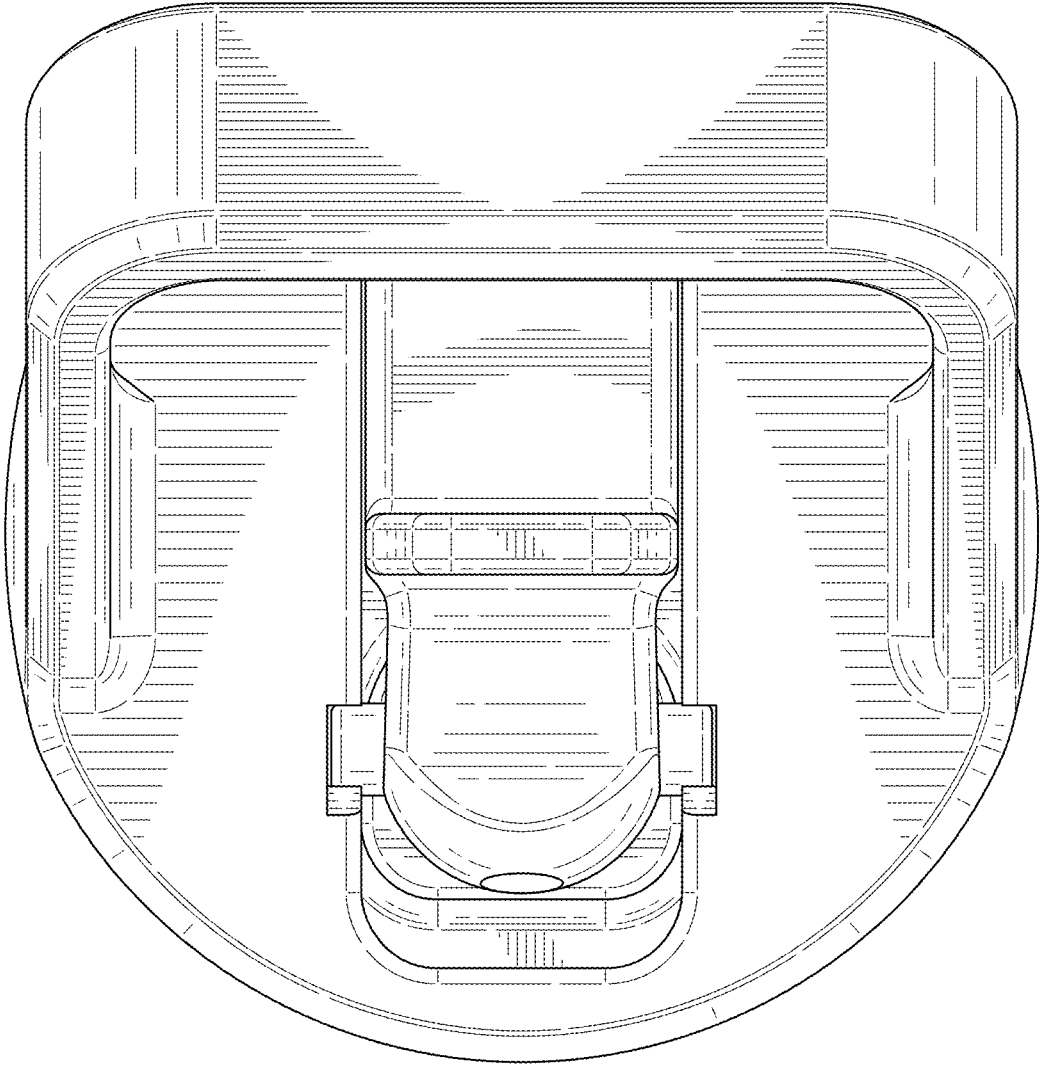


FIG. 8

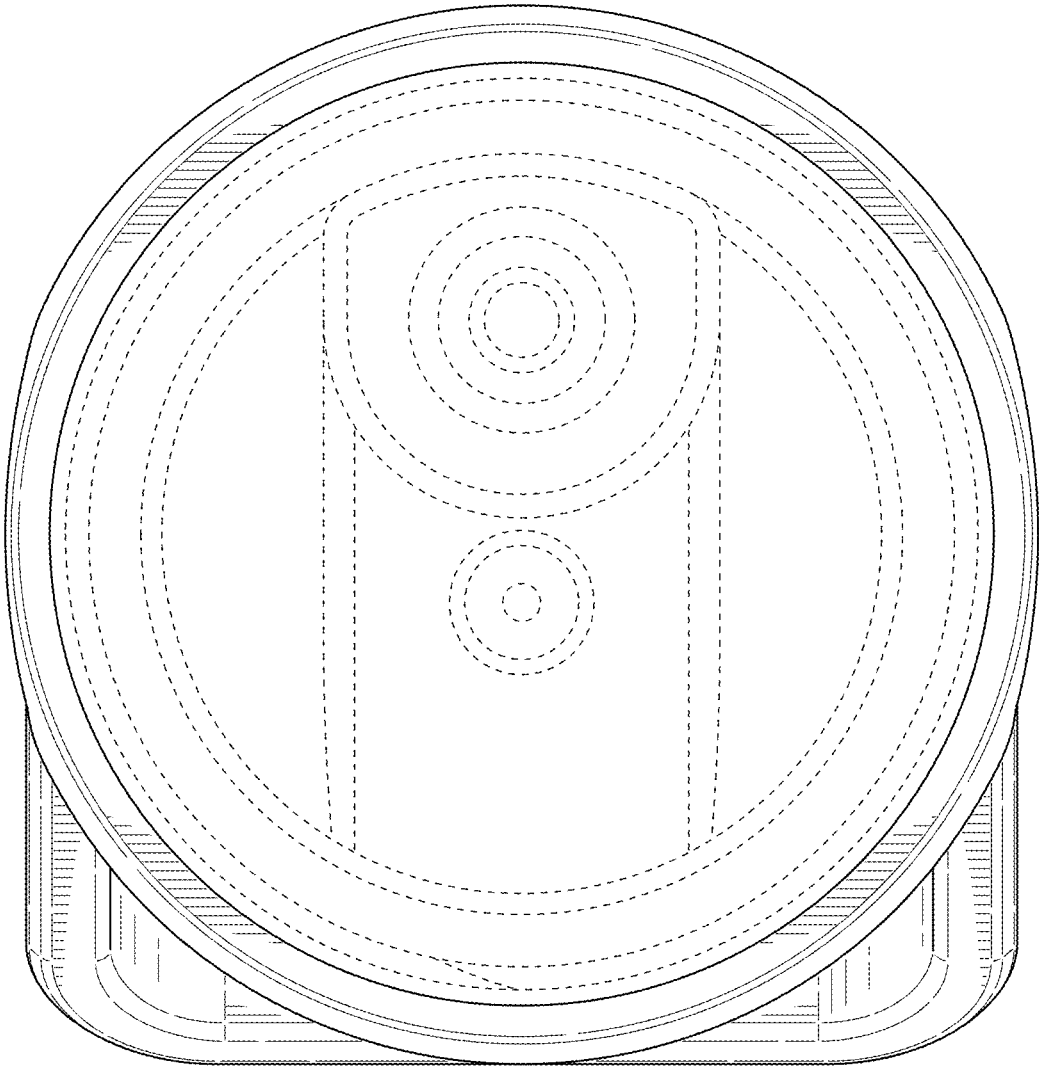


FIG. 9