



US00D391373S

United States Patent [19]
Shartle

[11] **Patent Number:** **Des. 391,373**
[45] **Date of Patent:** ****Feb. 24, 1998**

[54] **CUVETTE FOR LABORATORY SAMPLE**
[75] **Inventor:** **Robert J. Shartle**, Livermore, Calif.
[73] **Assignee:** **Biometric Imaging, Inc.**, Mountain View, Calif.
[**] **Term:** **14 Years**
[21] **Appl. No.:** **52,602**
[22] **Filed:** **Apr. 4, 1996**
[51] **LOC (6) Cl.** **24-01**
[52] **U.S. Cl.** **D24/224**
[58] **Field of Search** **D24/224, 216;**
435/810, 970; 436/808, 814, 906; 422/56,
58, 68.1, 104

4,673,657	6/1987	Christian	D24/223
4,908,112	3/1990	Pace	204/299 R
4,979,821	12/1990	Schutt et al.	356/246
5,000,923	3/1991	Coville et al.	422/102
5,049,487	9/1991	Phillips et al.	435/4
5,164,067	11/1992	Marsoner et al.	422/104
5,260,221	11/1993	Ramel et al.	D24/225
5,286,454	2/1994	Nilsson et al.	422/102
5,304,468	4/1994	Phillips et al.	435/14
5,320,808	6/1994	Holen et al.	422/64
5,430,542	7/1995	Shepherd	350/246

Primary Examiner—Stella Reid
Attorney, Agent, or Firm—Fulwider Patton Lee & Utecht, LLP

[57] **CLAIM**

The ornamental design for a cuvette for laboratory sample, as shown.

DESCRIPTION

FIG. 1 is a front, top left perspective view of a cuvette for laboratory sample, showing my new design;
FIG. 2 is a top plan view of the invention;
FIG. 3 is a left side elevational view with the right side elevational view being a mirror image thereof;
FIG. 4 is a bottom plan view of the invention;
FIG. 5 is a rear elevational view of the invention with the top side down;
FIG. 6 is a front elevational view of the invention; and,
FIG. 7 is a partial cross-section of the invention taken along the lines of 7-7 in FIG. 2.

1 Claim, 2 Drawing Sheets

[56] **References Cited**
U.S. PATENT DOCUMENTS

D. 302,294	7/1989	Hillman	D24/223
D. 310,265	8/1990	Mochnal et al.	D24/223
D. 333,185	2/1993	Anderson et al.	D24/225
D. 337,164	7/1993	Lauks et al.	D24/169
D. 341,663	11/1993	Coulter	D24/224 X
D. 342,575	12/1993	Ashihara et al.	D24/224
D. 351,913	10/1994	Hieb et al.	D24/225
D. 361,842	8/1995	Nazzareth et al.	D24/223 X
D. 366,938	2/1996	Shartle et al.	D24/224
D. 369,868	5/1996	Nazzareth et al.	D24/224 X
3,640,267	2/1972	Hurtig et al.	128/2
4,301,412	11/1981	Hill et al.	D24/169
4,318,994	3/1982	Meyer et al.	D24/224

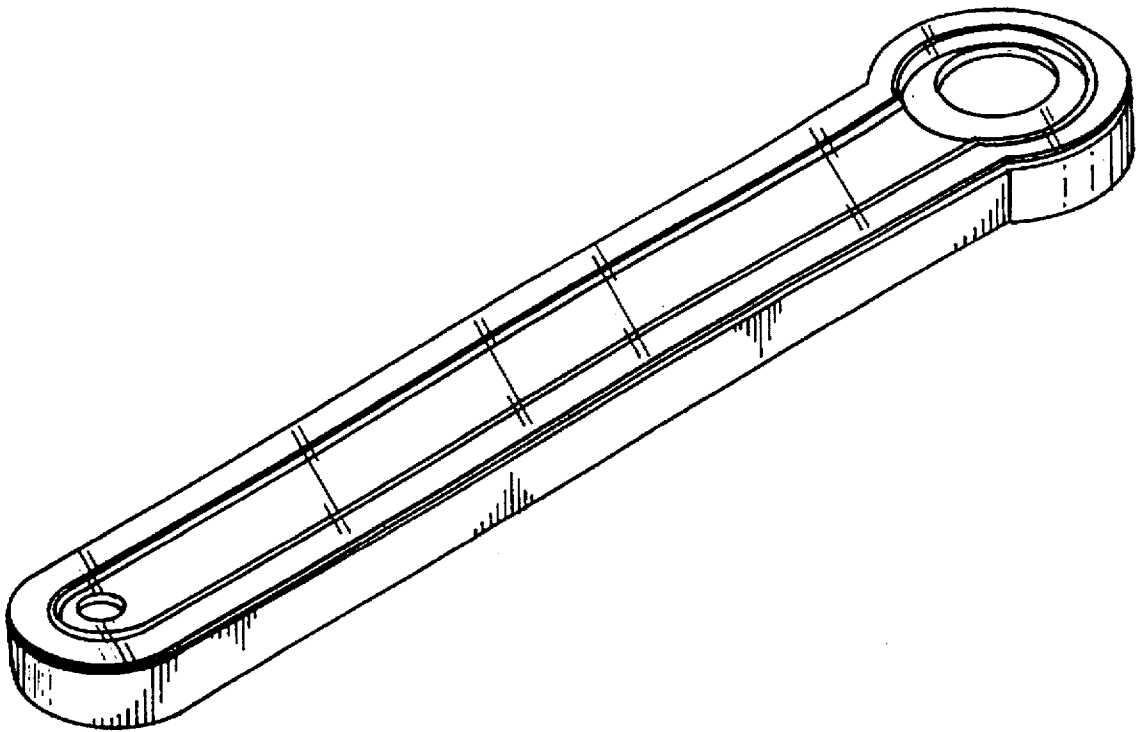


FIG. 1

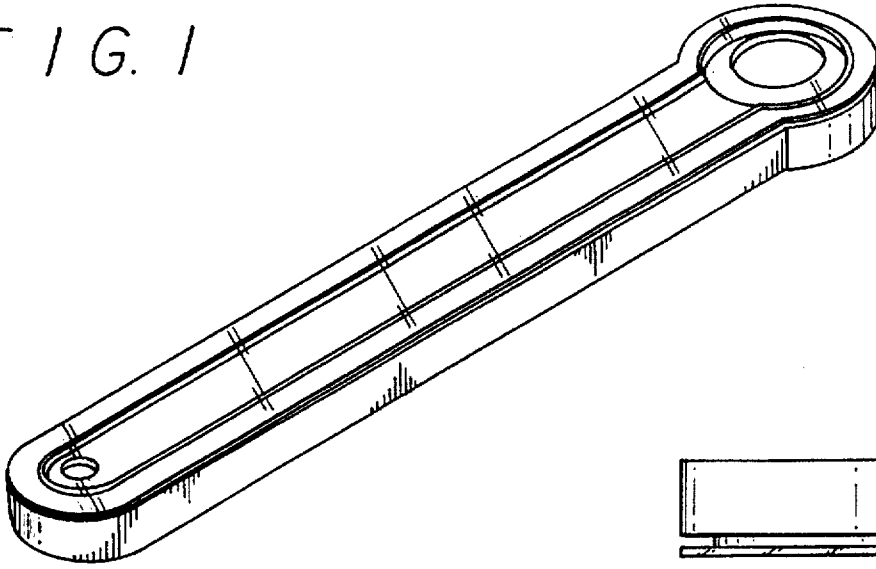


FIG. 5



FIG. 6

FIG. 7

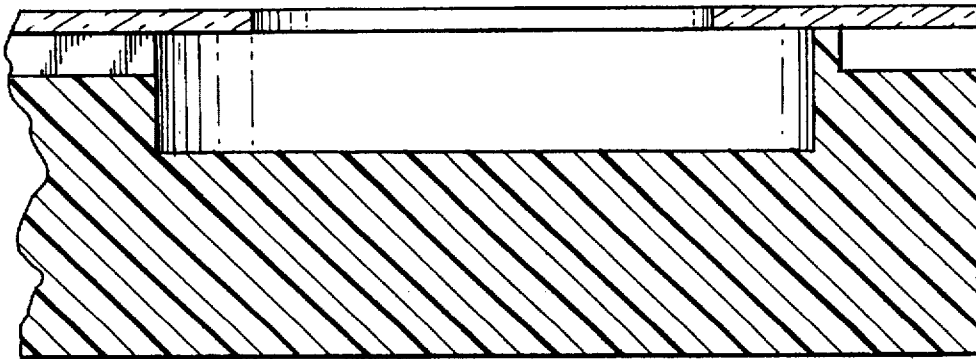


FIG. 2

FIG. 3

FIG. 4

