

(19) World Intellectual Property Organization
International Bureau



(43) International Publication Date
12 April 2001 (12.04.2001)

PCT

(10) International Publication Number
WO 01/25579 A3

(51) International Patent Classification⁷: E05G 1/00

(21) International Application Number: PCT/NO00/00331

(22) International Filing Date: 6 October 2000 (06.10.2000)

(25) Filing Language: English

(26) Publication Language: English

(30) Priority Data:
19994872 6 October 1999 (06.10.1999) NO

(71) Applicant and

(72) Inventor: ELLINGSEN, Terje [NO/NO]; Nesalleen 65,
N-3124 Tønsberg (NO).

(74) Agents: VEDDE, Toril et al.; Onsagers AS, P.O. Box 265
Sentrum, N-0103 Oslo (NO).

CH, CN, CR, CU, CZ, CZ (utility model), DE, DE (utility model), DK, DK (utility model), DM, DZ, EE, EE (utility model), ES, FI, FI (utility model), GB, GD, GE, GH, GM, HR, HU, ID, IL, IN, IS, JP, KE, KG, KP, KR, KR (utility model), KZ, LC, LK, LR, LS, LT, LU, LV, MA, MD, MG, MK, MN, MW, MX, MZ, NO, NZ, PL, PT, RO, RU, SD, SE, SG, SI, SK, SK (utility model), SL, TJ, TM, TR, TT, TZ, UA, UG, US, UZ, VN, YU, ZA, ZW.

(84) Designated States (*regional*): ARIPO patent (GH, GM, KE, LS, MW, MZ, SD, SL, SZ, TZ, UG, ZW), Eurasian patent (AM, AZ, BY, KG, KZ, MD, RU, TJ, TM), European patent (AT, BE, CH, CY, DE, DK, ES, FI, FR, GB, GR, IE, IT, LU, MC, NL, PT, SE), OAPI patent (BF, BJ, CF, CG, CI, CM, GA, GN, GW, ML, MR, NE, SN, TD, TG).

Published:

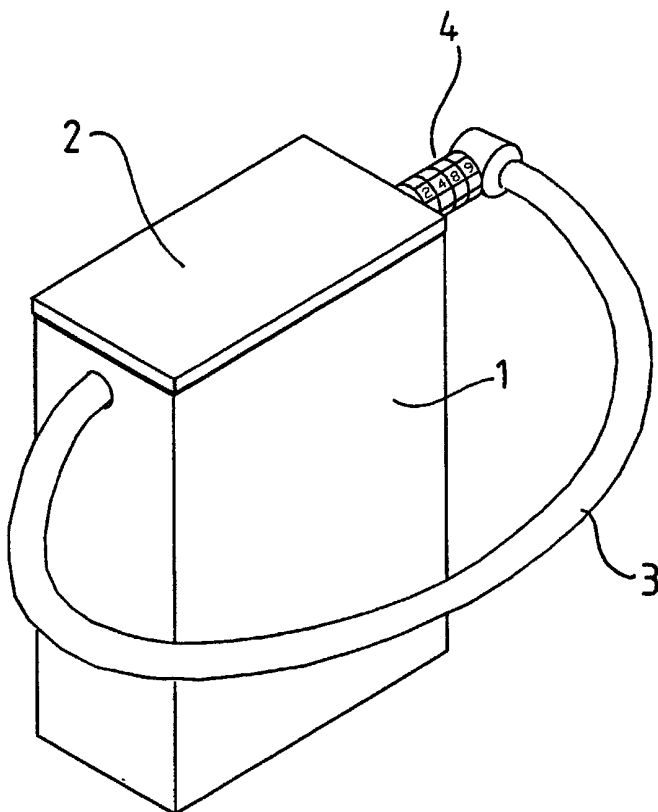
— with international search report

(81) Designated States (*national*): AE, AG, AL, AM, AT, AT (utility model), AU, AZ, BA, BB, BG, BR, BY, BZ, CA,

(88) Date of publication of the international search report:
18 October 2001

[Continued on next page]

(54) Title: TRAVEL SAFE



(57) Abstract: The present invention relates to a travel safe substantially consisting of a housing with a lid, which lid can be locked to the housing by a commonly known lock device of a rigid or flexible type, such as a cycle lock or the like. The invention especially relates to an adaptation of the safe's lid to the safe's housing in addition to the design of the lid and the housing which permit the use of a generally known lock device to connect housing and lid. The safe consists substantially of a housing (1) with an opening surrounded by a boundary edge (8) and two or more openings (6) formed in the housing's outer walls at a distance from the boundary edge (8), together with a lid (2), which lid (2) can be lockingly connected with the housing (1) at the housing's opening by means of a separate lock device (3) with a lock (4). The lid (2) is designed with a part (7, 7'), which part (7, 7') projects into the housing (1) past the openings (6) in the housing's outer walls when the lid is placed substantially in the opening in the housing (1). The housing is designed with two openings (6) in the housing's outer walls and when the lid is in position to lockably connect the housing (1) and the lid (2), the through-going opening (5) in the lid's (2) part (7, 7') is arranged in such a manner that the openings (6) in the housing (1) together with the opening (5) in the lid (2) form a through-going opening for accommodating the lock device (3).



WO 01/25579 A3



For two-letter codes and other abbreviations, refer to the "Guidance Notes on Codes and Abbreviations" appearing at the beginning of each regular issue of the PCT Gazette.

INTERNATIONAL SEARCH REPORT

International Application No
PCT/NO 00/00331

A. CLASSIFICATION OF SUBJECT MATTER IPC 7 E05G1/00		
According to International Patent Classification (IPC) or to both national classification and IPC		
B. FIELDS SEARCHED		
Minimum documentation searched (classification system followed by classification symbols) IPC 7 E05G E05B		
Documentation searched other than minimum documentation to the extent that such documents are included in the fields searched		
Electronic data base consulted during the international search (name of data base and, where practical, search terms used) EPO-Internal		
C. DOCUMENTS CONSIDERED TO BE RELEVANT		
Category °	Citation of document, with indication, where appropriate, of the relevant passages	Relevant to claim No.
X	WO 96 19632 A (BATTERT GUENTER) 27 June 1996 (1996-06-27) the whole document ---	1-3
A	GB 2 181 781 A (LUDLOW RUSSELL IVOR) 29 April 1987 (1987-04-29) the whole document ---	
A	GB 2 327 239 A (YATES LINCOLN) 20 January 1999 (1999-01-20) the whole document ---	
A	US 2 755 748 A (ABELL P. E. ,JR.) 24 July 1956 (1956-07-24) the whole document -----	
<input type="checkbox"/> Further documents are listed in the continuation of box C. <input checked="" type="checkbox"/> Patent family members are listed in annex.		
° Special categories of cited documents :		
"A" document defining the general state of the art which is not considered to be of particular relevance "E" earlier document but published on or after the international filing date "L" document which may throw doubts on priority claim(s) or which is cited to establish the publication date of another citation or other special reason (as specified) "O" document referring to an oral disclosure, use, exhibition or other means "P" document published prior to the international filing date but later than the priority date claimed		"T" later document published after the international filing date or priority date and not in conflict with the application but cited to understand the principle or theory underlying the invention "X" document of particular relevance; the claimed invention cannot be considered novel or cannot be considered to involve an inventive step when the document is taken alone "Y" document of particular relevance; the claimed invention cannot be considered to involve an inventive step when the document is combined with one or more other such documents, such combination being obvious to a person skilled in the art. "&" document member of the same patent family
Date of the actual completion of the international search 2 January 2001		Date of mailing of the international search report 05. 04 2001
Name and mailing address of the ISA European Patent Office, P.B. 5818 Patentlaan 2 NL - 2280 HV Rijswijk Tel. (+31-70) 340-2040, Tx. 31 651 epo nl, Fax: (+31-70) 340-3016		Authorized officer Christer Wendenius

INTERNATIONAL SEARCH REPORT

Information on patent family members

International Application No

PCT/NO 00/00331

Patent document cited in search report	A	Publication date	Patent family member(s)	Publication date
WO 9619632	A	27-06-1996	DE 9420457 U EP 0799360 A	16-03-1995 08-10-1997

GB 2181781	A	29-04-1987	NONE	

GB 2327239	A	20-01-1999	NONE	

US 2755748	A	24-07-1956	NONE	
