



US00D870846S

(12) **United States Design Patent**
Mezzalira

(10) **Patent No.:** **US D870,846 S**

(45) **Date of Patent:** **** Dec. 24, 2019**

(54) **SPRAY GUN**

(71) Applicant: **FITT S.p.A.**, Sandrigo, Vicenza (IT)

(72) Inventor: **Alessandro Mezzalira**, Vicenza (IT)

(73) Assignee: **Fitt S.p.A.**, Sandrigo (VI) (IT)

(**) Term: **15 Years**

(21) Appl. No.: **29/661,724**

(22) Filed: **Aug. 30, 2018**

(30) **Foreign Application Priority Data**

Apr. 6, 2018 (EM) 005213501-0002

(51) **LOC (12) Cl.** **23-01**

(52) **U.S. Cl.**

USPC **D23/213**; D23/223; D23/226

(58) **Field of Classification Search**

USPC D23/213, 214, 215, 223, 224, 226, 229,
D23/230

CPC A61H 9/0021; A61H 33/00; B05B 1/00;
B05B 1/14; B05B 1/185; B05B 1/08;
B05B 1/02; B05B 1/26; B05B 12/002;
B05B 1/18; B05B 9/01

See application file for complete search history.

(56) **References Cited**

U.S. PATENT DOCUMENTS

D461,228 S * 8/2002 Huang D23/223
D464,395 S * 10/2002 Huang D23/226
6,471,145 B1 * 10/2002 Huang B05B 1/3026
239/525

D678,980 S * 3/2013 Nies D23/223
D712,512 S * 9/2014 Mammen D23/226
D714,422 S * 9/2014 Mammen D23/226
D714,908 S * 10/2014 Mammen D23/226
D746,947 S * 1/2016 Naslund D23/223
D782,005 S * 3/2017 Naslund D23/223
D782,008 S * 3/2017 Naslund D23/226
D846,074 S * 4/2019 Pease D23/226

* cited by examiner

Primary Examiner — Manpreet S Matharu

Assistant Examiner — Keith J Wilson

(74) *Attorney, Agent, or Firm* — Kilyk & Bowersox,
P.L.L.C.

(57) **CLAIM**

The ornamental design for a spray gun, as shown and described.

DESCRIPTION

FIG. 1 is a left, top, rear perspective view of the spray gun design of the present invention;

FIG. 2 is a top view of the spray gun design shown in FIG. 1;

FIG. 3 is a rear view of the spray gun design shown in FIGS. 1 and 2;

FIG. 4 is a bottom view of the spray gun design shown in FIGS. 1-3;

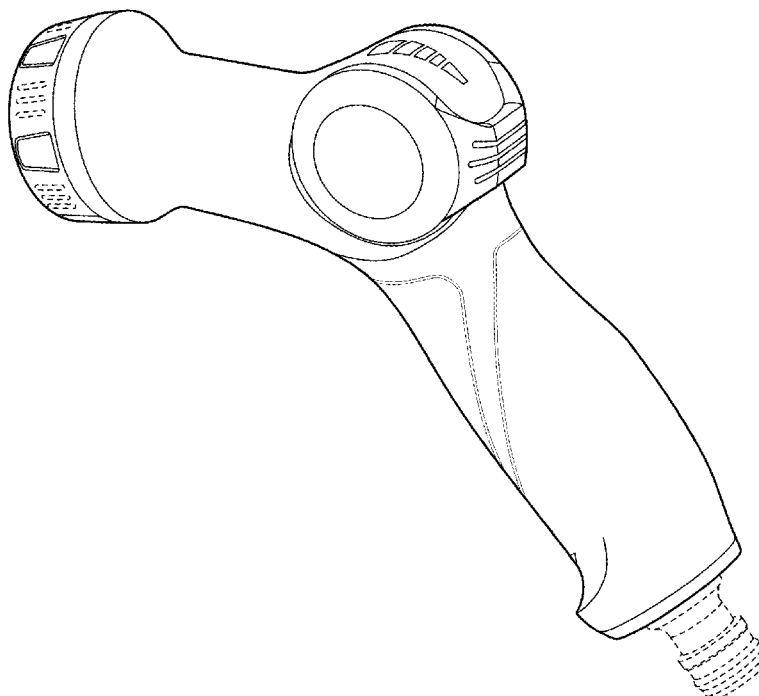
FIG. 5 is a right-side view of the spray gun design shown in FIGS. 1-4; and,

FIG. 6 is a front view of the spray gun design shown in FIGS. 1-5.

The drawings show a spray gun.

The broken lines shown represent portions of a spray gun and form no part of the claimed design.

1 Claim, 6 Drawing Sheets



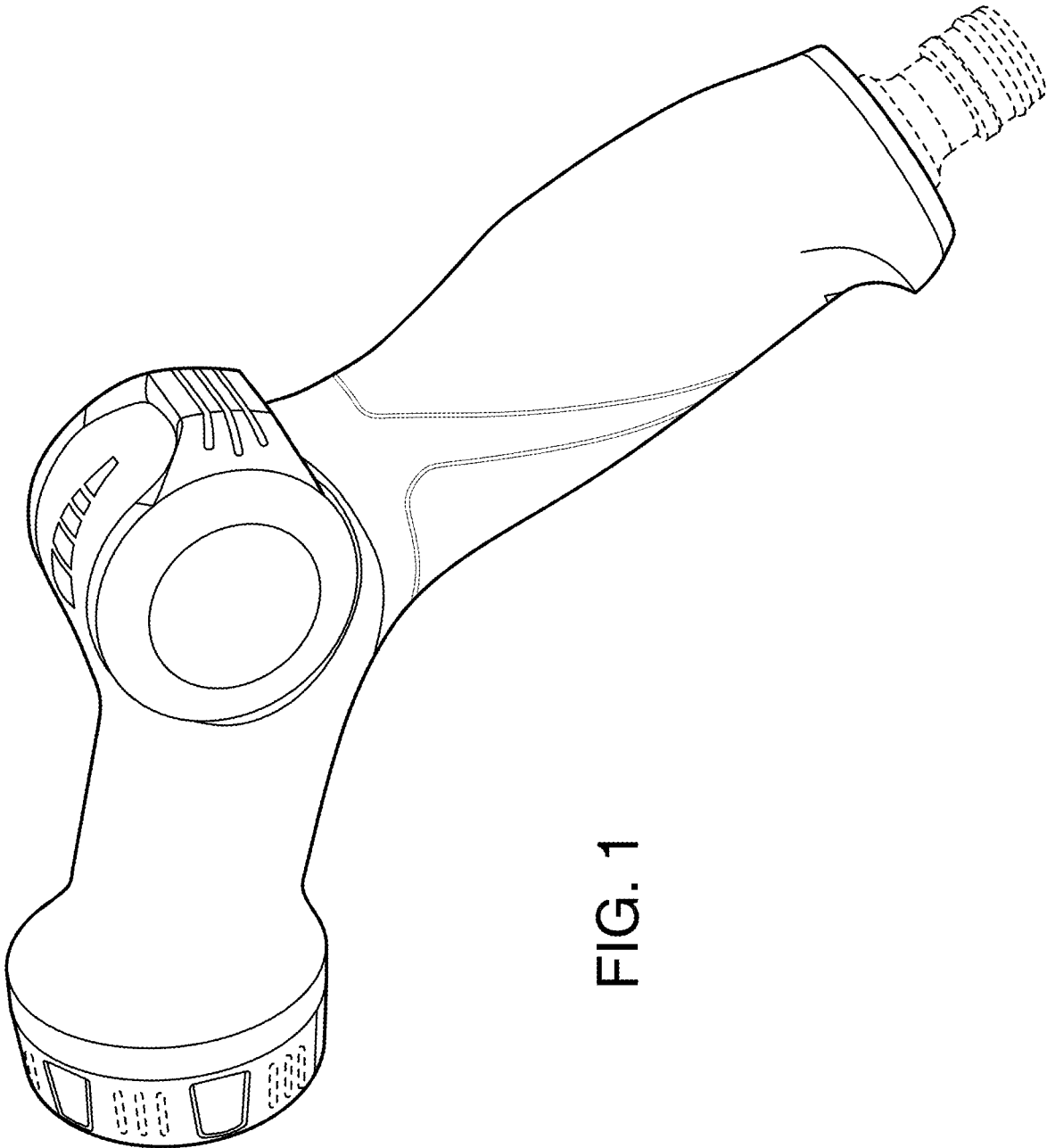


FIG. 1

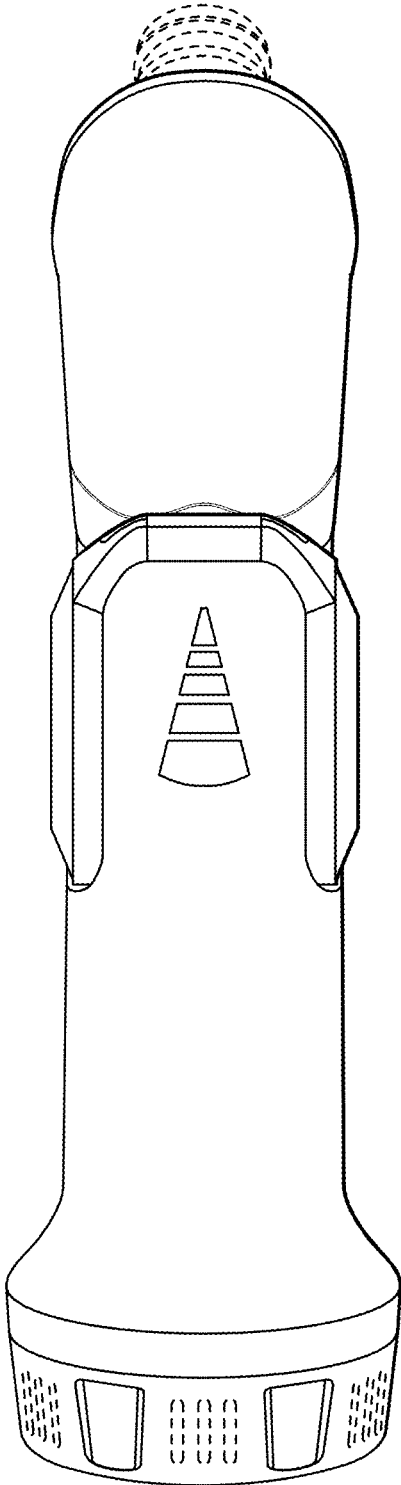


FIG. 2

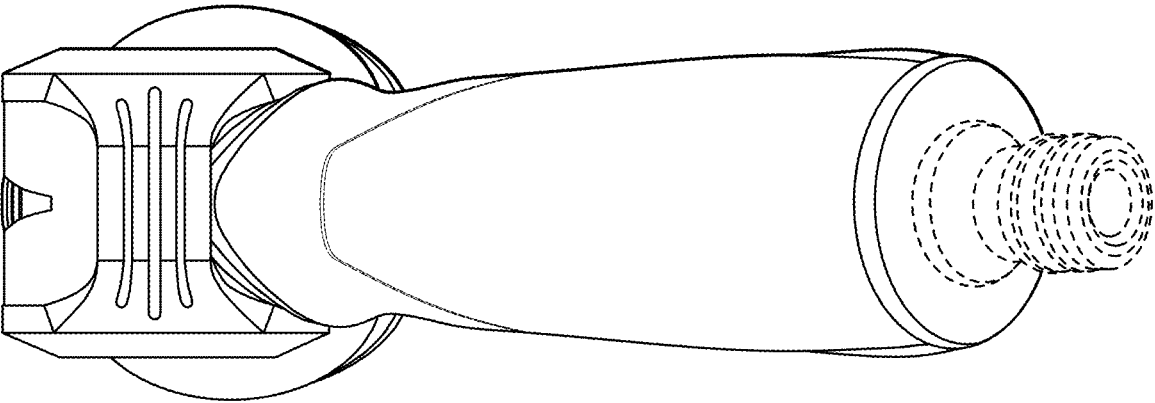


FIG. 3

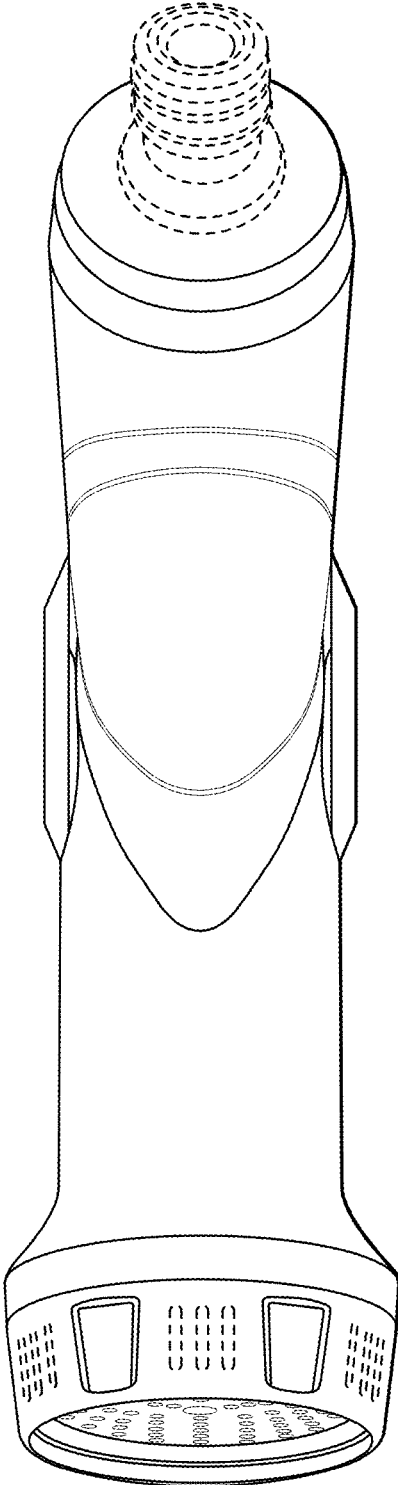


FIG. 4

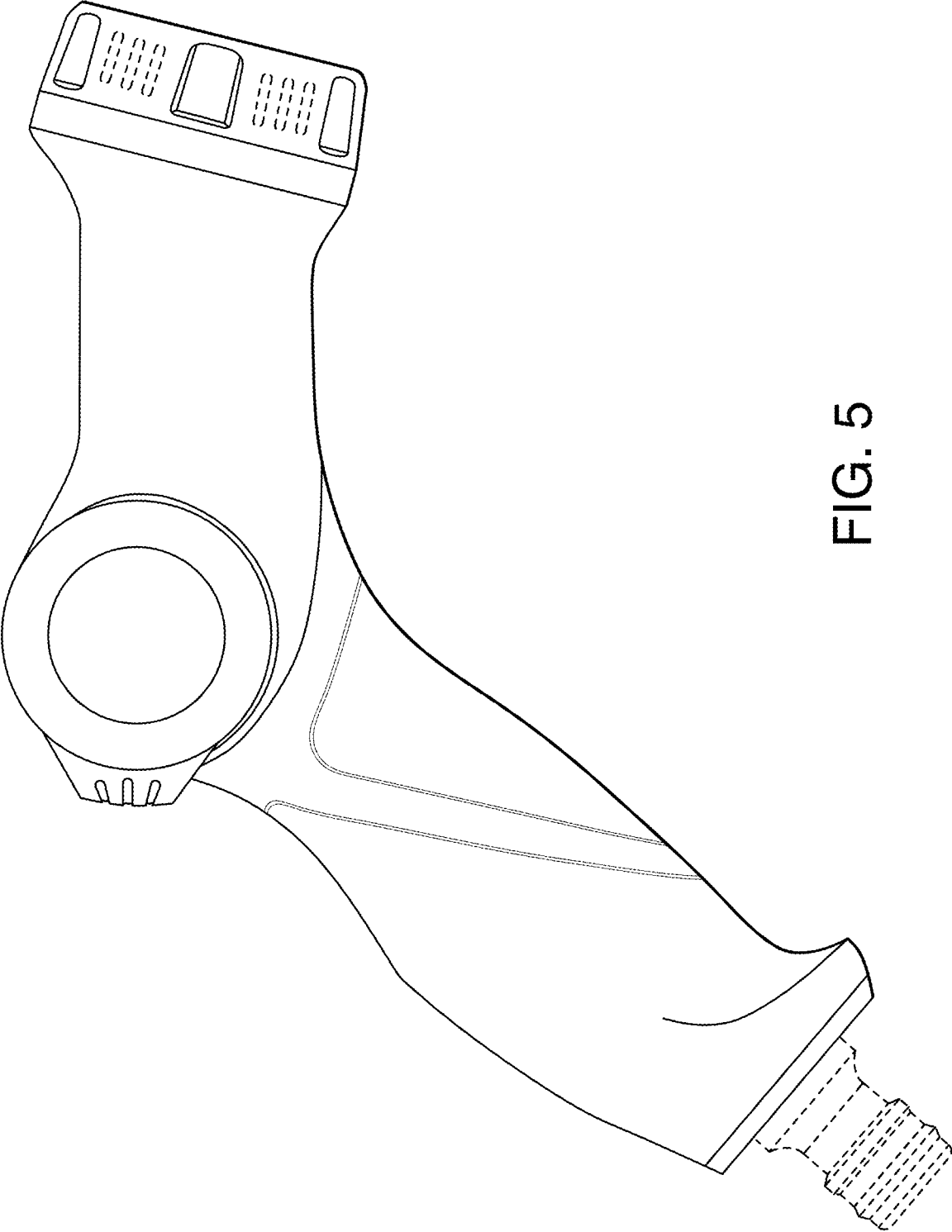


FIG. 5

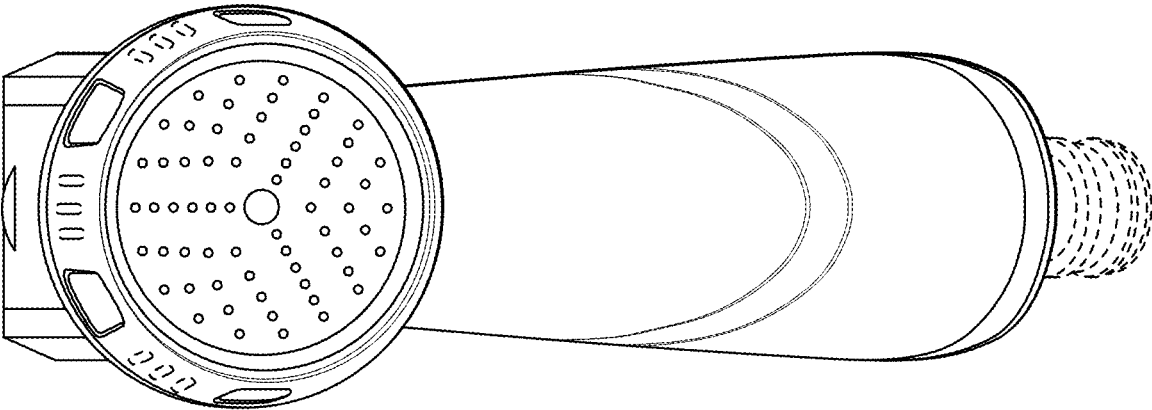


FIG. 6