



US00D945344S

(12) **United States Design Patent**  
**Abderrazak**

(10) **Patent No.:** **US D945,344 S**

(45) **Date of Patent:** **\*\* Mar. 8, 2022**

- (54) **WHEEL RIM**
- (71) Applicant: **Naim Abderrazak**, Arlington, TX (US)
- (72) Inventor: **Naim Abderrazak**, Arlington, TX (US)
- (\*\*) Term: **15 Years**
- (21) Appl. No.: **29/748,775**
- (22) Filed: **Sep. 1, 2020**
- (51) **LOC (13) Cl.** ..... **12-16**
- (52) **U.S. Cl.**  
USPC ..... **D12/209**
- (58) **Field of Classification Search**  
USPC ..... D12/204–213; D21/563  
CPC .... B60B 7/00; B60B 7/02; B60B 7/04; B60B  
7/01; B60B 7/06; B60B 3/02; B60B 3/04;  
B60B 3/06; B60B 3/10; B60B 1/00;  
B60B 1/08; B60B 1/10; B60B 1/12  
See application file for complete search history.

D819,538 S *	6/2018	Badstuebner	.....	D12/211
D828,264 S *	9/2018	Owens	.....	D12/209
D830,265 S *	10/2018	Chung	.....	D12/209
D842,191 S *	3/2019	Han	.....	D12/209
D847,063 S *	4/2019	Kikuchi	.....	D12/209
D847,068 S *	4/2019	Juergens	.....	D12/209
D848,344 S *	5/2019	Juergens	.....	D12/209
D860,092 S *	9/2019	Milani	.....	D12/209
D863,179 S *	10/2019	Gallert	.....	D12/209
D863,190 S *	10/2019	Han	.....	D12/209
D871,302 S *	12/2019	Han	.....	D12/209
D889,364 S *	7/2020	Han	.....	D12/209
D894,080 S *	8/2020	Valencia Pollex	.....	D12/209
D911,910 S *	3/2021	Hale, Jr.	.....	D12/209
D915,985 S *	4/2021	Hilpert	.....	D12/209

\* cited by examiner

*Primary Examiner* — Stacia A Cadmus

(74) *Attorney, Agent, or Firm* — Eric Karich; Karich & Associates

(57) **CLAIM**

The ornamental design for a wheel rim, as shown and described.

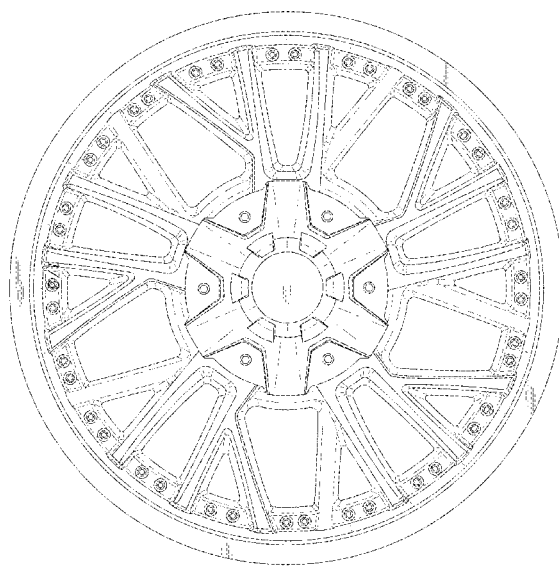
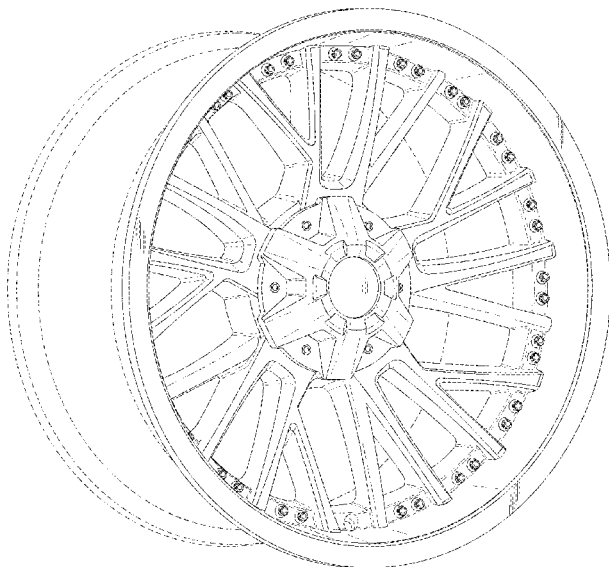
**DESCRIPTION**

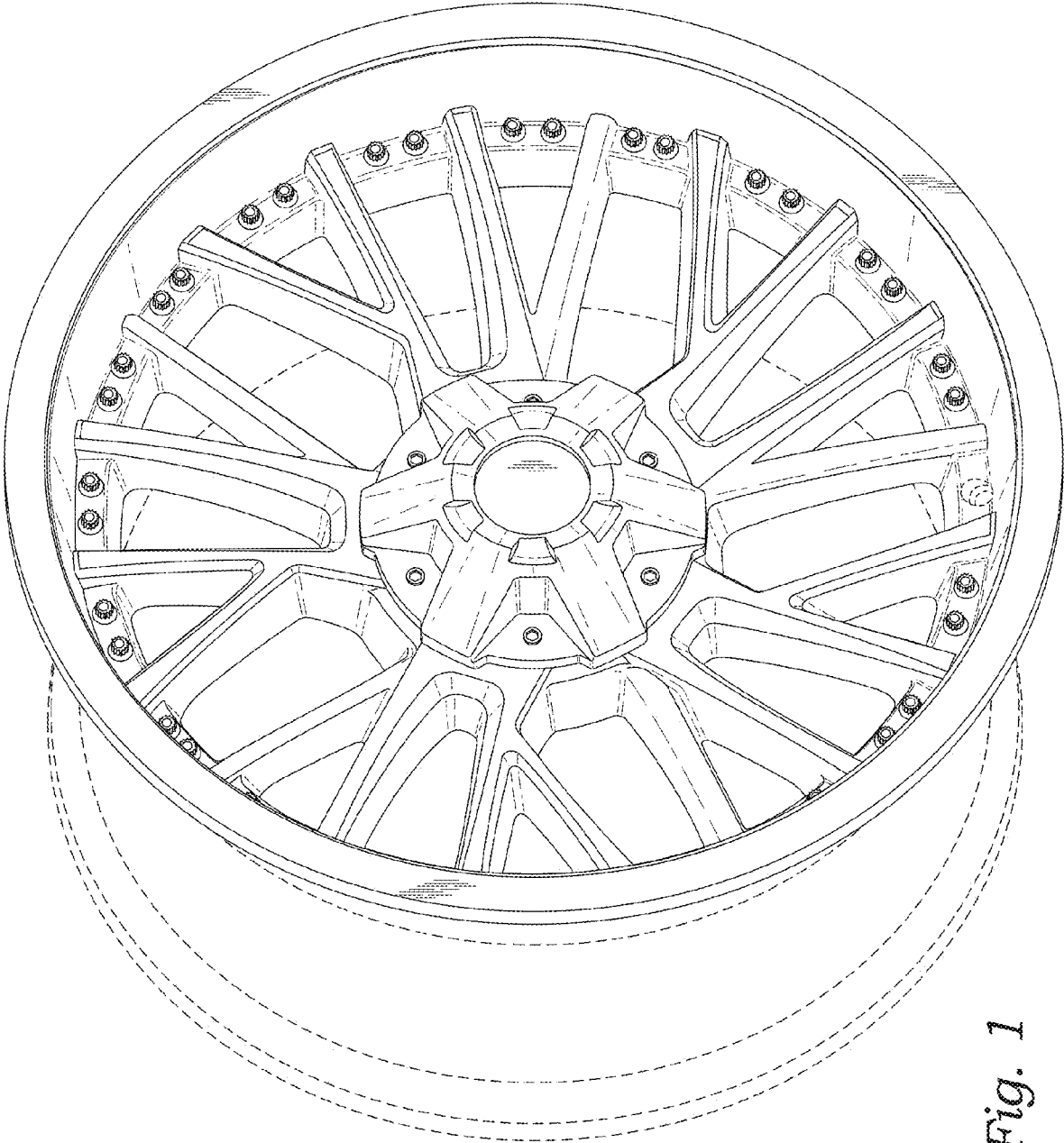
FIG. 1 is a perspective view of a wheel rim, showing my new design; and,  
FIG. 2 is a front elevational view thereof.  
In the drawings the broken lines depict portions of the wheel rim that form no part of the claimed design.

**1 Claim, 2 Drawing Sheets**

(56) **References Cited**  
U.S. PATENT DOCUMENTS

D685,309 S *	7/2013	Alfonso	.....	D12/209
D733,024 S *	6/2015	Valencia Pollex	.....	D12/209
D740,196 S *	10/2015	Valencia Pollex	.....	D12/209
D774,436 S *	12/2016	Valencia Pollex	.....	D12/209
D784,897 S *	4/2017	Zhao	.....	D12/211
D786,766 S *	5/2017	Rueckheim	.....	D12/209
D788,673 S *	6/2017	Krause	.....	D12/209
D798,212 S *	9/2017	Chung	.....	D12/209





*Fig. 1*

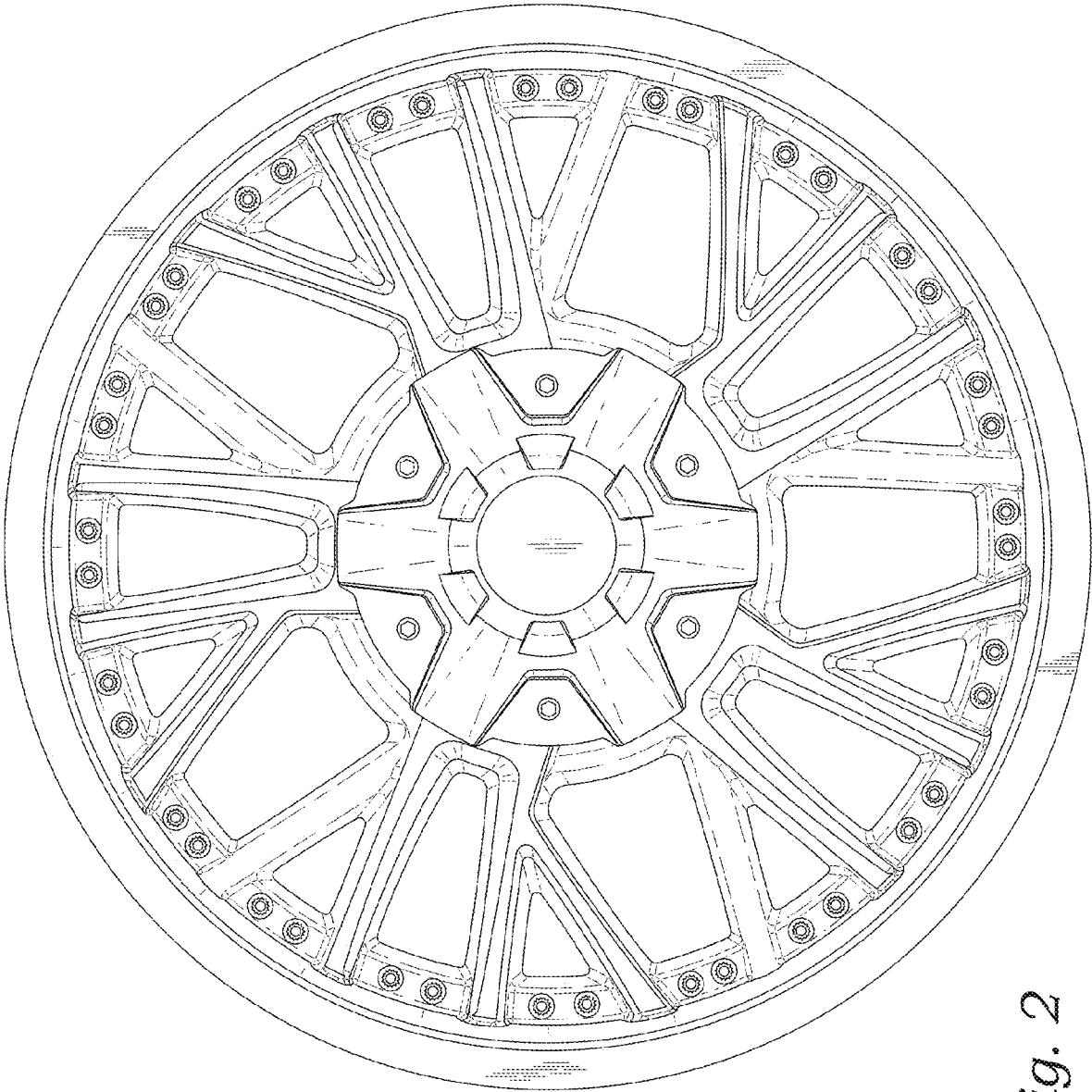


Fig. 2