



US00D621460S

(12) **United States Design Patent**
Serrano et al.

(10) **Patent No.:** **US D621,460 S**

(45) **Date of Patent:** **** Aug. 10, 2010**

(54) **GOLF CLUB HEAD**

(75) Inventors: **Anthony D. Serrano**, Anthem, AZ (US);
Xiaojian Chen, Phoenix, AZ (US)

(73) Assignee: **Karsten Manufacturing Corporation**,
Phoenix, AZ (US)

(**) Term: **14 Years**

(21) Appl. No.: **29/358,702**

(22) Filed: **Mar. 31, 2010**

(51) **LOC (9) Cl.** **21-02**

(52) **U.S. Cl.** **D21/742**

(58) **Field of Classification Search** D21/736-746,
D21/759; 473/324-331, 341-342, 251-256
See application file for complete search history.

(56) **References Cited**

U.S. PATENT DOCUMENTS

1,897,264 A	2/1933	Lamb
1,901,562 A	3/1933	Main
2,014,829 A	9/1935	Young
2,486,952 A	11/1949	Kearsley et al.
3,042,405 A	7/1962	Solheim
D235,668 S	7/1975	Swash
3,954,265 A	5/1976	Taylor
4,222,566 A	9/1980	Berry
4,390,184 A	6/1983	Rudell
4,695,054 A	9/1987	Tunstall
4,714,252 A	12/1987	Roraback
4,722,528 A	2/1988	Tsao
4,741,535 A	5/1988	Leonhardt
4,834,387 A	5/1989	Waites et al.
D324,555 S	3/1992	Evans
D333,331 S	2/1993	Evans
5,211,401 A	5/1993	Hainey
D342,112 S	12/1993	Diesterheft

5,320,346 A	6/1994	Phillips
5,320,353 A	6/1994	Moore
5,324,031 A	6/1994	Green
D356,846 S	3/1995	Murrill
5,482,281 A	1/1996	Anderson
5,580,058 A	12/1996	Coughlin

(Continued)

OTHER PUBLICATIONS

Serrano, et al., "Golf Club Head," U.S. Appl. No. 29/358,700, filed Mar. 31, 2010.

(Continued)

Primary Examiner—Mitchell I Siegel

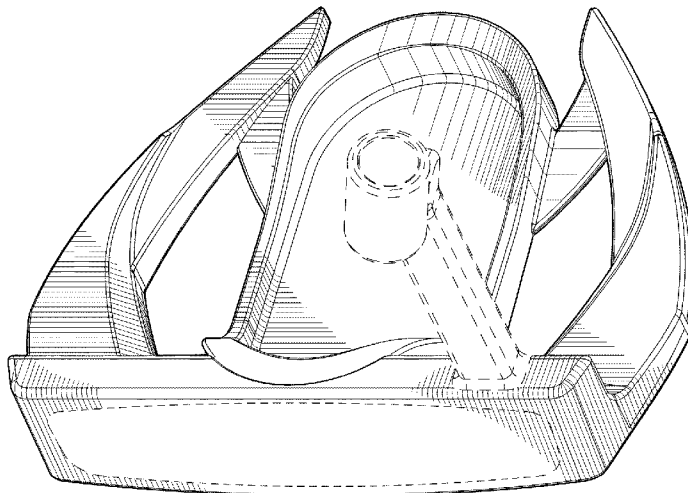
(57) **CLAIM**

The ornamental design for a golf club head, as shown and described.

DESCRIPTION

FIG. 1 is a top perspective view of a golf club head;
 FIG. 2 is a bottom perspective view of the golf club head of FIG. 1;
 FIG. 3 is a top view of the golf club head of FIG. 1;
 FIG. 4 is a bottom view of the golf club head of FIG. 1;
 FIG. 5 is a front elevational view of the golf club head of FIG. 1;
 FIG. 6 is a rear elevational view of the golf club head of FIG. 1;
 FIG. 7 is a left side view of the golf club head of FIG. 1; and,
 FIG. 8 is a right side view of the golf club head of FIG. 1.
 The broken lines shown in one or more of the figures are for illustrative purposes only and form no part of the claimed design.

1 Claim, 4 Drawing Sheets



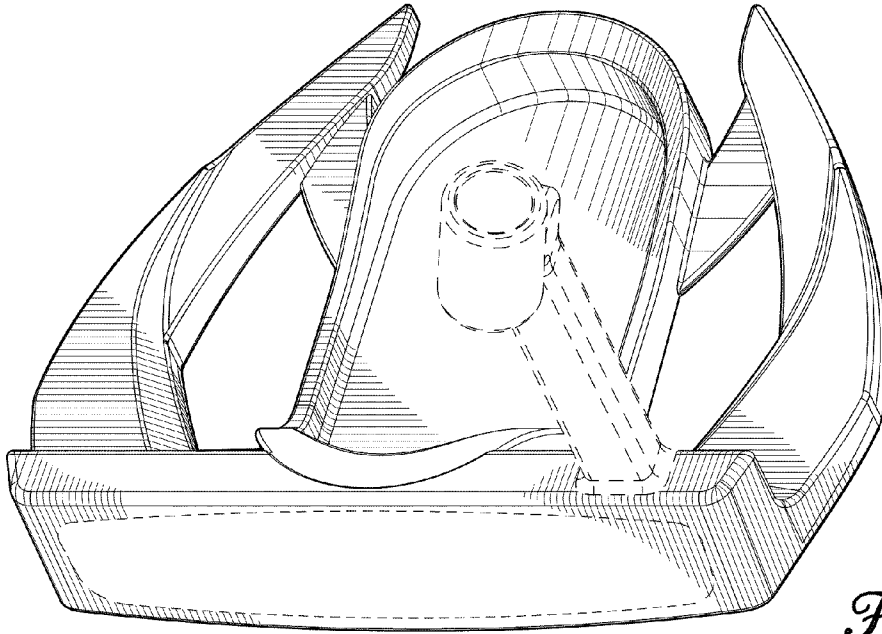


Fig. 1

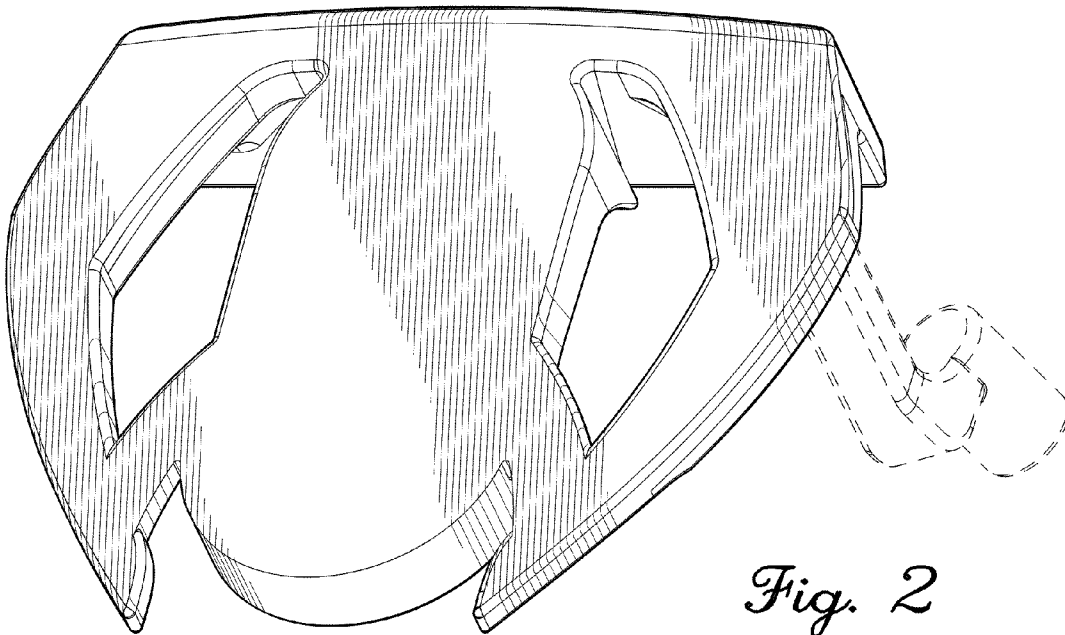


Fig. 2

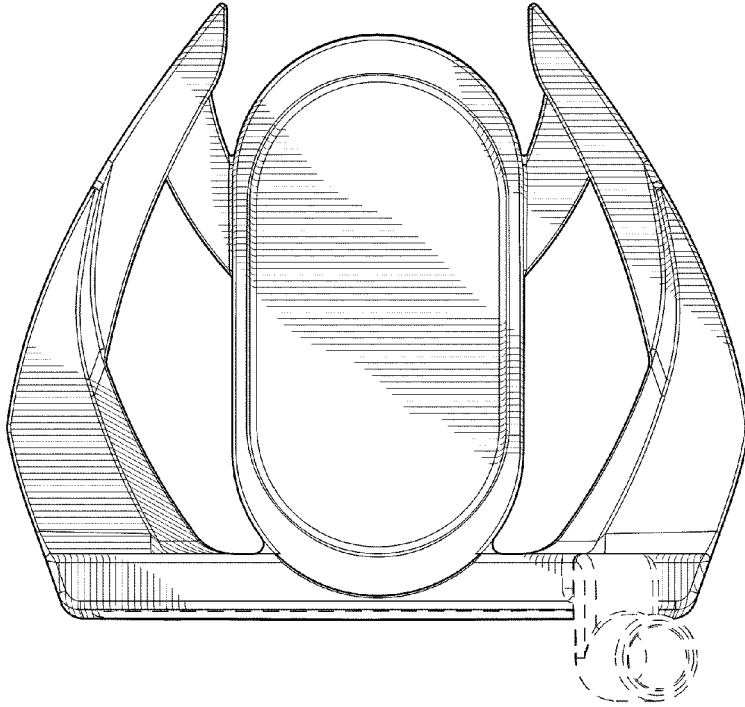


Fig. 3

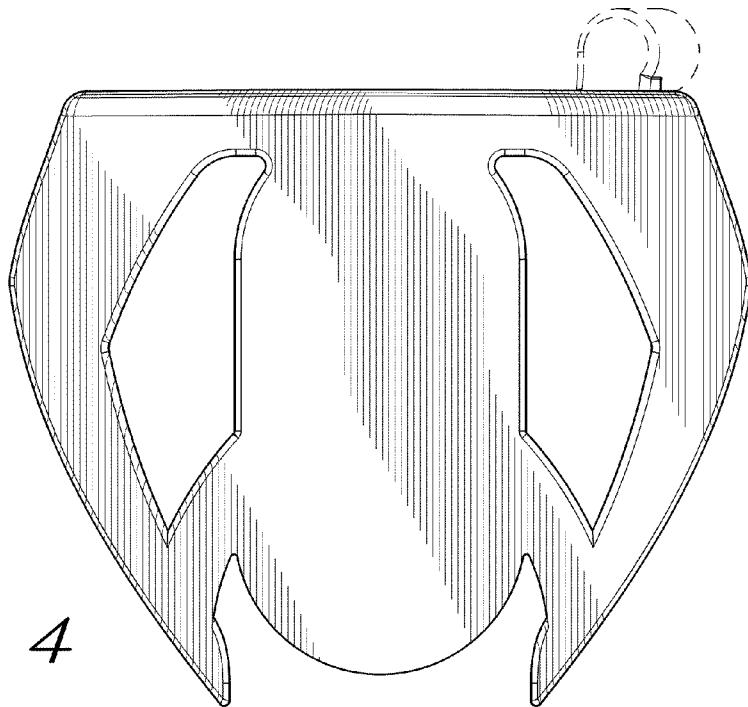


Fig. 4

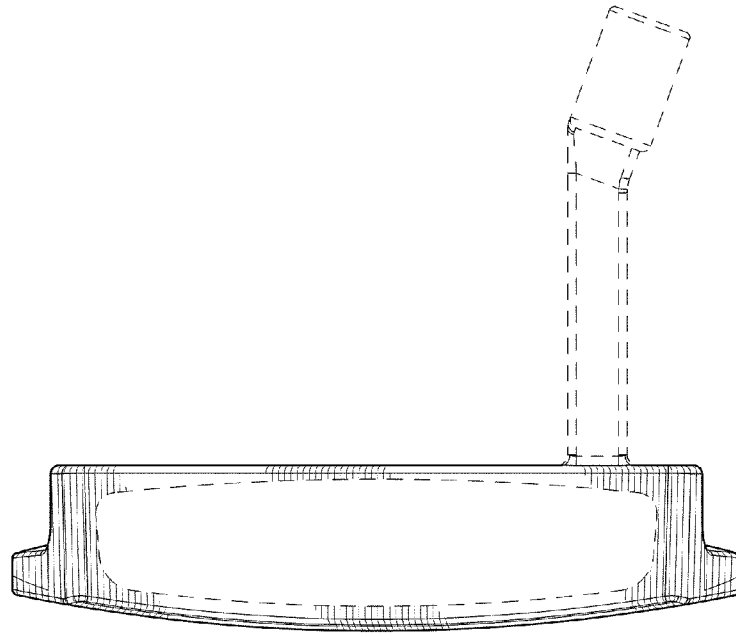


Fig. 5

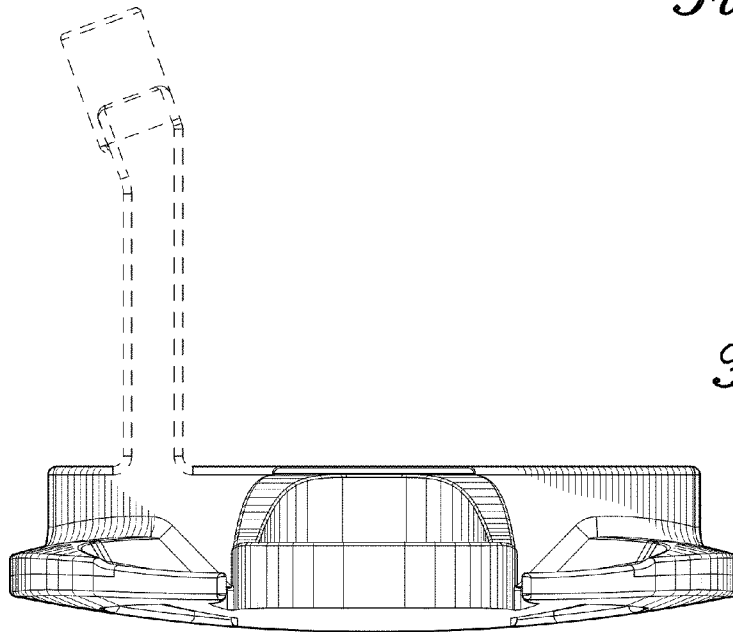


Fig. 6

Fig. 7

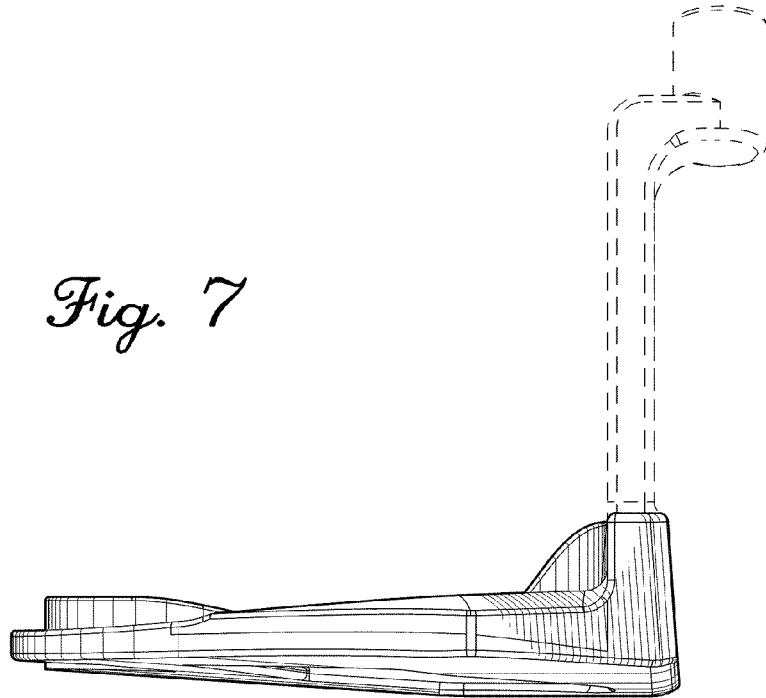


Fig. 8

