



US00D755685S

(12) **United States Design Patent**
Angelfoss et al.

(10) **Patent No.:** **US D755,685 S**
(45) **Date of Patent:** **** May 10, 2016**

- (54) **STROLLER**
- (71) Applicant: **Stokke AS, Ålesund (NO)**
- (72) Inventors: **Hilde Angelfoss, Ålesund (NO);**
Hans-Cato Slotterøy, Ålesund (NO);
Alf Vegard Fjelland, Ålesund (NO);
Eivind Halseth, Ålesund (NO); Oscar
Johansen, Ålesund (NO)
- (73) Assignee: **Stokke AS (NO)**
- (**) Term: **14 Years**
- (21) Appl. No.: **29/511,704**
- (22) Filed: **Dec. 12, 2014**

7,364,171 B2 *	4/2008	Hu	B60B 1/006
				280/47.38
D578,044 S *	10/2008	Chen	D12/129
D580,828 S	11/2008	Chen		
D585,336 S	1/2009	van Buul et al.		
D596,996 S *	7/2009	Yang	D12/129
D621,306 S *	8/2010	Liao	D12/129
D631,401 S	1/2011	Bagwell et al.		
D631,402 S	1/2011	Bagwell et al.		
D643,343 S *	8/2011	Song	D12/129
D643,786 S	8/2011	Barenbrug		
8,033,555 B2	10/2011	Mostert et al.		
D651,139 S	12/2011	Angelfoss et al.		
D654,409 S	2/2012	Angelfoss et al.		
D661,624 S *	6/2012	Stopp	D12/129
D672,692 S *	12/2012	Jane Santamaria	D12/129
D677,605 S *	3/2013	Ide	D12/129
D693,743 S	11/2013	Slotteroy et al.		
D699,159 S	2/2014	Slotteroy et al.		

* cited by examiner

- (30) **Foreign Application Priority Data**
- Jun. 30, 2014 (NO) 20140635
- (51) **LOC (10) Cl.** **12-12**
- (52) **U.S. Cl.**
- USPC **D12/129**
- (58) **Field of Classification Search**
- USPC D12/128–129, 130
- CPC B62B 7/00–7/04; B62B 9/00–9/28
- See application file for complete search history.

Primary Examiner — Susan Bennett Hattan
Assistant Examiner — Charles Hanson
 (74) *Attorney, Agent, or Firm* — Kolisch Hartwell, P.C.

(57) **CLAIM**
 We claim the ornamental design for a stroller, as shown and described.

- (56) **References Cited**
- U.S. PATENT DOCUMENTS
- D375,707 S * 11/1996 Yang D12/129
- D493,020 S 7/2004 Resfum
- D505,366 S 5/2005 Resfum et al.
- D519,258 S 4/2006 Resfum
- D519,422 S * 4/2006 Huang D12/129
- D526,601 S 8/2006 Oxseth
- 7,267,359 B1 * 9/2007 Yang B62B 7/08
- 280/47.34

DESCRIPTION

FIG. 1 is a rear and left perspective view of a stroller according to the new design;
 FIG. 2 is a rear elevational view thereof;
 FIG. 3 is a front elevational view thereof;
 FIG. 4 is a left side elevational view thereof;
 FIG. 5 is a right side elevational view thereof;
 FIG. 6 is a top plan view thereof; and,
 FIG. 7 is a bottom plan view thereof.
 The broken line showing in FIG. 2 is included for the purpose of illustrating environment and forms no part of the claimed design.

1 Claim, 7 Drawing Sheets

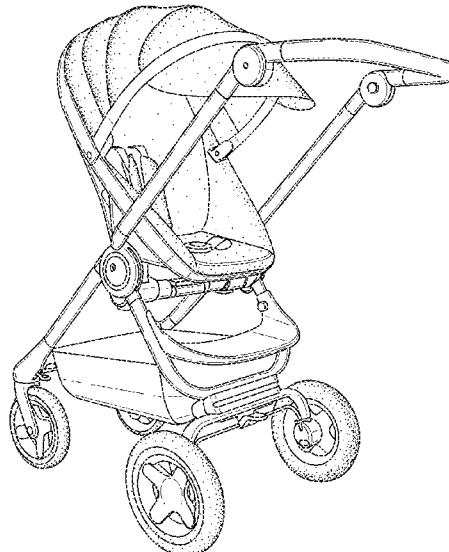




Fig. 1

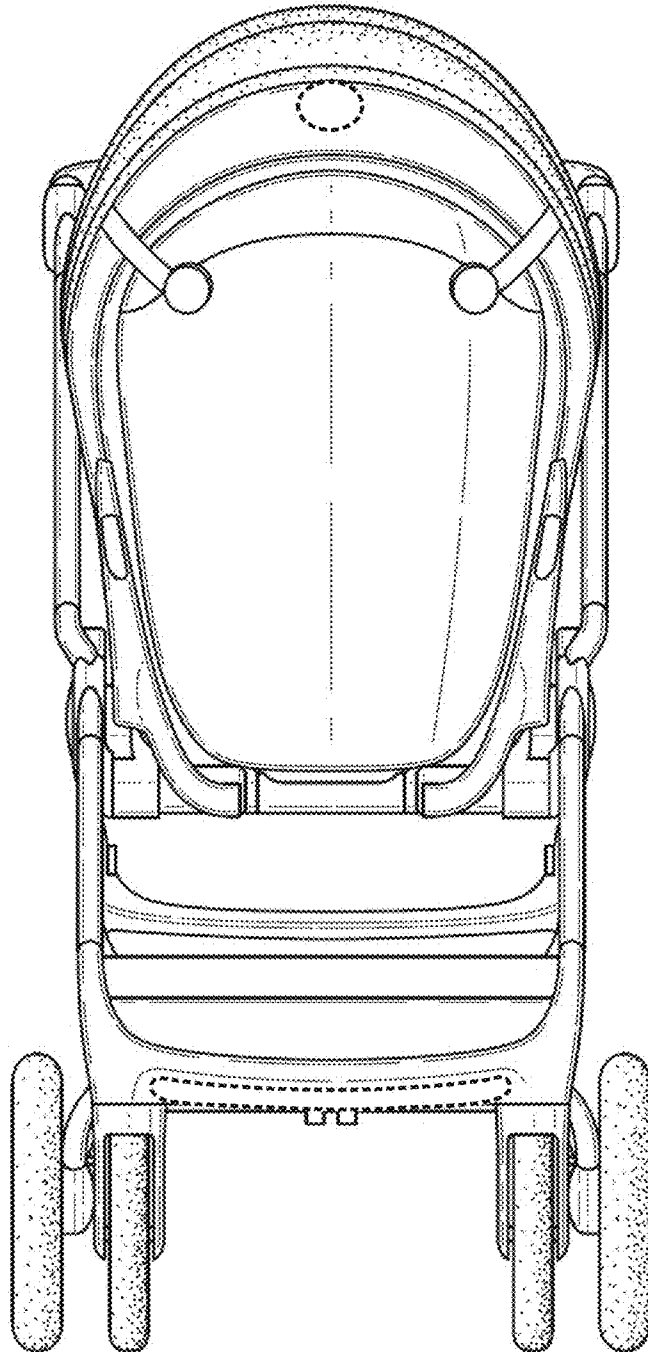


Fig. 2

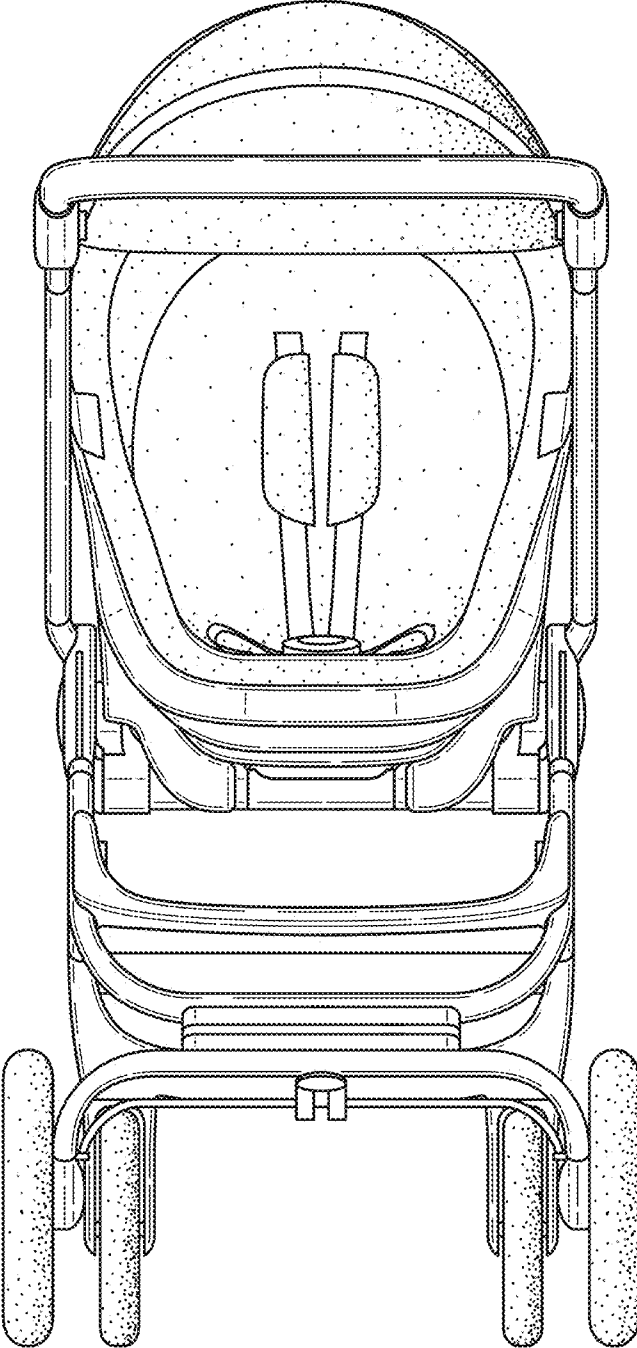


Fig. 3

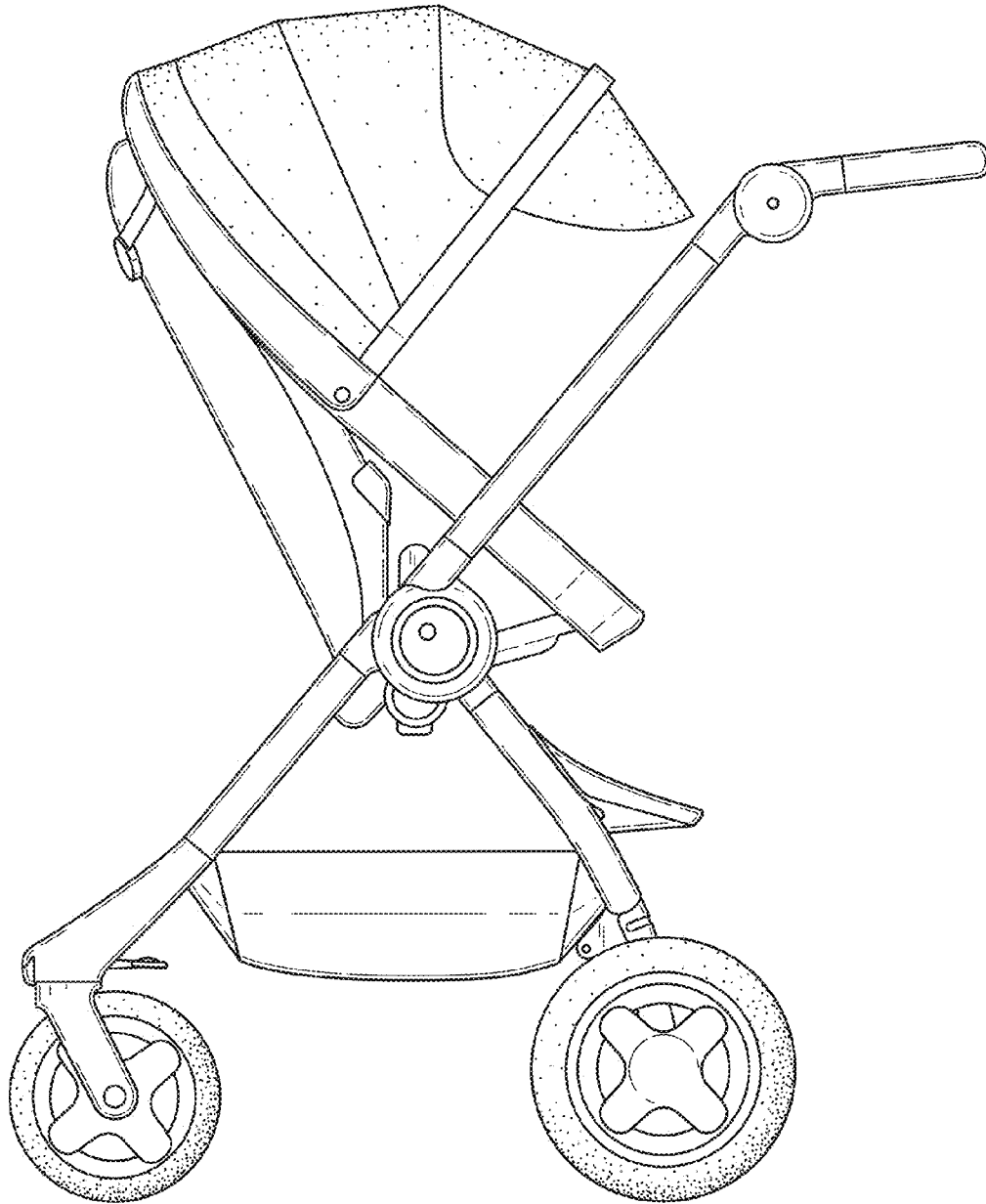


Fig. 4

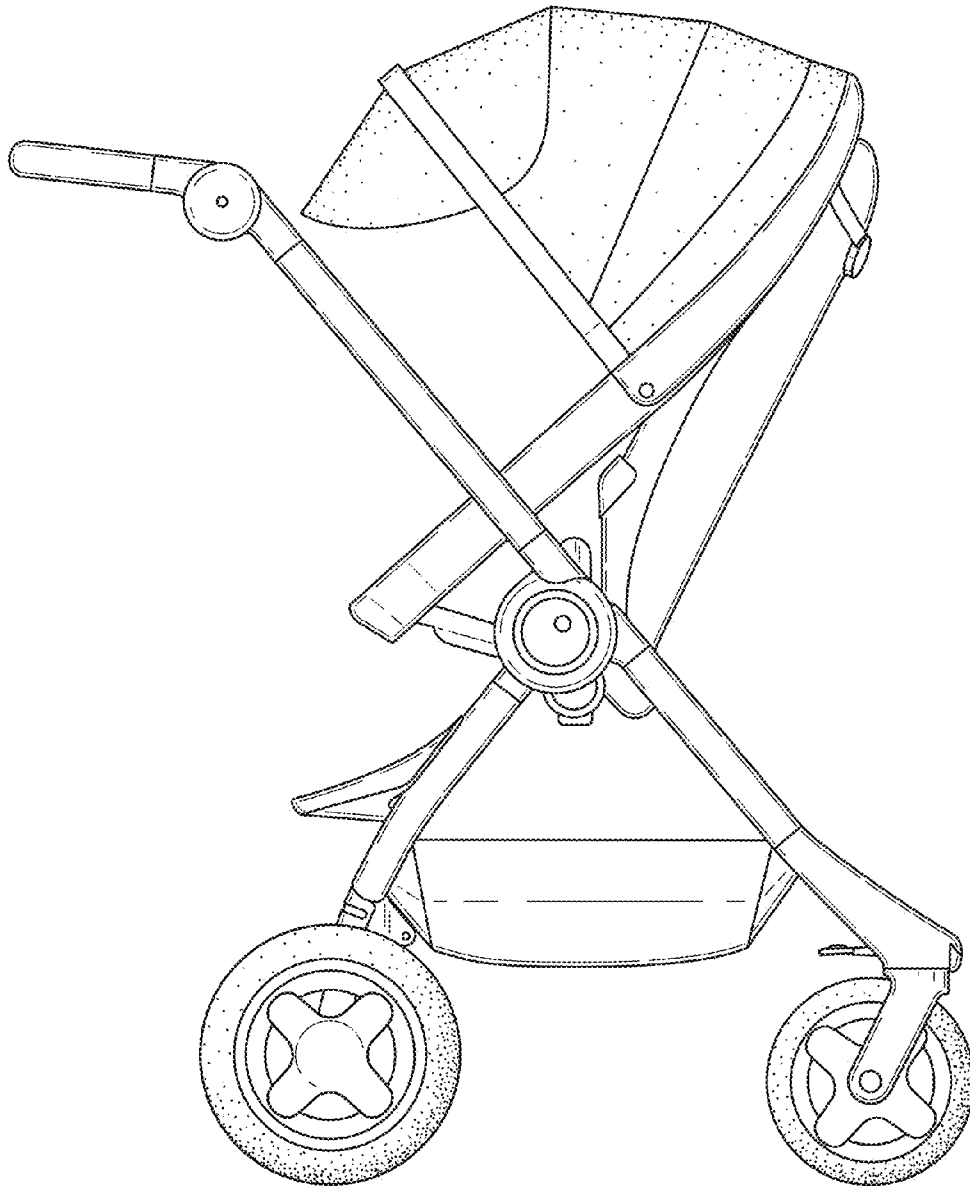


Fig. 5

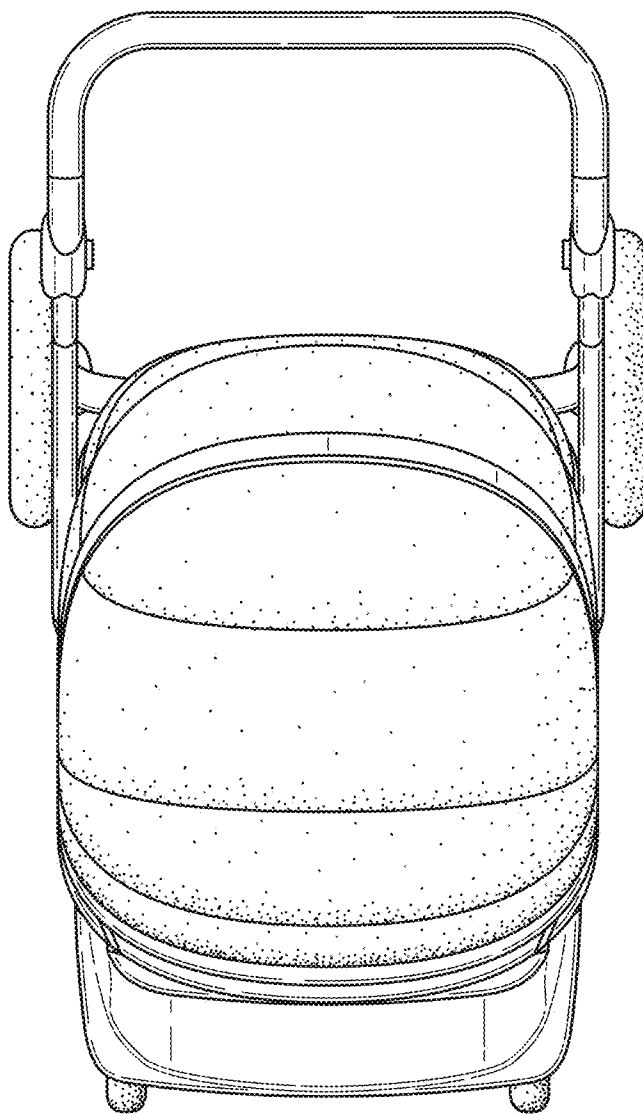


Fig. 6

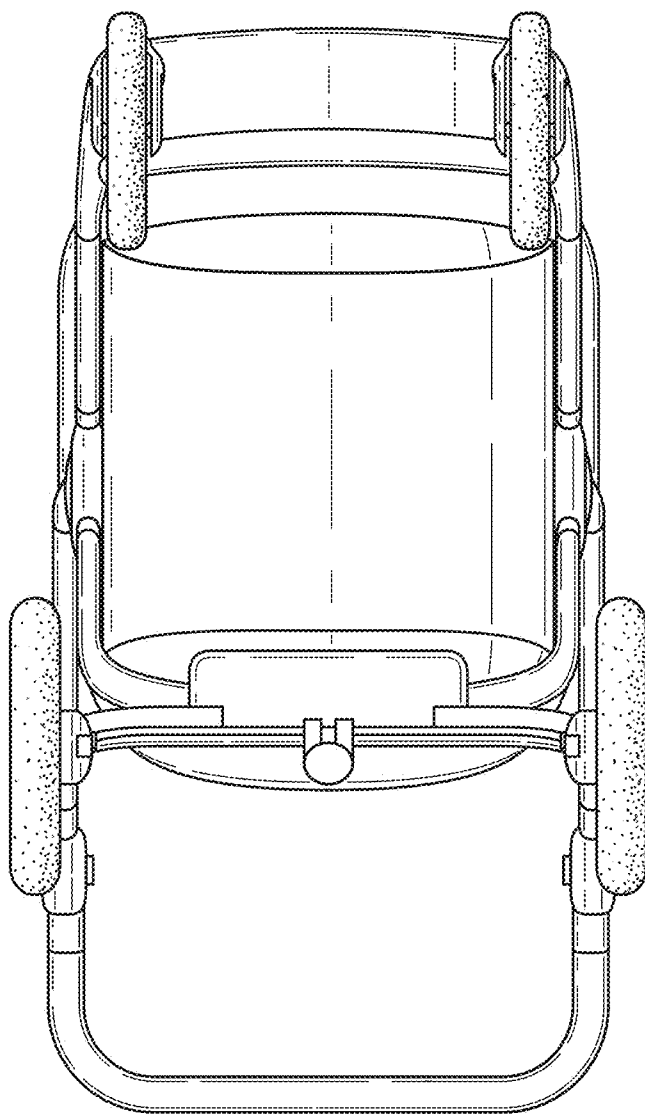


Fig. 7