



US00D411982S

**United States Patent** [19]  
**Huang**

[11] **Patent Number: Des. 411,982**  
[45] **Date of Patent: \*\* Jul. 13, 1999**

- [54] **ELECTRICAL CONNECTOR**
- [75] Inventor: **Wayne Huang**, Alhambra, Calif.
- [73] Assignee: **Hon Hai Precision Ind. Co., Ltd.**,  
Taipei Hsien, Taiwan
- [\*\*] Term: **14 Years**
- [21] Appl. No.: **29/088,548**
- [22] Filed: **May 27, 1998**
- [51] **LOC (6) Cl.** ..... **13-03**
- [52] **U.S. Cl.** ..... **D13/147**
- [58] **Field of Search** ..... D13/146, 147;  
439/78, 79, 607, 609, 636, 637, 660, 677

5,213,515	5/1993	Ishikawa et al. ....	439/79
5,219,294	6/1993	Marsh et al. ....	439/79
5,533,901	7/1996	Hunt et al. ....	439/79
5,547,384	8/1996	Benjamin ....	439/79

*Primary Examiner*—Joel Sincavage

[57] **CLAIM**

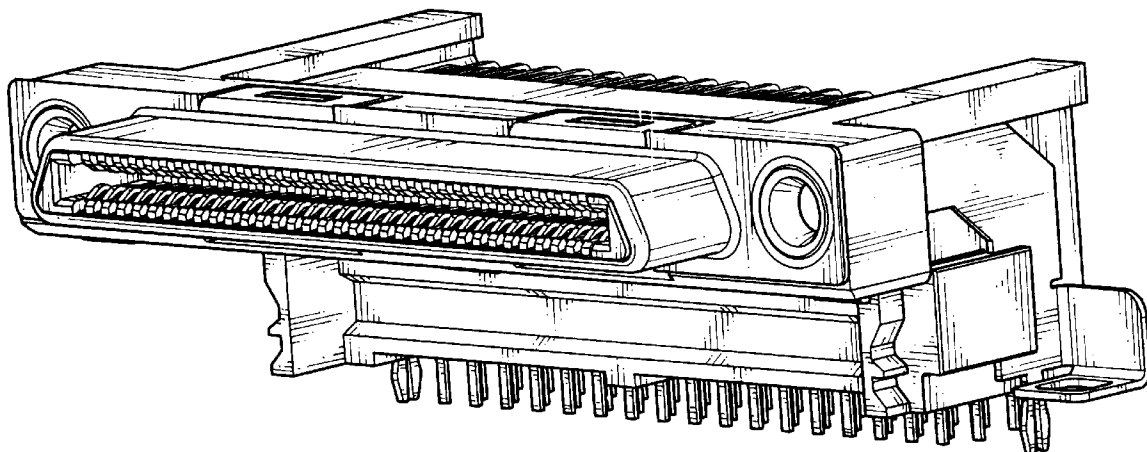
The ornamental design for an electrical connector, as shown.

**DESCRIPTION**

FIG. 1 is a perspective view of an electrical connector showing my new design;  
 FIG. 2 is a front elevational view thereof;  
 FIG. 3 is a rear elevational view thereof;  
 FIG. 4 is a left side elevational view thereof;  
 FIG. 5 is a right side elevational view thereof;  
 FIG. 6 is a top plan view thereof; and,  
 FIG. 7 is a bottom plan view thereof.

- [56] **References Cited**
- U.S. PATENT DOCUMENTS**
- D. 313,007 12/1990 Nakamura ..... D13/147
- D. 367,263 2/1996 Nakamura ..... D13/147

**1 Claim, 7 Drawing Sheets**



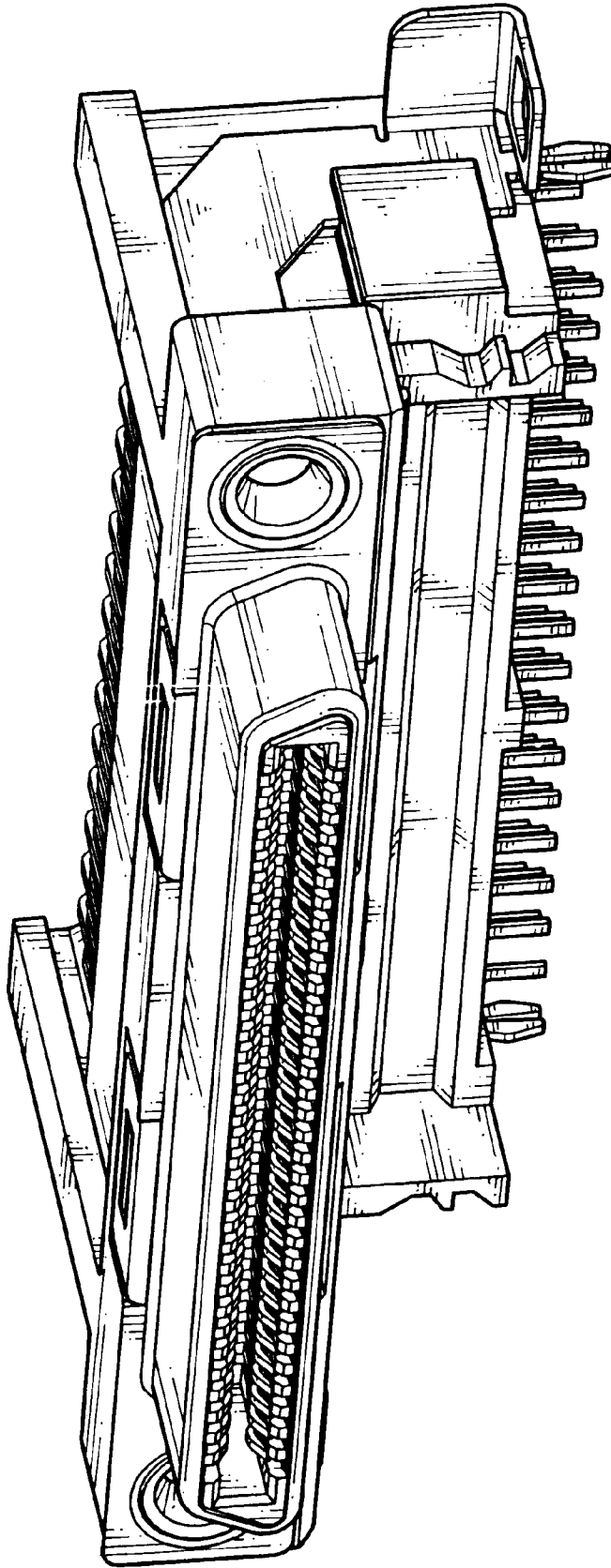


FIG. 1

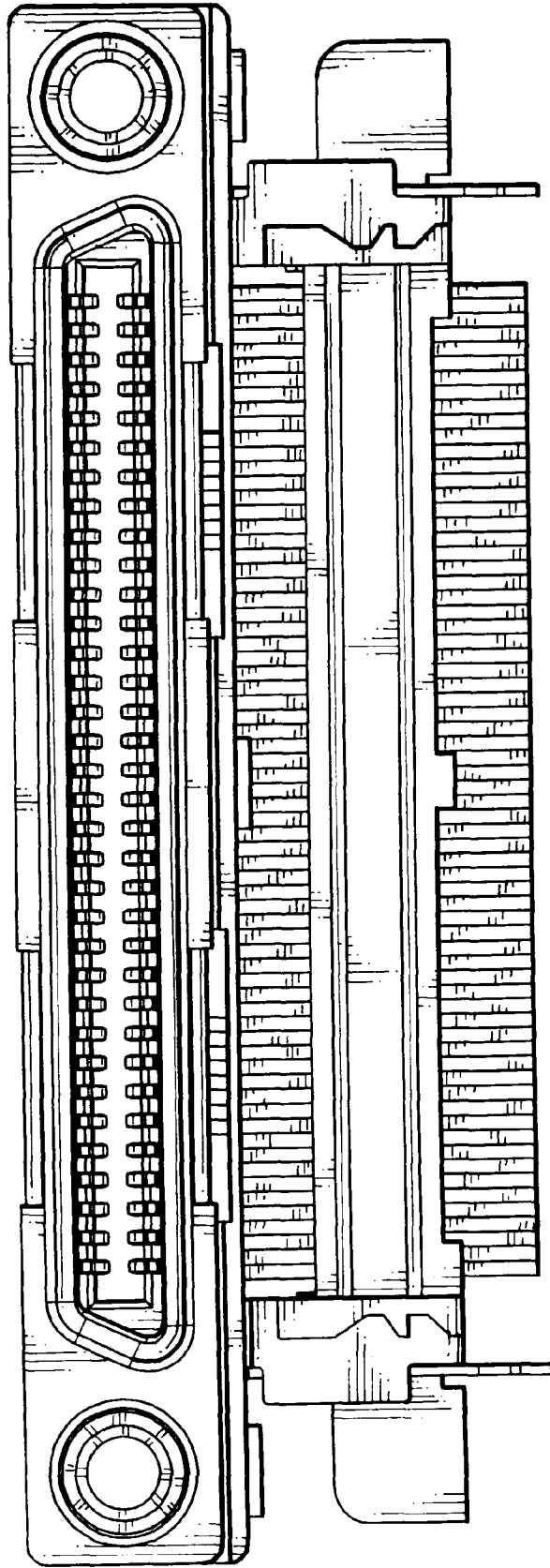


FIG. 2

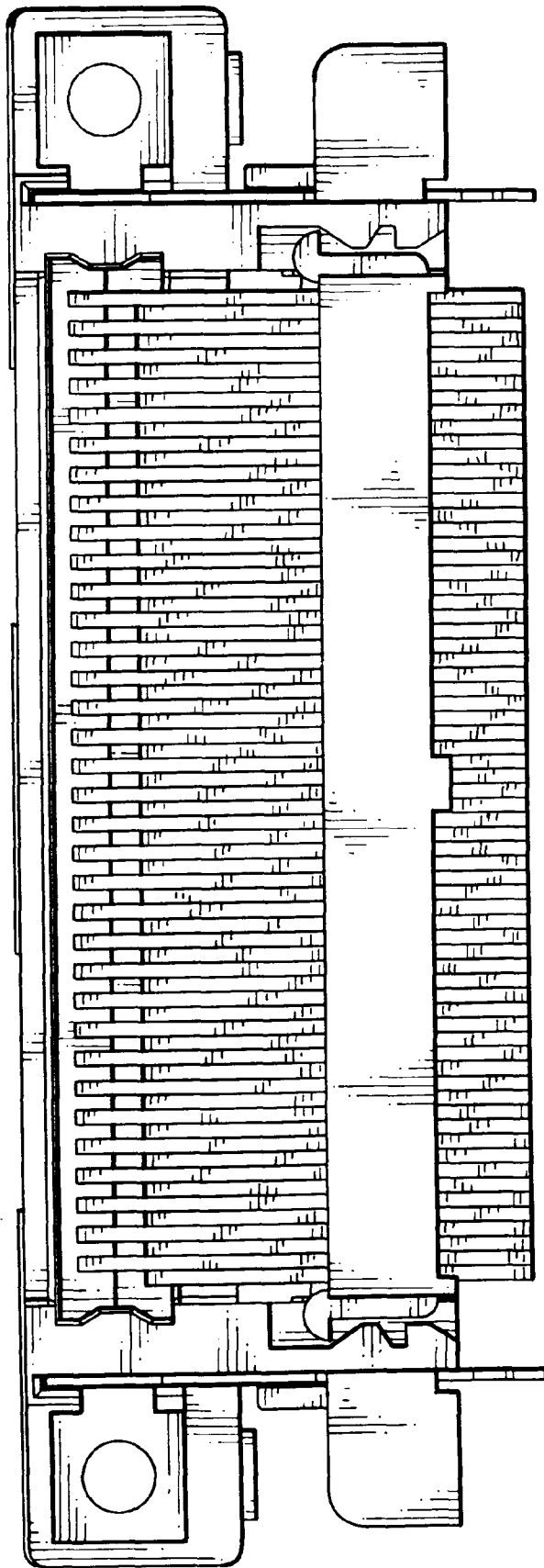


FIG. 3

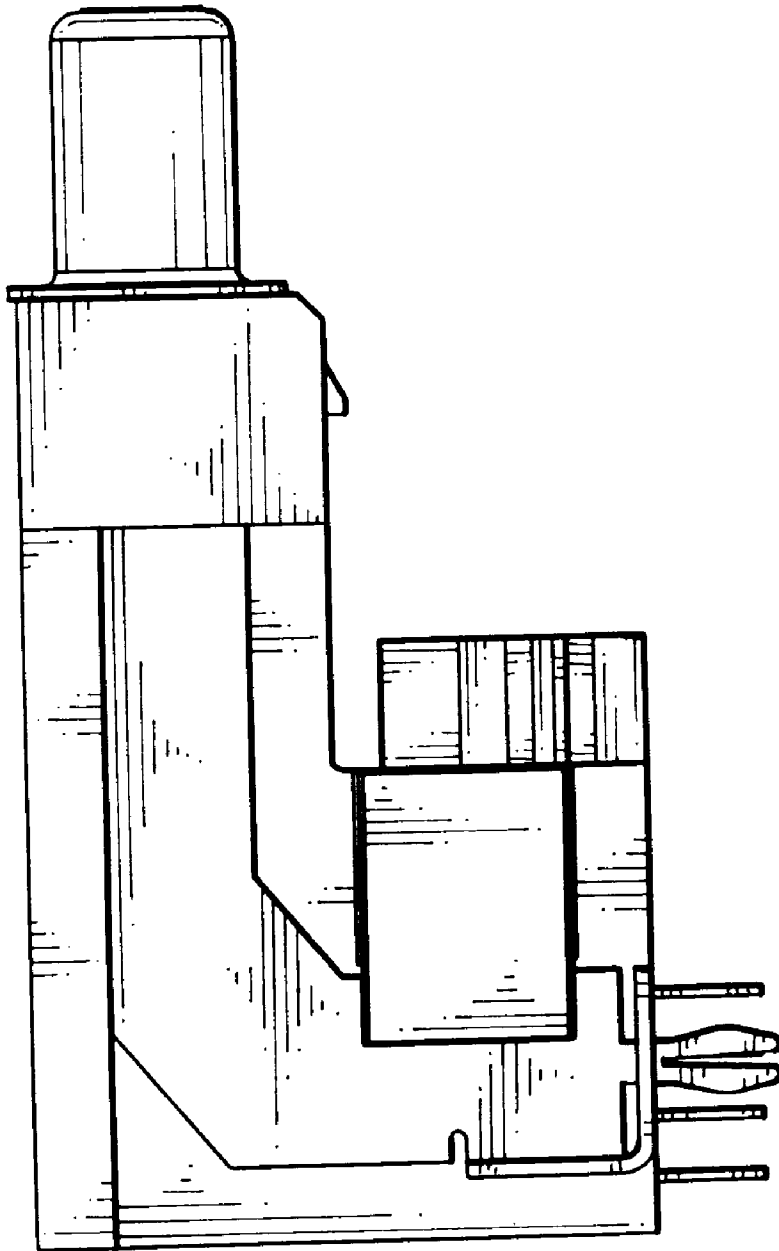


FIG. 4

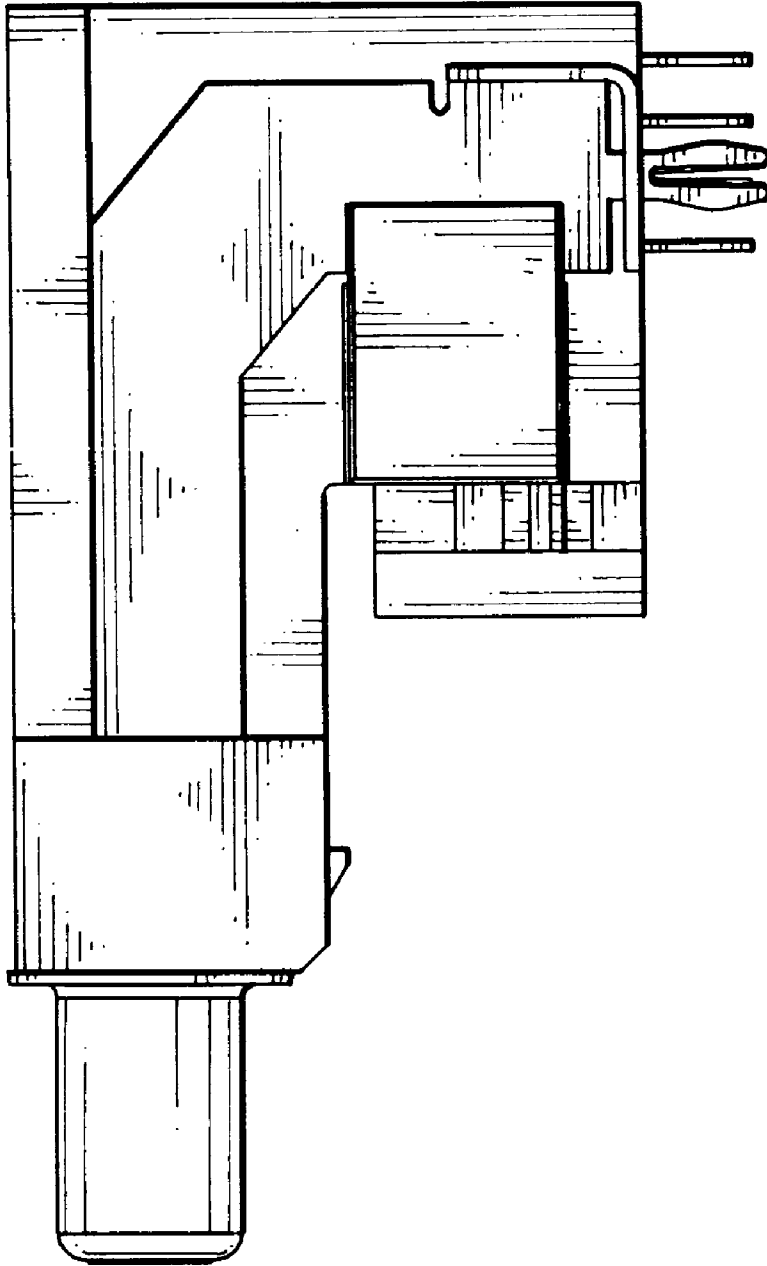


FIG. 5

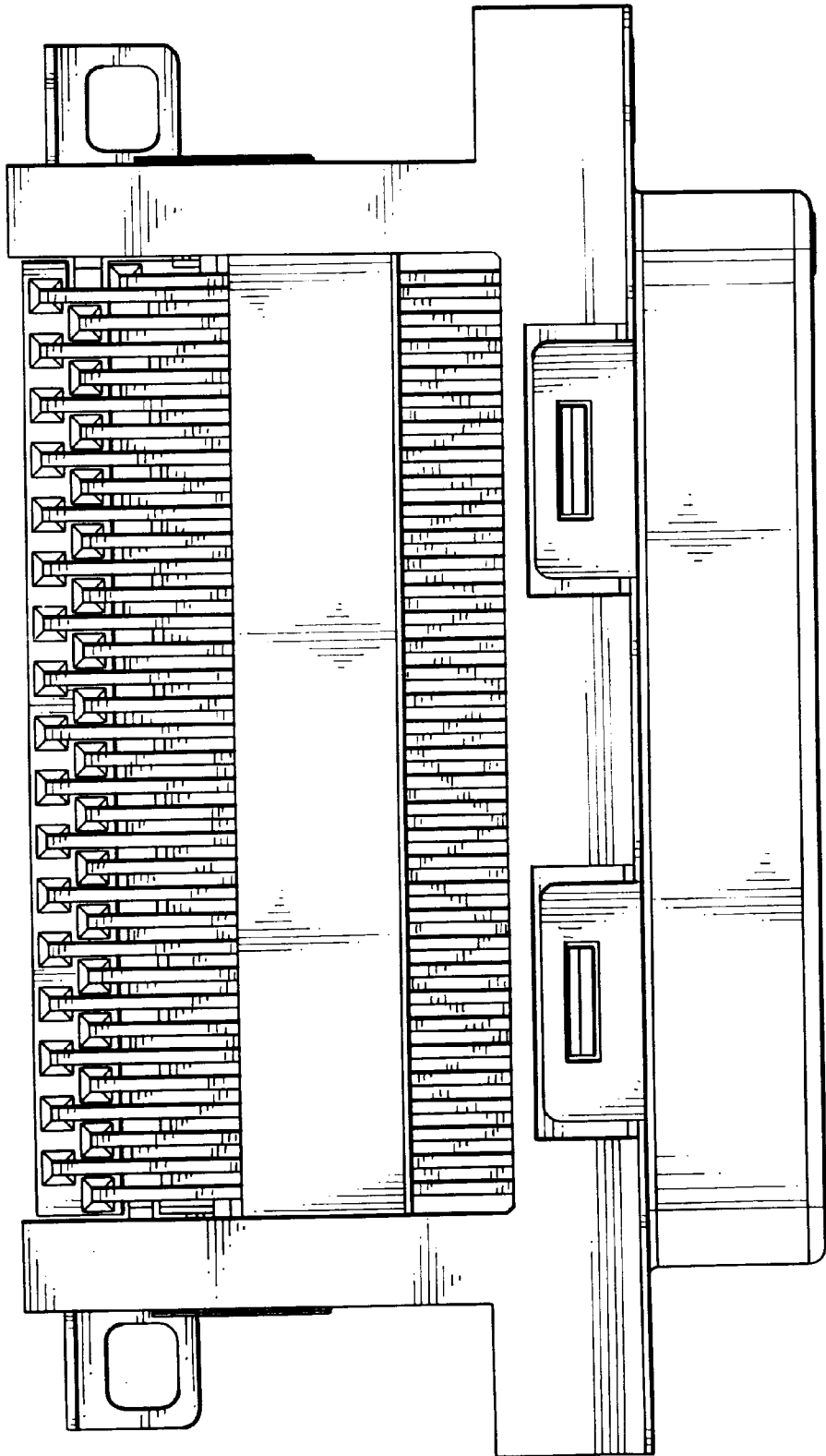


FIG. 6

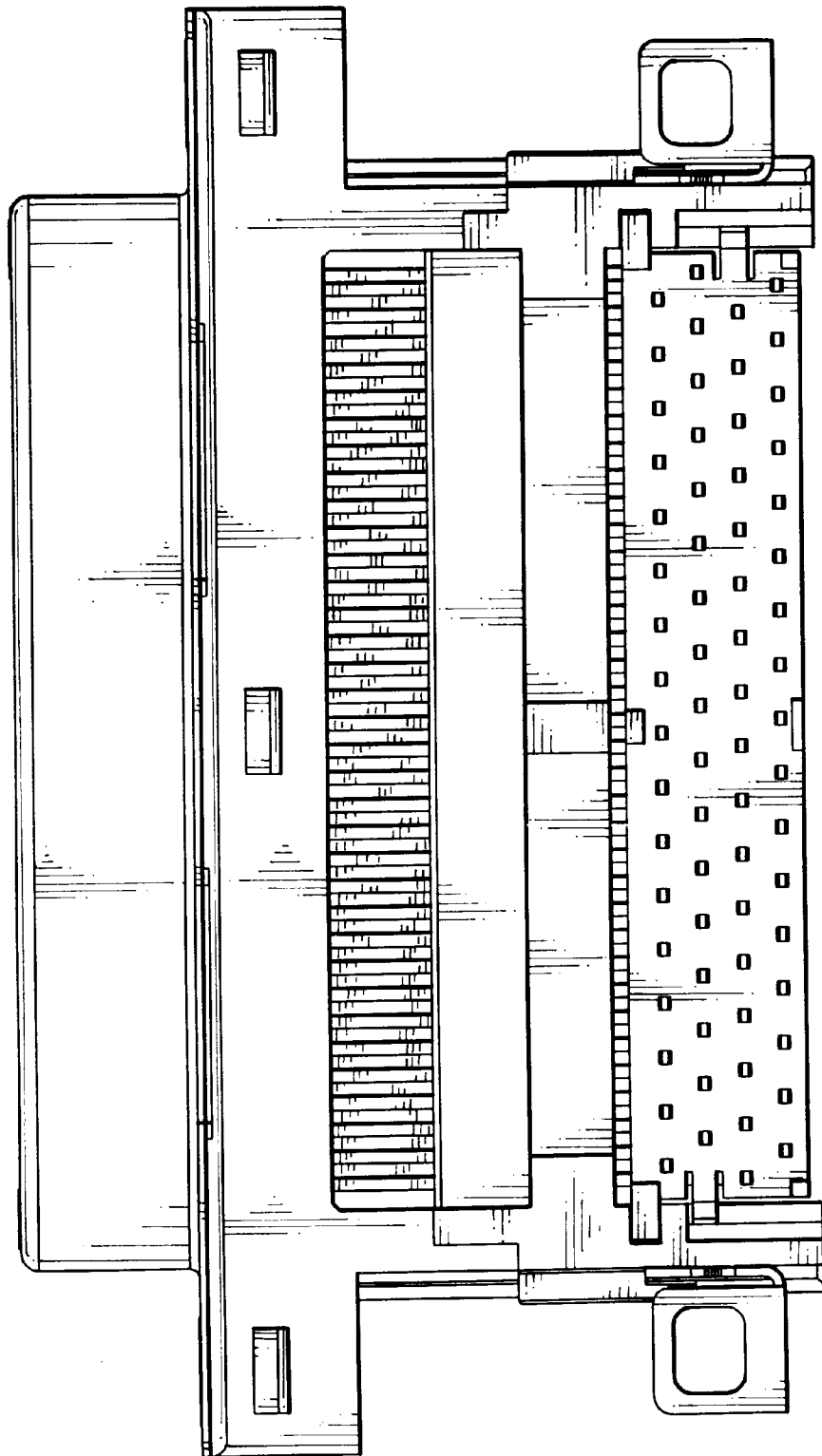


FIG. 7