



US00D867902S

(12) **United States Design Patent**  
**Buonamassa Stigliani**

(10) **Patent No.:** **US D867,902 S**  
(45) **Date of Patent:** **\*\* Nov. 26, 2019**

(54) **WATCH**

(71) Applicant: **Bulgari Horlogerie S.A.**, Neuchâtel (CH)

(72) Inventor: **Fabrizio Buonamassa Stigliani**, Neuchatel (CH)

(73) Assignee: **BULGARI HORLOGERIE S.A.**, Neuchâtel (CH)

(\*\*) Term: **15 Years**

(21) Appl. No.: **29/614,419**

(22) Filed: **Aug. 18, 2017**

(30) **Foreign Application Priority Data**

Feb. 20, 2017 (WO) ..... DM094945

(51) **LOC (12) Cl.** ..... **10-02**

(52) **U.S. Cl.**  
USPC ..... **D10/32**

(58) **Field of Classification Search**  
USPC ..... D10/30-39, 122-124, 126, 132; D11/3, D11/5; D8/307, 312  
See application file for complete search history.

(56) **References Cited**

**U.S. PATENT DOCUMENTS**

D296,766 S *	7/1988	Pavlovic .....	D10/32
D533,084 S *	12/2006	Arabo .....	D10/32
D558,613 S *	1/2008	Wei .....	D10/38
D606,886 S *	12/2009	Bulgari .....	D10/32
D606,894 S *	12/2009	Bulgari .....	D11/5

D628,092 S *	11/2010	Bulgari .....	D10/32
D629,312 S *	12/2010	Laucella .....	D10/39
D638,724 S *	5/2011	Laucella .....	D10/39
D675,124 S *	1/2013	Rowland .....	D11/5
D756,616 S *	5/2016	Darmetko .....	D11/3
D761,667 S *	7/2016	Buonamassa Stigliani ...	D10/32
D769,741 S *	10/2016	Buonamassa .....	D10/38
D780,176 S *	2/2017	Kim .....	D11/5
D780,178 S *	2/2017	Kwak .....	D14/138 R
D811,258 S *	2/2018	Buonamassa Stigliani ....	D11/5
D814,958 S *	4/2018	Silvestri .....	D11/4
D835,538 S *	12/2018	Silvestri .....	D11/31

\* cited by examiner

*Primary Examiner* — Sandra S Snapp

*Assistant Examiner* — Katherine Glennon

(74) *Attorney, Agent, or Firm* — Stephen Kenny; Peter Sullivan; Foley Hoag LLP

(57) **CLAIM**

The ornamental design for a watch, as shown and described.

**DESCRIPTION**

FIG. 1 is a perspective view of a watch showing my new design.

FIG. 2 is a front view thereof.

FIG. 3 is a back view thereof.

FIG. 4 is a left side view thereof.

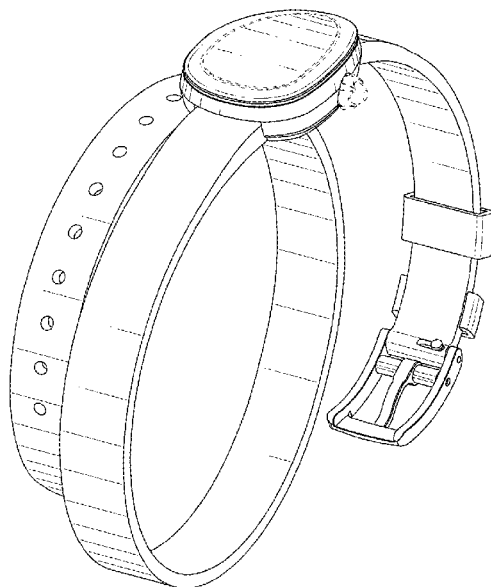
FIG. 5 is a right side view thereof.

FIG. 6 is a top view thereof; and,

FIG. 7 is a bottom view thereof.

The broken lines shown in the drawings represent portions of the watch which form no part of the claimed design.

**1 Claim, 7 Drawing Sheets**



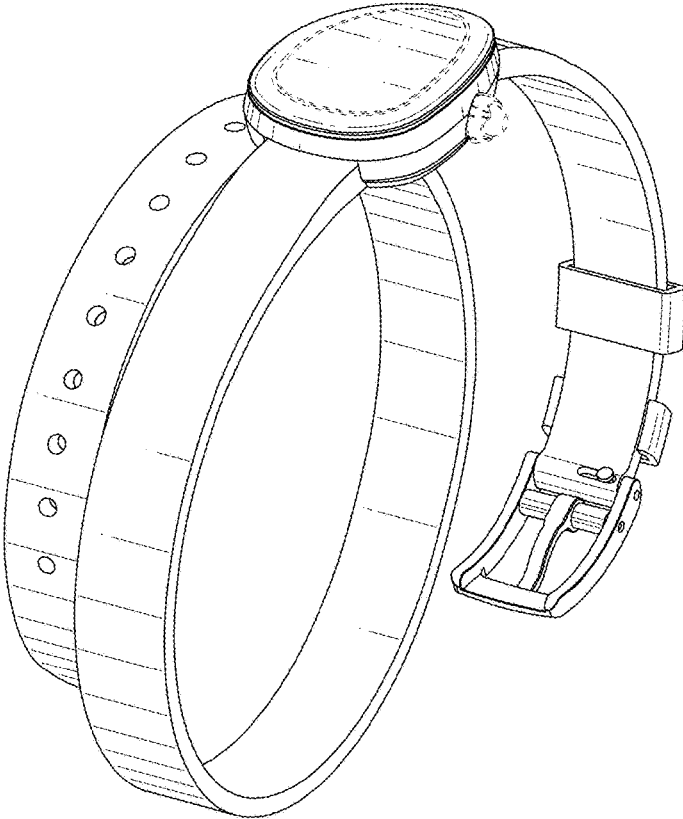


FIG. 1

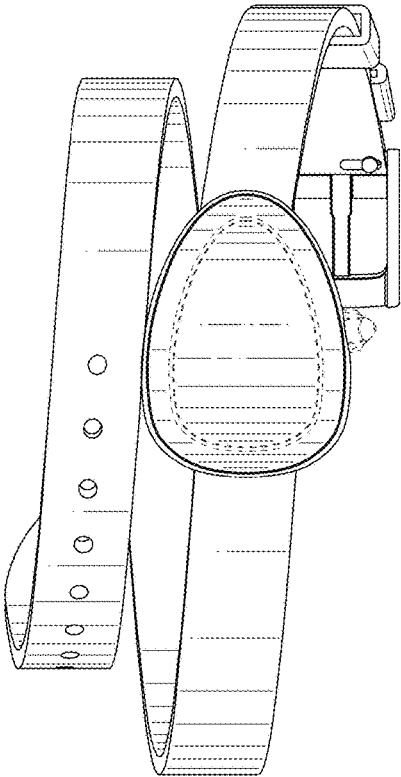


FIG.2

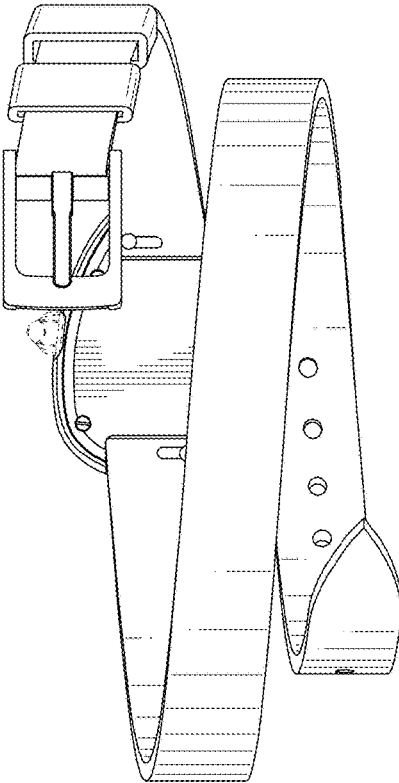


FIG.3

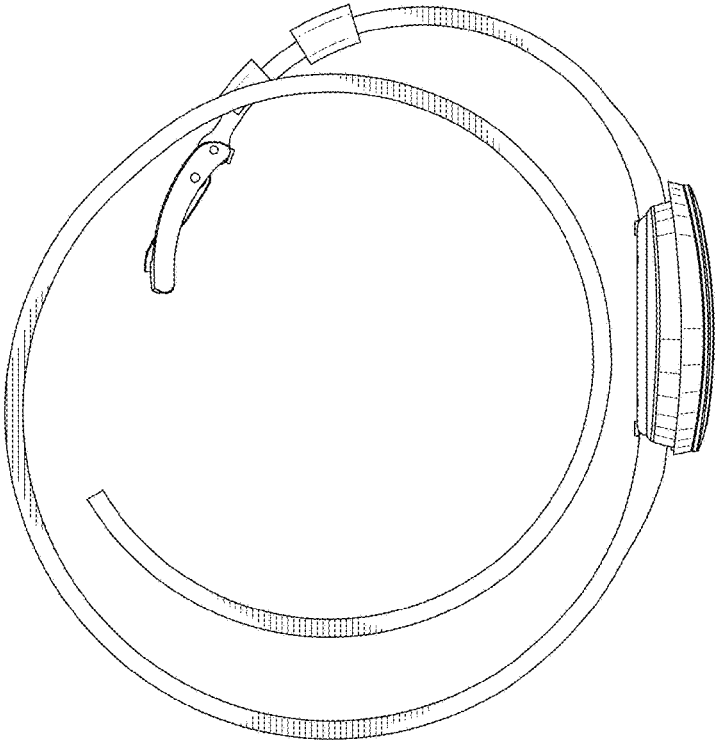


FIG.4

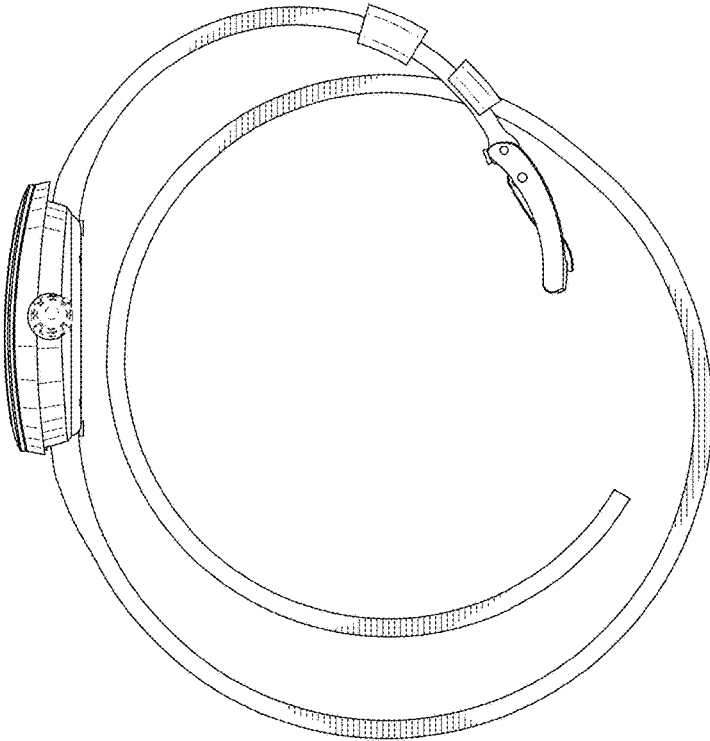


FIG.5

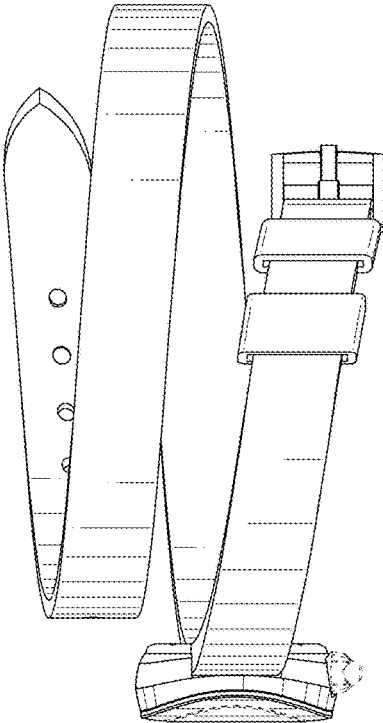


FIG.6

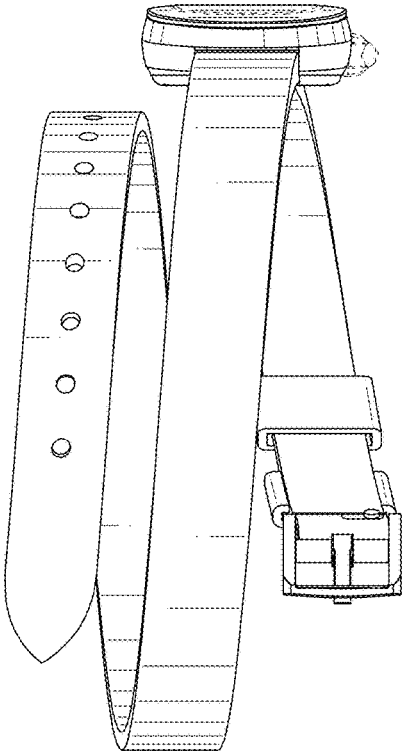


FIG. 7