



US00D832150S

(12) **United States Design Patent**
Etzelsberger et al.

(10) **Patent No.:** **US D832,150 S**

(45) **Date of Patent:** **** Oct. 30, 2018**

(54) **MOTORIZED SCOOTER**

(71) Applicant: **URBAN626, LLC**, Pasadena, CA (US)

(72) Inventors: **Sven Etzelsberger**, Pasadena, CA (US);
Grant Delgatty, Pasadena, CA (US)

(73) Assignee: **URBAN626, LLC**, Pasadena, CA (US)

(**) Term: **15 Years**

(21) Appl. No.: **29/589,265**

(22) Filed: **Dec. 29, 2016**

(51) **LOC (11) Cl.** **12-11**

(52) **U.S. Cl.**
USPC **D12/111**

(58) **Field of Classification Search**

USPC D12/111, 117, 406, 407; D21/419, 421,
D21/423, 426-428, 435, 668-671, 760,
D21/765, 771

CPC . B62K 3/002; B62K 9/00; B62K 9/02; B62K
13/00; B62K 2202/00

See application file for complete search history.

(56) **References Cited**

U.S. PATENT DOCUMENTS

1,359,329	A	11/1920	Carson	
2,135,257	A	11/1938	Manton	
3,486,765	A *	12/1969	Turner	B62K 15/00 280/278
3,695,496	A	10/1972	Humlong	
4,067,589	A	1/1978	Hon	
4,282,993	A	8/1981	Humlong	
4,598,923	A	7/1986	Csizmadia et al.	
4,653,767	A *	3/1987	Gajewski	B62K 13/00 280/278
D331,906	S	12/1992	Mohri	
D337,984	S	8/1993	Lindahl	
D338,433	S *	8/1993	Crooks, Sr.	D12/112
5,741,305	A	4/1998	Vincent et al.	

D457,197	S *	5/2002	Becker	D21/423
D464,379	S *	10/2002	Lin	D21/423
D466,839	S *	12/2002	Ou	D12/110
D476,618	S	7/2003	Wong et al.	

(Continued)

FOREIGN PATENT DOCUMENTS

CN	2078727	U	6/1991
CN	2094497	U	1/1992

(Continued)

OTHER PUBLICATIONS

Chinese Design No. 201330204981.8, filed May 24, 2013, Published Jan. 8, 2014 as 302709415.

(Continued)

Primary Examiner — Darlington Ly

(74) *Attorney, Agent, or Firm* — KPPB LLP

(57)

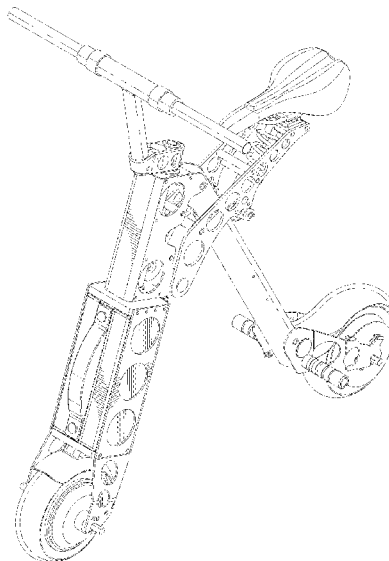
CLAIM

The ornamental design for a motorized scooter, as shown and described.

DESCRIPTION

FIG. 1 is a top, front, and left side perspective view of a motorized scooter showing our new design;
 FIG. 2 is a top, rear, and right side perspective view thereof;
 FIG. 3 is a bottom, front, and left side perspective view thereof;
 FIG. 4 is a bottom, front, and right side perspective view thereof;
 FIG. 5 is a left side elevation view thereof;
 FIG. 6 is a right side elevation view thereof;
 FIG. 7 is a front elevation view thereof;
 FIG. 8 is a rear elevation view thereof;
 FIG. 9 is a top plan view thereof; and,
 FIG. 10 is a bottom plan view thereof.

1 Claim, 9 Drawing Sheets



(56)

References Cited

U.S. PATENT DOCUMENTS

6,588,787 B2* 7/2003 Ou B62K 15/008
180/220
D483,821 S * 12/2003 Yang D12/112
D487,908 S * 3/2004 Mayer D21/423
D503,362 S * 3/2005 Zhu D12/111
6,877,756 B2 4/2005 Yamabe et al.
D511,719 S 11/2005 Chung
D513,629 S 1/2006 Sramek
D513,772 S 1/2006 Otis et al.
6,986,522 B2* 1/2006 Sinclair B62K 15/006
280/278
D522,076 S 5/2006 Casey
D544,462 S 6/2007 Patel
D546,277 S 7/2007 Andre et al.
D584,224 S 1/2009 Mori et al.
D586,265 S * 2/2009 Lin D12/111
D641,667 S * 7/2011 Ryan D12/111
D650,724 S * 12/2011 Chiang D12/111
D654,403 S * 2/2012 Kyu D12/111
D654,852 S 2/2012 Hansen
8,146,694 B2 4/2012 Hamidi
D668,586 S * 10/2012 Golias D12/111
8,376,383 B1 2/2013 Lee
D680,062 S 4/2013 Lien
D689,019 S 9/2013 Sato et al.
D695,156 S 12/2013 Jessie et al.
D726,592 S * 4/2015 Zhang D12/107
D735,812 S * 8/2015 Delgatty D21/423
D735,813 S * 8/2015 Delgatty D21/423
D743,887 S 11/2015 Dasbach
9,205,889 B2 12/2015 Paick
D746,924 S * 1/2016 Delgatty D21/423
9,227,687 B2* 1/2016 Delgatty B62K 5/006
D750,711 S * 3/2016 Delgatty D21/423
9,283,848 B2* 3/2016 Parienti B62K 3/002
D767,469 S 9/2016 Liu
9,440,699 B1 9/2016 Wittorf et al.
D774,979 S 12/2016 Delgatty et al.
D777,606 S 1/2017 Dai et al.
D788,698 S 6/2017 Lin
9,694,868 B2 7/2017 Delgatty et al.
D804,364 S 12/2017 Xianqiang et al.
9,873,476 B2 1/2018 Etzelsberger et al.
D820,201 S 6/2018 Delgatty et al.
D827,035 8/2018 Delgatty et al.
2001/0000394 A1 4/2001 Whittaker
2003/0051934 A1 3/2003 Ou et al.
2004/0026147 A1 2/2004 Kao et al.
2005/0035570 A1* 2/2005 Chu B62K 15/006
280/278
2006/0243507 A1 11/2006 Huber
2006/0244418 A1 11/2006 Liao et al.
2007/0258758 A1 11/2007 Ho
2008/0061528 A1 3/2008 Musabi et al.
2008/0217085 A1 9/2008 Wernli et al.
2008/0224441 A1 9/2008 Lu
2009/0240858 A1 9/2009 Takebayashi et al.
2009/0289434 A1 11/2009 Lin
2010/0006721 A1 1/2010 Lien
2010/0224662 A1 9/2010 Crum et al.
2010/0291418 A1 11/2010 Zhou et al.
2010/0295264 A1 11/2010 Denais
2010/0320717 A1 12/2010 Huang
2011/0193313 A1 8/2011 Yun
2012/0009804 A1 1/2012 Heichal et al.
2012/0043148 A1 2/2012 Brady et al.
2012/0094162 A1 4/2012 Gyenes
2012/0152993 A1 6/2012 Chen
2012/0273287 A1 11/2012 Song et al.
2013/0043826 A1 2/2013 Workman et al.
2014/0225348 A1 8/2014 Wu
2014/0326525 A1 11/2014 Doerksen
2015/0068828 A1* 3/2015 Delgatty B62K 5/006
180/210
2015/0321722 A1 11/2015 Dadoosh et al.

2016/0009255 A1 1/2016 Droste
2016/0083039 A1 3/2016 Delgatty et al.
2016/0347397 A1 12/2016 Etzelsberger et al.
2017/0259871 A1 9/2017 Delgatty et al.
2018/0015978 A1 1/2018 Delgatty et al.
2018/0022412 A1 1/2018 Etzelsberger et al.
2018/0079319 A1 3/2018 Etzelsberger et al.
2018/0099722 A1 4/2018 Etzelsberger et al.

FOREIGN PATENT DOCUMENTS

CN 2095153 U 2/1992
CN 2120052 U 10/1992
CN 2125542 U 12/1992
CN 2145148 Y 11/1993
CN 1086775 A 5/1994
CN 2178674 Y 10/1994
CN 2194325 Y 4/1995
CN 2214343 Y 12/1995
CN 2217560 Y 1/1996
CN 2270004 Y 12/1997
CN 2280042 Y 4/1998
CN 2350284 Y 11/1999
CN 2444866 Y 8/2001
CN 2446039 Y 9/2001
CN 2598831 Y 9/2001
CN 3232356 D 4/2002
CN 2609827 Y 4/2004
CN 3346886 D 4/2004
CN 2623589 Y 7/2004
CN 3377320 D 7/2004
CN 2644281 Y 9/2004
CN 2711022 Y 7/2005
CN 2721500 Y 8/2005
CN 2758196 Y 2/2006
CN 200957871 Y 10/2007
CN 200992276 Y 12/2007
CN 201016020 Y 2/2008
CN 300832206 D 9/2008
CN 201442629 U 4/2010
CN 101708758 A 5/2010
CN 201447025 U 5/2010
CN 201647016 U 11/2010
CN 201849580 U 6/2011
CN 201849584 U 6/2011
CN 101804839 B 12/2011
CN 202186467 U 4/2012
CN 202320664 U 7/2012
CN 202491886 U 10/2012
CN 202624536 U 12/2012
CN 302232853 S 12/2012
CN 202703785 U 1/2013
CN 202863671 U 4/2013
CN 103072658 A 5/2013
CN 103171719 A 6/2013
CN 203268251 U 11/2013
CN 302709415 S 1/2014
CN 103600798 A 2/2014
CN 302729747 S 2/2014
CN 104290843 A 1/2015
CN 204137242 U 2/2015
CN 303101631 S 2/2015
CN 204399396 U 6/2015
CN 204567915 U 8/2015
CN 204606081 U 9/2015
CN 204801982 U 11/2015
CN 105151197 A 12/2015
CN 204846216 U 12/2015
CN 205010403 U 2/2016
CN 205010404 U 2/2016
CN 105416481 A 3/2016
CN 105501369 A 4/2016
CN 205186428 U 4/2016
CN 205186430 U 4/2016
CN 105539680 A 5/2016
CN 105539688 A 5/2016
CN 105539691 A 5/2016
CN 205220935 U 5/2016
CN 105722752 A 6/2016

(56)

References Cited

FOREIGN PATENT DOCUMENTS

CN	205396364	U	7/2016
CN	205469551	U	8/2016
CN	205469567	U	8/2016
CN	205554440	U	9/2016
CN	205602020	U	9/2016
CN	106043555	A	10/2016
CN	205737898	U	11/2016
CN	205819446	U	12/2016
CN	106965898	A	7/2017
CN	103723227	B	9/2017
CN	304466558	S	1/2018
DE	19516763	A1	11/1996
EP	3063056	A1	9/2016
EP	3063056	B1	8/2018
FR	1249891	A	1/1961
FR	2844248	A1	3/2004
GB	2106450	B	3/1985
GB	2379641	A	3/2003
GB	2427392	B	7/2007
JP	04358984	A	12/1992
JP	06329068	A	11/1994
JP	07052857	A	2/1995
JP	1155291		10/2002
KR	200339371	Y1	1/2004
KR	30358808		8/2004
WO	9801334	A1	1/1998
WO	2011098887	A1	8/2011
WO	2011099717	A2	8/2011
WO	2015038674	A1	3/2015
WO	2016045318	A1	3/2016
WO	2016196510		12/2016
WO	2017177677	A1	10/2017
WO	2018017898	A1	1/2018
WO	2018057767	A1	3/2018

OTHER PUBLICATIONS

Chinese Design No. 201430564490.9, filed Dec. 31, 2014, Published May 6, 2015 as 303197333.

Chinese Design No. 201530021961.6, filed Jan. 21, 2015, Published Oct. 7, 2015 as 303403049.

Chinese Design No. 201530049360.6, filed Feb. 26, 2015, Published Jul. 29, 2015 as 303307665.

Chinese Design No. 201530345978.7, filed Sep. 9, 2015, Published Dec. 23, 2015 as 303519704.

Chinese Design No. 201530360131.6, filed Sep. 17, 2015, Published Jan. 6, 2016 as 303541390.

Chinese Design No. 201530374219.3, filed Sep. 25, 2015, Published Jan. 27, 2016 as 303572100.

Chinese Design No. 201530421908.5, filed Oct. 28, 2015, Published Mar. 30, 2016 as 303627516.

Chinese Design No. 201630011386.6, filed Jan. 13, 2016, Published Jun. 22, 2016 as 303718360.

Chinese Design No. 201630299422.3, filed Jul. 2, 2016, Published Oct. 19, 2016 as 303895582.

European Design No. 001890740-0001, filed Jul. 13, 2011, Published Aug. 29, 2011 as 2011/195 A.1.

European Design No. 002318303-0002, filed Sep. 30, 2013, Published Oct. 4, 2013 as 2013/189 A.1.

European Design No. 002549568-0001, filed Oct. 2, 2014, Published Apr. 5, 2017 as 2017/066 A.1.

European Design No. 002804146-0001, filed Sep. 29, 2015, Published Nov. 16, 2015 as 2015/217 A.1.

Extended European Search Report for European Application No. 14843829.4, dated Mar. 9, 2017, dated Mar. 16, 2017, 10 Pgs.

International Preliminary Report on Patentability for International Application PCT/US2014/055033, dated Mar. 15, 2016, dated Mar. 24, 2016, 5 Pgs.

International Preliminary Report on Patentability for International Application PCT/US2016/035093, dated Dec. 5, 2017, dated Dec. 14, 2017, 7 Pgs.

International Search Report and Written Opinion for International Application No. PCT/US2016/035093, dated Jul. 26, 2016, dated Aug. 25, 2016, 8 Pgs.

International Search Report and Written Opinion for International Application No. PCT/US2017/052763, dated Nov. 13, 2017, dated Nov. 29, 2017, 11 Pgs.

International Search Report and Written Opinion for International Application No. PCT/US2017/043175, dated Sep. 10, 2017, dated Sep. 28, 2017, 14 Pgs.

International Search Report and Written Opinion for International Application PCT/US2014/055033, dated Nov. 16, 2014, dated Dec. 19, 2014.

"7 electric scooters that will change the way you commute", Business Insider, <https://www.businessinsider.in/7-electric-scooters-that-will-change-the-way-you-commute/CycleBoard/slideshow/57044040.cms>, Feb. 8, 2017, 6 pgs.

"ILY-A", ARS Electronica 2015, Sep. 7, 2015, Retrieved from the Internet URL:<http://www.aec.at/postcity/en/ily-a/> on Jul. 8, 2016.

"Stigo Scooter User Manual", <https://stigobike.com/wp-content/uploads/2017/12/Stigo-manual-En-1.pdf>, 2017, 30 pgs.

"Urb-E Sport", Urb-E, <https://www.urb-e.com/sport/>, Jan. 8, 2017, 11 pgs.

Crook, "Urb-E, The Fold-Up Electric Scooter, Goes Live on Indiegogo", Feb. 10, 2014, URL: <https://techcrunch.com/2014/02/10/urb-e-the-fold-up-electric-scooter-goes-live-on-indiegogo/> on Apr. 30, 2017.

Mok, Kimberley, "Halfbike: Upright simplified bike combines biking with jogging (Video)", Tree Hugger, Mar. 21, 2014, Retrieved from the Internet URL:<http://www.treehugger.com/bikes/halfbike-kolelinia-upright-simplified-bike-combines-biking-with-jogging.html> on Jul. 8, 2016.

Prigg, "Is this the future of commuting? Worlds smallest e-vehicle revealed—and it is controlled by an app", Daily Mail, Feb. 25, 2014, Retrieved from the Internet URL: <http://www.dailymail.co.uk/sciencetech/article-2567972/Is-future-commuting-Worlds-smallest-e-vehicle-revealed-controlled-app.html> on Jul. 8, 2016.

Seth, Radhika, "Get a Jiffy Ride", YD—Yanko Design, Feb. 9, 2010, Retrieved from the Internet URL: <http://www.yankodesign.com/2010/02/09/get-a-jiffy-ride/> on Jul. 8, 2016.

* cited by examiner

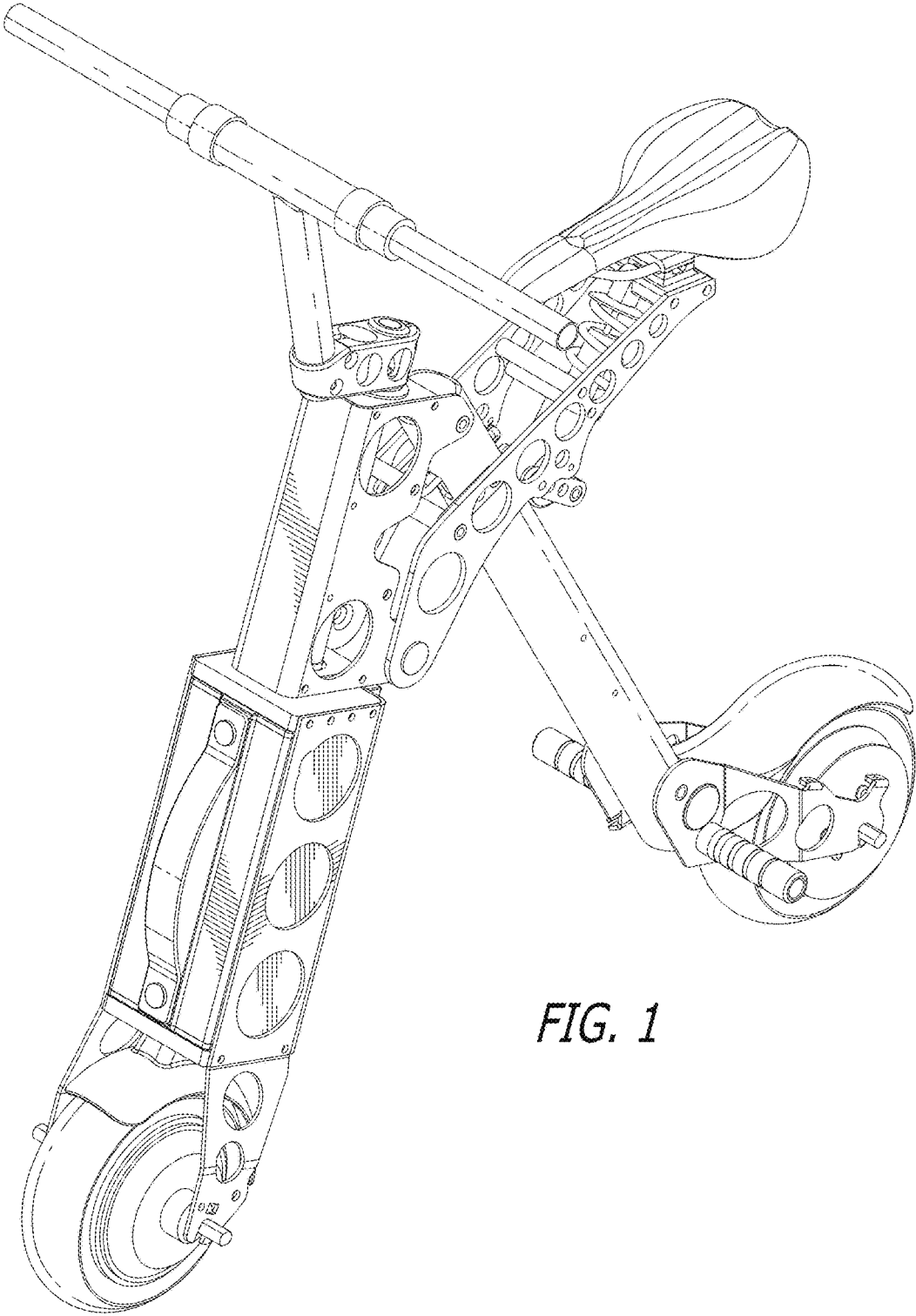
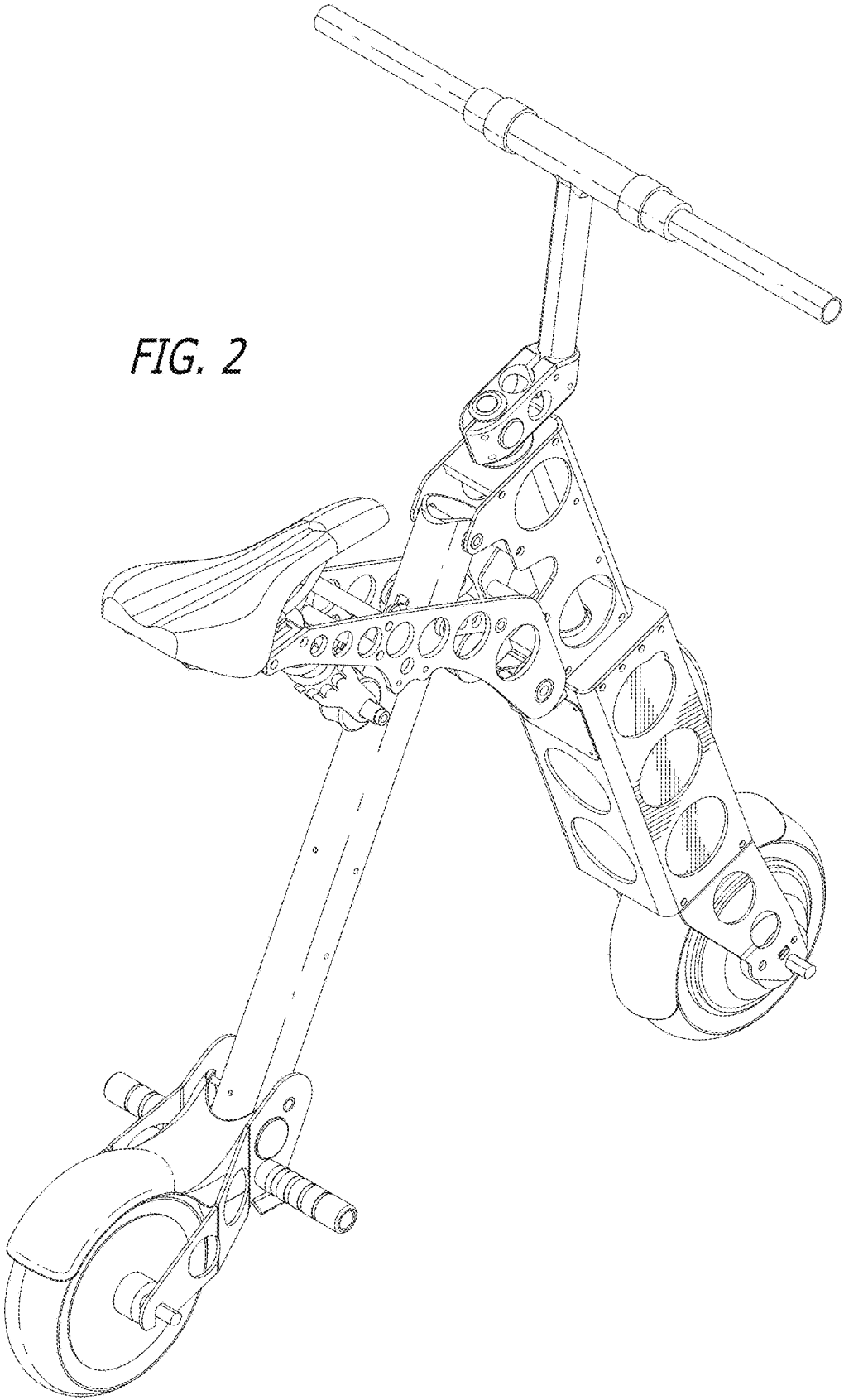


FIG. 1

FIG. 2



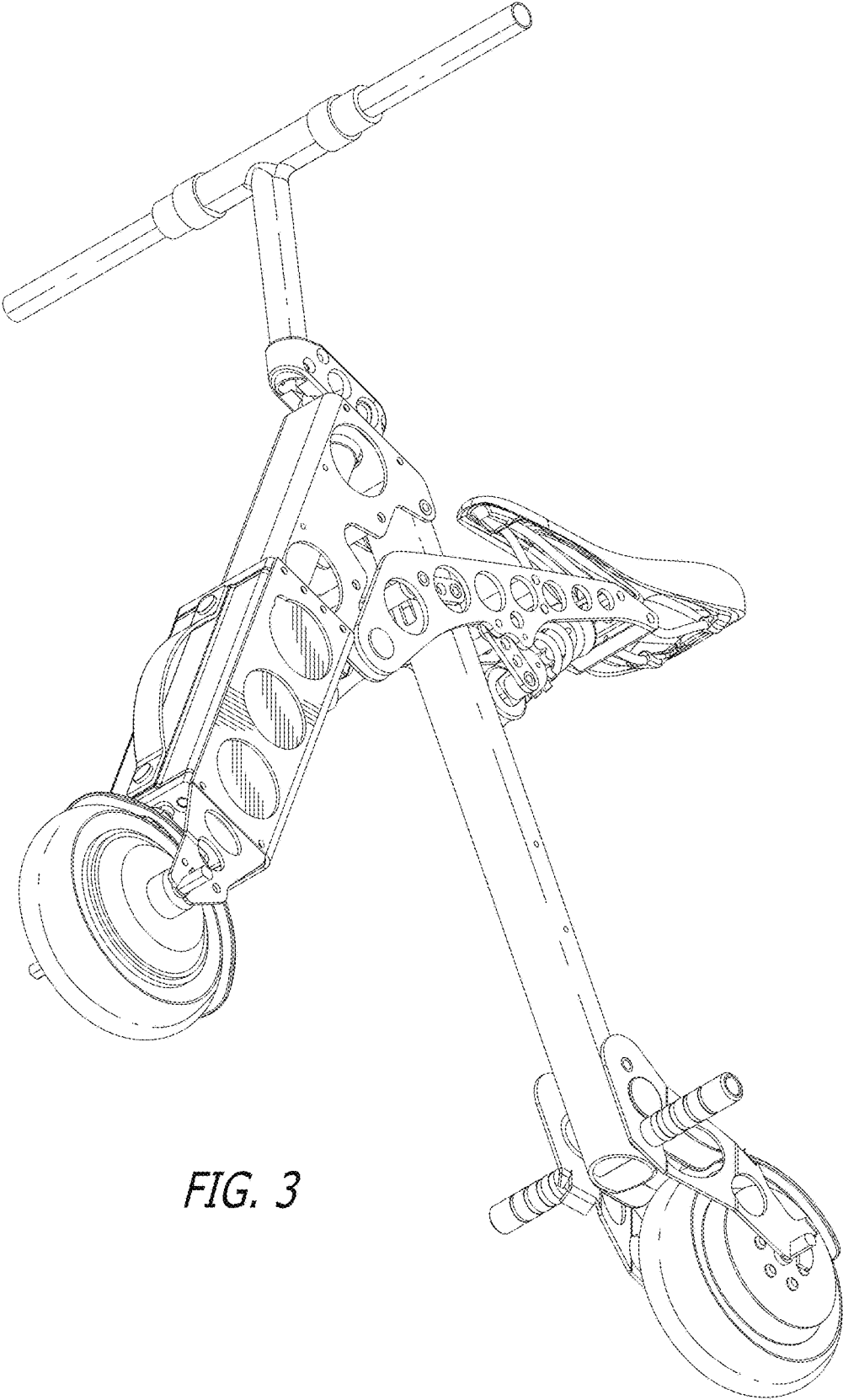


FIG. 3

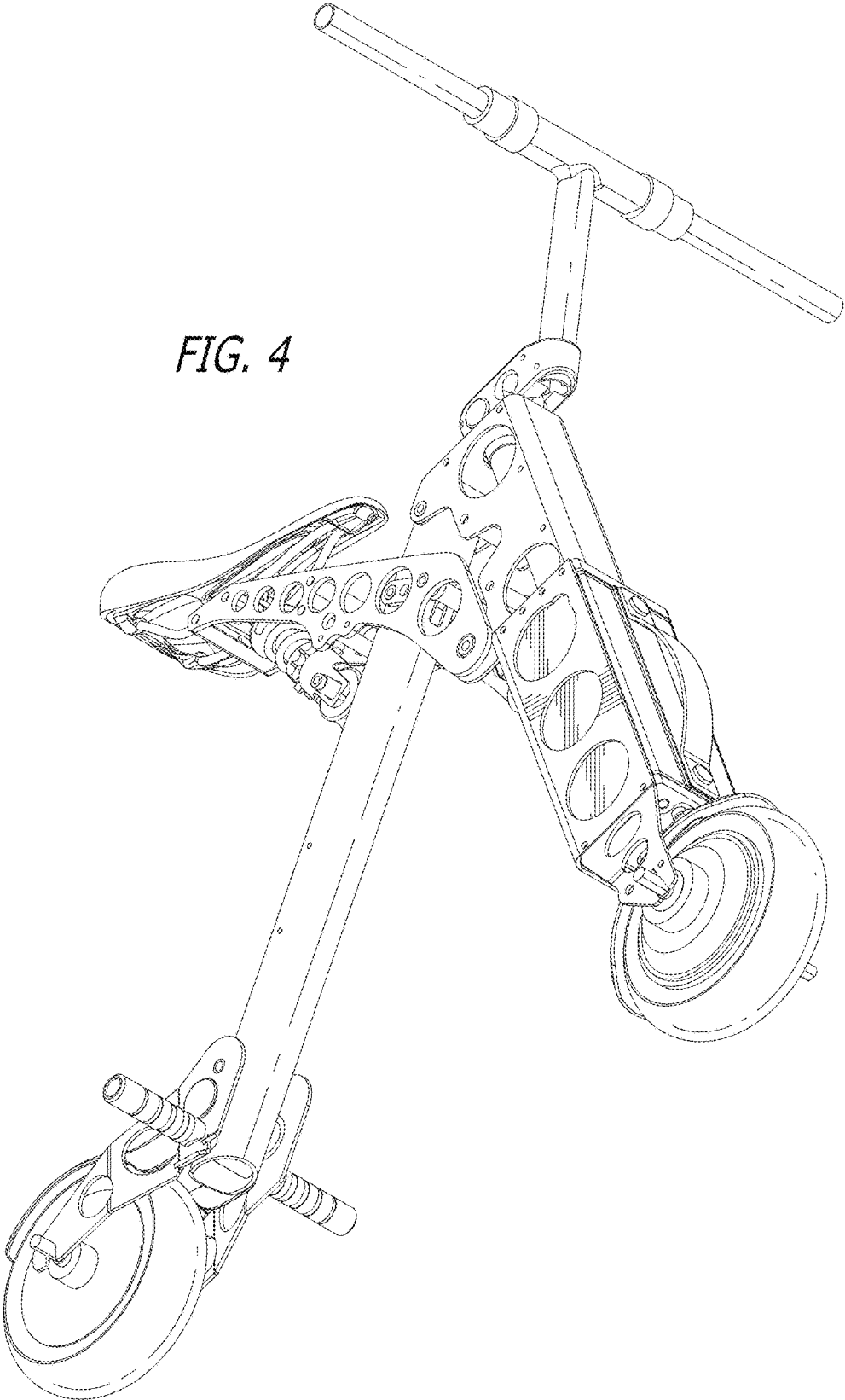


FIG. 4

FIG. 5

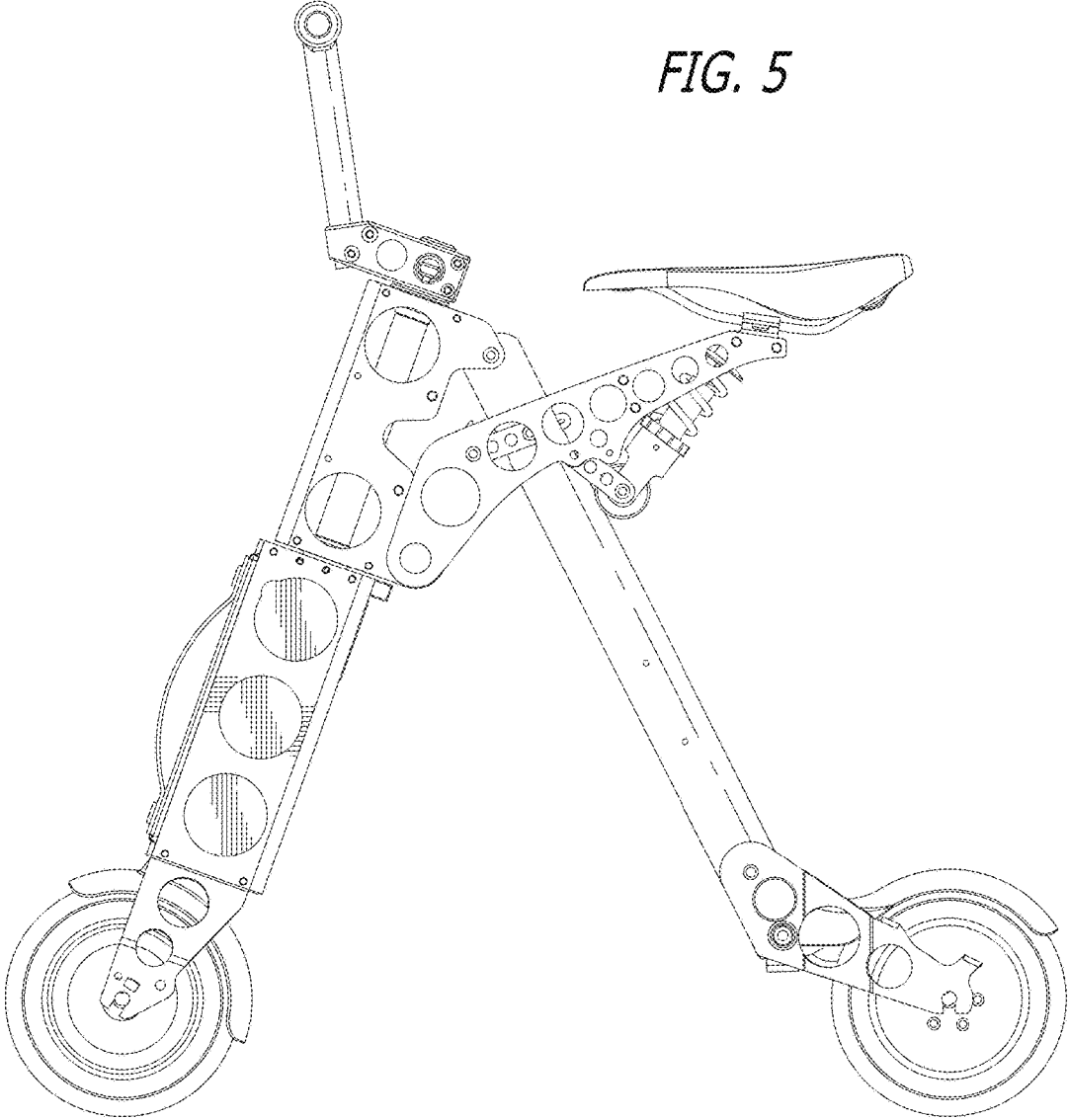
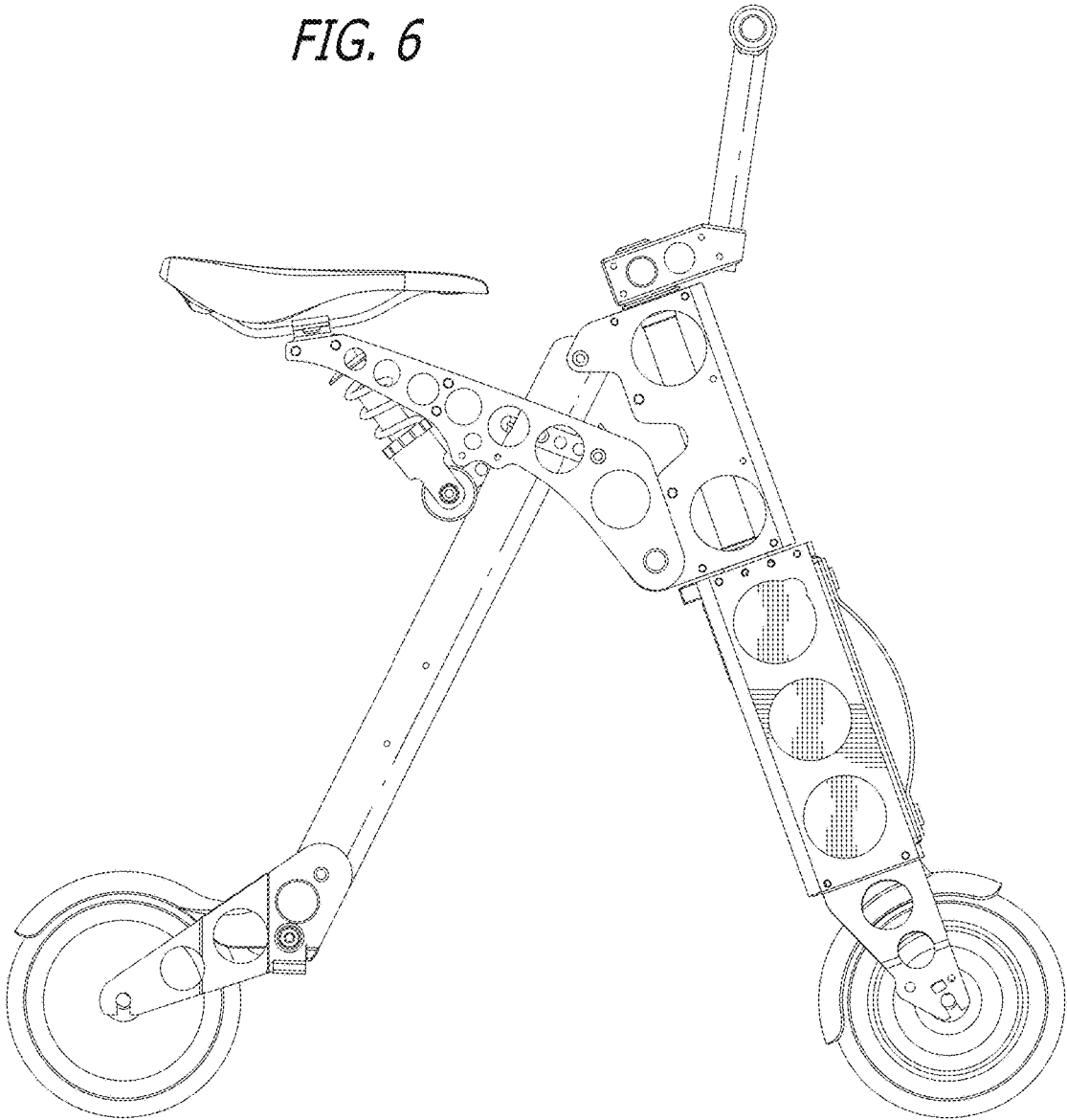


FIG. 6



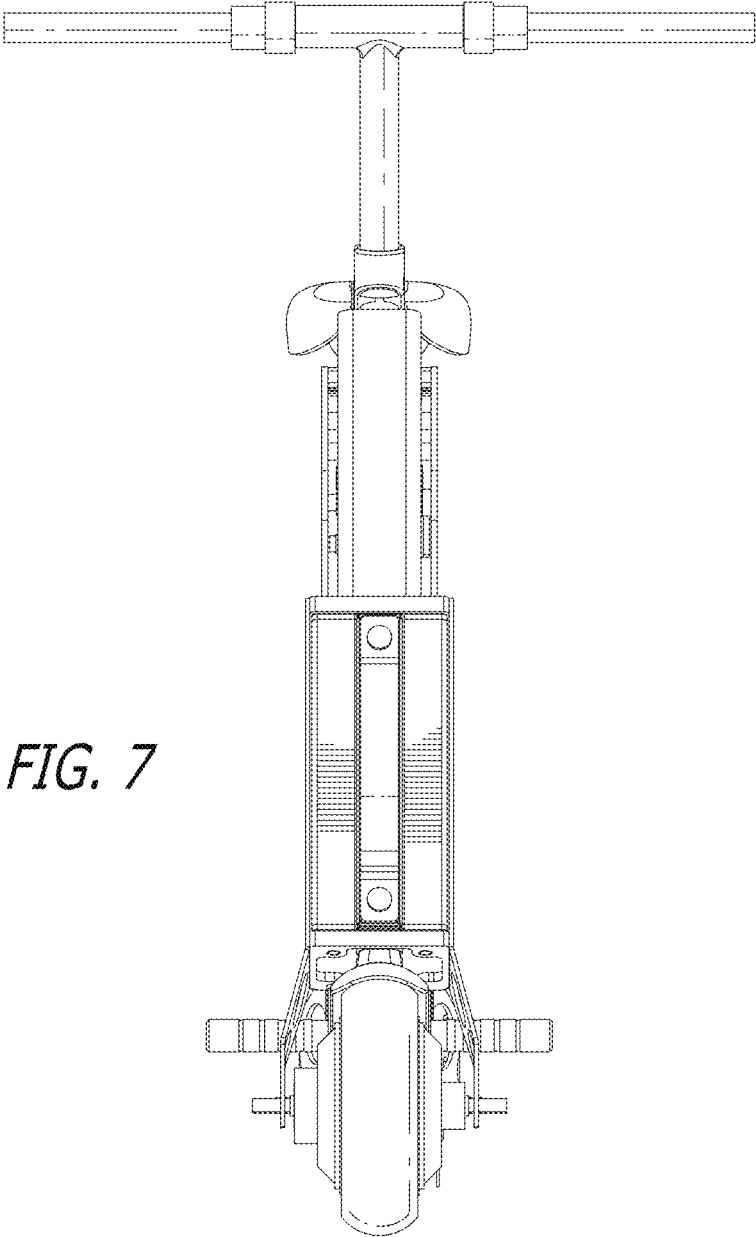


FIG. 7

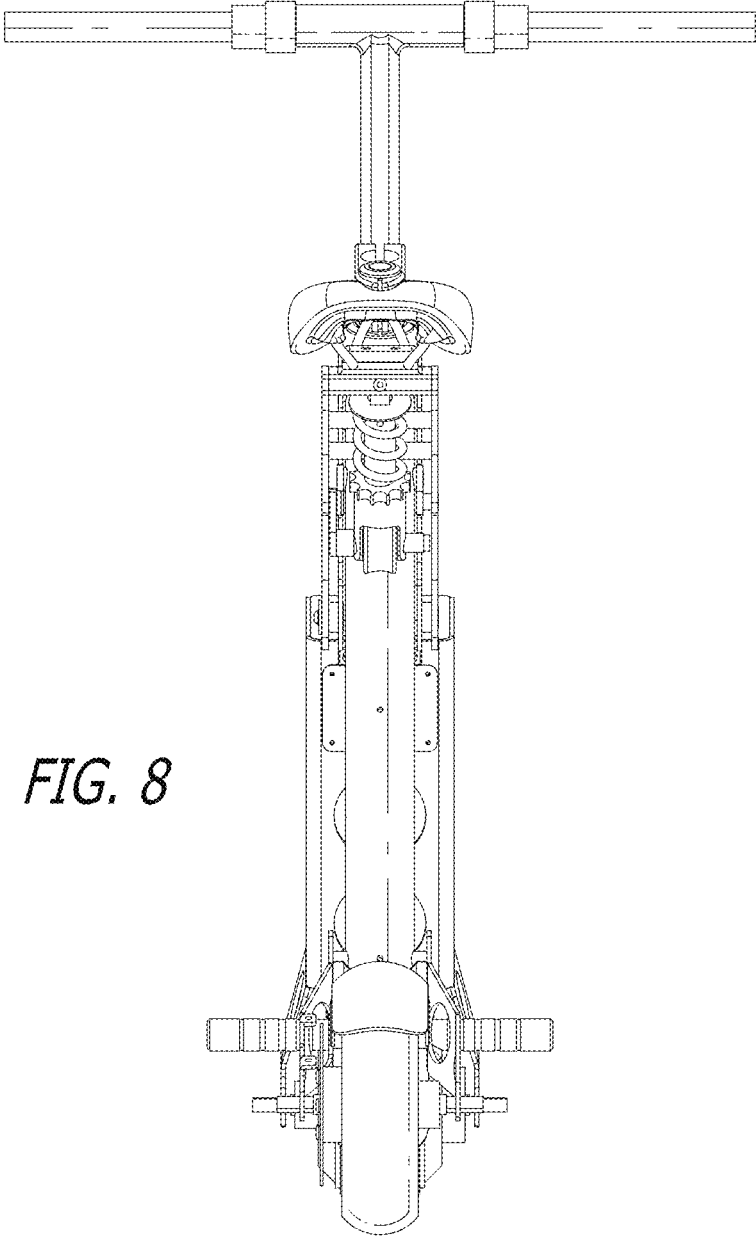


FIG. 8

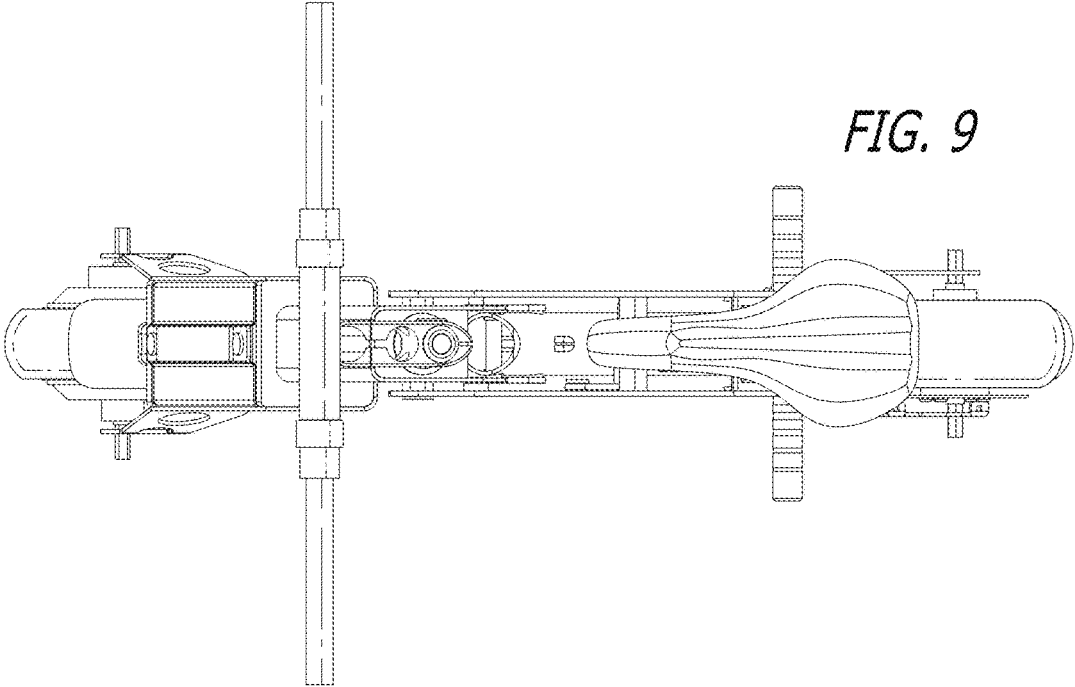


FIG. 9

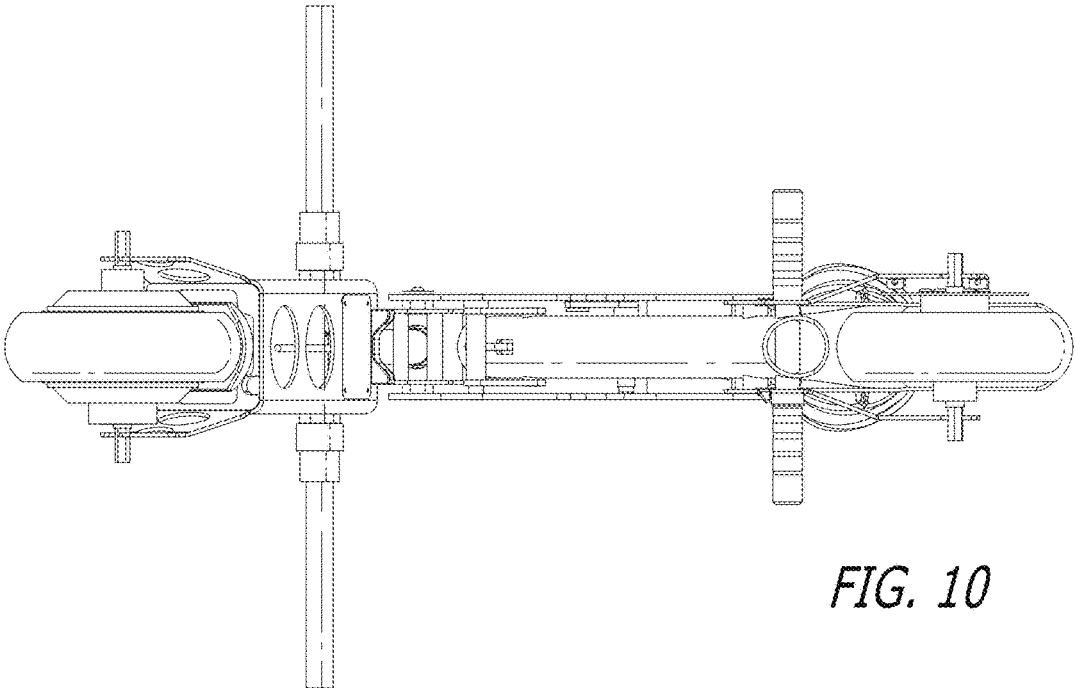


FIG. 10