



US00D897457S

(12) **United States Design Patent**
Vézina

(10) **Patent No.:** **US D897,457 S**

(45) **Date of Patent:** **** Sep. 29, 2020**

(54) **FIGURINE**
(71) Applicant: **Mattel-MEGA Holdings (US), LLC**,
El Segundo, CA (US)

3,651,598 A 3/1972 Lang
3,768,197 A 10/1973 Shimamura
3,874,113 A 4/1975 Beck
3,946,517 A 3/1976 Goldfarb et al.
D239,634 S 4/1976 Knudsen et al.

(Continued)

(72) Inventor: **Benoit Vézina**, Montreal (CA)
(73) Assignee: **Mattel-MEGA Holdings (US), LLC**,
El Segundo, CA (US)

FOREIGN PATENT DOCUMENTS

EM 000907860-0001 * 4/2008
EM 002610717-0004 9/2015

(**) Term: **15 Years**

OTHER PUBLICATIONS

(21) Appl. No.: **29/654,482**

Amazon, Lego Duplo Ville 5646: Farm Nursery, posted Jan. 1, 2010, [online], [visited May 13, 2020]. Internet, <URL: https://www.amazon.co.uk/LEGO-DUPLO-Ville-5646-Nursery/dp/B002KCNUGW/ref=> (Year: 2010).*

(22) Filed: **Jun. 25, 2018**

(Continued)

Related U.S. Application Data

(62) Division of application No. 29/611,325, filed on Jul. 20, 2017, now Pat. No. Des. 837,311.

(51) **LOC (12) Cl.** **21-01**

(52) **U.S. Cl.**
USPC **D21/658**

(58) **Field of Classification Search**
USPC D21/398, 483, 576, 578, 621–623, 625,
D21/626, 627, 628, 629, 630–636, 658,
D21/616; D15/199

CPC ... A63H 3/00; A63H 3/04; A63H 3/16; A63H
3/20; A63H 3/36; A63H 3/365; A63H
3/40; A63H 3/50; A63H 11/00; A63H
11/02; A63H 11/14

See application file for complete search history.

Primary Examiner — Sheryl Lane

Assistant Examiner — Samantha N Wood

(74) *Attorney, Agent, or Firm* — Plumsea Law Group,
LLC

(57) **CLAIM**

The ornamental design for a figurine, as shown and described.

DESCRIPTION

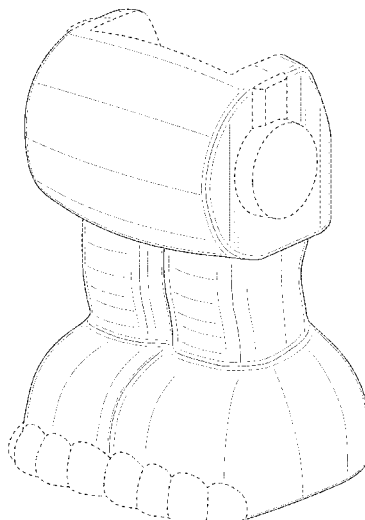
FIG. 1 is a top isometric perspective view of a figurine showing the new design;
FIG. 2 is a front elevational view thereof;
FIG. 3 is a rear elevational view thereof;
FIG. 4 is a side elevational view thereof;
FIG. 5 is an opposite side elevational view thereof;
FIG. 6 is a top plan view thereof; and
FIG. 7 is a bottom plan view thereof.
The broken lines and unshaded areas are included to illustrate parts of the article's appearance that form no part of the claimed design.

(56) **References Cited**

U.S. PATENT DOCUMENTS

1,282,004 A 10/1918 Shearer
1,297,089 A 3/1919 Caccialanza
D71,094 S 9/1926 Willmott
D137,551 S 6/1944 Baker
D163,527 S * 6/1951 Lewadowski D23/215
2,752,726 A 7/1956 Calverley
3,225,489 A 12/1965 Ryan
3,236,004 A 2/1966 Christiansen

1 Claim, 7 Drawing Sheets



(56)

References Cited

U.S. PATENT DOCUMENTS

- | | | | | | | | |
|-----------|----|-----------|-------------------------|--------------|----|----------|-------------------------------------|
| D239,846 | S | 5/1976 | Knudsen et al. | D494,643 | S | 8/2004 | Bresciani et al. |
| 3,962,819 | A | 6/1976 | Christiansen | D495,764 | S | 9/2004 | Bresciani et al. |
| 3,995,395 | A | 12/1976 | Rahmstorf | 6,817,921 | B2 | 11/2004 | Chin et al. |
| D246,199 | S | 10/1977 | Ogawa | D504,708 | S | 5/2005 | Wang |
| D246,201 | S | 10/1977 | Ogawa | 7,021,989 | B2 | 4/2006 | Wai |
| 4,063,381 | A | 12/1977 | Deulofeu | D531,084 | S | 10/2006 | McGowen et al. |
| D247,054 | S | 1/1978 | Rahmstorf | D531,234 | S | 10/2006 | Kitamura |
| D248,115 | S | 6/1978 | Tapdrup | D531,541 | S | 11/2006 | McGowen et al. |
| D248,172 | S | 6/1978 | Tapdrup | D531,542 | S | 11/2006 | McGowen et al. |
| D248,173 | S | 6/1978 | Tapdrup | D534,457 | S | 1/2007 | Newbould et al. |
| D248,174 | S | 6/1978 | Tapdrup | D536,051 | S | 1/2007 | Hernandez, Jr. |
| D248,175 | S | 6/1978 | Tapdrup | D539,364 | S | 3/2007 | Sofussen |
| D248,176 | S | 6/1978 | Tapdrup | D556,840 | S | 12/2007 | Wilk et al. |
| D248,177 | S | 6/1978 | Tapdrup | D594,870 | S | 6/2009 | Leung |
| D248,178 | S | 6/1978 | Tapdrup | 7,553,209 | B1 | 6/2009 | Sorensen |
| D248,582 | S | 7/1978 | Tapdrup | 7,566,256 | B2 | 7/2009 | Wai |
| 4,136,481 | A | 1/1979 | Nicholls | D611,108 | S | 3/2010 | Bodin |
| 4,141,176 | A | 2/1979 | Flicker et al. | D621,886 | S | 8/2010 | Lee |
| D251,261 | S | 3/1979 | Tapdrup | D631,786 | S | 2/2011 | Palmer |
| D253,711 | S | 12/1979 | Christiansen et al. | D639,353 | S | 6/2011 | Stibolt |
| 4,185,412 | A | 1/1980 | Rahmstorf | 8,210,891 | B2 | 7/2012 | Brumagin et al. |
| D254,264 | S | 2/1980 | Melotti | D672,410 | S | 12/2012 | Dubreuil et al. |
| 4,190,982 | A | 3/1980 | Rahmstorf | D672,411 | S | 12/2012 | Dubreuil et al. |
| D255,475 | S | 6/1980 | Boot | D672,412 | S | 12/2012 | Dubreuil et al. |
| 4,205,482 | A | 6/1980 | Christiansen et al. | D672,413 | S | 12/2012 | Dubreuil et al. |
| D255,813 | S | 7/1980 | Pape et al. | D676,505 | S | 2/2013 | Mimlitch, III et al. |
| D259,647 | S | * 6/1981 | Takahashi D21/593 | D676,507 | S | * 2/2013 | Mimlitch, III D21/578 |
| D260,665 | S | 9/1981 | Yamashina | D677,744 | S | 3/2013 | Yu |
| 4,399,632 | A | 8/1983 | Iseki | D688,332 | S | 8/2013 | Stosiak et al. |
| D278,645 | S | 4/1985 | Nielsen | 9,022,832 | B1 | * 5/2015 | Skripps A63H 3/48
446/330 |
| 4,512,749 | A | 4/1985 | Deulofeu | D740,683 | S | 10/2015 | Kassouni |
| D278,735 | S | 5/1985 | Nielsen | D746,171 | S | 12/2015 | Lau et al. |
| D279,494 | S | 7/1985 | Nielsen | D753,241 | S | 4/2016 | Jaensch |
| D282,944 | S | 3/1986 | Nielsen | D753,243 | S | 4/2016 | Jaensch |
| D283,149 | S | 3/1986 | Nielsen | D760,328 | S | 6/2016 | Croston et al. |
| D283,150 | S | 3/1986 | Jensen | D760,330 | S | 6/2016 | Croston et al. |
| D283,906 | S | 5/1986 | Nielsen | D762,787 | S | 8/2016 | Barbiani et al. |
| D284,091 | S | 6/1986 | Amau | 2007/0087651 | A1 | 4/2007 | Ali |
| 4,643,691 | A | 2/1987 | Keiji | 2015/0238880 | A1 | * 8/2015 | Austin A63H 33/003
446/376 |
| D291,585 | S | 8/1987 | Bertrand | 2017/0128847 | A1 | * 5/2017 | Hacking A63H 3/16 |
| D292,723 | S | * 11/1987 | Zacherle D21/630 | | | | |
| D292,812 | S | 11/1987 | Zacherle | | | | |
| D301,499 | S | 6/1989 | Tapdrup | | | | |
| D301,500 | S | 6/1989 | Tapdrup | | | | |
| 4,950,912 | A | 8/1990 | Goldfarb et al. | | | | |
| 4,993,988 | A | 2/1991 | Chamberlain | | | | |
| D317,796 | S | 6/1991 | Laursen | | | | |
| D325,605 | S | 4/1992 | Holmstrom | | | | |
| D329,069 | S | 9/1992 | Holmstrom | | | | |
| D329,070 | S | 9/1992 | Holmstrom | | | | |
| D329,884 | S | 9/1992 | Holmstrom | | | | |
| D332,117 | S | 12/1992 | Holmstrom | | | | |
| 5,209,694 | A | 5/1993 | Utt, Jr. | | | | |
| 5,328,400 | A | 7/1994 | Bass | | | | |
| D352,078 | S | 11/1994 | Bertrand | | | | |
| D353,417 | S | 12/1994 | Ryaa et al. | | | | |
| D353,418 | S | 12/1994 | Ryaa et al. | | | | |
| D353,856 | S | 12/1994 | Ryaa et al. | | | | |
| D354,533 | S | 1/1995 | Ryaa et al. | | | | |
| D366,076 | S | 1/1996 | Pedersen | | | | |
| D366,678 | S | * 1/1996 | Cimock D21/483 | | | | |
| D373,155 | S | * 8/1996 | Cimock D21/483 | | | | |
| D374,466 | S | * 10/1996 | Guegan D21/532 | | | | |
| 5,628,669 | A | 5/1997 | Hesse | | | | |
| D393,670 | S | 4/1998 | Glickman et al. | | | | |
| D404,441 | S | 1/1999 | Tong | | | | |
| D420,064 | S | 2/2000 | Poirier et al. | | | | |
| D420,066 | S | 2/2000 | Nielsen | | | | |
| D453,361 | S | 2/2002 | Tsai | | | | |
| 6,439,952 | B1 | 8/2002 | Yamamura | | | | |
| D472,283 | S | 3/2003 | Akashi | | | | |
| 6,575,810 | B1 | 6/2003 | Sohn | | | | |
| D481,083 | S | 10/2003 | Bresciani et al. | | | | |
| 6,692,332 | B2 | 2/2004 | Jheow | | | | |
| D494,642 | S | 8/2004 | Bresciani et al. | | | | |

OTHER PUBLICATIONS

- "Mega Bloks Rescue Squad, First Builders," Mega Bloks item #6623, <URL: <https://web.archive.org/web/20130831045609/http://www.megabloks.com/en-us/shop/construction-toys/first-builders/rescue-squad-6623>>, 3 pages, published Aug. 31, 2013.
- "Mega Bloks Block Buddies, First Builders," Mega Bloks item #81215, <URL: <https://web.archive.org/web/20140808082347/http://www.megabloks.com/en-us/shop/construction-toys/first-builders/block-buddies-81215>>, 2 pages, published Aug. 8, 2014.
- "Mega Bloks Collection: Dora the Explorer," <URL: <https://web.archive.org/web/20141019205539/http://www.megabloks.com/en-ca/shop/construction-toys/dora-the-explorer>>, 3 pages, published Oct. 19, 2014.
- "Duplo Figure Bust Short with Striped Dungarees and Black Male Hair," Lego Part 2327cx1, first produced 1994 according to: <URL: <http://www.peeron.com/inv/parts/2327cx1>>, 2 pages.
- "Duplo Figure Bust Short with Suspenders, Yellow Freckle Nose, and Red Male Hair," Lego Part 2327cx3, first produced 1992 according to: <URL: <http://www.peeron.com/inv/parts/2327cx3>>, 2 pages.
- "Duplo Figure Bust Tall with Freckle Nose and Brown Ragged Male Hair," Lego Part x829cx12, first produced 1984 according to: <URL: <http://www.peeron.com/inv/parts/x829cx12>>, 3 pages.
- "Duplo Figure Bust Tall with Male Face (Thick Eyebrows) and Yellow Derby Hat," Lego Part x829cx23, first produced 1980 according to: <URL: <http://www.peeron.com/inv/parts/x829cx23>>, 3 pages.
- "Mega Bloks Block Buddies My Pony Stable Instructions," 2004, 6 pages.
- Mega Bloks First Builders School Bus Building Set (via Amazon), available Feb. 1, 2017, [online], [site visited Feb. 1, 2017]. Avail-

(56)

References Cited

OTHER PUBLICATIONS

able from internet, <URL: https://www.amazon.com/Mega-Bloks-Builders-School-Building/dp/B01CW6EL72/ref=pd_sim_21_3?_encoding=UTF8&pd_rd_i=B01CW6EL72&pd_rd_r=Q3W4BME1AB6XPVDJ7HJX&pd_rd_w=EIOMK&pd_rd_wg=urqUF&psc=1&refRID=Q3>.

Mega Bloks Pink Convertible Building Set (via Amazon), available Jan. 4, 2017, [online], [site visited Feb. 1, 2017]. Available from internet, <URL: https://www.amazon.com/Mega-Bloks-Pink-Convertible-Building/dp/B01CW6EL0E/ref=cm_cr_ar_p_d_pdt_img_top?ie=UTF8>.

Mega Bloks Dylan Dump Truck (via Amazon), available Jan. 17, 2013, [online], [site visited Feb. 1, 2017]. Available from Internet, <URL: https://www.amazon.com/Mega-Bloks-Dylan-Dump-Truck/dp/B006LEZ9EQ/ref=sr_1_1?s=toys-and-games&ie=UTF8&qid=1486358821&sr=1-1&keywords=dylan+dump+truck>.

Office Action dated Jun. 29, 2018 in Design U.S. Appl. No. 29/611,345.

Amazon, Lego Duplo Man, available Oct. 8, 2010, [online], [site visited May 17, 2018]. Available from Internet, <URL: <https://www.amazon.co.uk/Lego-Duplo-Baseball-Green-Shirt/dp/B0045RKIOW/>

[ref=sr_1_34?ie=UTF8&qid=1526578105&sr=8-34&keywords=legoville+duplo+figure](https://www.amazon.co.uk/Lego-Duplo-Baseball-Green-Shirt/dp/B0045RKIOW/?ref=sr_1_34?ie=UTF8&qid=1526578105&sr=8-34&keywords=legoville+duplo+figure)> (Year: 2010).

CPSC.gov, Fisher-Price Recalls Little People Play 'n Go Campsite Due to Choking Hazard, issued Aug. 5, 2010, [online], [site visited Jun. 21, 2018]. Available from Internet, <URL: <https://www.cpsc.gov/Recalls/2010/fisher-price-recalls-little-people-play-n-go-campsite-due-to-choking-hazard>> (Year: 2010).

Coroflot, Yo Gabba Gabba Construction Playset, posted Sep. 14, 2009, [online], [site visited May 17, 2018]. Available from Internet, <URL: <http://www.coroflot.com/stephanielemoine/Yo-Gabba-Gabba-Construction-Playsets>> (Year: 2009).

Toys, Transformers Afterburner, released 1987, [online], [site visited May 17, 2018]. Available from Internet, <URL: <http://toys.tfw2005.com/afterburner-5-4>> (Year 1987).

Amazon, Lego Duplo Boy, available Oct. 8, 2010, [online], [site visited May 17, 2018]. Available from Internet, <URL: https://www.amazon.co.uk/Lego-Duplo-Overall-Green-Bassball/dp/B0045RLODQ/ref=sr_1_33?ie=UTF8&qid=1526578105&sr=8-33&keywords=legoville+duplo+figure> (Year: 2010).

Amendment dated Sep. 24, 2018 in Design U.S. Appl. No. 29/611,345. Design U.S. Appl. No. 29/654,464, filed Jun. 25, 2018.

* cited by examiner

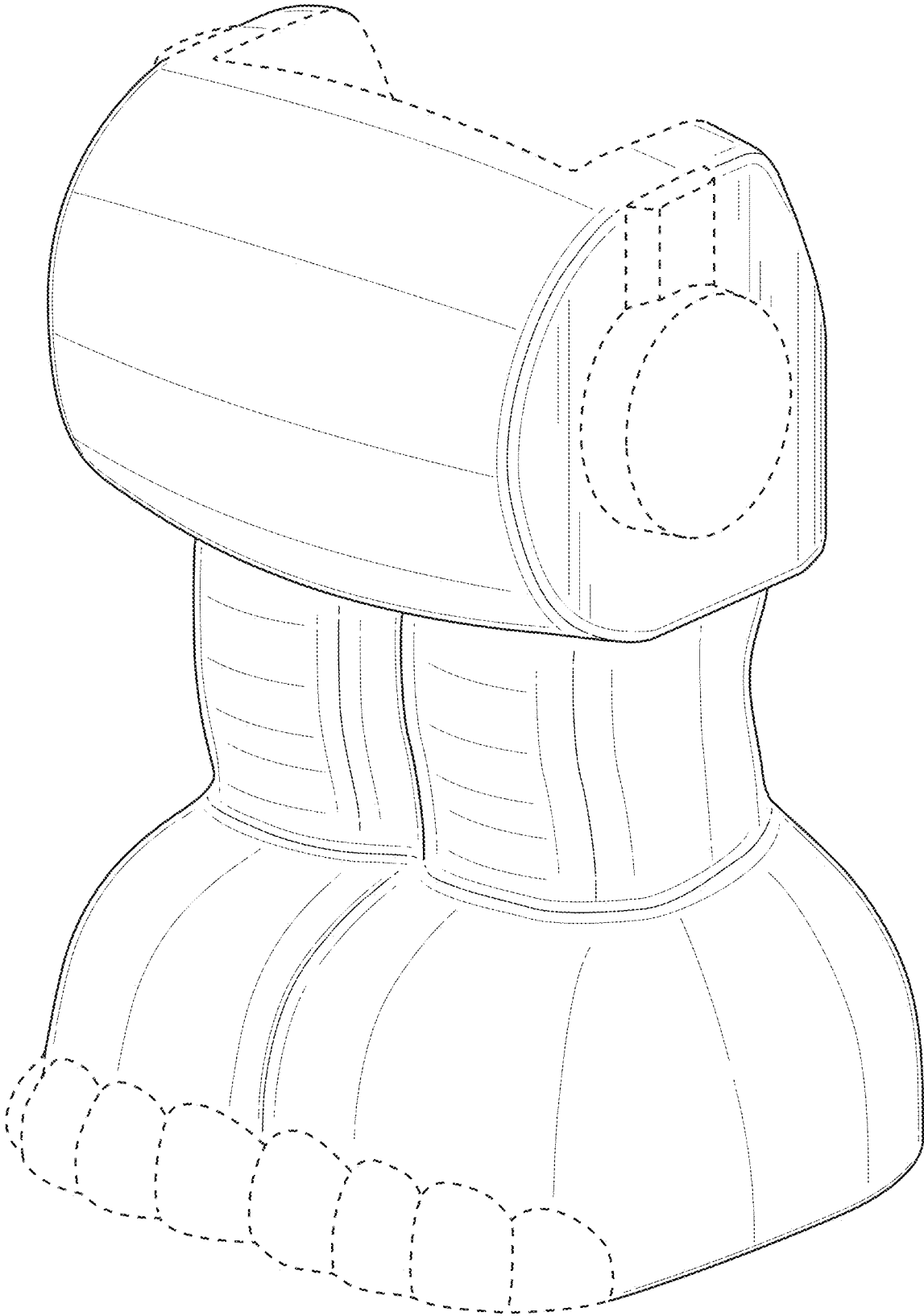


FIG. 1

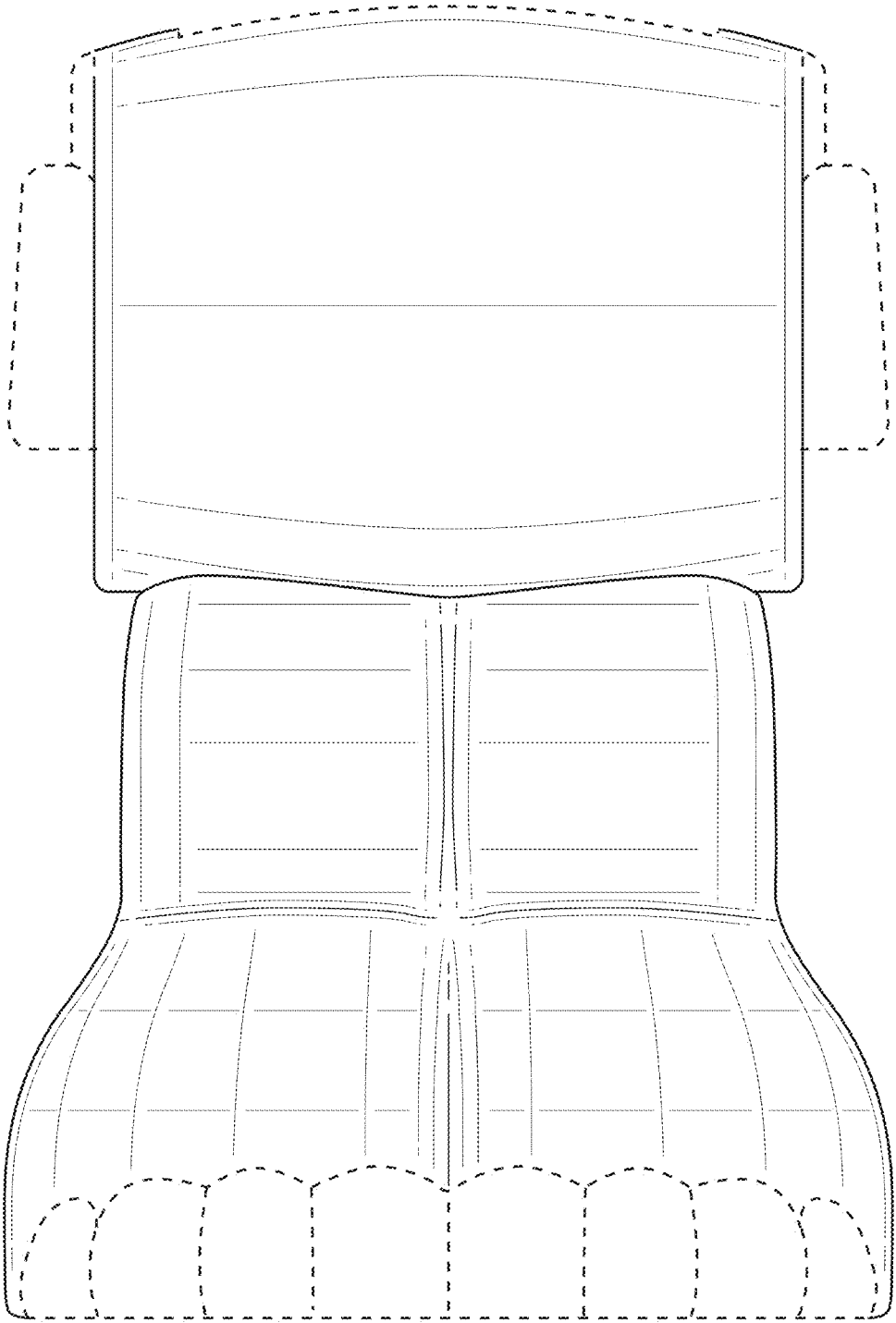


FIG. 2

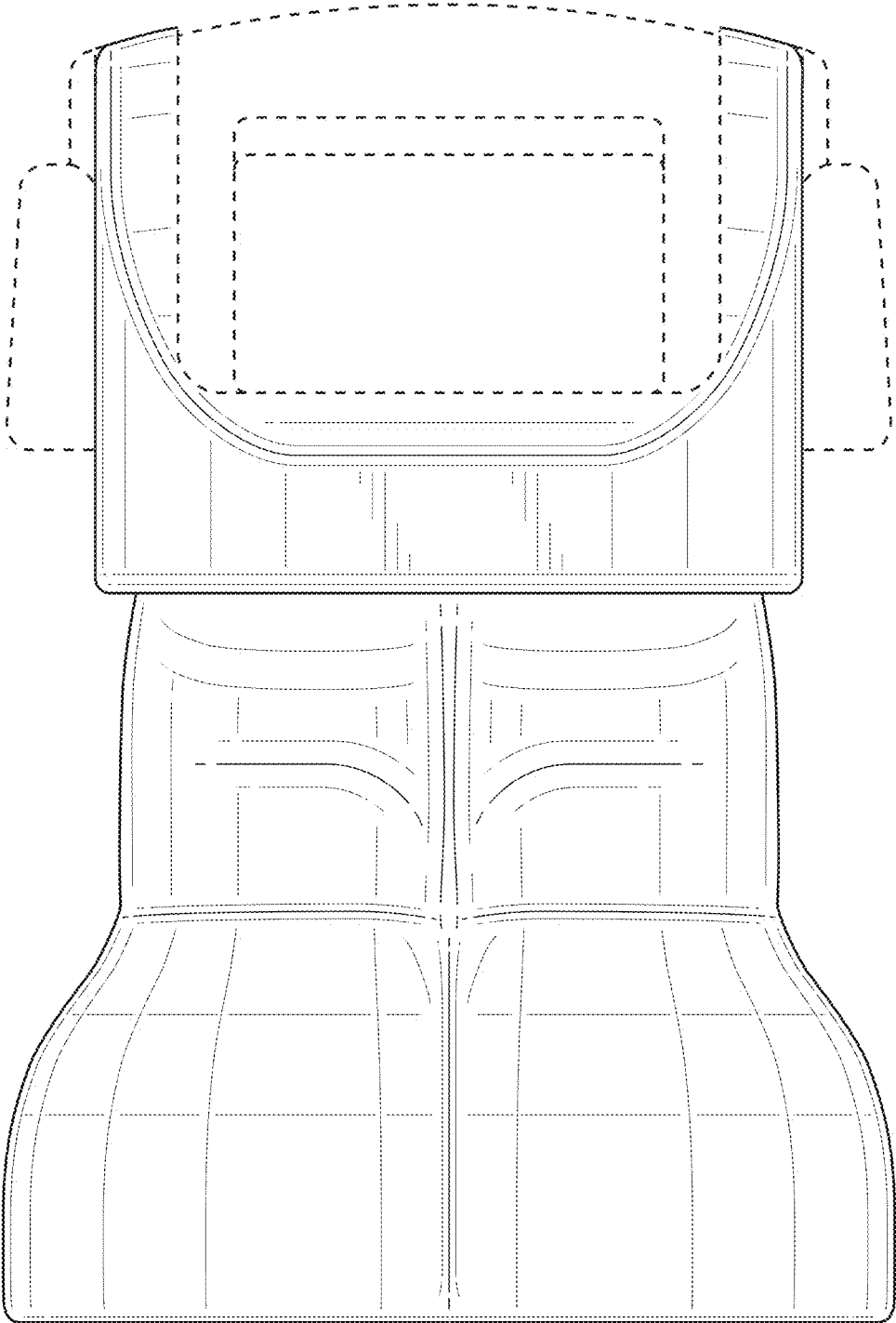


FIG. 3

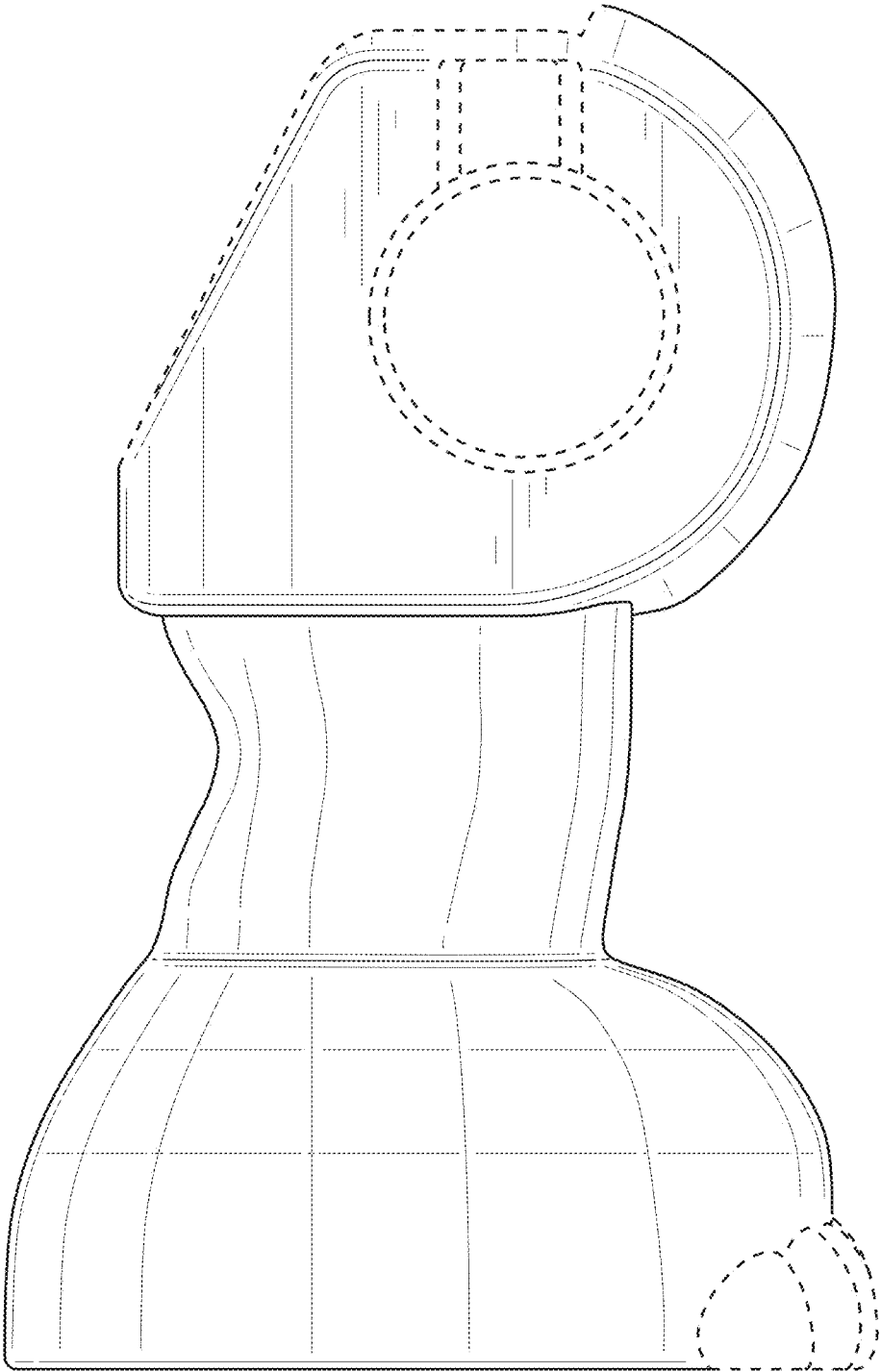


FIG. 4

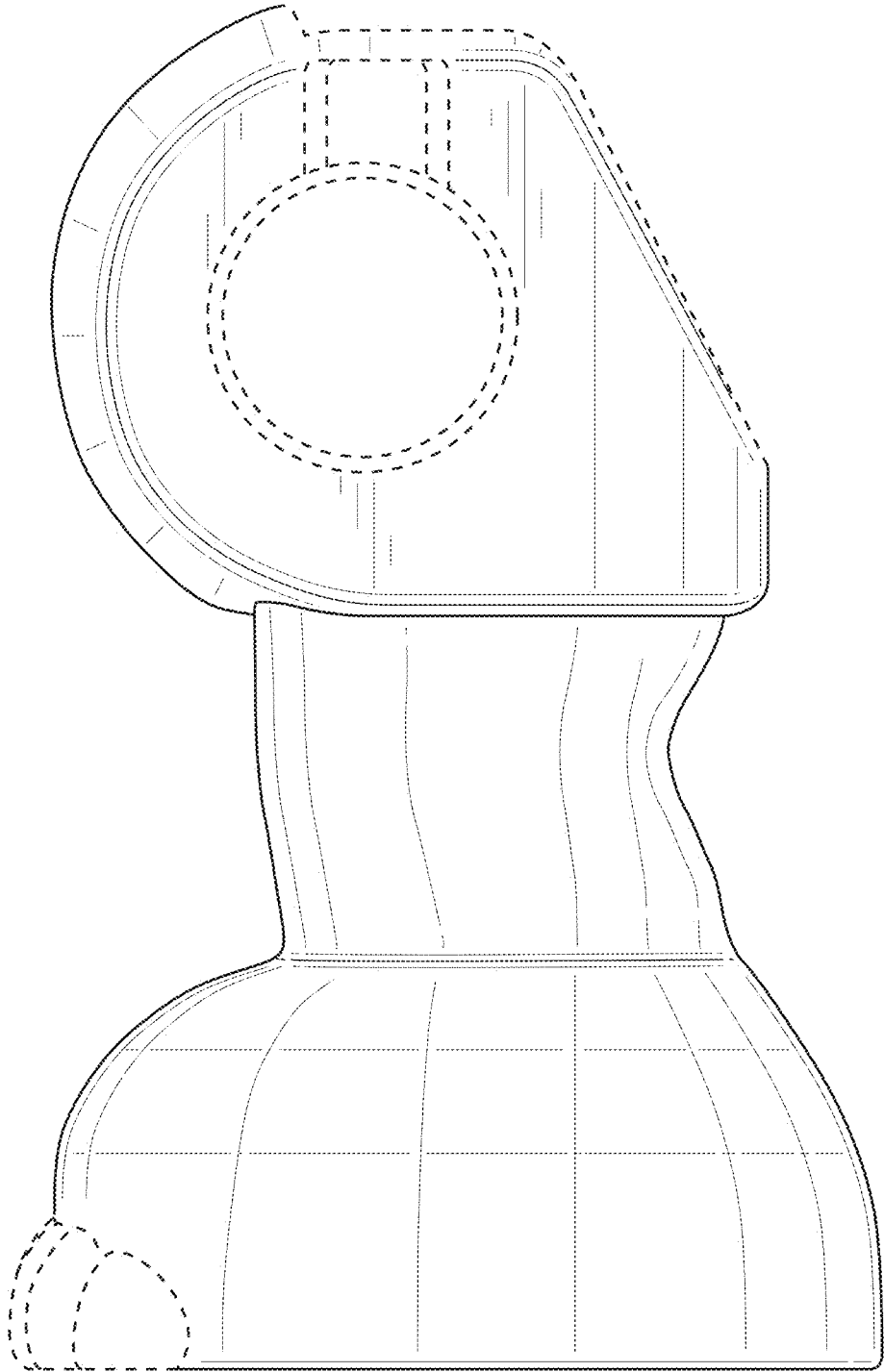


FIG. 5

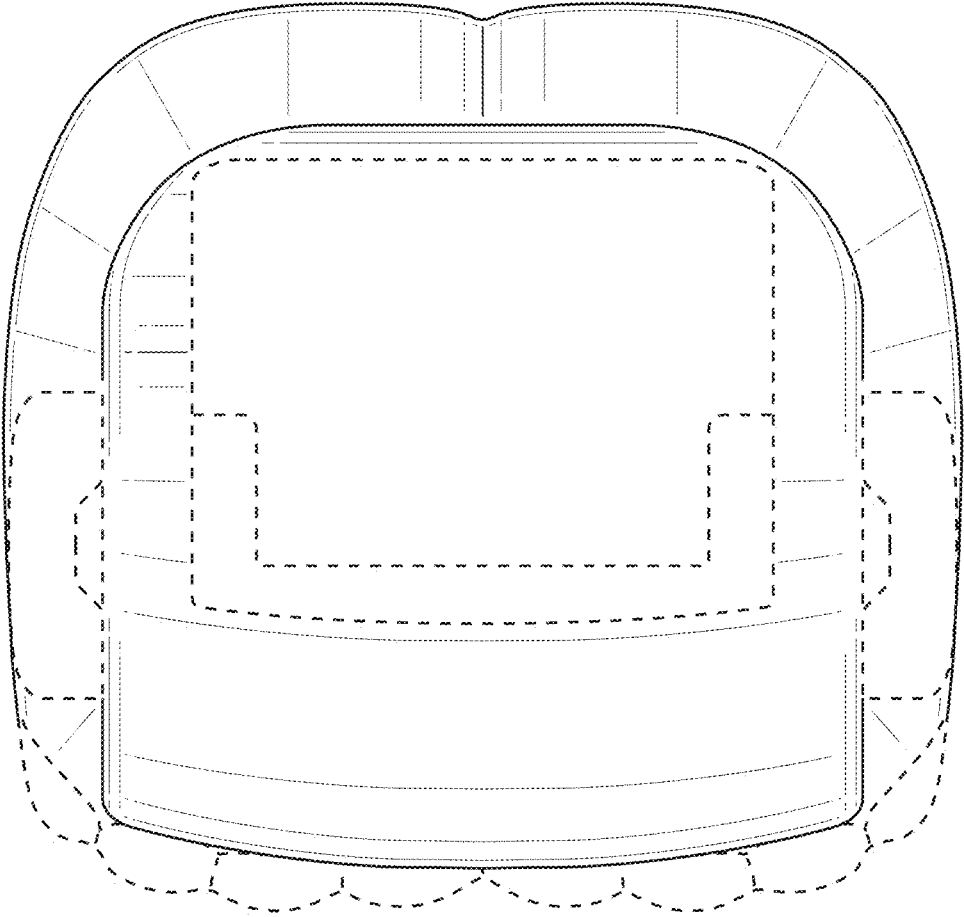


FIG. 6

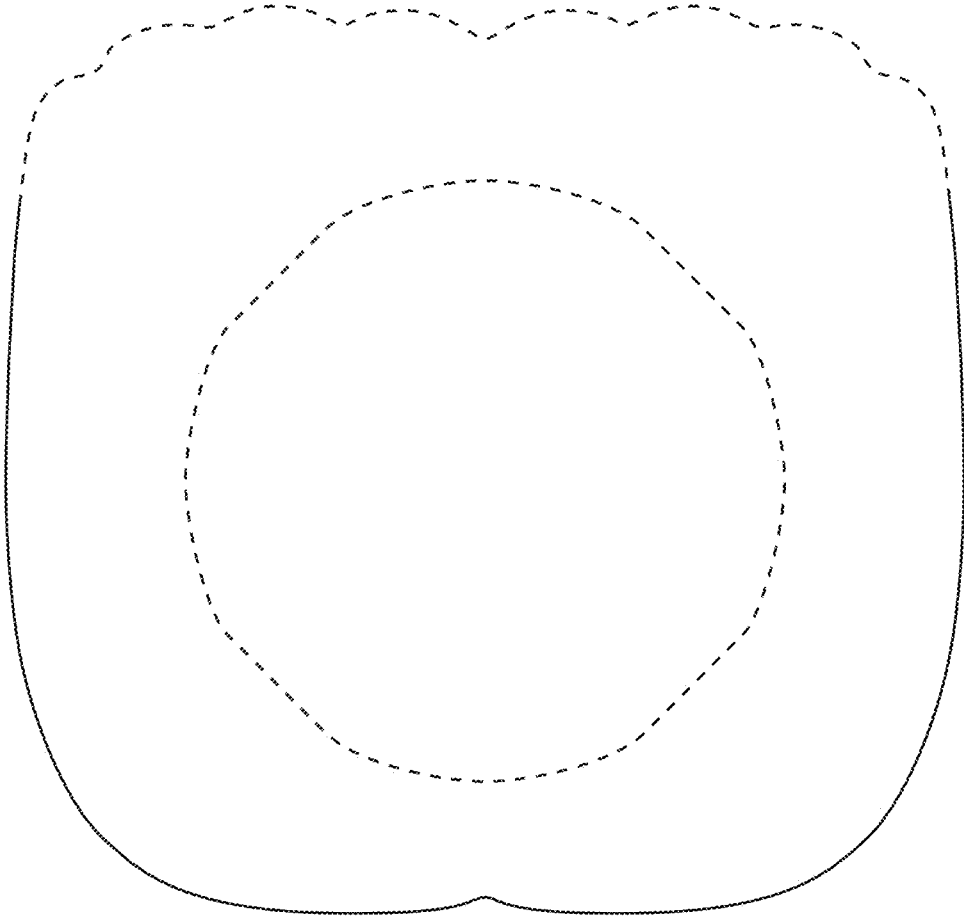


FIG. 7