

(21) Application No: 1405720.2
 (22) Date of Filing: 31.03.2014
 (30) Priority Data:
 (31) 61830915 (32) 04.06.2013 (33) US

(71) Applicant(s):
Nicoventures Holdings Limited
22 Tudor Street, LONDON, EC4Y 0AY, United Kingdom

(72) Inventor(s):
Steven Michael Schennum
Thomas Michael Mckean
Jeremy Aaron Abel

(74) Agent and/or Address for Service:
D Young & Co LLP
120 Holborn, LONDON, EC1N 2DY, United Kingdom

(51) INT CL:
A24F 15/20 (2006.01)

(56) Documents Cited:
GB 2275464 A **GB 0507955 A**
WO 2014/015463 A **WO 2014/005275 A**
WO 2013/189052 A **WO 2013/189050 A**
WO 2008/006048 A **CN 202122096 U**
US 6446793 B **US 4793478 B**
US 0353327 A
GB190930472

(58) Field of Search:
 INT CL **A24F**
 Other: **WPI, EPODOC**

(54) Title of the Invention: **Container**
 Abstract Title: **Container**

(57) This invention relates to a container for an elongate electronic nicotine delivery system or other flavoured vapour delivery system. The container has a rigid elongate body which defines a chamber including an end and an insert received in the end having first and ancillary openings that lead into the chamber. The insert includes a dividing wall to separate the first and ancillary openings in the insert so that an elongate electronic nicotine delivery system inserted into the chamber through the first opening protrudes therefrom and is supported in an upright position within the chamber by the insert. A lid is pivotally attached to the body so that it covers the first and ancillary openings in the insert in a closed position.

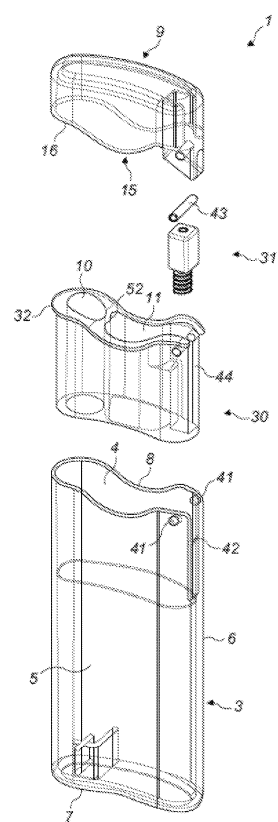


FIG. 9b

GB 2514893 A

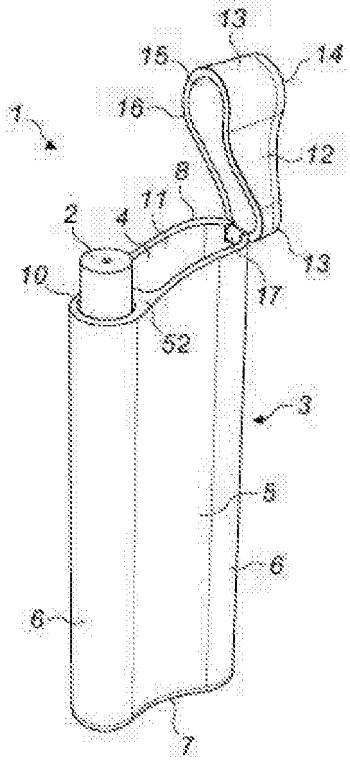


FIG. 1

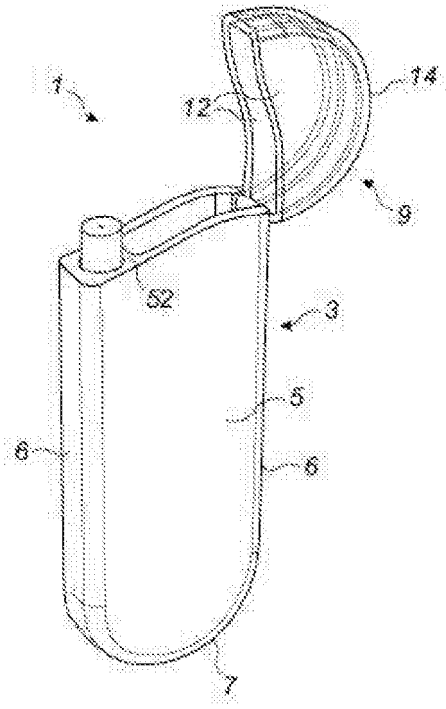


FIG. 2

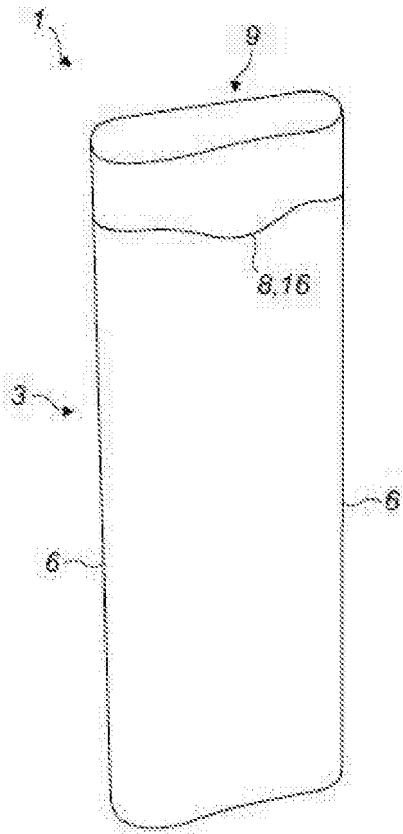


FIG. 3a

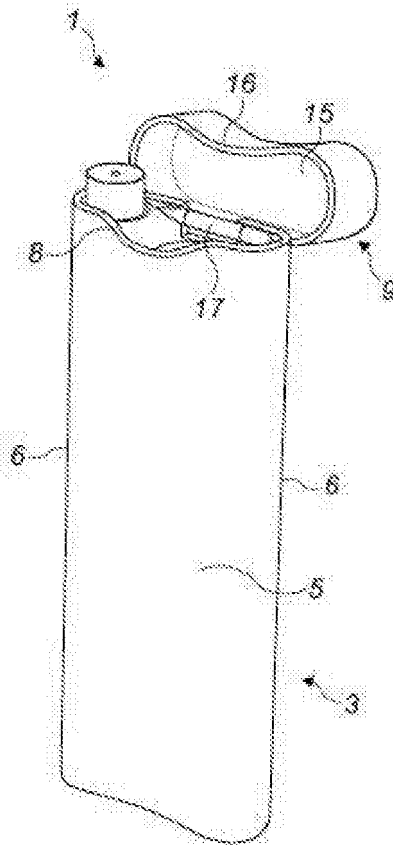


FIG. 3b

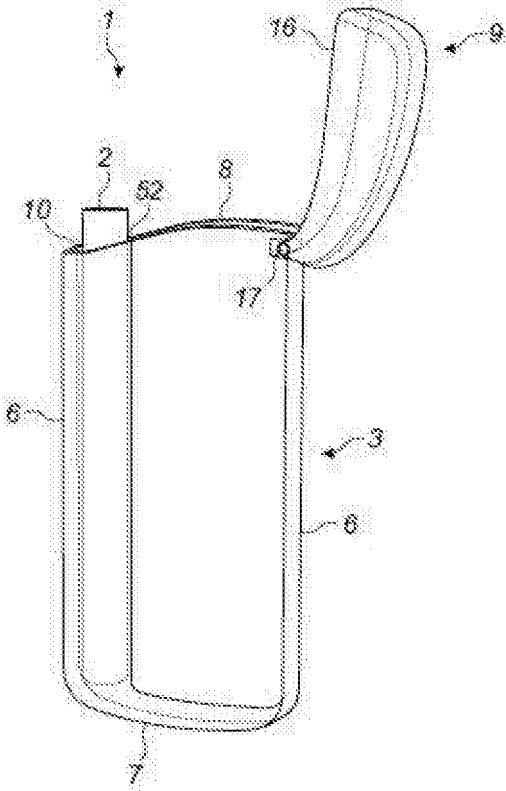


FIG. 4a

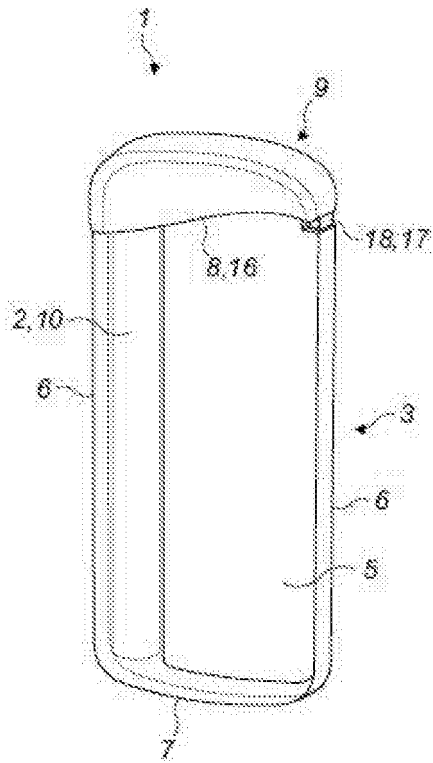


FIG. 4b

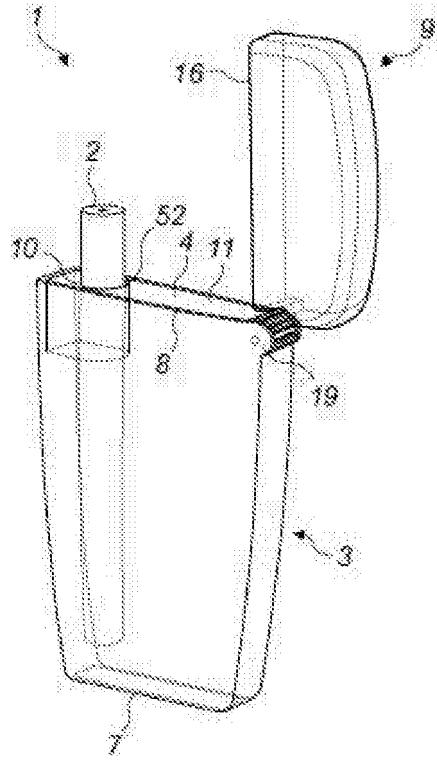


FIG. 5a

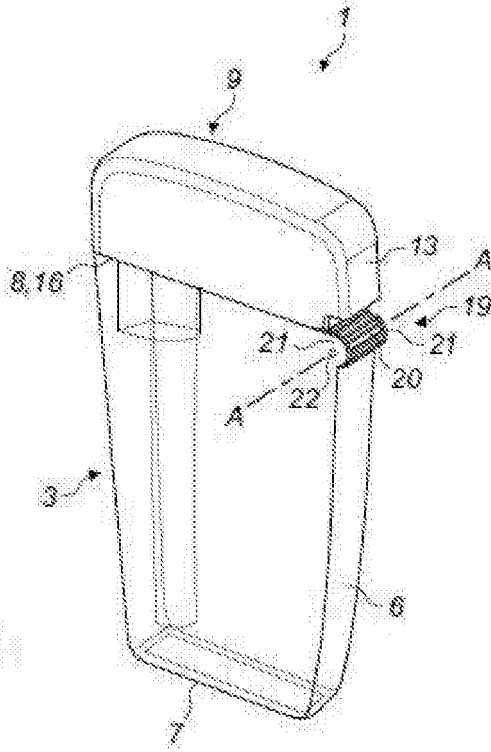


FIG. 5b

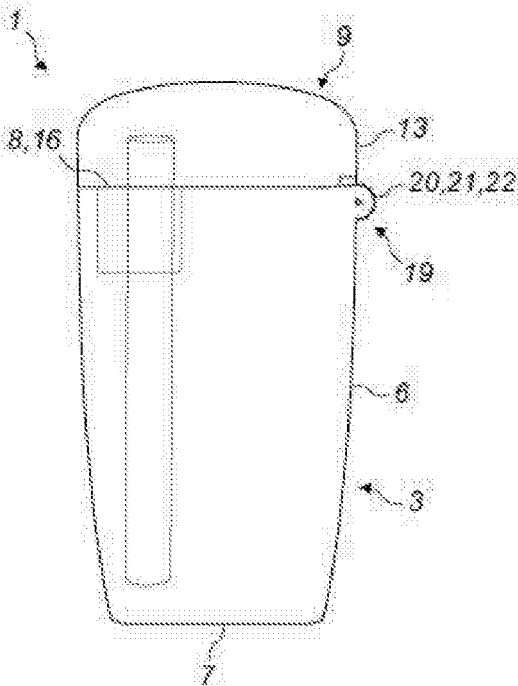


FIG. 5c

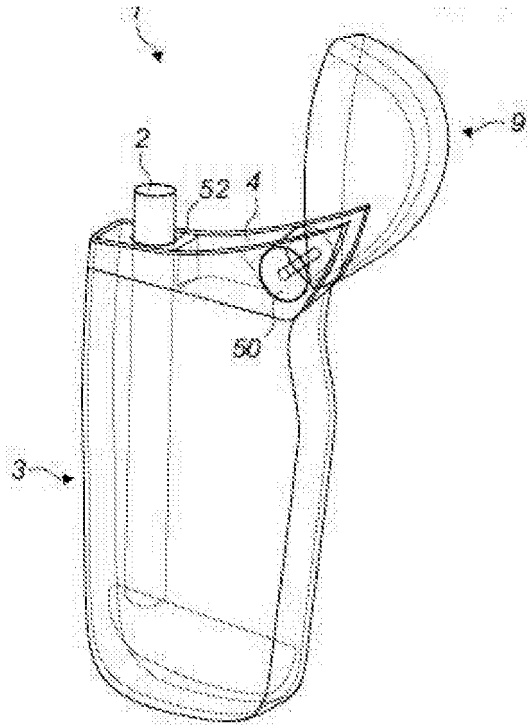


FIG. 6a

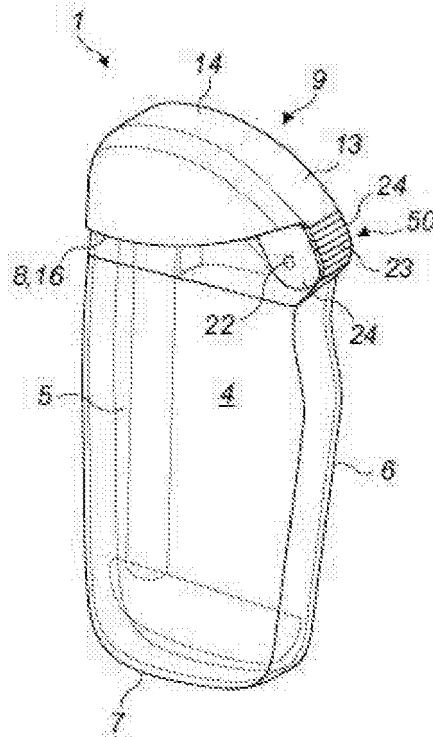


FIG. 6b

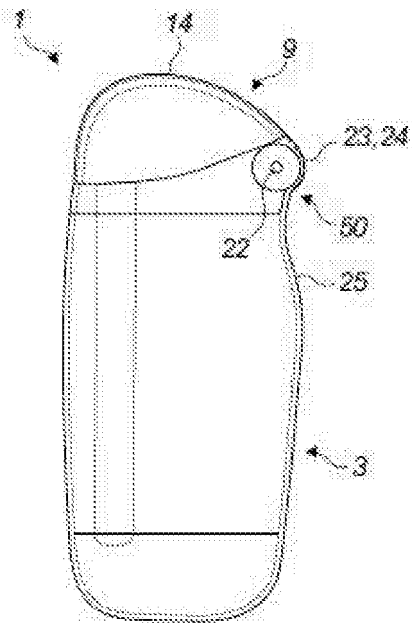


FIG. 6c

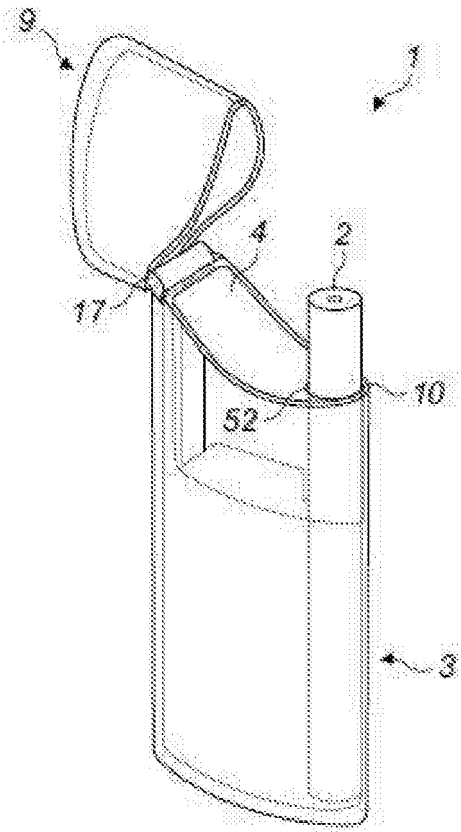


FIG. 7a

07/10

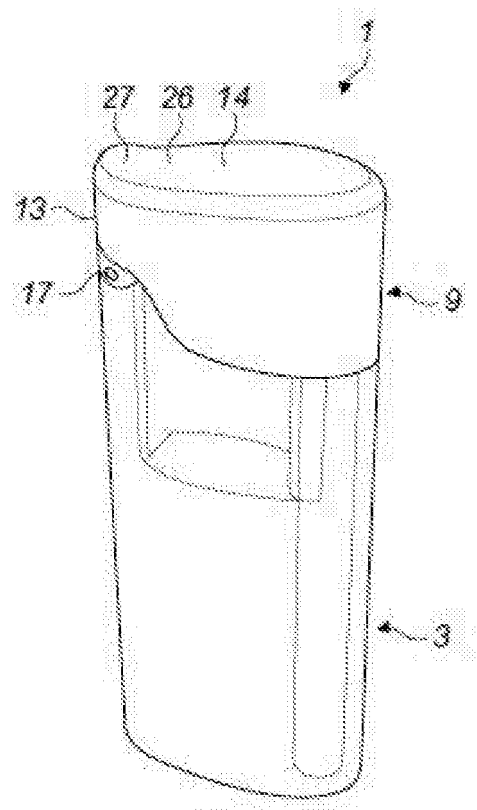


FIG. 7b

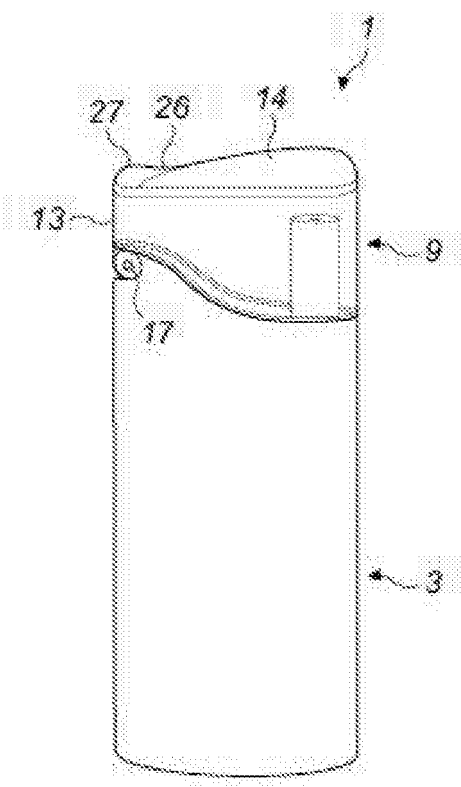


FIG. 7c

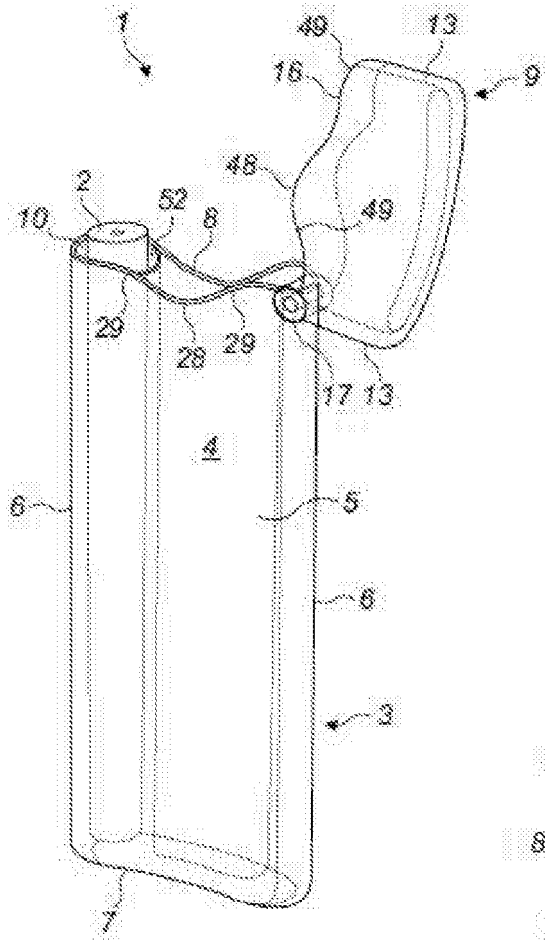


FIG. 8a

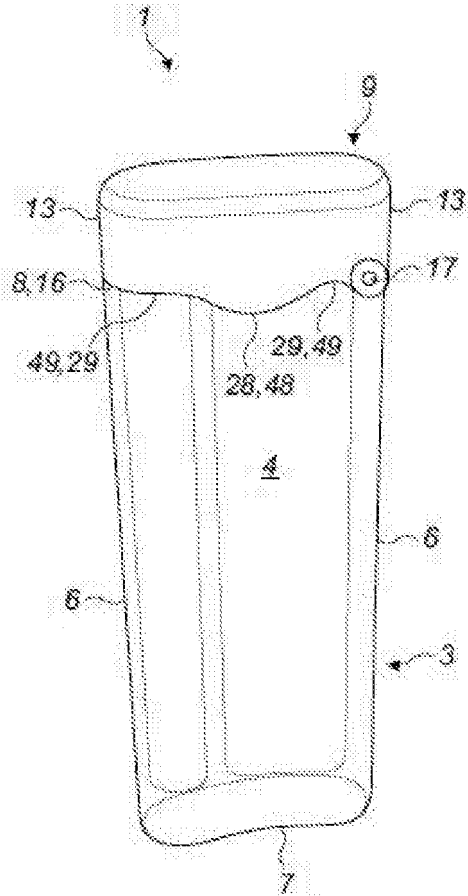


FIG. 8b

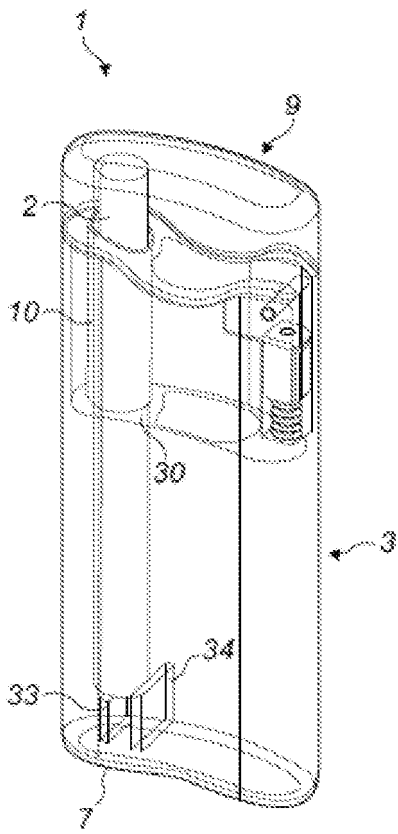


FIG. 9a

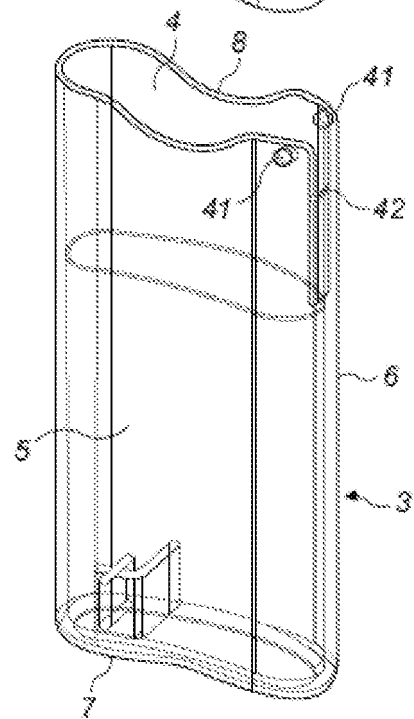
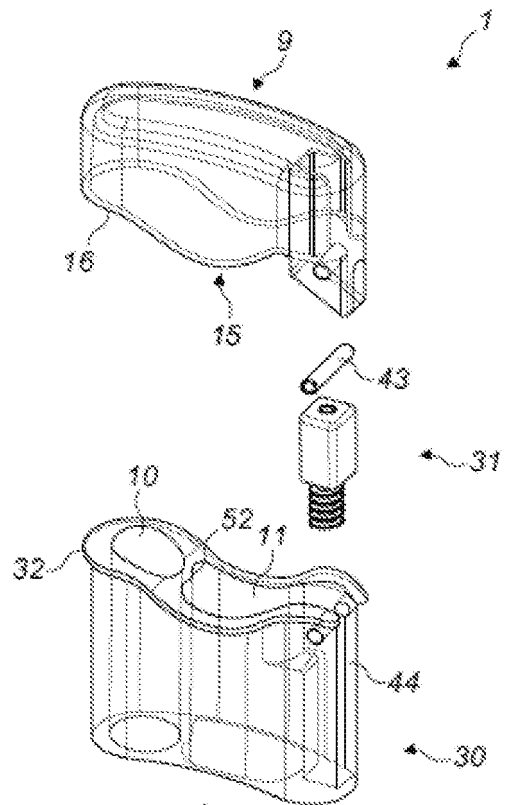


FIG. 9b

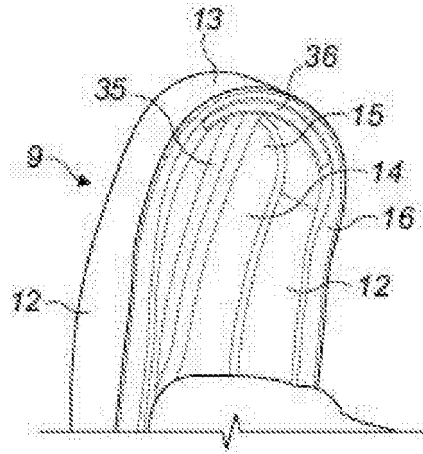


FIG. 10

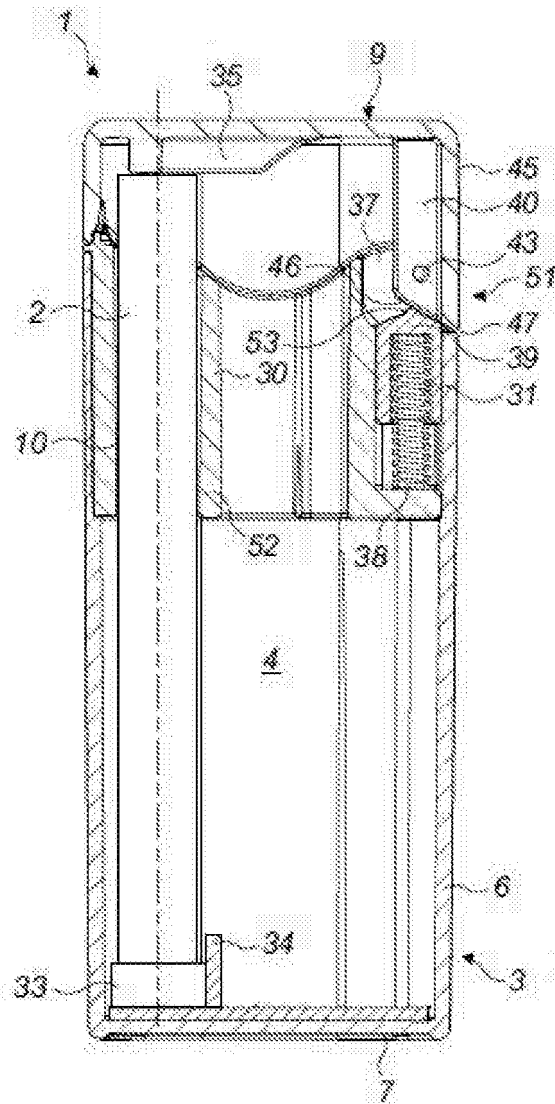


FIG. 11a

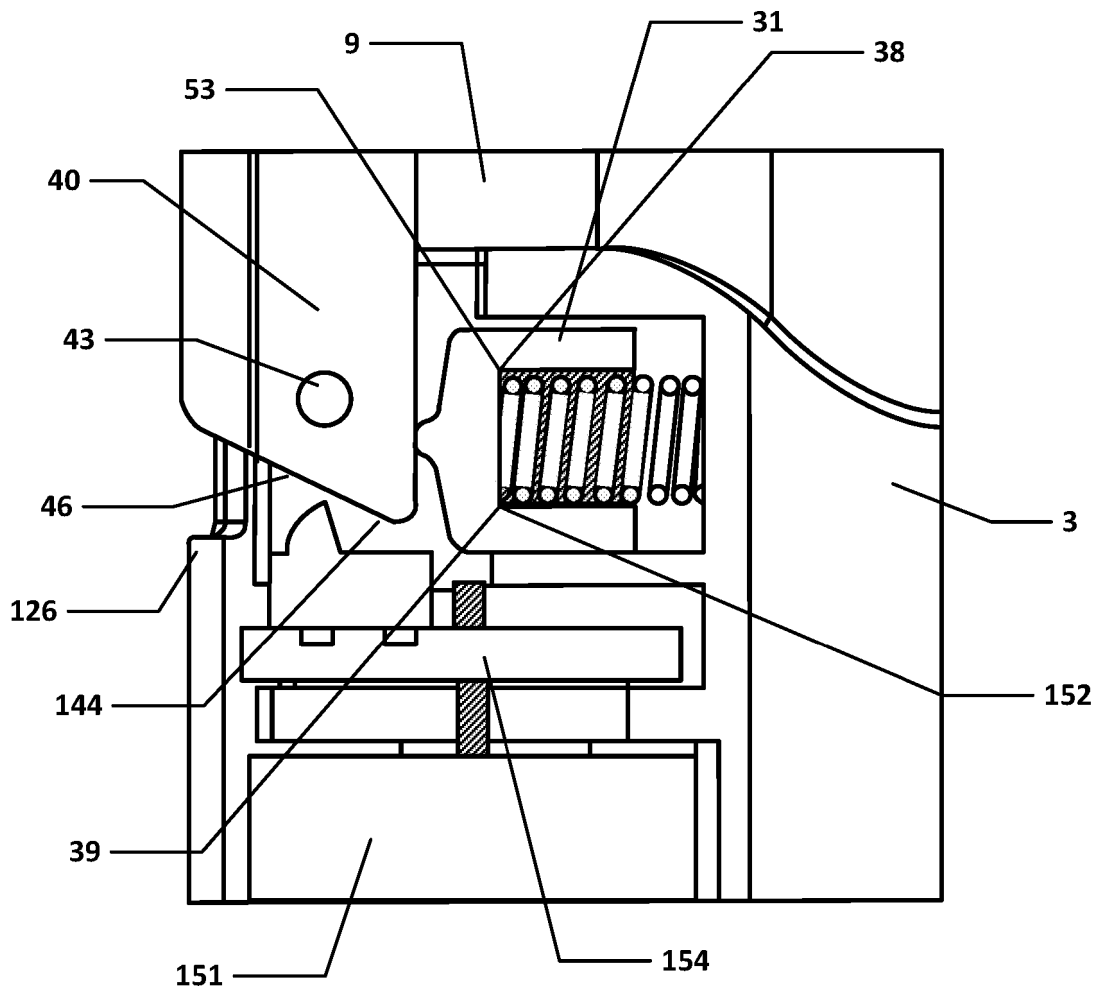


Figure 11c

02 09 14

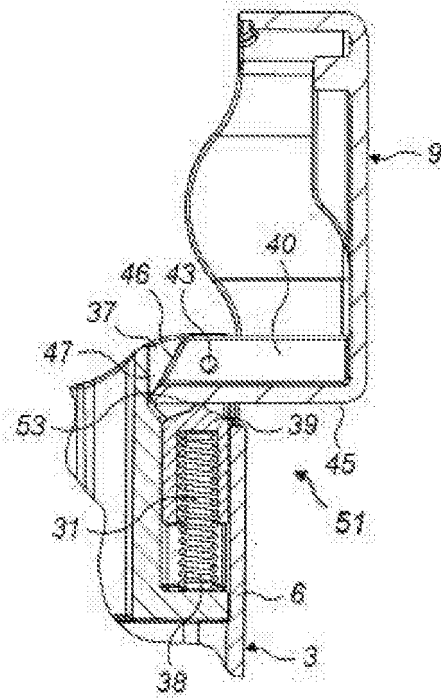


FIG. 11b

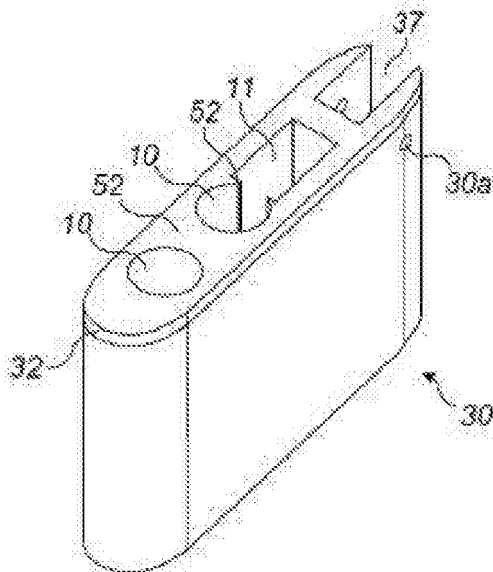


FIG. 12

Container

Technical Field

- 5 This invention is related to containers for electronic nicotine delivery systems or other flavoured vapour delivery systems, particularly but not exclusively to a container for an electronic cigarette.

Background

- 10 Electronic nicotine delivery systems may be used in situations where traditional smoking is prohibited or inconvenient. Such devices may function by allowing a user to inhale a nicotine vapour from a liquid store by applying a suction force to a mouthpiece. Electronic nicotine delivery systems include electronic cigarettes.

Summary

- 15 In accordance with embodiments of the invention, there is provided a container for an elongate electronic nicotine delivery system or other flavoured vapour delivery system, the container comprising a rigid elongate body defining a chamber including an end and an insert received in said end having a first opening and an ancillary opening that each lead into the chamber, the insert including a dividing wall to separate the first and ancillary openings in the insert so that an elongate
20 electronic nicotine delivery system inserted into the chamber through said first opening protrudes therefrom and is supported in an upright position within the chamber by said insert, a lid being pivotally attached to said body so that it covers said first and ancillary openings in the insert in a closed position.

- 25 The insert may be configured so that an elongate ancillary article inserted into the chamber through the ancillary opening protrudes therefrom and is supported in an upright position in the chamber by the insert. The ancillary article may, for example, comprise another electronic nicotine delivery system (or more generally another flavoured vapour delivery system), a conventional cigarette, a set of instructions, an additional cartridge containing fluid (e.g. nicotine) for the electronic nicotine
30 delivery system, or any other appropriate suitably shaped (elongate) object.

The insert may comprise a lip that protrudes in a direction away from the chamber and which cooperates with the lid when the lid is closed.

- 35 In accordance with embodiments of the invention, there is also provided a container for an electronic nicotine delivery system or other flavoured vapour delivery system comprising a body defining a chamber having opposing side walls separated by end walls at a peripheral edge of each side wall, a

lid to cover an open end of the chamber in a closed position, and a pin extending between the side walls that attaches the lid to the body for rotation about the longitudinal axis of the pin between open and closed positions, wherein the pin is also positioned so that it lies between the end walls.

- 5 The hinge may be configured so that the longitudinal axis of the pin extends substantially at right-angles to a direction in which an electronic nicotine delivery system is inserted into the chamber when the lid is in its open position.

10 The hinge may comprise a hinge member that extends from said lid into said chamber between opposing side walls of the body, said pin extending through said hinge member and side walls of the body.

15 The container may have an insert received in said open end of the container, the insert having a first opening and an ancillary opening that each lead into the chamber, the insert including a dividing wall to separate the first and ancillary openings in the insert so that an elongate electronic nicotine delivery system inserted into the chamber through said first opening protrudes therefrom and is supported in an upright position within the chamber by said insert.

20 The insert may include a lip that sits against an upper end of the side and end walls so that the lid contacts said lip in a closed position and covers said first and ancillary openings.

In a preferred embodiment, the container further comprises a cam member which is biased into contact with the hinge member by a resilient member so that the lid is pivotable towards its open position against the biasing force of the resilient member.

25

The pin that extends through said hinge member and side walls of the body may also pass through the insert to retain said insert in the body.

30 In accordance with embodiments of the invention, there is also provided a container for an electronic nicotine delivery system or other flavoured vapour delivery system comprising a body and a lid pivotally attached thereto, the lid and the body each having a pair of opposing side walls separated by opposing end walls to define a chamber to receive an electronic nicotine delivery system, wherein said opposing side walls of said body and said lid are arcuate in shape.

35 The opposing side walls may be longer than said opposing end walls, such that said container has a generally elongated arcuate shape.

The arcuate opposing side walls may have equal radius and be arranged such that the side walls are equispaced from each other.

5 The container may be for an elongate electronic nicotine delivery system and the body of the container is a rigid elongate body which defines the chamber including an end and an insert received in said end having a first opening and an ancillary opening that each lead into the chamber, the insert including a dividing wall to separate the first and ancillary openings in the insert so that an elongate electronic nicotine delivery system inserted into the chamber through said first opening protrudes therefrom and is supported in an upright position within the chamber by said insert, the lid being
10 pivotable so that it covers said first and ancillary openings in the insert in a closed position.

The container may further comprise a pin that attaches the lid to the body for rotation about the longitudinal axis of the pin that extends between the opposing side walls, wherein the pin is also positioned so that it lies between the opposing end walls.

15 In accordance with embodiments of the invention, there is also provided a container for an electronic nicotine delivery system or other flavoured vapour delivery system comprising a body defining a chamber having an end with an opening therein for insertion of an electronic nicotine delivery system through said opening into the chamber, wherein said end of the body is shaped so as to define a recess and said opening is formed in said recess in the end of the body.

The recess may be located centrally on the end of the chamber.

25 The recess may be curved.

In accordance with embodiments of the invention, there is also provided a container for an electronic nicotine delivery system or other flavoured vapour delivery system comprising a body defining a chamber having an end with an opening therein for insertion of an electronic nicotine delivery system through said opening into the chamber, and a lid having a side wall with an edge, the lid being
30 pivotally attached to the body so that said edge contacts said end of the body when the lid is in a closed position, wherein the edge has an outwardly protruding region which extends towards the body when the lid is in a closed position.

35 The end of the body may be shaped so as to define a recess and said opening is formed in the recess in the end of the body, and wherein the protrusion of the lid is shaped to match the recess in the end of the body so that the lid extends into said recess in a closed position.

The container may be for an elongate electronic nicotine delivery system and the body of the container is a rigid elongate body and an insert is received in said end of the chamber, said insert having a first opening and an ancillary opening that each lead into the chamber, the insert including a dividing wall to separate the first and ancillary openings in the insert so that an elongate electronic nicotine delivery system inserted into the chamber through said first opening protrudes therefrom and is supported in an upright position within the chamber by said insert, the lid being pivotally attached to said body so that it covers said first and ancillary openings in the insert in a closed position.

The body may comprise opposing side walls separated by end walls at a peripheral edge of each side wall and a pin that attaches the lid to the body for rotation about the longitudinal axis of the pin that extends between the opposing side walls, wherein the pin is also positioned so that it lies between the end walls.

The container lid and the body may each have a pair of opposing side walls separated by opposing end walls, wherein said opposing side walls of said body and said lid are arcuate in shape.

In accordance with embodiments of the invention, there is also provided a container for an elongate electronic nicotine delivery system or other flavoured vapour delivery system, the container comprising a rigid elongate body defining a chamber including an end having an opening so that an elongate electronic nicotine delivery system inserted into the chamber through said opening is supported in an upright position within the chamber, a lid pivotally attached to said body to cover said opening in a closed position, and an over-centre biasing mechanism configured to bias the lid toward a closed position until the lid has been pivoted into an intermediate position, beyond which the lid is biased towards an open position.

The over-centre biasing mechanism may comprise a cam member and a cooperating cam element on the lid, the cam member being biased into contact with the cam element by a resilient member so that the lid pivots against the biasing force of the resilient member.

The cam element of the lid may comprise first and second surfaces disposed at an angle to each other such that said cam member acts against the first surface to bias the lid towards a closed position and, after the lid is pivoted into an intermediate position, the cam member acts against the second surface to bias the lid towards an open position.

The cam member may comprise a protrusion on a surface of said cam member that contacts said cam element of said lid, said protrusion configured to interact with an edge between the first and second surfaces of the cam element to generate an audible sound as the edge moves over said protrusion

during rotation of said lid.

The container may comprise an insert received in the end of the chamber .

- 5 The insert may comprise a first opening and an ancillary opening that each lead into the chamber and a dividing wall to separate the first and ancillary openings in the insert so that an elongate electronic nicotine delivery system inserted into the chamber through said first opening protrudes therefrom and is supported in an upright position within the chamber by said insert.
- 10 The body may comprise opposing side walls separated by end walls at a peripheral edge of each side wall and a pin that attaches the lid to the body for rotation about the longitudinal axis of the pin that extends between the opposing side walls, wherein the pin is also positioned so that it lies between the end walls.
- 15 The lid and the body may each have a pair of opposing side walls separated by opposing end walls to define a chamber to receive an electronic nicotine delivery system, wherein said opposing side walls of said body and said lid are arcuate in shape.

The end of the chamber may be shaped so as to define a recess and said opening may be formed in
20 said recess in the end of the body.

The lid may have a side wall with an edge which contacts the end of the body when the lid is in a closed position, and wherein the edge has an outwardly protruding region which extends towards the body when the lid is in a closed position.

25 The container may further comprise a switch for detecting whether the lid is in an open or closed position. The switch may be mechanically operated by movement of the lid for detecting whether the lid is in an open or closed position. The container may include electronic and/or electrical functionality which is controlled in accordance with the open or closed position of the lid as detected
30 by the switch.

In accordance with embodiments of the invention, there is also provided a container for an electronic nicotine delivery system or other flavoured vapour delivery system, said container comprising an elongate body defining a chamber therein having an end, said end comprising first and second
35 openings, wherein each of said first and second openings are configured to separately support an elongate electronic nicotine delivery system inserted through each of said first and second openings an upright position in the chamber.

Each of said first and second openings may be tubular.

5 An insert may be received in said end of the chamber and said first and second openings are formed in the insert.

The insert may include a dividing wall separating the first and second openings.

10 The insert may further comprise an ancillary opening to receive an ancillary article or articles in addition to said first and second openings.

The ancillary opening may merge with at least one of the first and second openings.

15 The container may further comprise a lid being pivotally attached to said body so that it covers said first and second openings in a closed position, wherein said lid comprises a hinge member that extends from the lid into a hinge recess formed in the insert and a pin extends through a part of the body and the hinge member to pivotally mount the lid to the body about a longitudinal axis of the pin.

20 The hinge recess may be disposed on one side of the body and at least one of said first and second openings is disposed on an opposite side of the body to the hinge recess.

The ancillary opening may be disposed between the hinge recess and at least one of the first and second openings.

25 The ancillary opening may be disposed between the hinge recess and both of the first and second openings.

30 The lid may comprise a rib that extends from a surface of the lid and is arranged to retain an electronic nicotine delivery system received in the first or second opening when the lid is closed.

The container may further comprise an over-centre biasing mechanism configured to bias the lid toward a closed position until the lid has been pivoted into an intermediate position, beyond which the lid is biased towards an open position.

35 The body may comprise opposing side walls separated by end walls at a peripheral edge of each side wall and the pin that attaches the lid to the body for rotation about extends between the opposing side walls, wherein the pin is also positioned so that it lies between the end walls.

The lid and the body may each comprise a pair of opposing side walls separated by opposing end walls to define a chamber to receive an electronic nicotine delivery system, wherein said opposing side walls of said body and said lid are arcuate in shape.

5

The end of the chamber may be shaped so as to define a recess and at least one of said first and second openings is formed in said recess in the end of the body.

10 The lid may have a side wall with an edge which contacts the end of the body when the lid is in a closed position, and wherein the edge has an outwardly protruding region which extends towards the body when the lid is in a closed position.

The lid may comprise a thumb wheel which is coaxial with an axis of rotation of the lid, said thumb wheel being disposed such that a user is able to contact said thumb wheel to rotate the lid.

15

The thumb wheel may be substantially cylindrical having an outer face having a groove which a user can contact to rotate said thumb wheel.

20 The body may comprise a curved region, disposed below the thumb wheel, where the side wall of the body is curved inwards.

A top wall of the lid may comprise a lip such that a user is able to push on the lip to rotate the lid into an open position.

25 The container may comprise a polycarbonate material.

The polycarbonate material may be at least partly transparent.

30 An electronic nicotine delivery system or other flavoured vapour delivery system may be received in the chamber through said opening.

The electronic nicotine delivery system may be an electronic cigarette.

35 The containers disclosed herein may be used not just for holding an electronic nicotine delivery system such as an electronic cigarette, but also any other type of flavoured vapour delivery system (electronic or otherwise; nicotine or otherwise).

Brief Description of the Drawings

Embodiments of the invention will now be described, by way of example only, with reference to the accompanying drawings, in which:

- Figure 1 shows an example of a container for an electronic cigarette;
- 5 Figure 2 shows another example of a container for an electronic cigarette;
- Figure 3a shows a further example of a container for an electronic cigarette with the lid closed;
- Figure 3b show the example container of Figure 3a, with the lid open;
- Figure 4a shows another example of a container for an electronic cigarette, with the lid open;
- Figure 4b shows the example container of Figure 4a, with the lid closed;
- 10 Figure 5a shows another example of a container for an electronic cigarette, with the lid in an open position;
- Figure 5b shows the example container of Figure 5a, with the lid in a closed position;
- Figure 5c shows a side view of the example container of Figures 5a and 5b, with the lid in a closed position;
- 15 Figure 6a shows yet another example of a container for an electronic cigarette, with the lid open;
- Figure 6b shows the example container of Figure 6a, with the lid in a closed position;
- Figure 6c shows a side view of the example container of Figures 6a and 6b, with the lid in a closed position;
- Figure 7a shows a further example of a container for an electronic cigarette, with the lid in an open
- 20 position;
- Figure 7b shows the example container of Figure 7a, with the lid in a closed position;
- Figure 7c shows a side view of the example container of Figures 7a and 7b, with the lid in a closed position;
- Figure 8a shows another example of a container for an electronic cigarette, with the lid in an open
- 25 position;
- Figure 8b shows the example container of Figure 8b, with the lid in a closed position;
- Figure 9a shows another example of a container for an electronic cigarette;
- Figure 9b shows an exploded assembly drawing of the example container of Figure 9a;
- Figure 10 shows the inside of the lid of the container of Figures 9a and 9b;
- 30 Figure 11a shows a cross-section of the container of Figures 9a to 10, with the lid in a closed position;
- Figure 11b shows a partial cross-section of the container of Figures 9a to 11a, with the lid in an open position;
- Figure 11c shows a partial cross-section of another example of a container for an electronic cigarette, with the lid in a closed position; and
- 35 Figure 12 shows an example of an alternative insert.

Detailed Description

Figure 1 shows an example of a container 1 for holding an electronic nicotine delivery system, such as an electronic cigarette 2, or other flavoured vapour delivery system. The container 1 has an elongate rigid body 3 with an internal chamber 4 defined within side walls 5 and end walls 6 which are joined in a tubular manner, with a base wall 7 that closes one end of the elongate tubular body 3. At an opposite end of the elongate body 3 to the closed base wall 7 the body 3 has an open end 8 to provide access to the chamber 4. The container 1 also has a lid 9 which is hingedly attached to the body 3 so that the lid 9 can be closed to cover the open end 8, or opened to expose the open end 8 and provide access to the chamber 4. In this example, the open end 8 has a first opening 10 and an ancillary opening 11 which lead into the chamber 4 within the body 3. The first opening 10 is for receiving an electronic cigarette 2 and the ancillary opening 11 is for an ancillary article or articles (not shown), which may, for example, be another electronic cigarette and/or an information leaflet.

The container described with reference to Figure 1 has a generally rectangular tubular body 3 consisting of two side walls 5 and two end walls 6 and the lid 9 is formed in a similar manner. However, it will be appreciated that other shapes of container can also be used. For example, the container may have a generally triangular tubular shape, or be formed of two curved side walls with a space between them. Therefore, the invention is not limited to only rectangular tubular containers and applies to all forms. For convenience, the examples of containers described herein have a rectangular tubular construction, as described with reference to Figure 1.

A supporting wall 52 extends across the chamber 4 within the body 3 to divide the chamber 4 into the first opening 10 and the ancillary opening 11. The supporting wall 52 may extend at least partially into the chamber 4 from the open end 8 towards the base wall 7 so that the first opening 10 is formed in a region of the chamber 4 extending from the open end 8 at least partially into the chamber 4, with the remaining space between the first opening 10 and the base wall 7 being open so that an electronic cigarette can be received in the first opening 10 and at least partially supported. Alternatively, the supporting wall 52 may not extend from the open end 8. In this case, the supporting wall 52 and the first opening 10 may be disposed within the chamber 4 between the open end 8 and the base wall 7. Alternatively, the supporting wall 52 and therefore the first opening 10 may extend for the length of the chamber 4, from the open end 8 to the base wall 7.

In this example, the first opening 10 has a circular shape such that it can receive an elongate cylindrical electronic cigarette 2. The diameter of the first opening 10 is slightly larger than the diameter of the electronic cigarette 2 so that the electronic cigarette 2 can be inserted into and removed from the first opening 10 which will support the electronic cigarette 2 and limit movement within the opening. However, it will be appreciated that the first opening 10 may have a non-circular cross-section, for supporting other shapes of electronic nicotine delivery systems.

In the example shown in Figure 1, the ancillary opening 11 comprises the remainder of the chamber 4 within the body 3 that is not occupied by the first opening 10. The ancillary opening 11 is provided for ancillary articles, for example an information leaflet or a refill part for the electronic cigarette 2.

5 The ancillary opening 11 extends from the open end 8 into the chamber 4 and may extend partially towards the base wall 7 to a wall (not shown) which is provided in the body 3 and forms the bottom of the ancillary opening 11. Alternatively, the ancillary opening 11 may extend the length of the chamber 4 so that the base wall 7 defines the bottom of the ancillary opening 11. The ancillary opening 11 and first opening 10 are at least partially separated by the supporting wall 52, but the wall
10 52 may not extend the length of the chamber 4 so the openings 10,11 may not be entirely separated. However, the separating wall 52 will separate and support an electronic cigarette and an ancillary article received in the chamber.

The lid 9 of the container 1 shown in Figure 1 comprises two side walls 12 and two end walls 13
15 formed in a tubular manner, similar to the body 3. The lid 9 has a top wall 14 such that a second chamber 15 is defined within the lid 9, which has an open face 16 that abuts against the open end 8 of the body 3 when the lid 9 is in a closed position. The exterior shape of the lid 9 matches that of the body 3 of the container 1 so that the lid 9 is flush with the body 3 and the container has a constant and smooth exterior surface when the lid is closed.

20 As shown in Figure 1, the closed base wall 7 of the body 3 and the top wall 14 of the lid 9 may be flat such that the ends of the container 1 are flat. Alternatively, as shown in Figure 2, the closed end wall 7 of the body 3 and the top wall 14 of the lid 9 may be curved so that the container 1 has rounded ends. It will be appreciated that the shape of the closed base wall 7 of the body 3 and the top wall 14 of
25 the lid 9 may be any shape that is convenient for a user to hold or use the container. As shown in Figure 1, the side faces 5 of the body 3 and the side faces 12 of the lid 9 may be non-planar, such that the container 1 has curved sides, which may make the container 1 more comfortable for a user to hold or use.

30 For example, as shown in Figure 1, the opposing side walls 5 of the body may have an arcuate shape, such that the container has a generally concave appearance on one side and generally convex on the other. As shown in Figure 1, the opposing side walls 5 may each have an arcuate shape with the same radius and arranged in the same direction such that the side walls 5 are equispaced from each other. The end walls 6 join the side walls 5 to form the tubular body 3 and the end walls 6 may be rounded,
35 as shown in Figure 1. The shape of the lid 9 may be similar to the shape of the body 3. The curved shape of the container may be advantageous when the container 1 is placed in the pocket of a user as the shape has no sharp edges and the shape of the container is comfortable against the leg or other part

of the user. The arcuate shape of the container also makes it comfortable and easy to hold while opening and closing the lid.

Alternatively, as shown in Figure 2, the side walls 5 of the body 3 and the side walls 12 of the lid 9
5 may be planar such that the container has flat sides.

The lid 9 of the container 1 of Figure 1 is hingedly mounted to the body 3 so that it closes the open
end 8 of the chamber 4 and encloses the first opening 10 and the ancillary opening 11. As shown in
Figure 1, the lid 9 is mounted on a hinge 17 which is located on the open end 8 of the body 3. The
10 hinge 17 may be disposed on an end wall 6 of the body 3, as shown in Figure 1, or it may be disposed
on a side wall 5 of the body, as shown in Figures 3a and 3b. The open face 16 of the lid 9 is shaped to
match the open end 8 of the body 3 so that, when the lid is closed the lid 9 is flush with the body 3
and there is no gap between them, giving the exterior of the container 1 a constant and smooth
exterior shape, as shown in Figure 3a.

15
Figures 1 and 3b show that the second chamber 15 within the lid 9 extends from the open face 16 into
the lid 9 so that the second chamber 15 forms an extension of the chamber 4 of the body 3 when the
lid 9 is in a closed position. Therefore, an electronic cigarette 2 or ancillary article received in the
chamber 4 will be able to protrude past the open end 8 of the body 3 into the second chamber 15
20 within the lid 9 when the lid 9 is closed.

The hinge 17 which pivotally joins the body 3 and the lid 9 may comprise a pin which extends
through a part of the body 3 and a part of the lid 9. For example, a part of the body 3 and a part of the
lid 9 may comprise holes through which the pin extends. The lid 9 may comprise a lug that extends
25 into the chamber 4 so that it is disposed between the side faces 5 or end faces 6 of the body 3, the lug
and the faces of the body 3 having holes for a pin which pivotally mounts the lid 9 to the body 3. The
hinge 17 may further include a biasing member, such as a torsion spring, that acts to bias the lid into a
closed position. Alternatively, the hinge 17 may not have a torsion spring and the lid may be freely
rotatable.

30
As shown in Figure 1, the first opening 10 of the body 3 supports the electronic cigarette 2 in an
upright position such that an end portion of the electronic cigarette 2 protrudes from the first opening
10 above the open end 8 of the chamber 4. That is, the first opening 10 in the chamber 4 is not as long
as the electronic cigarette 2. In this way, when the lid 9 is open a user can easily grasp the protruding
35 end of the electronic cigarette 2 to remove the electronic cigarette from the container 1. When the lid
9 is in the closed position, the protruding portion of the electronic cigarette 2 will be disposed in the
second chamber 15 within the lid 9 and will not obstruct the opening and closing movement of the lid

9.

Also, as shown in Figure 1, the open end 8 of the body 3 and the open face 16 of the lid 9 may be shaped such that the hinge 17 and the first opening 10 are at different levels, with the open end 8 in the region of the first opening 10 being disposed at a lower level, closer to the base wall 7 of the body 3, than the open end 8 in the region of the hinge 17. Therefore, the amount of the electronic cigarette 2 that protrudes from the main body 3 can be increased to further ease insertion and removal of the electronic cigarette 2 without obstructing the movement of the lid 9.

10 The open end 8 of the body 3 and the open face 16 of the lid 9 may have a non-planar, curved profile, as shown in the example of Figure 1. Alternatively, the open end 8 of the body 3 and the open face 16 of the lid 9 may be planar and angled downwards such that the open end 8 is lower, and closer to the base wall 7, in the region of the first opening 10 than in the region of the hinge 17.

15 Alternatively, as shown in Figures 3a and 3b, the open end 8 of the body 3 and the open face 16 of the lid 9 may be shaped such that in the region of the first opening 10 and in the region of the hinge 17 the open end 8 is at the same level and therefore equidistant to the base wall 7. In this case, the open end 8 of the body may be shaped such that it is at a lower level in the vicinity of the ancillary opening 11. That is, the open end 8 comprises a curved recess and the open end 8 is closer to the base wall 7 in the region of the recess. In this example, the recess is disposed in the vicinity of the ancillary opening 11 so that removal and insertion of ancillary articles is made easier.

Alternatively, the open end 8 of the body 3 and the open face 16 of the lid 9 may have a recess disposed such that the open end 8 in the region of both the end of the first opening 10 and the end of the ancillary opening 11 is at a lower level and closer to the base wall 7 than the hinge 17. In this way, insertion and removal of articles to and from the first opening 10 and the ancillary opening 11 is made easier. As shown in Figures 3a and 3b, the lid 9 extends into the recess in the open end 8 so that the lid 9 closes the open end 8 of the chamber. In this example, the recess has a curved shape, although it will be appreciated that the recess may have any shape.

30

In the example shown in Figure 1, the first opening 10 for receiving an electronic cigarette 2 is positioned at an opposite side of the chamber 4 to the hinge 17. That is, the hinge 17 is located on an edge of one end wall 6 and the first opening 10 is located adjacent to the opposite end wall 6 of the body 3. The positions of the first opening 10 and the ancillary opening 11 within the chamber 4 are determined by the position of the supporting wall 52 that extends at least partially through the chamber 4. This means that when the lid 9 is in an open position an electronic cigarette 2 in the first opening 10 is spaced from the lid 9 and therefore easier for a user to grasp and remove. In this

35

example, the ancillary opening 11 is formed in the part of the chamber 4 between the first opening 10 and the end wall 6 to which the hinge 17 is mounted.

It will be appreciated that the first opening 10 and ancillary opening 11 within the chamber 4 may be arranged differently to that described with reference to Figure 1. For example, the supporting wall 52 may be disposed such that the first opening 10 is located centrally within the chamber 4 with the ancillary opening 11 being divided into two parts disposed on either side of the first opening 10. Alternatively, the first opening 10 may be formed against the end wall 6 to which the hinge 17 is attached, with the ancillary opening 11 occupying the remainder of the chamber 4.

The body 3 and lid 9 of the example containers shown in Figures 1, 2, 3a and 3b each have a substantially tubular construction. The body 3 has two side walls 5 and two end walls 6 which form a tubular shape with the chamber 4 formed within the tubular body 3. In the example shown in Figure 1, the side walls 5 are longer than the end walls 6 such that the tubular body 3 and lid 9 have a generally rectangular cross-section. The base wall 7 closes one end of the chamber 4 so that the open end 8 provides the only access to the chamber 4. The edges between the side walls 5 and the end walls 6 may be rounded, as shown in Figure 1, alternatively, they may be square.

Figures 4a and 4b show another example of a container 1 for an electronic cigarette 2 having a rigid tubular body 3 and a lid 9 similar to those described with reference to Figure 1. In these examples, the open face 16 of the lid 9 and the open end 8 of the body 3 have a curved shape. Specifically, the open face 16 of the lid 9 and the open end 8 of the body 3 have an inflexed curve shape, with the open end 8 of the body 3 in the region of the end wall 6 to which the hinge 17 is attached being at a higher level, further from the base wall 7, than the open end 8 in the region of the first opening 10 formed by the supporting wall 52. In this way, an electronic cigarette 2 received in the first opening 10 will protrude from the end of the first opening 10, above the open end 8 of the body 3, so that a user can easily grasp the end of the electronic cigarette 2 for removal and insertion when the lid 9 is open. Furthermore, the rotation of the lid is not impeded by the protruding electronic cigarette 2.

As shown in Figure 4b, the hinge 17 which provides the pivot connection between the lid 9 and the body 3 is formed of a lug 18 that extends from the lid 9. The lug 18 extends towards the base wall 7 in a direction along the end wall 6 of the body 3, which has a cut-out to receive the lug 18. The opposing side faces 5 of the body 3 comprise coaxial holes in the vicinity of the cut-out and the lug 18 also comprises a hole such that a pin can extend through the holes in the side walls 5 of the body 3 and the lug 18 to pivotally mount the lid 9 to the body 3.

The size of the cut-out in the end wall 6 of the body 3 and the lug 18 can be selected so that the lid 9

has a fixed maximum opening angle. For example, as shown in Figure 4a, the lid 9 may open to a maximum of 100 degrees from the closed position, which provides sufficient access to the first and ancillary openings 10,11 of the chamber 4 through the open end 8 of the body 3. However, it will be appreciated that a greater or smaller maximum opening angle may be created by altering the size of the cut-out and lug 18. At the maximum opening angle a part of the lug 18 will abut against an edge of the cut-out in the body 3 to prevent further rotation of the lid 9.

Figures 5a to 5c show another example of a container 1 for an electronic cigarette 2. The container 1 of this example has a body 3 and lid 9 which are similar to the examples described with reference to Figure 1. In particular, the body 3 comprises a chamber 4 which includes a supporting wall 52 to divide the chamber 4 into a first opening 10 for receiving and supporting an electronic cigarette 2 and an ancillary opening 11 for an ancillary article. As shown in Figures 5a to 5c, the open face 16 of the lid 9 and the open end 8 of the body 3 are planar and parallel to the base wall 7.

In this example, a hinge 19 is formed between one end wall 6 of the body 3 and one end wall 13 of the lid 9 to pivotally attach the lid 9 to the body 3. As shown in Figures 5b and 5c, the hinge 19 includes a thumb wheel 20 which extends from the lid 9 and two spaced parallel flanges 21 that extend from the body 3. The thumb wheel 20 and the parallel flanges 21 extend from the side of the container 1 in line with the open end 8 of the body 3 when the lid 9 is closed, as shown in Figure 5c. The thumb wheel 20 has a substantially cylindrical shape and is disposed such that a longitudinal axis of the thumb wheel 20 is coaxial with the rotational axis A-A (see Figure 5b) of the lid 9. The spaced parallel flanges 21 extend from the body 3 in the same location as the thumb wheel 20 extending from the lid 9, such that the thumb wheel 20 is disposed between the spaced parallel flanges 21. Each of the spaced parallel flanges 21 and the thumb wheel 20 comprise holes that are coaxially aligned such that a pin 22 can extend through the holes to pivotally mount the lid 9 to the body 3 about an axis A-A that is co-axial to the cylindrical thumb wheel 20.

As shown in Figure 5c, the thumb wheel 20 of the lid 9 protrudes from the side of the container 1 in line with the open end 8 of the body 3 when the lid 9 is in a closed position, such that the outer circumferential face of the cylindrical thumb wheel 20 can be contacted by a user of the container 1. In this example, as shown in Figure 5b, the outer circumferential face of the thumb wheel 20 is provided with a plurality of grooves. These grooves provide a user with sufficient grip to rotate the thumb wheel 20 relative to the parallel flanges 21 and thereby rotate the lid 9 into an open position. The thumb wheel 20 may also have a greater diameter than the parallel flanges 21 so that the thumb wheel 20 is easier for a user to contact and rotate.

In particular, the arrangement of the thumb wheel 20 and mounting flanges 21 allows a user to hold

the container 1 in one hand and contact and rotate the thumb wheel 20 with a finger or thumb of the same hand, so that the container 1 can be held and opened using a single hand. Alternatively, the user may use two hands to rotate the thumb wheel 20 or may grip another part of the lid 9 to rotate the lid 9 into an open position.

5

The thumb wheel 20 and the spaced parallel flanges 21 in the body 3 may be arranged to define the maximum opening angle of the lid 9. For example, the thumb wheel 20 and spaced parallel flanges may be arranged such that they contact at a rotational angle of 100 degrees from the closed position and prevent further rotation.

10

The thumb wheel 20 described with reference to Figures 5a to 5c may be formed of a solid cylindrical protrusion. Alternatively, the thumb wheel 20 may be formed of two spaced parallel circular flanges. The thumb wheel 20 may be provided with grooves or any kind of surface pattern that allows a user to grip the thumb wheel 20 for rotation, for example knurling.

15

Figures 6a, 6b and 6c show another example of a container 1 for an electronic cigarette 2. This example container 1 has a body 3 and a lid 9 similar to those described with reference to Figure 1. In particular, the container has a rigid tubular body 3 with a chamber 4 that has a supporting wall 52 that divides the chamber 4 into a first opening for supporting an electronic cigarette 2 in an upright position and an ancillary opening 11 to receive ancillary articles.

20

In this example, as shown in Figure 6b, a hinge 50 is formed between the body 3 and the lid 9. The hinge 50 is formed of a thumb wheel 23 that extends from the lid 9 and two hinge mounting portions 24 that are formed in the side walls 5 of the body 3. The end wall 6 of the body 3 is provided with a cut-out in the vicinity of the thumb wheel 23 so that the thumb wheel 23 can be received between the hinge mounting portions 24 of the side walls 5, within the chamber 4. The thumb wheel 23 is substantially cylindrical and the mounting portions 24 and thumb wheel 23 all comprise holes that are coaxial with each other such that a pin 22 can extend through the holes and the chamber 4 in the region between the hinge mounting portions 24 to pivotally mount the lid 9 to the body 3. In this example the pin 22 is positioned between the end walls 6 of the body 3 so that the hinge 50 is formed within the exterior outline of the container and no part protrudes from a side of the container.

25

30

An outer surface of the thumb wheel 23 is provided with a plurality of grooves that allow a user to grip and rotate the thumb wheel 23 and thereby open the lid 9. In particular, the arrangement of the thumb wheel 23 and hinge mounting portions 24 allows a user to hold the container 1 in one hand and contact and rotate the thumb wheel 23 with a finger or thumb of the same hand, so that the container can be held and opened using a single hand. Alternatively, the user may use two hands to rotate the

35

thumb wheel 23 or may grip another part of the lid 9 to rotate the lid 9 into an open position.

The thumb wheel 23 described with reference to Figures 6a to 6c may be formed of a solid cylindrical protrusion. Alternatively, the thumb wheel 23 may be formed of two spaced parallel circular flanges that extend from the side walls of the lid 9. The thumb wheel 23 may be provided with grooves or any kind of surface pattern that allows a user to grip the thumb wheel 23 for rotation, for example knurling.

Furthermore, the top wall 14 of the lid 9 of the container described with reference to Figures 6a to 6c may be tapered and curved towards the thumb wheel 23, as shown in Figure 6c, such that a user is able to easily move their finger or thumb across the top wall 14 of the lid 9 and contact the thumb wheel 23 to open the lid 9.

To aid the rotational movement of the thumb wheel 23 by a user, the end wall 6 of the body 3 of the container 1 to which the hinge 50 is mounted may have a curved region 25 disposed beneath the thumb wheel 23, as shown in Figure 6c. This provides more space for the user's finger to move into as the thumb wheel 23 and lid 9 are rotated into the open position and makes the lid opening action easier to perform. This curved region 25 may also make the container 1 more comfortable for a user to hold.

The thumb wheel 23, cut-out and hinge mounting portions 24 in the body 3 may be arranged to define a maximum opening angle of the lid 9. For example, the thumb wheel 23 and body 3 may interact such that the thumb wheel 23 contacts a part of the body 3 after a rotation of 100 degrees from the closed position, thereby defining the maximum opening position of the lid 9. However, it will be appreciated that other opening angles may be more appropriate, for example, 90 degrees, 110 degrees or other angles.

Figures 7a to 7c show another example of a container 1 for an electronic cigarette 2. This example has a body 3 and a pivotally mounted lid 9 with a hinge 17 similar to the container described with reference to Figure 1. The body 3 has a chamber 4 with a supporting wall 52 that divides the chamber 4 into a first opening 10 for supporting an electronic cigarette 2 in an upright position and an ancillary opening 11 for an ancillary article.

In this example, as shown in Figures 7b and 7c, the top wall 14 of the lid 9 comprises a depression 26 which is located towards the hinge 17 end of the lid 9. The depression 26 forms a lip 27 which is disposed in the top wall 14 of the lid 9, towards the end wall 13 to which the hinge 17 is mounted. This lip 27 protrudes from the top wall 14 of the lid 9 and has a rounded point. When opening the lid

9, a user is able to grip the lid 9 by pushing on the lip 27 so that the lid 9 is rotated about the hinge 17 and the container 1 is opened. Therefore, a user is able to open the lid 9 by pushing on the lip 27 with a thumb or finger while holding the container. Advantageously, a user is able to hold the container 1 and open the lid 9 with one hand.

5

The shape of the depression 26 and the lip 27 allow a user to easily contact, grip and push the lid 9 in a downwards direction towards the body 3 and also backwards away from the lid 9 such that the lid 9 is caused to rotate about the hinge 17. It will be appreciated that the depression 26 and lip 27 may be located in any position on the top wall 14 of the lid 9, so long as pushing on the lip 27 will cause the lid 9 to pivot open.

10

Figures 8a and 8b show another example of a container 1 for an electronic cigarette 2, comprising a body 3 and a lid 9 similar to that described with reference to Figure 1. The rigid elongate body 3 has a chamber 4 which has a supporting wall 52 that divides the chamber 4 into a first opening 10 for supporting an electronic cigarette 2 in an upright position and an ancillary opening 11 for an ancillary article.

15

In this example, the open end 8 of the body 3 comprises a recess which defines a curved profile and the open face 16 of the lid 9 has a protrusion 48 that extends into that recess 28 when the lid is closed. In particular, the end portions 29 of the open end 8 of the body 3, which are closer to the end walls 6, are at the same level and same distance from the base wall 7. Centrally, between the end portions 29, the open end 8 has a recess 28, which in this example is curved, which extends towards the base wall 7 of the body 3. Similarly, the open face 16 of the lid 9 is provided with a curved protrusion 48 that extends from the open face 16 in the same manner as the recess 28 on the open end 8 of the body. The open face 16 of the lid 9 also has two aligned end portions 49 so that the shape of the open face 16 of the lid 9 and the open end 8 of the body 3 are matching and combine to leave no space between the lid 9 and the body 3 when the lid 9 is closed.

20

25

It will be appreciated that the curved recess of the open end 8 and open face 16 of the container 1 may be provided in the configuration shown in Figures 8a and 8b regardless of the arrangement of the first and ancillary openings 10, 11 in the body 3. For example, the first opening 10 may be positioned centrally within the chamber 4 and aligned with the curved region 28 of the open end 8 of the body 3.

30

It will also be appreciated that the recess 28 in the open end 8 of the body may be any shape and is not limited to only the curved shape shown in Figures 8a and 8b.

35

In the example shown in Figures 8a and 8b, the recessed open end 8 of the body 3 and the open face

16 of the lid 9 allow a user to more easily retrieve an ancillary article placed in the ancillary opening 11, between the first opening 10 and the hinge 19. This may be advantageous if the ancillary articles are more difficult to grasp than the electronic cigarette 2, especially if the ancillary article is shorter than the electronic cigarette 2 so would not otherwise protrude past the open end 8 of the body 3.

5

In another example, the first opening 10 is positioned in the centre of the chamber 4, equispaced between the opposing end walls 6, and the recess 28 in the open end 8 of the body 3 is aligned with the centrally positioned first opening 10. Therefore, an electronic cigarette received in the first opening 10 is easily retrievable as the recess 28 allows a user to grasp more of the electronic cigarette

10 2.

The protrusion 48 on the lid 9, which extends towards the body 3, gives the lid a greater area on the side of the lid 9 so that a user can more easily grasp the lid 9 for closing and opening the container.

15 Figures 9a and 9b show a further example of a container 1 for an electronic cigarette. Figure 9a shows the container 1 when it is assembled with an electronic cigarette 2 received inside and Figure 9b shows an exploded assembly drawing of the container 1. The container 1 of this example comprises a lid 9 and a body 3 which are similar to those described with reference to Figures 8a and 8b. However, in this embodiment, the container 1 comprises an insert 30 that is received within the chamber 4 of the body 3 and also comprises an over-centre biased hinge 51 (see Figures 11a and 11b), as will be described below. However, as will become clear from the below description, the insert 30 and the over-centre biased hinge 51 are independent of each other and either or both may be provided to any of the example containers described herein.

25 As shown in Figure 9b, the container 1 comprises an insert 30 which includes the supporting wall 52 to form the first opening 10, which extends through the insert 30 and also the ancillary opening 11. The insert 30 is received in the open end 8 of the body 3 and a lip 32, which extends outwardly from the top of the insert 30, abuts against the open end 8 of the body so that the insert 30 is supported on the open end 8 within the chamber 4. The lip 32 of the insert 30 is shaped to match the shape of the open face 16 of the lid 9 and the open end 8 of the body 3, which in this example are shaped as described with reference to Figures 8a and 8b, with the open end 8 of the body having a curved recess into which the lid extends when the lid is closed.

35 The insert 30 shown in Figure 9b extends partially into the chamber 4 within the body 3. However, it will be appreciated that the insert 30 may alternatively extend through the entire chamber 4 to the base wall 7 of the body 3. The first opening 10 which is formed in the insert 30 extends through the insert 30 so that it can receive an electronic cigarette 2 to support the electronic cigarette in an upright

position within the chamber 4. However, the ancillary opening 11 formed in the insert 30 may not extend through the insert 30 and may instead be limited to the space within the insert 30.

Alternatively, the ancillary opening 11 may extend through the entire insert 30 such that the ancillary opening 11 extends through the insert 30 to the base wall 7 of the body 3.

5

The insert 30 may be retained in the body 3 by means of a push-fit or interference fit between the outer surface of the insert 30 and the inner surface of the chamber 4. Alternatively, the insert 30 may be retained by the hinge pin 43 that extends through a pivot hole 30a in the insert 30 and also through the body 3. The body 3 may additionally comprise ribs or other protrusions that mate with grooves or
10 depressions on the insert 30 to fix the position of the insert 30 within the body 3. Alternatively, the insert 30 may be adhered or welded to the body 3.

The insert 30 described with reference to Figure 9b may be provided to any of the example containers described herein. The insert 30 may be advantageous as the first opening 10 and any other features
15 can be formed within the insert 30 and not within the body 3, which makes the body 3 simpler and easier to manufacture.

Also shown in Figure 9a, a stopper 33 may be located on the base wall 7 within the chamber 4. The stopper 33 is aligned with the first opening 10 in the insert 30 such that, when an electronic cigarette 2
20 is received in the container 1, an end of the electronic cigarette 2 abuts against the stopper 33.

Therefore, the position of the electronic cigarette 2 within the container 1 is defined by the height and position of the stopper 33, the first opening 10 and the overall length of the body 3 compared to the length of the electronic cigarette 2. The height of the stopper 33 above the base wall 7 will determine
25 the amount of the electronic cigarette 2 that protrudes past the open end 8 of the body 3 into the

second chamber 15 of the lid. Also shown in Figure 9a, a wall 34 may be provided adjacent to the stopper 33 to prevent the end of the electronic cigarette 2 from moving away from the stopper 33. As shown in Figure 9a, the stopper 33 may comprise a cross-shaped protrusion on the base wall 7.

Alternatively, the stopper 33 may be any shape or configuration of protrusion against which the electronic cigarette 2 will abut.

30

Alternatively, the stopper 33 may comprise a resilient material (not shown) disposed in the bottom of the chamber 4 against the base wall 7 of the body 3. The resilient material may be a foam or sponge or similar material against which the end of the electronic cigarette 2 will abut when received in the container. The bottom surface of the chamber 4 may be flat and a foam insert may cover the entire
35 bottom surface. The foam insert may be stuck to the bottom surface. A foam insert provides a cushion for the electronic cigarette and also allows for tolerance variations in the plastic parts so that, when the lid is closed, the rib 35 (see Figure 11a) will apply pressure to the end of the electronic cigarette

and push it into the foam. Any rattling or movement of the electronic cigarette can thereby be prevented. If the foam insert covers the entire bottom surface, any ancillary article inserted into the chamber may also be cushioned in a similar way.

5 It will be appreciated that the stopper 33 and wall 34 described with reference to Figure 9a may be provided to a container which does not include an insert 30. That is, for example, if the container described with reference to any of Figures 1 to 8b had a supporting wall 52 and first opening 10 that did not extend to the base wall 7 then that container may be provided with a stopper 33 and wall 34 to support the end of the electronic cigarette. It will also be appreciated that the container may not
10 comprise a stopper as described above and the electronic cigarette may instead rest on the bottom of the chamber. However, the use of a stopper or a resilient material is preferable if the bottom of the container is not planar and perpendicular to the direction of the electronic cigarette, as a non-planar base wall may result in the electronic cigarette being twisted within the first opening which may cause the electronic cigarette to become jammed or damaged.

15
As shown in Figure 10, a rib 35 may extend from the inside face of the top wall 14 of the lid 9, into the second chamber 15 within the lid 9. As shown, the rib 35 extends from the top wall 14 of the lid 9 at least partially across the second chamber 15 so that the rib 35 is disposed above the first opening 10 when the lid 9 is closed. In this way, the rib 35 is disposed adjacent to, or abuts against, the top end of
20 an electronic cigarette 2 which is placed in the container 1 when the lid 9 is closed to prevent movement of the electronic cigarette 2 within the container 1 by restricting the movement of the electronic cigarette 2 in the longitudinal direction within the first opening 10. If the container comprises more than one opening for an electronic cigarette 2 then the rib 35 may extend across the second chamber 15 so that rib 35 is disposed above both the openings to restrict the movement of
25 electronic cigarettes received in both opening.

In an alternative embodiment, the lid 9 does not comprise a rib 35 that extends from the top wall 14 to abut on the end of the electronic cigarette 2 but the lid 9 is configured so that the top wall 14 is disposed adjacent to, or abuts against, the end of the electronic cigarette 2 when the lid 9 is closed.
30 Alternatively, depending on the size of the lid 9 and the distance between the top wall 14 of the lid 9 and the end of the electronic cigarette 2, the lid 9 may comprise any type of protrusion or recess which ensures that, when the lid 9 is closed, a part of the lid 9 is disposed adjacent to, or abuts against, the end of the electronic cigarette 2.

35 As explained, an electronic cigarette placed in the container described with reference to Figures 9a to 10 will be supported in an upright position by the first opening 10, stopper 33 and, when the lid 9 is closed, the rib 35 in the lid 9. Therefore, the electronic cigarette is prevented from any significant

movement within the container which will protect the electronic cigarette whenever it is in the container.

Also shown in Figure 10, the end wall 13 of the lid 9 on an opposite side to the hinge may be provided with a recess 36 that engages with a similarly shaped protrusion on the body 3 or insert 30 to maintain the position of the lid 9 when it is in a closed position. The engagement between the recess 36 and protrusion will prevent sideways movement and twisting of the lid which may damage the hinge. In another example, the container may comprise the protrusion on the body 3 and not the recess 36 in the lid.

In this example, the protrusion may engage with an internal surface of the lid to maintain the position of the lid when closed.

Figures 11a and 11b show cross-sections of the container 1 described with reference to Figures 9a, 9b and 10. As shown in Figure 11a, which shows the lid 9 in a closed position, the stopper 33 and wall 34 are located on the base wall 7 of the chamber 4, in line with the first opening 10 in the insert 30. Also, the rib 35 in the lid 9 abuts against the top end of the electronic cigarette 2. Therefore, the electronic cigarette 2 positioned in the container 1 is constrained when the lid 9 is closed and significant movement of the electronic cigarette 2 is prevented.

Figures 11a and 11b also show the components of the over-centre biased hinge 51. The hinge 51 of this example is provided with a biased cam member 31 which acts against the lid 9 and provides an over-centre biasing action; that is, the biased cam member 31 acts to urge the lid 9 into a closed position during one part of the rotation of the lid 9 and urges the lid 9 into the open position for another part of the rotation of the lid 9.

25

As shown, the body 3 comprises a hinge recess 37 which receives the biased cam member 31. In this example, the hinge recess 37 is formed in the insert 30, although it will be appreciated that the hinge recess 37 may alternatively be formed in the body 3. The cam member 31 comprises a resilient member, such as a spring 38, and a cam face 39 which pushes against the lid 9, as described below.

The cam member 31 may be disposed to exert a force in a direction towards the pin 43, as shown in Figure 11a.

The lid 9 comprises a hinge member 40 which extends from the lid into a cut-out (42, see Figure 9b) in the end wall 6 of the body 3. The cut-out 42 is formed within the end wall 6 and extends to the open end 8 and a matching cut-out (44, see Figure 9b) is formed in the insert 30. The cut-outs 42, 44 allow the hinge member 40 and lid 9 to rotate relative to the body 3. The hinge member 40 comprises a hole which is coaxially aligned with holes (41, see Figure 9b) in the side faces (5, see Figure 9b) of

the body 3. A pin 43 extends through the holes in the hinge member 40 and side faces to pivotally mount the lid 9 to the body 3. In this example, the holes in the body and hinge member 40 are located within the chamber 4, that is, between the end walls 6 of the body 3.

5 As shown in Figures 11a and 11b, the pin 43 is disposed between the end walls 6 of the container. Therefore, the side of the body 3 and the lid 9 are aligned when the lid 9 is closed and there is no protrusion from the side of the container 1. This is advantageous as it makes the container 1 easier to insert into and remove from a pocket and also the hinge 51 is integrated within the container 1 so there is less chance of it becoming damaged.

10

The cam face 39 of the cam member 31 comprises a curved surface which is pressed against the hinge member 40 of the lid 9 by the spring 38 which acts between the cam face 39 and the hinge recess 37 in the insert 30. Therefore, the cam member 31 applies a force on the lid 9 in a direction away from the body 3 of the container 1.

15

As shown in Figure 11a, the hinge member 40 comprises a cam element which has an outer face 45 which, when the lid 9 is closed, forms an outer surface of the container within the cut-out (42, see Figure 9b) in the body 3. The cam element of the hinge member 40 also comprises an angled face 46 which is disposed to face towards the cam member 31 when the lid 9 is in a closed position. The angled face 46 of the cam element is disposed such that, when the lid 9 is closed, the cam member 31 pushes against the angled face 46 and the lid 9 is biased to rotate about the pin 43 into the closed position. The cam member 31 pushes against the angled face 46 and creates a moment about the pin 43 which biases the lid 9 to rotate into a closed position. Therefore, to open the lid 9 it must be pivoted against the biasing force provided by the cam member 31.

25

However, when the lid 9 is rotated into the open position, as shown in Figure 11b, the angled face 46 of the cam element of the hinge member 40 rotates away from the cam member 31 and, at a predetermined intermediate angle of rotation, the edge 47 of the hinge member 40 between the angled face 46 and the outer face 45 moves over the cam face 39 so that the cam member 31 pushes on the outer face 45 to bias the lid 9 to rotate about the pin 43 into an open position. Therefore, after a predetermined angle of rotation the cam member 31 acts to bias the lid 9 into an open position.

30

The hinge member 40, in particular the outer face 45 and the angled face 46 of the cam element, may be arranged relative to the cam member 31 such that the biasing action changes direction after a rotation of 45 degrees from the closed position. In this example, for the first 45 degrees of rotation from the closed position the lid 9 will be biased back into the closed position by the cam member 31. However, after more than 45 degrees of rotation the biasing action will change to urge the lid 9 into

35

the open position. It will be appreciated that the hinge member 40 and cam member 31 may be arranged such that the direction of the biasing action changes after a rotation of any pre-determined angle from the closed position, for example 30 degrees, 60 degrees or 90 degrees, or anywhere between these angles. Most preferably, the lid may be biased open when it has reached somewhere
5 between 35 and 45 degrees.

Also shown in Figures 11a and 11b, the cam face 39 of the cam member 31 may have a protrusion 53 that extends from the cam face 39 to create an audible noise and a small amount of resistance that is felt by the user as the lid 4 is rotated in each direction. As shown in Figures 11a and 11b, the
10 protrusion 53 may be positioned on the cam face 39 so that the edge 47 of the hinge member 40 contacts the protrusion 53 as the direction of the biasing action changes. Therefore, a user is informed, audibly and tactilely, that the hinge has moved over-centre and the biasing action will be acting in an opposite direction. Alternatively, the protrusion 53 may be provided on another part of the cam face 39 to inform the user of another lid position. For example, the protrusion 53 may be provided in a
15 position corresponding to a closed position or an open position or any intermediate position.

It will be appreciated that the hinge 51 described with reference to Figures 11a and 11b may be provided to any of the examples of containers described herein. Furthermore, the hinge recess 37 may be formed in the body 3 of the container and not, as described with reference to Figures 9a to 11b, in
20 an insert received in the body 3. Therefore, the sprung over-centre biasing hinge is not dependent on the container having an insert.

Figure 11c illustrates a detail of another embodiment of a container to show the operation of the lid 9 as it rotates open and shut about pin 43 (the other portions of this container of Figure 11c may be
25 substantially similar to a container such as already described with respect to the embodiments of Figures 1 through 11b). In particular, Figure 11c provides a vertical cross-section through the container in the region adjacent to the pin 43 with the lid in the closed position. The body 3 of this container is provided with a cam member 31 including a coil spring 38 which acts as a biasing means, and a cam face 39, the end of which is emphasised by a protrusion 53.

As the lid 9 is rotated open from the closed position shown in Figure 11c, the lid arm (hinge member) 40 pivots in counter-clockwise fashion about pin or axle 43. This rotation causes the lid arm 40 to
30 push against the cam face 39, thereby tending to compress spring 38, which therefore opposes this initial stage of the rotation of the lid. However, once the corner 144 of the lid arm 40 which is furthest from the pin 43 has passed the protrusion 53 on the cam face, further rotation of the lid in an
35 opening direction allows the spring 38 to expand again. In other words, the spring 38 encourages this later stage of rotation, which continues until the arm 40 reaches a mechanical stop as provided by a

rim or ledge 126 an outer housing of the body 3 (or any other suitable construct). This two-stage effect of the spring 38 provides an over-centre biasing mechanism for the opening of the lid 9, in effect driving the lid to one of two favoured positions – either fully open or fully shut (in similar fashion to the embodiment described with respect to Figures 11a and 11b).

5

Note that in comparison with the embodiments shown in Figures 11a and 11b, the spring 38 is located in a horizontal rather than a vertical direction (in terms of the main axis of compression and expansion). This change in orientation can help to produce a more compact arrangement, thereby leaving greater space in the container, which might be used, for example, to accommodate a (larger) battery 151, such as shown in Figure 11c. This battery may be used to power various electrical and/or electronic functionality within the container, as described in more detail below.

10

The rotational movement of the lid arm 40 between the open and shut positions also results in a mechanical engagement between the lid arm 40 and a switch 152 attached to a PCB 154. In particular, opening and closing of the lid activate the switch 152 in opposite directions, thereby allowing the state of switch 152 to be used for determining whether the lid 9 of the container is open or shut. The over-centre biasing assists in this respect, because it helps to ensure the switch is maintained in one of two definitive positions (on/off), rather than in some more uncertain intermediate position.

20

In some embodiments, the switch 152 and PCB 154 are used to control certain electronic or electrical functionality of the container. For example, the container may be provided with a light (such as an LED) which is illuminated when the lid is open and extinguished when the lid is closed. As another example, the container may be provided with a facility (such as the battery 151) for re-charging an e-cigarette held within the container, and the re-charging is active when the lid is closed and inactive when the lid is open (and the e-cigarette therefore more likely to be removed). It will be appreciated that electrical and/or electronic functionality of this sort may be integrated into any of the containers described above in relation to Figures 1 through 11b.

25

Figure 12 shows an example of an insert 30 which may be received in the body 3 of a container 1. The insert 30 is similar to the insert described with reference to Figures 9a and 9b. The insert shown in Figure 12 has two supporting walls 52 which provide first and second openings 10, both for receiving and supporting electronic cigarettes, as well as an ancillary opening 11 and the optional hinge recess 37 for the spring mechanism described with reference to Figures 11a and 11b. Also, the insert 30 comprises a lip 32 extending from the top edge so that the insert 30 can be inserted into and supported in the open end of the body 3. In this example, the supporting wall that extends between one of the first and second openings 10 for an electronic cigarette 2 and the ancillary opening 11 is not complete,

30

35

such that one of the first and second openings 10 for the electronic cigarette and the ancillary opening 11 are joined together. However, it will be appreciated that the supporting wall 52 may extend entirely between those openings 10, 11 to completely separate them. It will also be appreciated that the insert 30 shown in Figure 12 may be easily adapted for any of the embodiments shown in Figures 1 to 11b, such that any of the example containers can hold multiple electronic cigarettes.

It will be appreciated that any of the first or second openings or ancillary opening may be formed partially by a portion of the insert and partially by a portion of the body of the container. For example, a semi-cylindrical end wall of the body of the container may combine with a semi-cylindrical end of the insert to create a first opening to receive an electronic cigarette.

It will be appreciated that any of the containers described with reference to Figures 1 to 11b, may be provided with multiple openings for receiving multiple electronic cigarettes. These multiple openings may be provided in an insert which is received in the chamber of the body or alternatively they may be formed by supporting walls extending from the body itself.

It will also be appreciated that any of the different profiles of the open end 8 of the body 3 and the open face 16 of the lid 9 described with reference to Figures 1 to 8b may be provided to a container with multiple openings, as shown in the insert of Figure 12.

In one example, the insert 30 may comprise two openings 10 for electronic cigarettes 2 and a further ancillary opening for an ancillary article arranged such that the ancillary opening is positioned closest to the hinge, with one opening for an electronic cigarette 2 disposed centrally within the chamber. The recessed open end 8 of the body 3 may be as described with reference to Figures 8a and 8b, with a recess 28 disposed centrally and therefore aligned with one of the openings for an electronic cigarette 2.

It will be appreciated that a container may be provided with any of the hinges, body and lid shapes, inserts or any other features and the invention is not limited to those specific examples described with reference to Figures 1 to 12. The examples described with reference to Figures 1 to 12 merely provide a range of examples of combinations of different features. Therefore, in a further example, the container described with reference of any of Figures 1 to 8b may be provided with the over-centre biased hinge and/or the insert described with reference to Figures 9a to 11b.

The container 1 may be made from an opaque, translucent or transparent material or a combination thereof. For example, the body 3 may be made of an opaque material and the lid from a transparent material, so that a user is able to see whether an electronic cigarette is within the container. In an

alternative example, the body 3 may be made from a transparent material.

5 Components of the container, such as the body and the lid, may be made from a transparent, translucent or opaque polymer material, such as polycarbonate. Alternatively, the container may be made from a metal, such as tin or aluminium. However, it will be appreciated that the container may be made from any suitable material.

10 It will be appreciated that the electronic cigarette, for which the containers described are suitable, may have a constant cross-section, for example a constant diameter cylindrical shape. In this case, the first opening and other features that interact with the electronic cigarette will have a size and shape appropriate for the electronic cigarette. However, if the electronic cigarette has a non-constant size, for example if the electronic cigarette changes diameter, the first opening may be formed to match this. This may mean that the electronic cigarette can only be received in the first opening in a specific orientation and this may ensure that an appropriate end of the electronic cigarette is always disposed
15 towards the lid of the container when received within the container.

Any of the example containers described herein may, instead of having a sprung over- centre biasing hinge, be provided with a torsion spring (not shown) that biases the lid into a closed position. Alternatively, the hinge of any of the example containers may be free to rotate without any spring
20 action.

Some of the example containers described herein have a curved or shaped appearance and it will be appreciated that the hinge may be provided on any side of the container. For example, the container shown in Figures 9a and 9b has a curved outer shape and, if the container is viewed with the convex
25 side facing towards the viewer, then the hinge is located on the right hand side. However, it will be appreciated that the hinge and any other associated features may alternatively be provided on the opposite side, i.e. the hinge may be provided on the left hand side of the container when viewed with the convex side of the container facing towards the viewer.

30 All of the example containers described with reference to the Figures are provided for storing and transporting an electronic nicotine delivery system, such as an electronic cigarette, or other flavoured vapour delivery system, and optionally also an ancillary article related to that electronic nicotine delivery system or other flavoured vapour delivery system. The containers may be used when selling the product, for example as a sales display case or similar, or may be sold separately to the electronic
35 nicotine delivery system. The containers provide protection for the electronic nicotine delivery system during transportation, storage and when being carried by a user. The containers may be pocket-sized to allow a user to easily carry the container, and the electronic nicotine delivery system, on their

person. The container is durable and gives protection from impact, crushing and dropping and also protects the contents of the container against dirt and possibly liquids.

5 In order to address various issues and advance the art, the entirety of this disclosure shows by way of illustration various embodiments in which the claimed invention(s) may be practiced and provide for a superior container for an electronic nicotine delivery system or other flavoured vapour delivery system. The advantages and features of the disclosure are of a representative sample of embodiments only, and are not exhaustive and/or exclusive. They are presented only to assist in understanding and teach the claimed features. It is to be understood that advantages, embodiments, examples, functions, 10 features, structures, and/or other aspects of the disclosure are not to be considered limitations on the disclosure as defined by the claims or limitations on equivalents to the claims, and that other embodiments may be utilised and modifications may be made without departing from the scope and/or spirit of the disclosure. Various embodiments may suitably comprise, consist of, or consist essentially of, various combinations of the disclosed elements, components, features, parts, steps, 15 means, etc. In addition, the disclosure includes other inventions not presently claimed, but which may be claimed in future.

Claims

1. A container for an elongate electronic nicotine delivery system or other flavoured vapour delivery system, the container comprising a rigid elongate body defining a chamber including an end
5 and an insert received in said end having a first opening and an ancillary opening that each lead into the chamber, the insert including a dividing wall to separate the first and ancillary openings in the insert so that an elongate electronic nicotine delivery system or other flavoured vapour delivery system inserted into the chamber through said first opening protrudes therefrom and is supported in an upright position within the chamber by said insert, a lid being pivotally attached to said body so that it
10 covers said first and second openings in the insert in a closed position.
2. The container of claim 1, wherein the insert is configured so that an elongate ancillary article inserted into the chamber through the ancillary opening protrudes therefrom and is supported in an upright position in the chamber by the insert.
15
3. The container of any preceding claim, wherein the insert comprises a lip that protrudes in a direction away from the chamber and which cooperates with the lid when the lid is closed.
4. A container for an electronic nicotine delivery system or other flavoured vapour delivery
20 system, comprising a body defining a chamber having opposing side walls separated by end walls at a peripheral edge of each side wall, a lid to cover an open end of the chamber in a closed position, and a pin extending between the side walls that attaches the lid to the body for rotation about the longitudinal axis of the pin between open and closed positions, wherein the pin is also positioned so that it lies between the end walls.
25
5. The container of claim 4, wherein the hinge is configured so that the longitudinal axis of the pin extends substantially at right-angles to a direction in which an electronic nicotine delivery system or other flavoured vapour delivery system is inserted into the chamber when the lid is in its open position.
30
6. The container of claim 5, wherein said hinge comprises a hinge member that extends from said lid into said chamber between opposing side walls of the body, said pin extending through said hinge member and side walls of the body.
- 35 7. The container of claim 6, wherein an insert is received in said open end of the chamber, the insert having a first opening and an ancillary opening that each lead into the chamber, the insert including a dividing wall to separate the first and ancillary openings in the insert so that an elongate

electronic nicotine delivery system inserted into the chamber through said first opening protrudes therefrom and is supported in an upright position within the chamber by said insert.

8. The container of claim 7, wherein the insert includes a lip that seats against an upper end of the side and end walls so that the lid contacts said lip in a closed position and covers said first and ancillary openings.

9. The container of claim 7 or 8, further comprising a cam member which is biased into contact with the hinge member by a resilient member so that the lid is pivotable towards its open position against the biasing force of the resilient member.

10. The container of any of claims 7 to 9, wherein the pin that extends through said hinge member and side walls of the body also passes through the insert to retain said insert in the body.

11. A container for an electronic nicotine delivery system or other flavoured vapour delivery system comprising a body and a lid pivotally attached thereto, the lid and the body each having a pair of opposing side walls separated by opposing end walls to define a chamber to receive an electronic nicotine delivery system or other flavoured vapour delivery system, wherein said opposing side walls of said body and said lid are arcuate in shape.

12. The container of claim 11, wherein said opposing side walls are longer than said opposing end walls, such that said container has a generally elongated arcuate shape.

13. The container of claim 11 or claim 12, wherein the arcuate opposing side walls have equal radius and are arranged such that the side walls are equispaced.

14. The container of any of claims 11 to 13, wherein the container is for an elongate electronic nicotine delivery system and the body of the container is a rigid elongate body which defines the chamber including an end and an insert received in said end having a first opening and an ancillary opening that each lead into the chamber, the insert including a dividing wall to separate the first and ancillary openings in the insert so that an elongate electronic nicotine delivery system or other flavoured vapour delivery system inserted into the chamber through said first opening protrudes therefrom and is supported in an upright position within the chamber by said insert, the lid being pivotable so that it covers said first and ancillary openings in the insert in a closed position.

15. The container of any of claims 11 to 14, further comprising a pin that attaches the lid to the body for rotation about the longitudinal axis of the pin that extends between the opposing side walls,

wherein the pin is also positioned so that it lies between the opposing end walls.

16. A container for an electronic nicotine delivery system or other flavoured vapour delivery system comprising a body defining a chamber having an end with an opening therein for insertion of an electronic nicotine delivery system through said opening into the chamber, wherein said end of the body is shaped so as to define a recess and said opening is formed in said recess in the end of the body.

17. The container of claim 16, wherein the recess is located centrally on the end of the chamber.

18. The container of claim 16 or claim 17, wherein the recess is curved.

19. A container for an electronic nicotine delivery system or other flavoured vapour delivery system comprising a body defining a chamber having an end with an opening therein for insertion of an electronic nicotine delivery system through said opening into the chamber, and a lid having a side wall with an edge, the lid being pivotally attached to the body so that said edge contacts said end of the body when the lid is in a closed position, wherein the edge has an outwardly protruding region which extends towards the body when the lid is in a closed position.

20. The container of claim 19, wherein the end of the body is shaped so as to define a recess and said opening is formed in the recess in the end of the body, and wherein the protrusion of the lid is shaped to match the recess in the end of the body so that the lid extends into said recess in a closed position.

21. The container of any of claims 16 to 20, wherein the container is for an elongate electronic nicotine delivery system and the body of the container is a rigid elongate body and an insert is received in said end of the chamber, said insert having a first opening and an ancillary opening that each lead into the chamber, the insert including a dividing wall to separate the first and ancillary openings in the insert so that an elongate electronic nicotine delivery system or other flavoured vapour delivery system inserted into the chamber through said first opening protrudes therefrom and is supported in an upright position within the chamber by said insert, the lid being pivotally attached to said body so that it covers said first and ancillary openings in the insert in a closed position.

22. The container of any of claims 16 to 21, wherein the body comprises opposing side walls separated by end walls at a peripheral edge of each side wall and a pin that attaches the lid to the body for rotation about the longitudinal axis of the pin that extends between the opposing side walls, wherein the pin is also positioned so that it lies between the end walls.

23. The container of any of claims 16 to 22, wherein the lid and the body each have a pair of opposing side walls separated by opposing end walls, wherein said opposing side walls of said body and said lid are arcuate in shape.

5

24. A container for an elongate electronic nicotine delivery system or other flavoured vapour delivery system, the container comprising a rigid elongate body defining a chamber including an end having an opening so that an elongate electronic nicotine delivery system or other flavoured vapour delivery system inserted into the chamber through said opening is supported in an upright position within the chamber, a lid pivotally attached to said body to cover said opening in a closed position, and an over-centre biasing mechanism configured to bias the lid toward a closed position until the lid has been pivoted into an intermediate position, beyond which the lid is biased towards an open position.

10

25. The container of claim 24, wherein the over-centre biasing mechanism comprises a cam member and a cooperating cam element on the lid, the cam member being biased into contact with the cam element by a resilient member so that the lid pivots against the biasing force of the resilient member.

15

26. The container of claim 25, wherein the cam element of the lid comprises first and second surfaces disposed at an angle to each other such that said cam member acts against the first surface to bias the lid towards a closed position and, after the lid is pivoted into an intermediate position, the cam member acts against the second surface to bias the lid towards an open position.

20

27. The container of claim 26, wherein said cam member comprises a protrusion on a surface of said cam member that contacts said cam element of said lid, said protrusion configured to interact with an edge between the first and second surfaces of the cam element to generate an audible sound as the edge moves over said protrusion during rotation of said lid.

25

28. The container of any of claims 25 to 27, wherein the container comprises an insert received in the end of the chamber .

30

29. The container of claim 28, wherein the insert further comprises a first opening and an ancillary opening that each lead into the chamber and a dividing wall to separate the first and ancillary openings in the insert so that an elongate electronic nicotine delivery system or other flavoured vapour delivery system inserted into the chamber through said first opening protrudes therefrom and is supported in an upright position within the chamber by said insert.

35

30. The container of any of claims 24 to 29, wherein the body comprises opposing side walls separated by end walls at a peripheral edge of each side wall and a pin that attaches the lid to the body for rotation about the longitudinal axis of the pin that extends between the opposing side walls,
5 wherein the pin is also positioned so that it lies between the end walls.
31. The container of any of claims 24 to 30, wherein the lid and the body each have a pair of opposing side walls separated by opposing end walls to define a chamber to receive an electronic nicotine delivery system or other flavoured vapour delivery system, wherein said opposing side walls
10 of said body and said lid are arcuate in shape.
32. The container of any of claims 24 to 30, wherein said end of the chamber is shaped so as to define a recess and said opening is formed in said recess in the end of the body.
- 15 33. The container of any of claims 24 to 32, wherein the lid has a side wall with an edge which contacts the end of the body when the lid is in a closed position, and wherein the edge has an outwardly protruding region which extends towards the body when the lid is in a closed position.
34. The container of any of claims 24 to 33, further comprises a switch for detecting whether the
20 lid is in an open or closed position.
35. The container of claim 34, wherein the switch is mechanically operated by movement of the lid for detecting whether the lid is in an open or closed position.
- 25 36. The container of claim 34 or 35, wherein the container includes electronic and/or electrical functionality which is controlled in accordance with the open or closed position of the lid as detected by the switch.
37. A container for an electronic nicotine delivery system or other flavoured vapour delivery
30 system, said container comprising an elongate body defining a chamber therein having an end, said end comprising first and second openings, wherein each of said first and second openings are configured to separately support an elongate electronic nicotine delivery system or other flavoured vapour delivery system inserted through each of said first and second openings an upright position in the chamber.
35
38. The container of claim 37, wherein each of said first and second openings are tubular.

39. The container of claim 37 or claim 38, wherein an insert is received in said end of the chamber and said first and second openings are formed in the insert.
40. The container of claim 39, wherein the insert includes a dividing wall separating the first and second openings.
41. The container of claim 39 or claim 40, wherein the insert further comprises an ancillary opening to receive an ancillary article in addition to said first and second openings.
42. The container of claim 41, wherein the ancillary opening merges with at least one of the first and second openings.
43. The container of any of claims 39 to 42, further comprising a lid being pivotally attached to said body so that it covers said first and second openings in a closed position, wherein said lid comprises a hinge member that extends from the lid into a hinge recess formed in the insert and a pin extends through a part of the body and the hinge member to pivotally mount the lid to the body about a longitudinal axis of the pin.
44. The container of claim 43, wherein the hinge recess is disposed on one side of the body and at least one of said first and second openings is disposed on an opposite side of the body to the hinge recess.
45. The container of claim 44, wherein the ancillary opening is disposed between the hinge recess and at least one of the first and second openings.
46. The container of claim 44, wherein the ancillary opening is disposed between the hinge recess and both of the first and second openings.
47. The container of any of claims 43 to 46, wherein the lid comprises a rib that extends from a surface of the lid and is arranged to retain an electronic nicotine delivery system or other flavoured vapour delivery system received in the first or second opening when the lid is closed.
48. The container of any of claims 43 to 46, further comprising an over-centre biasing mechanism configured to bias the lid toward a closed position until the lid has been pivoted into an intermediate position, beyond which the lid is biased towards an open position.
49. The container of any of claims 43 to 48, wherein the body comprises opposing side walls

separated by end walls at a peripheral edge of each side wall and the pin that attaches the lid to the body for rotation about extends between the opposing side walls, wherein the pin is also positioned so that it lies between the end walls.

5 50. The container of any of claims 43 to 49, wherein the lid and the body each comprise a pair of opposing side walls separated by opposing end walls to define a chamber to receive an electronic nicotine delivery system or other flavoured vapour delivery system, wherein said opposing side walls of said body and said lid are arcuate in shape.

10 51. The container of any of claims 37 to 50, wherein said end of the chamber is shaped so as to define a recess and at least one of said first and second openings is formed in said recess in the end of the body.

15 52. The container of any of claims 37 to 51, wherein the lid has a side wall with an edge which contacts the end of the body when the lid is in a closed position, and wherein the edge has an outwardly protruding region which extends towards the body when the lid is in a closed position.

20 53. The container of any preceding claim, wherein the lid comprises a thumb wheel which is coaxial with an axis of rotation of the lid, said thumb wheel being disposed such that a user is able to contact said thumb wheel to rotate the lid.

54. The container of claim 53, wherein the thumb wheel is substantially cylindrical having an outer face having a groove which a user can contact to rotate said thumb wheel.

25 55. The container of claim 53 or claim 54, wherein the body comprises a curved region, disposed below the thumb wheel, where the side wall of the body is curved inwards.

30 56. The container of any preceding claim, wherein a top wall of the lid comprises a lip such that a user is able to push on the lip to rotate the lid.

57. The container of any preceding claim, wherein the container comprises a polycarbonate material.

35 58. The container of claim 57, wherein the lid comprises an at least partly transparent polycarbonate material.

59. The container of any preceding claim, and an electronic nicotine delivery system or other

flavoured vapour delivery system received in the chamber through said opening.

60. The container of any preceding claim, wherein said electronic nicotine delivery system or other flavoured vapour delivery system is an electronic nicotine delivery system.

5

61. The container of claim 60, wherein said electronic nicotine delivery system is an electronic cigarette.

62. A container substantially as hereinbefore described with reference to any of the drawings.

10



Application No: GB1405720.2

Examiner: Mr Jason Scott

Claims searched: 1-3

Date of search: 16 June 2014

Patents Act 1977: Search Report under Section 17

Documents considered to be relevant:

Category	Relevant to claims	Identity of document and passage or figure of particular relevance
X	1 & 2	CN 202122096 U GONGYUN LONG See whole document and especially figures 1 and 2 showing an elongate body 1, a pivoting lid 13 and inserts 14 forming openings.
X,E	1-3	WO 2014/005275 A LIU QIUMING See whole document and especially the abstracts and figure 4 showing an electronic cigarette case with pivotable lid and insert for individually holding electronic cigarettes.
X,E	1 & 2	WO 2013/189050 A LIU QIUMING See whole document and especially figure 7 showing an elongate body, pivotable lid 2, and insert 3 with multiple openings for electronic cigarettes.
X,E	1-3	WO 2014/015463 A LIU QIUMING See whole document and especially the description of figure 2 showing an elongate body 81, pivoting lid 82 and insert with multiple openings 86.
X,E	1-3	WO 2013/189052 A LIU QIUMING See whole document and especially figure 3 and its description showing elongate body 81, pivoting lid 82 and insert 86 with multiple openings.
X	1 & 2	GB190930472 A NICHOLLS See whole document and especially the discussion of figure 1 showing elongate article a, pivotal lid b, and insert f with openings d.
X	1 & 2	WO 2008/006048 A ASH AND BURN See whole document and especially claims 1, 4, and 8.
X	1-3	GB 2275464 A GD SPA See whole document and especially figures 2 and 3 showing elongate container 30, hinged lid 7, openings 24 defining nicotine delivery system holders.
X	1-3	US 4793478 B BROWN & WILLIAMSON TOBACCO See whole document and especially claim 1 and figure 1 showing an elongate body, a hinged lid



		and an insert defining openings.
X	1 & 2	GB 507955 A GEORGES HOULIER See whole document and especially figure 2 and its description showing an elongate holder, a hinged lid and insert for forming multiple openings.
X	1 & 2	US 6446793 B LAYSHOCK See whole document and especially figure 2 showing an elongate body 7, insert 11, and pivoting lid 13.
X	1-3	US353327 A RANDOLPH See whole document and especially figure 3 showing elongate container, pivoting lid and insert H defining two openings.

Categories:

X	Document indicating lack of novelty or inventive step	A	Document indicating technological background and/or state of the art.
Y	Document indicating lack of inventive step if combined with one or more other documents of same category.	P	Document published on or after the declared priority date but before the filing date of this invention.
&	Member of the same patent family	E	Patent document published on or after, but with priority date earlier than, the filing date of this application.

Field of Search:

Search of GB, EP, WO & US patent documents classified in the following areas of the UKC^X :

Worldwide search of patent documents classified in the following areas of the IPC

A24F

The following online and other databases have been used in the preparation of this search report

WPI, EPODOC

International Classification:

Subclass	Subgroup	Valid From
A24F	0015/20	01/01/2006