



US00D879393S

(12) **United States Design Patent**
DeBartolo et al.

(10) **Patent No.:** **US D879,393 S**

(45) **Date of Patent:** **** Mar. 24, 2020**

(54) **SELF-PROPELLED DEBRIS BLOWER**

(71) Applicants: **Daniel S. DeBartolo**, New Rochelle, NY (US); **Frank S. DeBartolo**, New Rochelle, NY (US)

(72) Inventors: **Daniel S. DeBartolo**, New Rochelle, NY (US); **Frank S. DeBartolo**, New Rochelle, NY (US)

(**) Term: **15 Years**

(21) Appl. No.: **29/622,011**

(22) Filed: **Oct. 13, 2017**

(51) **LOC (12) Cl.** **15-05**

(52) **U.S. Cl.**
USPC **D32/15**

(58) **Field of Classification Search**
USPC D32/1, 15-19, 21, 25; D15/11, 12, 5, 17;
D23/213, 383
CPC ... A47L 5/14; A47L 9/32; A01G 1/125; F04B
17/00; F04B 35/04
See application file for complete search history.

D735,960	S *	8/2015	Zhang	D32/15
D741,917	S *	10/2015	Tinius	D15/15
D742,603	S *	11/2015	Tschopp	D15/12
D746,004	S *	12/2015	Murray	D15/12
D748,876	S *	2/2016	Carl	D15/12
D748,877	S *	2/2016	Tirone	D15/12
D798,513	S *	9/2017	Tinius	D32/15
D812,825	S *	3/2018	Smith	D32/15
2002/0113152	A1 *	8/2002	Dunning	A47L 9/1608 241/55
2003/0127546	A1 *	7/2003	Eavenson, Sr.	A01G 20/47 239/594
2011/0278088	A1 *	11/2011	Weihl	B62D 1/02 180/400
2012/0246865	A1 *	10/2012	Lauer	A01D 42/06 15/405

(Continued)

Primary Examiner — Michelle E. Wilson

(74) *Attorney, Agent, or Firm* — Joseph M. Fowler

(57) **CLAIM**

We claim the ornamental design for a self-propelled debris blower, as shown.

DESCRIPTION

FIG. 1 is a left side, front perspective view of a self-propelled debris blower showing the new design; FIG. 2 is a right side, front perspective view thereof; FIG. 3 is a right side, rear perspective view thereof; FIG. 4 is a front view thereof; FIG. 5 is a rear view thereof; FIG. 6 is a left side view thereof; FIG. 7 is a right side view thereof; FIG. 8 is a top view thereof; and, FIG. 9 is a bottom view thereof.

The ornamental design which is claimed is shown in solid lines in the drawings.

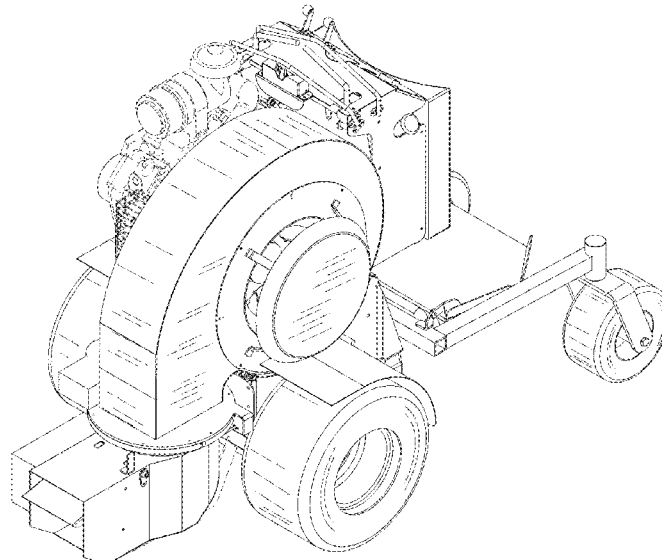
Any broken lines in the drawings are for illustrative purposes only and form no part of the claimed design.

1 Claim, 9 Drawing Sheets

(56) **References Cited**

U.S. PATENT DOCUMENTS

D349,983	S *	8/1994	Tuggle	D32/15
5,707,017	A *	1/1998	Paolucci	A01G 3/002 241/55
D400,322	S *	10/1998	Webster	D32/15
D416,360	S *	11/1999	Enkyo	D32/15
D468,874	S *	1/2003	Nawrozki	D32/15
D469,931	S *	2/2003	Nawrozki	D32/15
D529,243	S *	9/2006	Noma	D32/15
D569,055	S *	5/2008	Bochmann	D32/15
D584,461	S *	1/2009	Sweeney	D32/15
D637,774	S *	5/2011	Li	D32/15
D668,822	S *	10/2012	Tinius	D32/15
D711,057	S *	8/2014	Crawley	D15/12
D719,307	S *	12/2014	Carl	D15/12
D729,999	S *	5/2015	Aoi	D15/12



(56)

References Cited

U.S. PATENT DOCUMENTS

2014/0325853	A1*	11/2014	Lawlor	B23D 59/006 30/374
2015/0190021	A1*	7/2015	Barkow	E01H 1/0809 15/405
2015/0196179	A1*	7/2015	Kinthead	A01G 20/43 15/405
2016/0120131	A1*	5/2016	Conrad	F04D 17/16 15/319
2016/0251003	A1*	9/2016	Weihl	B60T 7/12 701/70
2018/0054965	A1*	3/2018	Fullerton	F16L 21/002
2018/0249629	A1*	9/2018	Weihl	A01D 34/71
2018/0327987	A1*	11/2018	Olson	E01H 1/0809
2019/0008090	A1*	1/2019	Dretzka	A01D 75/008
2019/0280647	A1*	9/2019	Novotny	H02S 40/10

* cited by examiner

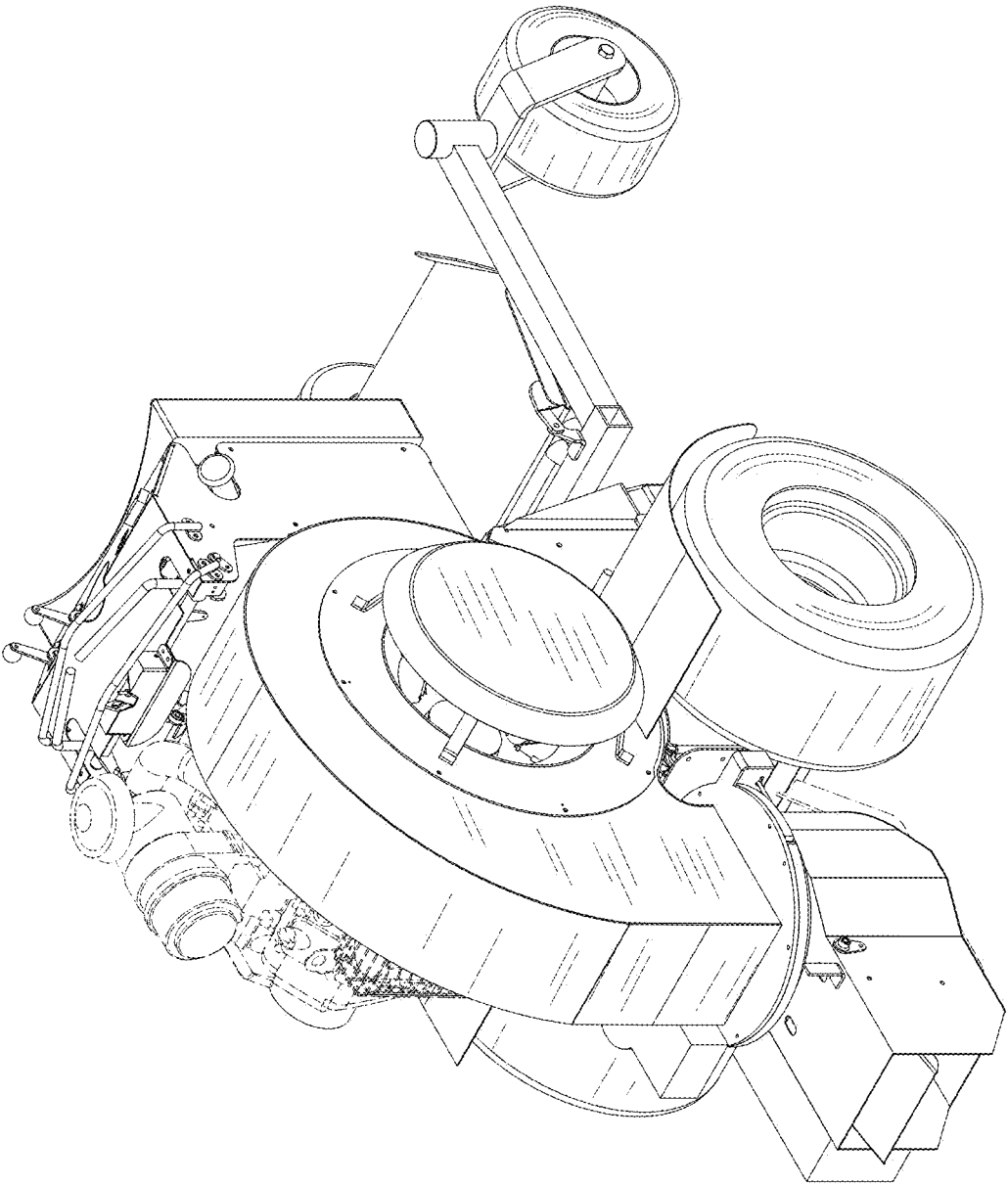


FIG. 1

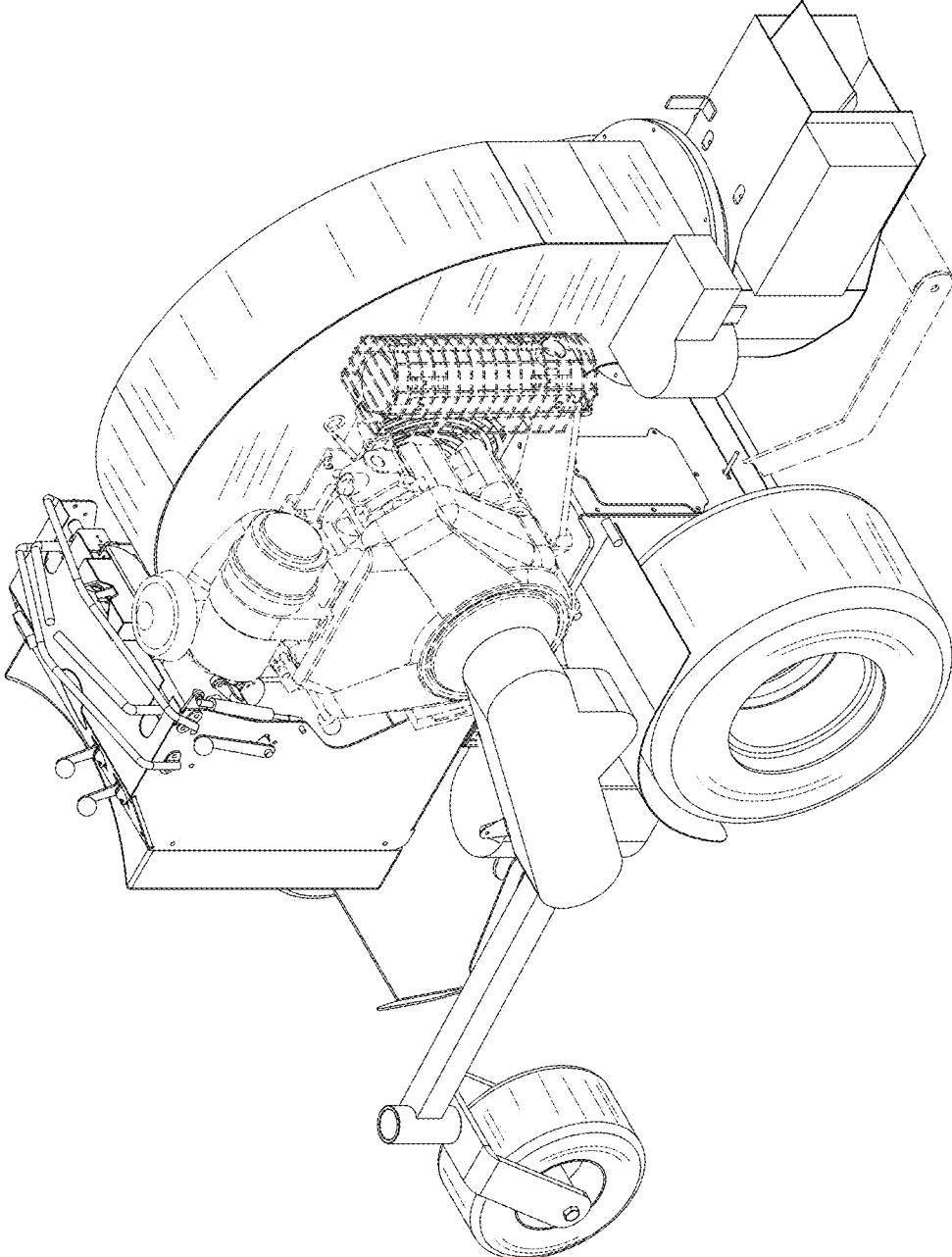


FIG. 2

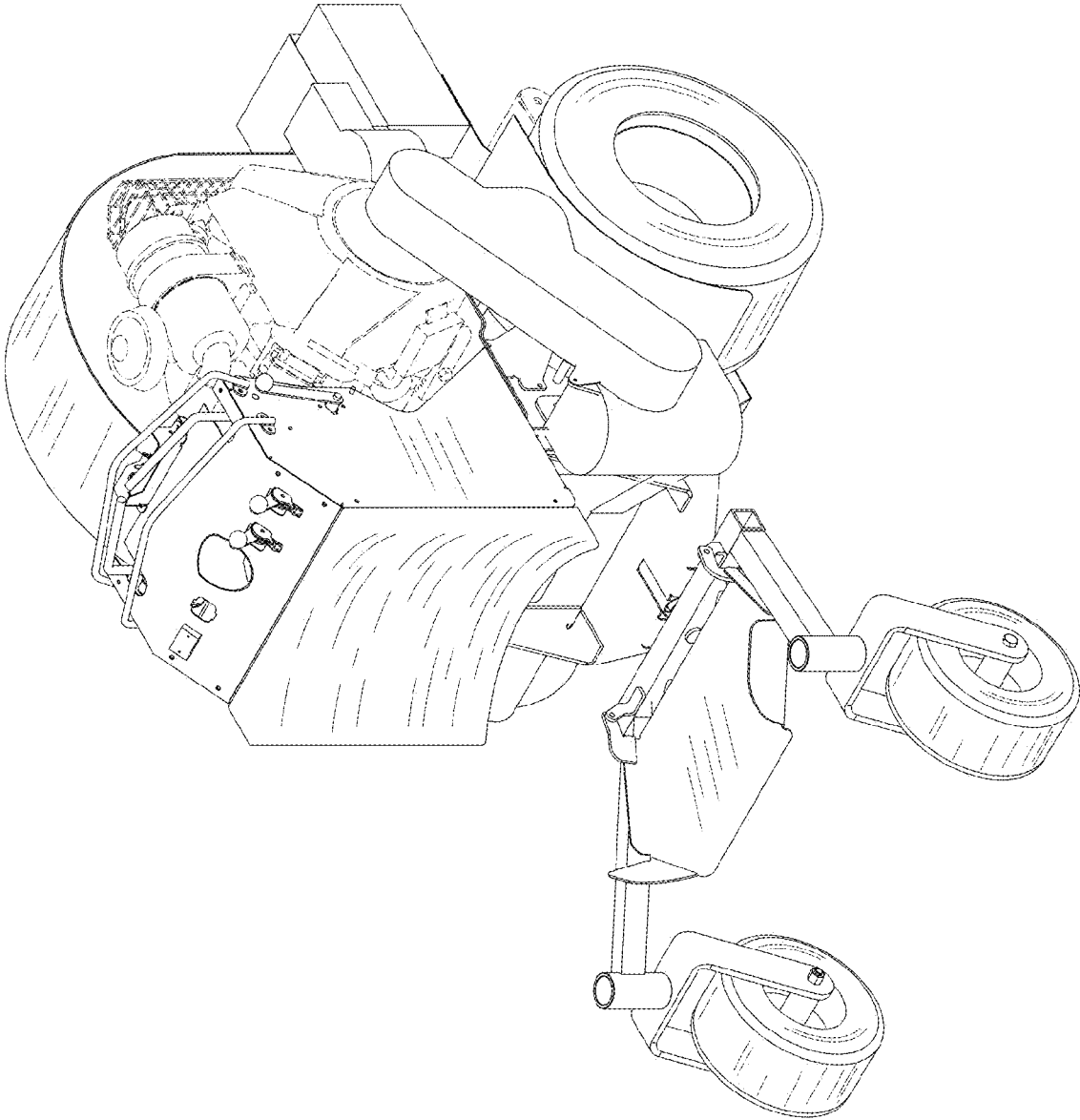


FIG. 3

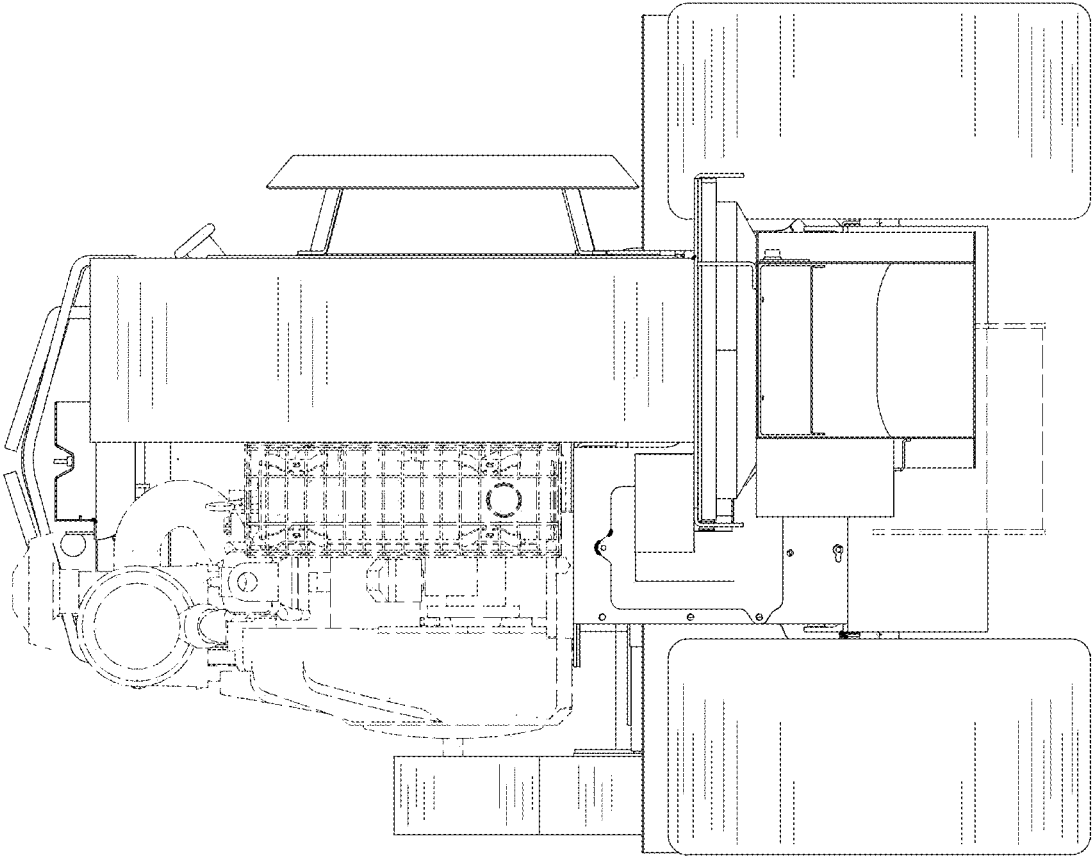


FIG. 4

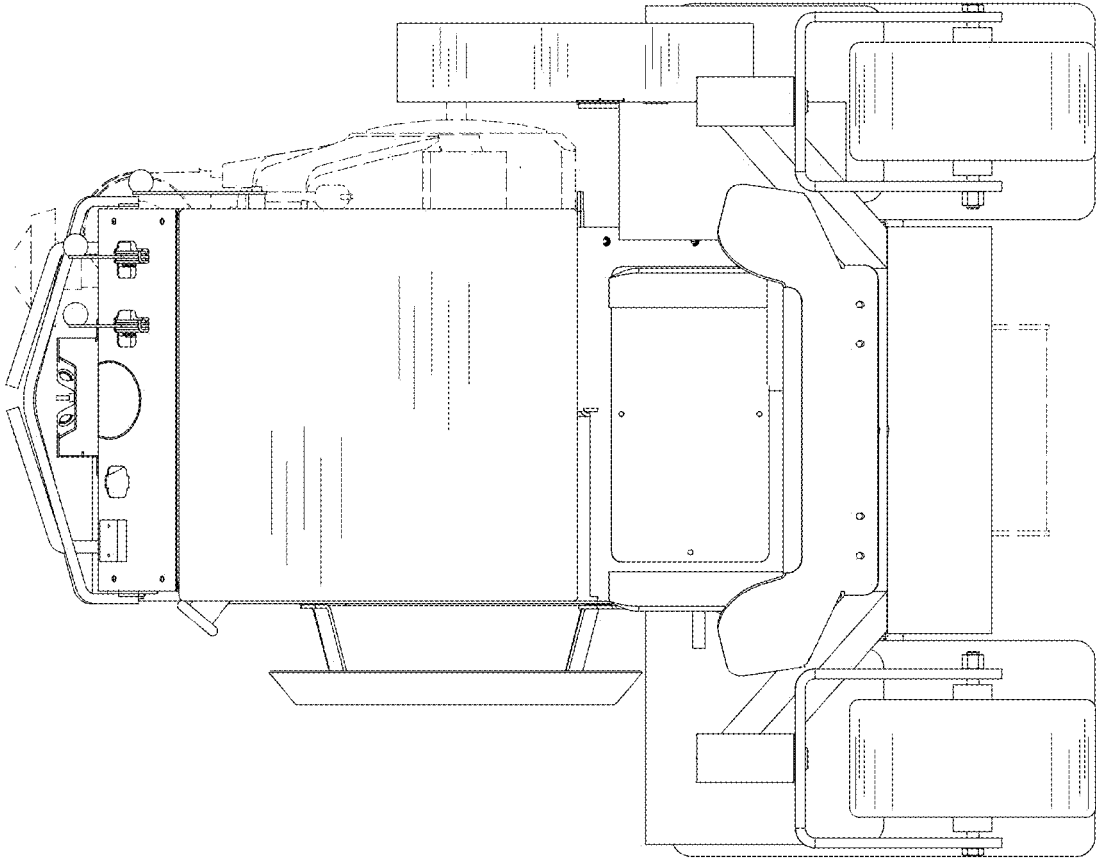


FIG. 5

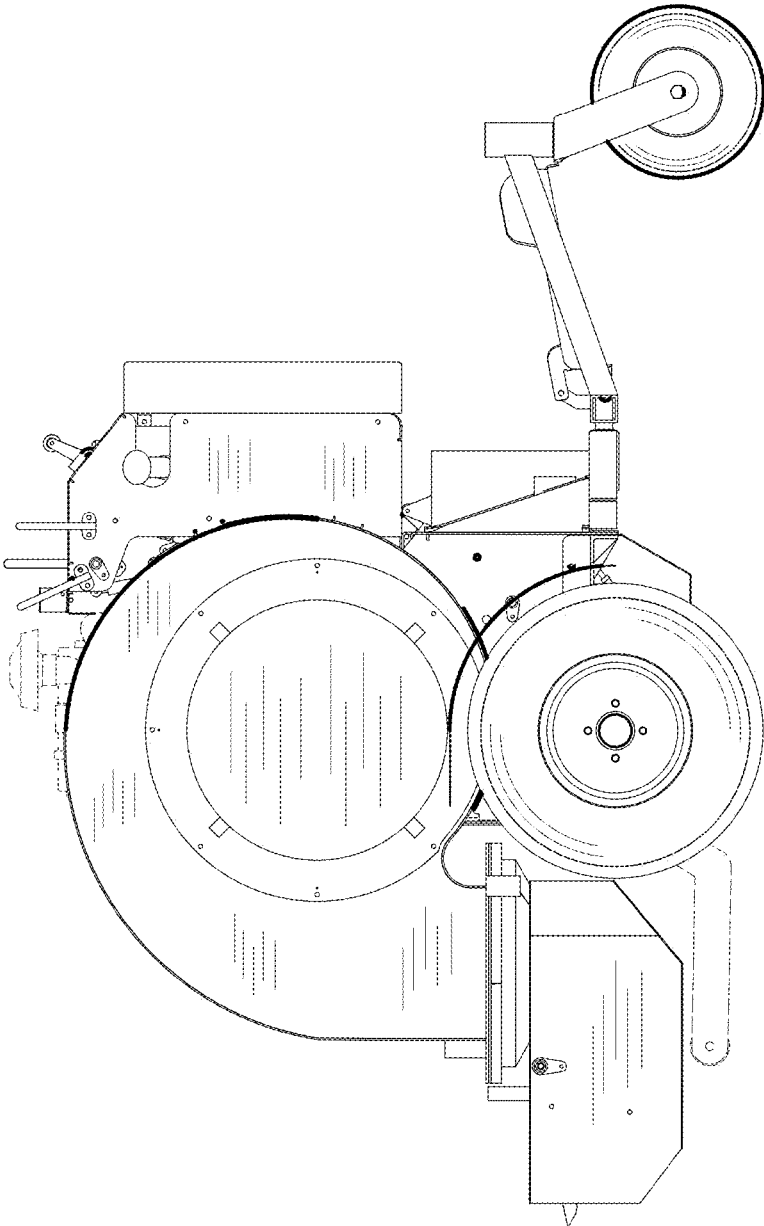


FIG. 6

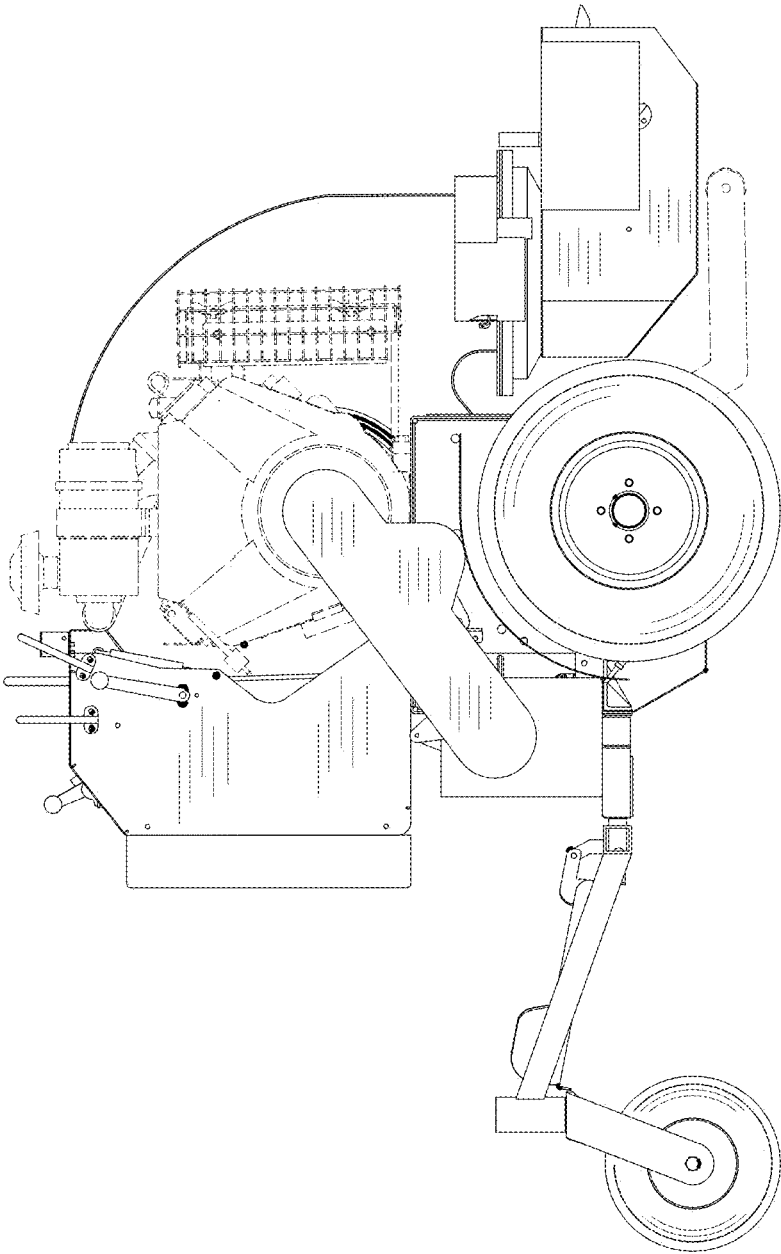


FIG. 7

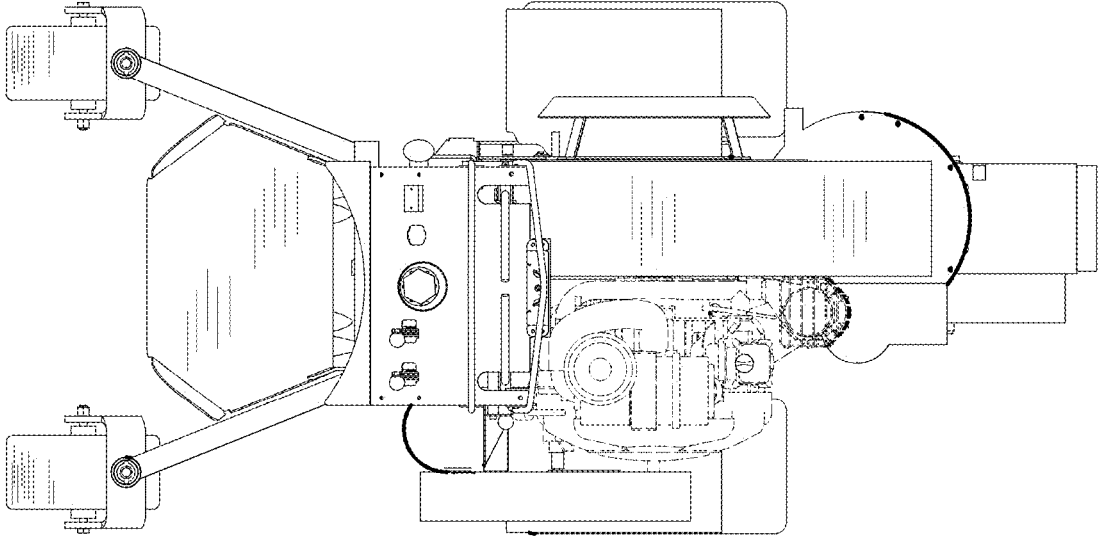


FIG. 8

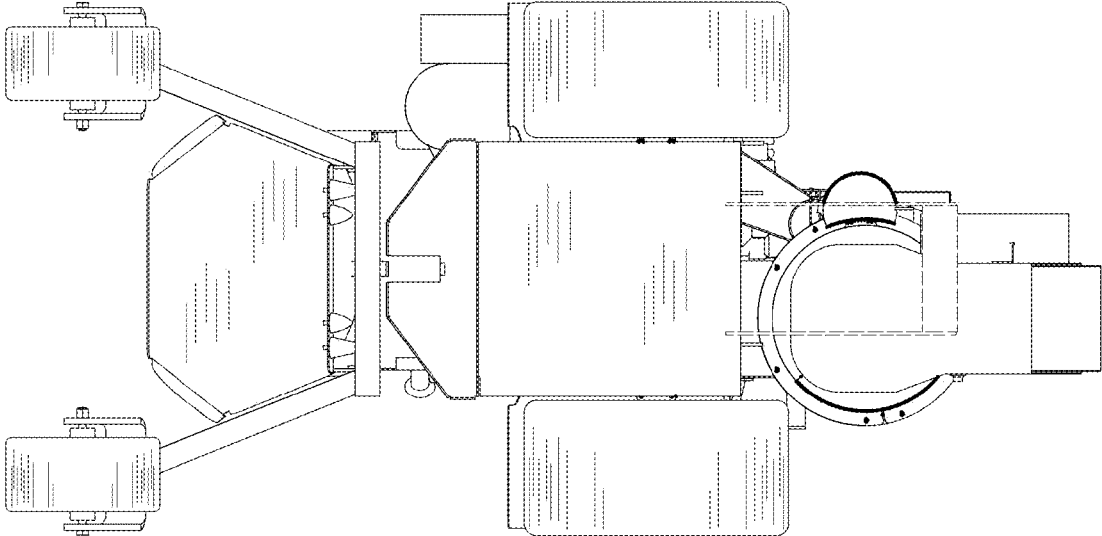


FIG. 9