



US00D974083S

(12) **United States Design Patent**
Ma

(10) **Patent No.:** **US D974,083 S**

(45) **Date of Patent:** **** Jan. 3, 2023**

(54) **STORAGE DRAWER CABINET**

(71) Applicant: **Xuebin Ma**, Shantou (CN)

(72) Inventor: **Xuebin Ma**, Shantou (CN)

(**) Term: **15 Years**

(21) Appl. No.: **29/789,221**

(22) Filed: **Sep. 10, 2021**

(51) **LOC (14) Cl.** **06-04**

(52) **U.S. Cl.**

USPC **D6/663**

(58) **Field of Classification Search**

USPC D6/663, 664, 664.1, 671, 671.1, 671.2,
D6/671.3, 671.4, 705, 705.1, 705.5;
D3/273, 294, 295, 296, 297, 298

CPC A47B 17/04; A47B 47/00; A47B 47/04;
A47B 57/00; A47B 67/00; A47B 67/04;
A47B 88/00; A47B 88/40; A47B 88/42;
A47B 88/402; A47B 88/407; A47B
88/413; A47B 88/417; A47B 88/433;
A47B 88/90; A47B 88/944; A47B
87/0284; A47B 43/00

See application file for complete search history.

(56) **References Cited**

U.S. PATENT DOCUMENTS

D203,826 S * 2/1966 Allen, Jr. et al. D6/663
D331,334 S 12/1992 Hollington

D360,778 S * 8/1995 Apt, III D6/663
D386,336 S 11/1997 Douglas
D518,708 S * 4/2006 Ohayon D6/705
D740,563 S * 10/2015 Yamamoto D3/297
D785,326 S * 5/2017 Yamamoto D3/297
D785,328 S * 5/2017 Yamamoto D3/297
D785,329 S * 5/2017 Yamamoto D3/297
D855,987 S * 8/2019 Yamamoto D3/297
D944,012 S * 2/2022 Strum D3/901

* cited by examiner

Primary Examiner — Mimosa De

(74) *Attorney, Agent, or Firm* — Jeenam Park

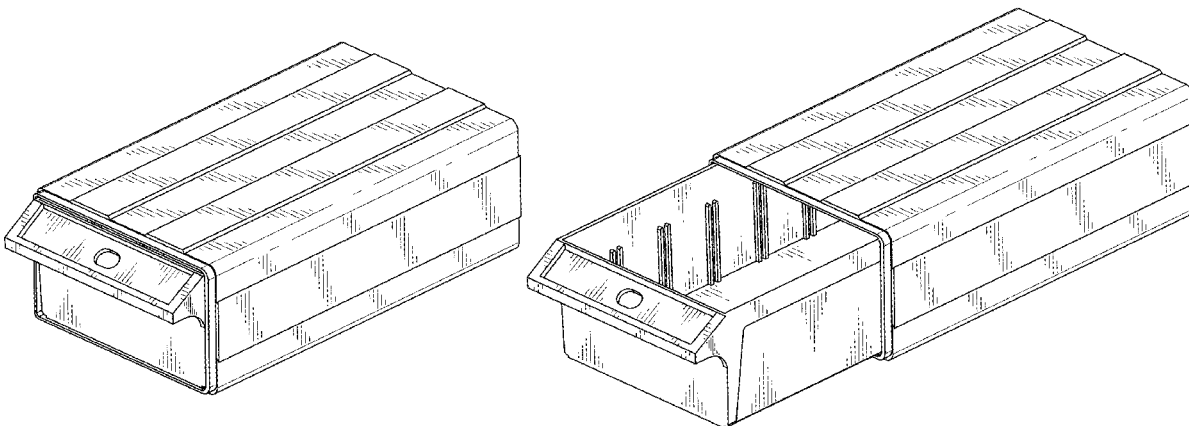
(57) **CLAIM**

The ornamental design for a storage drawer cabinet, as shown and described.

DESCRIPTION

FIG. 1 is a perspective view of a storage drawer cabinet, showing my new design;
FIG. 2 is a view of use state;
FIG. 3 is a front view thereof;
FIG. 4 is a rear view thereof;
FIG. 5 is a left side view thereof;
FIG. 6 is a right side view thereof;
FIG. 7 is a top plan view thereof; and,
FIG. 8 is a bottom plan view thereof.

1 Claim, 8 Drawing Sheets



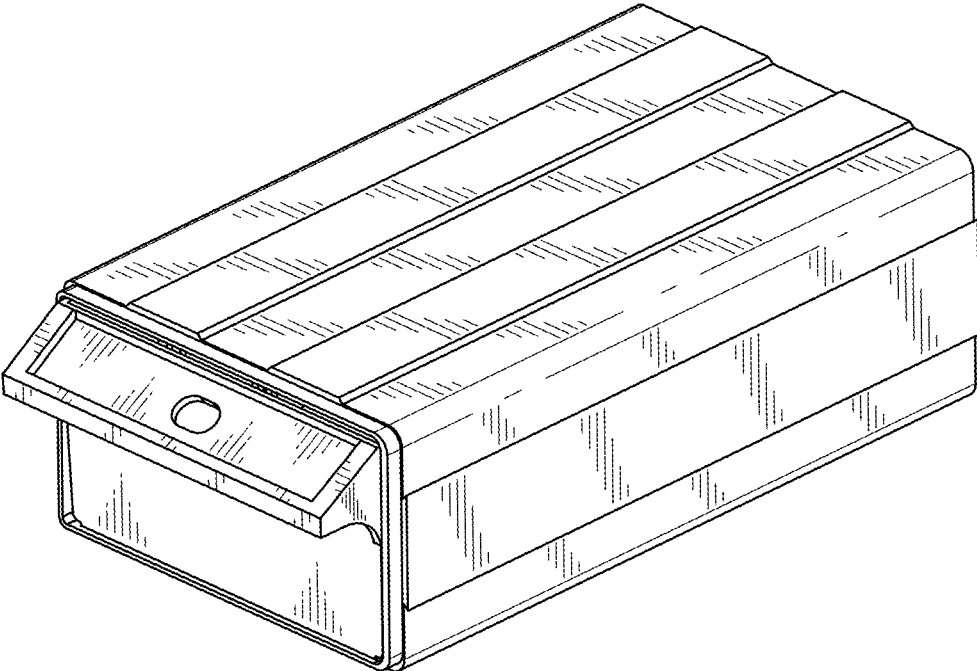


FIG. 1

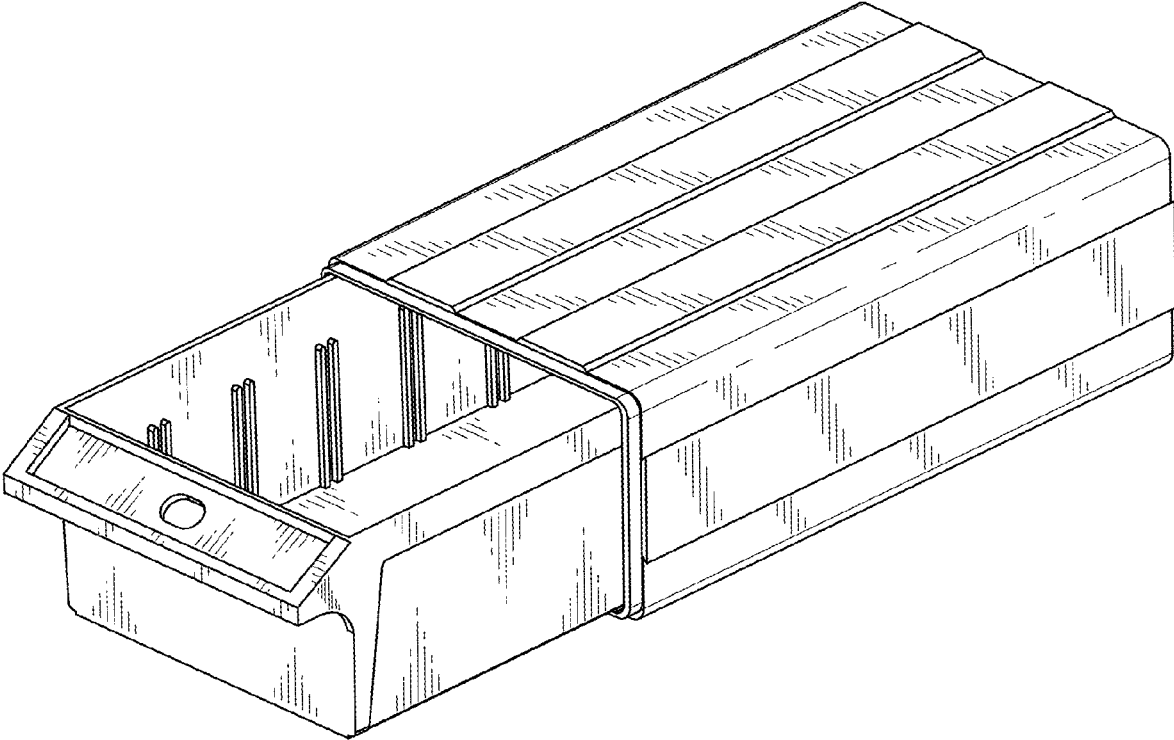


FIG. 2

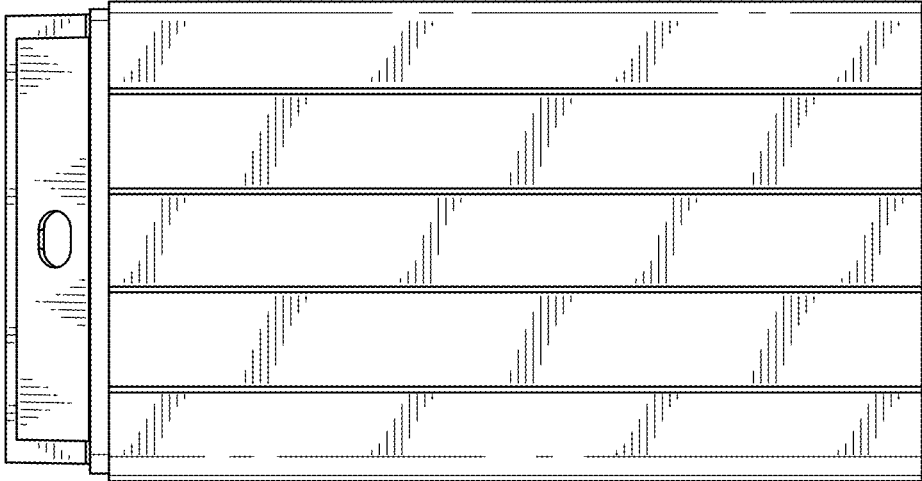


FIG. 3

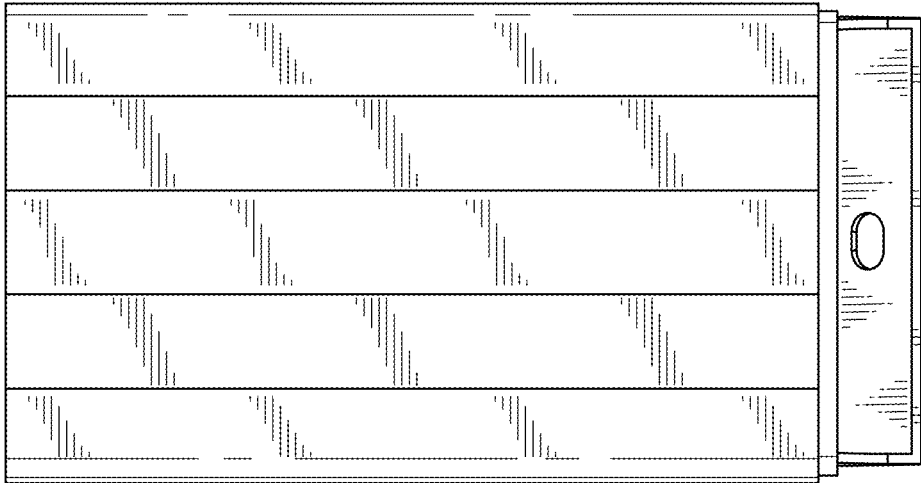


FIG. 4

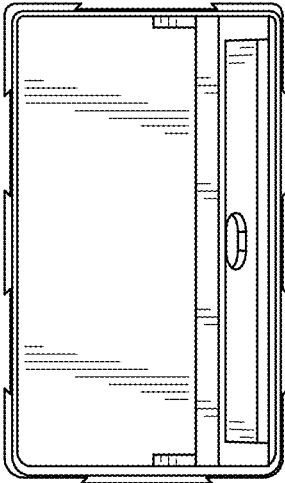


FIG. 5

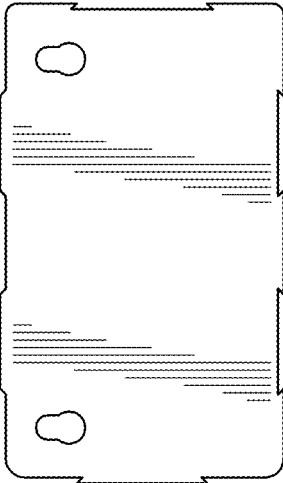


FIG. 6

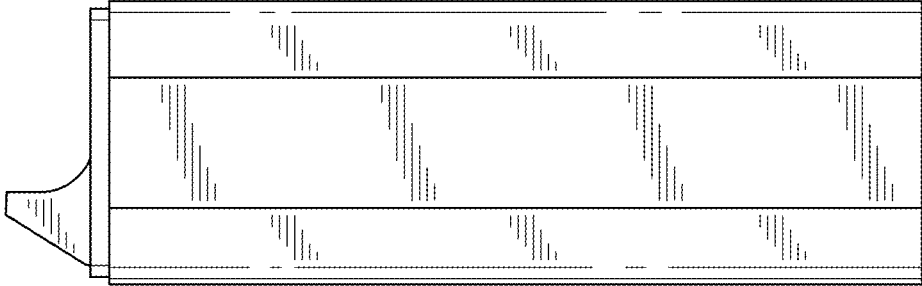


FIG. 7

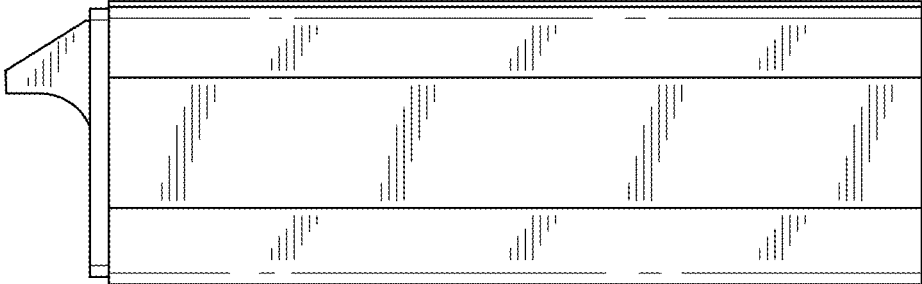


FIG. 8