



US00D494579S1

(12) **United States Design Patent**
Chuang et al.

(10) **Patent No.:** **US D494,579 S**

(45) **Date of Patent:** **** Aug. 17, 2004**

(54) **MULTIMEDIA CENTER PERSONAL COMPUTER**

D440,212 S * 4/2001 Clapper D14/125
D457,158 S * 5/2002 Awamori et al. D14/356

(75) Inventors: **Meng-Ju Chuang**, Taipei (TW);
Ping-Hung Chen, Taipei (TW);
Jeng-Cheng Lai, Taipei (TW)

* cited by examiner

Primary Examiner—Freda S. Nunn
(74) *Attorney, Agent, or Firm*—Bacon & Thomas PLLC

(73) Assignee: **Tatung, Co., Ltd.**, Taipei (TW)

(57) **CLAIM**

(**) Term: **14 Years**

The ornamental design for the multimedia center personal computer, as shown and described.

(21) Appl. No.: **29/195,168**

DESCRIPTION

(22) Filed: **Dec. 9, 2003**

(51) **LOC (7) Cl.** **14-02**

(52) **U.S. Cl.** **D14/314**

(58) **Field of Search** D14/125, 349,
D14/351–356; D13/162, 184, 199; 312/223.1,
223.3; 360/99.01–99.12; 361/680–686,
690–696; 369/34.01, 36.01

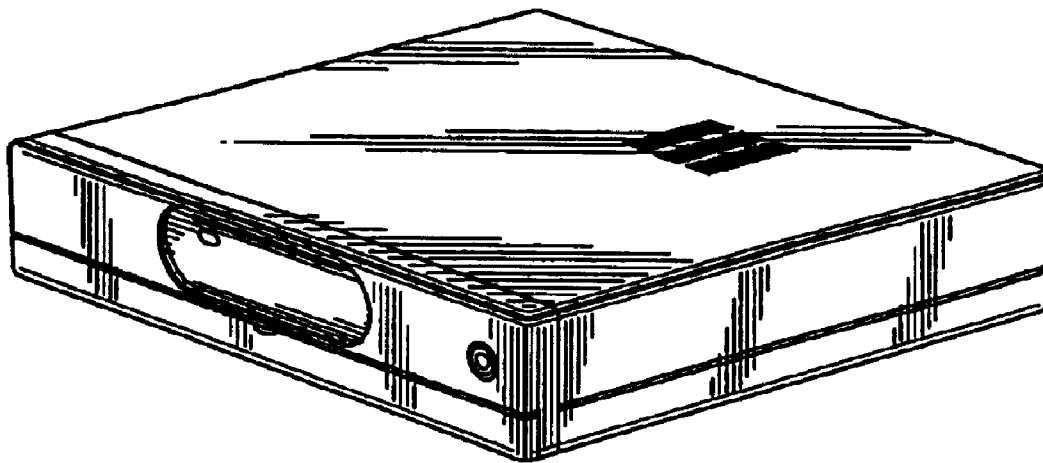
FIG. 1 is a front view thereof;
FIG. 2 is a rear view thereof;
FIG. 3 is a left side view thereof;
FIG. 4 is a right side view thereof;
FIG. 5 is a top view thereof;
FIG. 6 is a bottom view thereof; and,
FIG. 7 is a perspective view of a first embodiment of a multimedia center personal computer showing our new design.

(56) **References Cited**

U.S. PATENT DOCUMENTS

D325,194 S * 4/1992 Kline et al. D14/354

1 Claim, 3 Drawing Sheets



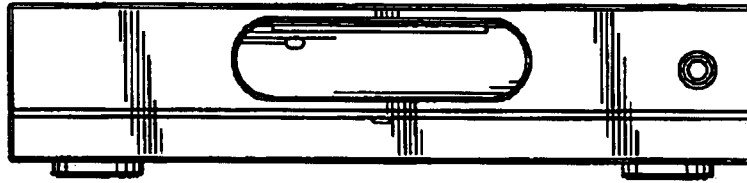


FIG. 1

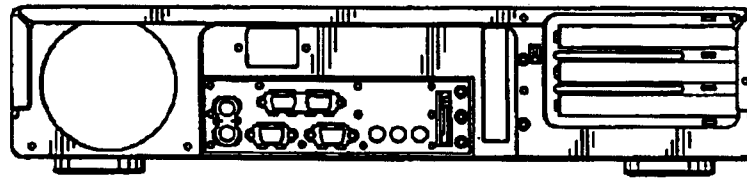


FIG. 2

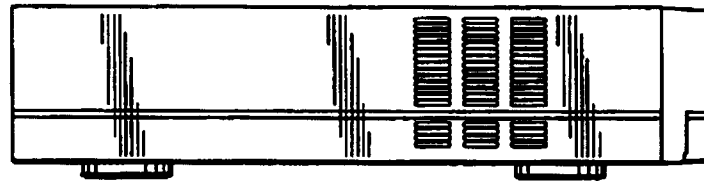


FIG. 3

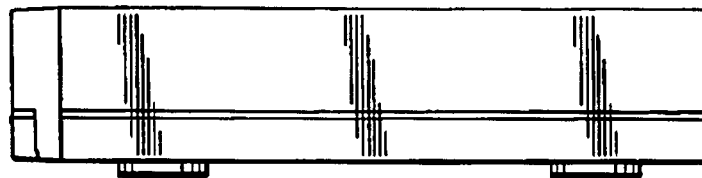


FIG. 4

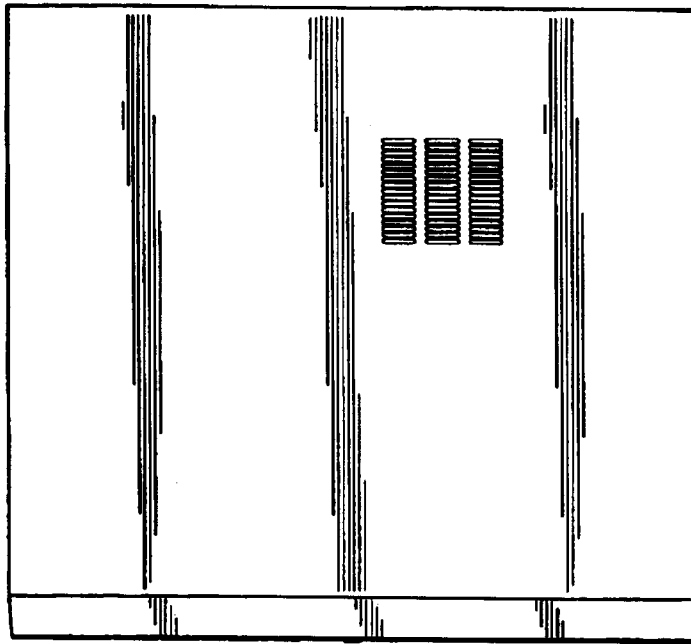


FIG. 5

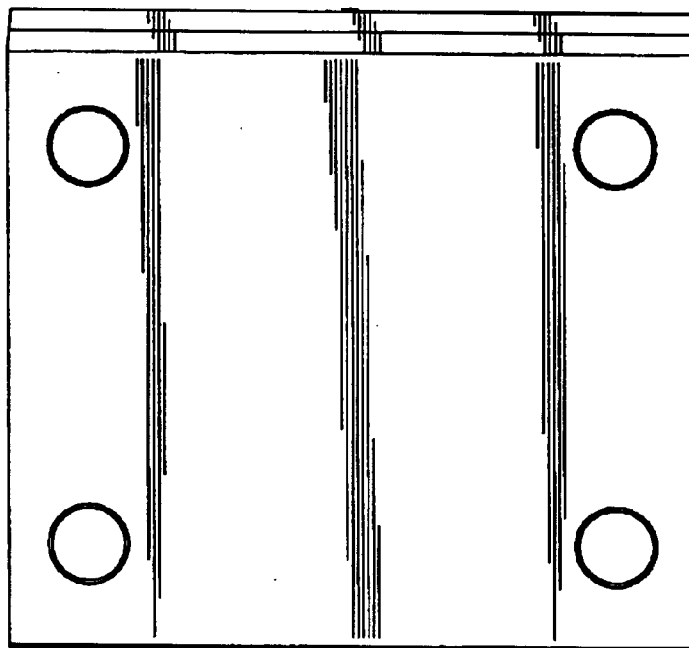


FIG. 6

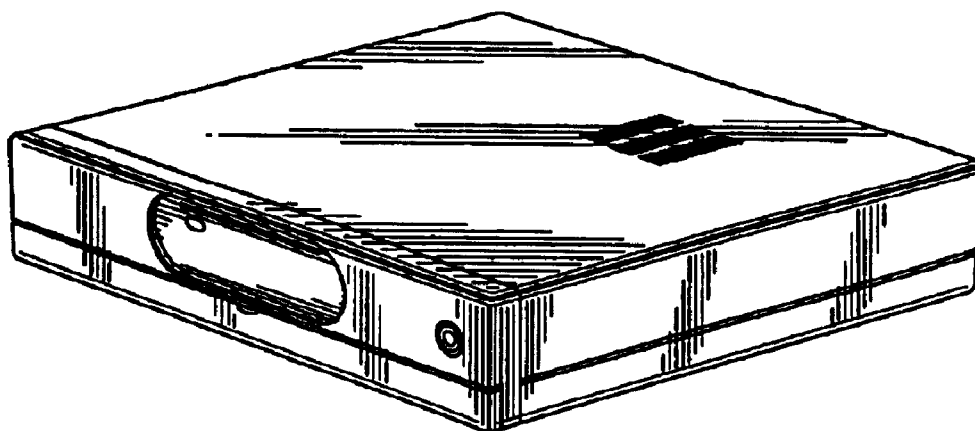


FIG. 7