



US00D948666S

(12) **United States Design Patent**
Miller

(10) **Patent No.:** **US D948,666 S**

(45) **Date of Patent:** **** Apr. 12, 2022**

- (54) **FAUCET SPRAYHEAD**
- (71) Applicant: **DELTA FAUCET COMPANY**,
Indianapolis, IN (US)
- (72) Inventor: **Julia Miller**, Naperville, IL (US)
- (73) Assignee: **DELTA FAUCET COMPANY**,
Indianapolis, IN (US)

D614,264 S *	4/2010	Downey	D23/250
7,871,020 B2 *	1/2011	Nelson	E03C 1/0404 239/445
D646,761 S *	10/2011	Sedwick	D23/226
D652,489 S *	1/2012	Bosio	D23/255
D683,430 S *	5/2013	Spangler	D23/238
D713,508 S *	9/2014	Downey	D23/238
D762,281 S *	7/2016	Byron	D23/229
9,545,639 B2 *	1/2017	Meehan	B05B 1/1627
D842,429 S *	3/2019	Huang	D23/213

(Continued)

(**) Term: **15 Years**

(21) Appl. No.: **29/748,408**

(22) Filed: **Aug. 28, 2020**

(51) **LOC (13) Cl.** **23-01**

(52) **U.S. Cl.**
USPC **D23/226**

(58) **Field of Classification Search**
 USPC D23/213, 214, 223, 226, 228, 229, 230,
 D23/238, 239, 240, 241, 242, 249, 250,
 D23/255, 257
 CPC B05B 1/16; B05B 1/1618; B05B 1/18;
 B05B 1/185; B05B 15/62; B05B 15/652;
 F16K 31/60; F16K 31/607; E03C 1/02;
 E03C 1/04; E03C 1/0401; E03C 1/0402;
 E03C 1/0404; E03C 1/0405; E03C
 1/0408; E03C 1/06; E03C 1/063; E03C
 1/066; E03C 2001/0414; E03C
 2001/0415; Y10T 137/9464

See application file for complete search history.

(56) **References Cited**

U.S. PATENT DOCUMENTS

D487,135 S *	2/2004	Lord	D23/245
D488,210 S *	4/2004	Lord	D23/238
D550,326 S *	9/2007	Huang	D23/213
7,344,095 B1 *	3/2008	Hsu	B05B 1/1618 239/583
D582,521 S *	12/2008	Hanna	D23/249
7,533,683 B2 *	5/2009	Ortega	E03C 1/0403 137/15.18

OTHER PUBLICATIONS

Moen 7185SRS, Nov. 21, 2013, Amazon, site visited Aug. 2, 2021:
<https://www.amazon.com/dp/B00GUGTEVE/> (Year: 2013).*

(Continued)

Primary Examiner — Jack Reickel
Assistant Examiner — Bobby W Jones, II
 (74) *Attorney, Agent, or Firm* — Nirav D. Parikh; Edgar
 A. Zarins

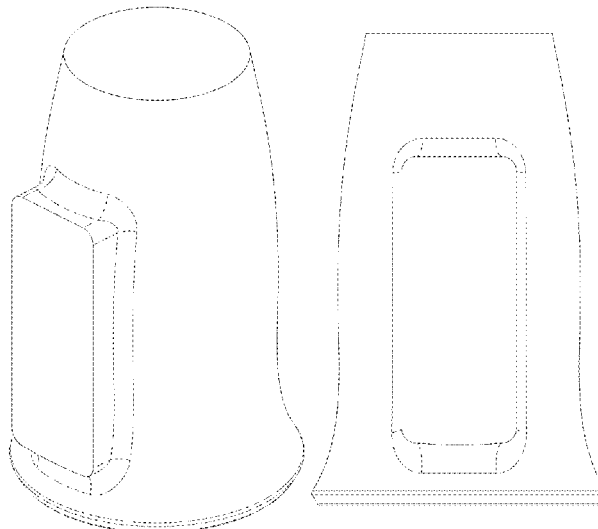
(57) **CLAIM**

The ornamental design for a faucet sprayhead, as shown and described.

DESCRIPTION

FIG. 1 is a front perspective view of a faucet sprayhead showing my new design;
 FIG. 2 is rear perspective view thereof;
 FIG. 3 is a front elevational view thereof;
 FIG. 4 is a left side view thereof;
 FIG. 5 is a rear view thereof;
 FIG. 6 is a right side view thereof;
 FIG. 7 is a top plan view thereof; and,
 FIG. 8 is a bottom view thereof.
 The broken lines shown in the figures depict portions of the faucet sprayhead that forms no part of the claimed design.

1 Claim, 4 Drawing Sheets



(56)

References Cited

U.S. PATENT DOCUMENTS

D862,651 S * 10/2019 Zeng D23/238
D872,234 S * 1/2020 Stoler D23/238
D884,831 S * 5/2020 Liang D23/213
10,738,899 B2 * 8/2020 Chang F16K 11/078
D910,146 S * 2/2021 Zhang D23/225
D919,756 S * 5/2021 Zhang D23/238
2007/0170284 A1 * 7/2007 Nelson E03C 1/0404
239/443
2007/0252022 A1 * 11/2007 Benstead B05B 1/3026
239/590.5
2017/0101765 A1 * 4/2017 Song E03C 1/0403
2018/0126393 A1 * 5/2018 Wang B05B 1/185
2020/0041012 A1 * 2/2020 Chang E03C 1/025
2020/0340221 A1 * 10/2020 Peng E03C 1/04
2021/0015247 A1 * 1/2021 Wu A46B 11/063

OTHER PUBLICATIONS

Geaton Touchless Kitchen Faucet, Oct. 8, 2019, Amazon, site visited Jul. 12, 2021: <https://www.amazon.ca/dp/B082XXL6C1/> (Year: 2019).*

* cited by examiner

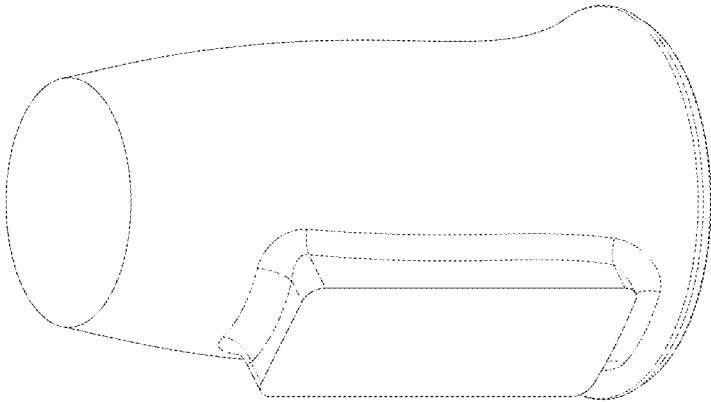


FIG - 2

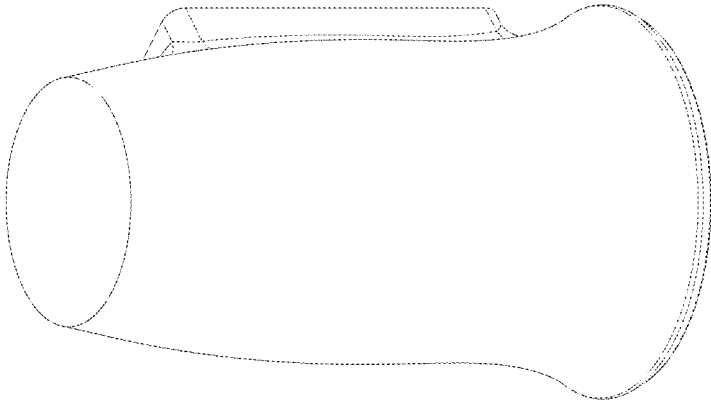


FIG - 1

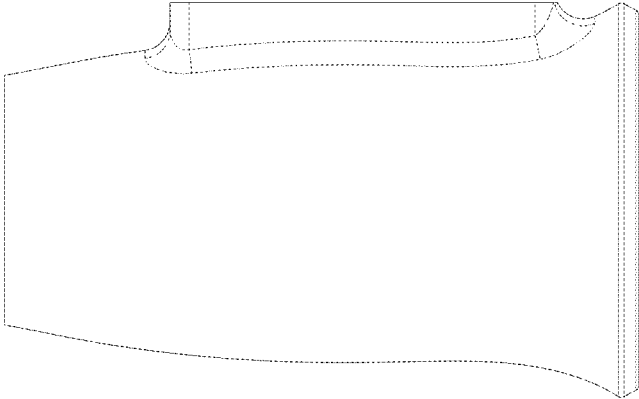


FIG - 4

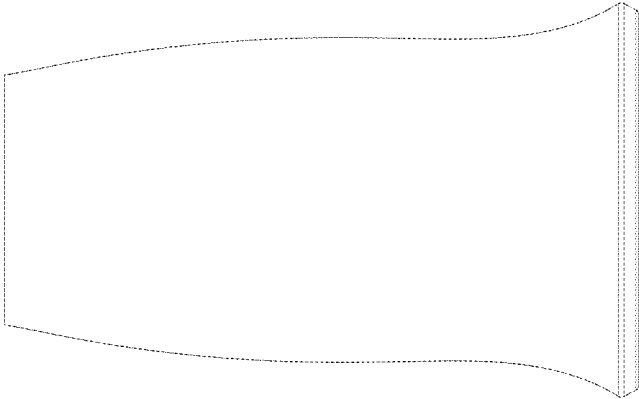


FIG - 3

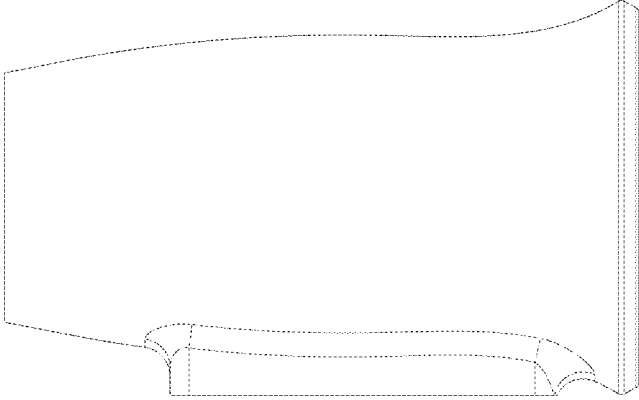


FIG - 6

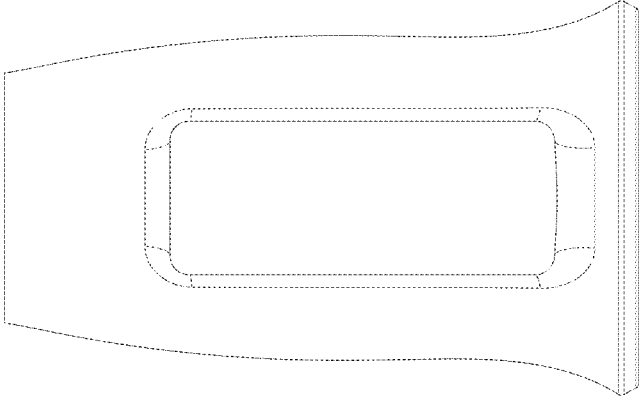


FIG - 5

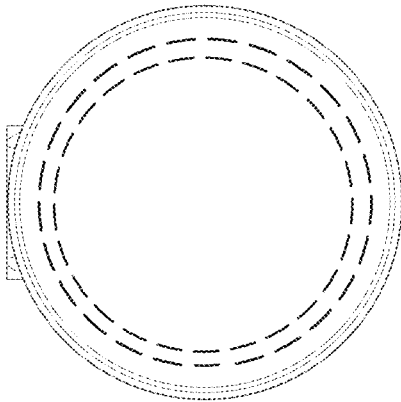


FIG - 8

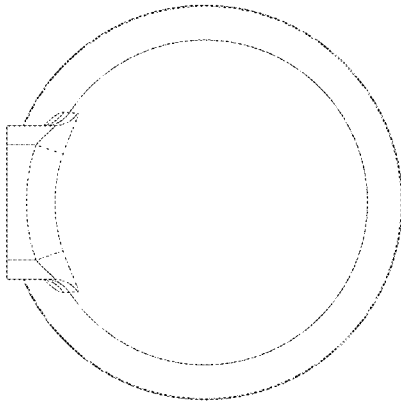


FIG - 7