

(19) World Intellectual Property Organization
International Bureau



(43) International Publication Date
4 September 2008 (04.09.2008)

PCT

(10) International Publication Number
WO 2008/106078 A3

(51) International Patent Classification:
A61C 5/00 (2006.01)

(74) Agent: RYAN, John, W.; Crowell & Moring LLP, P.O. Box 14300, Washington, DC 20044-4300 (US).

(21) International Application Number:
PCT/US2008/002445

(81) Designated States (unless otherwise indicated, for every kind of national protection available): AE, AG, AL, AM, AO, AT, AU, AZ, BA, BB, BG, BH, BR, BW, BY, BZ, CA, CH, CN, CO, CR, CU, CZ, DE, DK, DM, DO, DZ, EC, EE, EG, ES, FI, GB, GD, GE, GH, GM, GT, HN, HR, HU, ID, IL, IN, IS, JP, KE, KG, KM, KN, KP, KR, KZ, LA, LC, LK, LR, LS, LT, LU, LY, MA, MD, ME, MG, MK, MN, MW, MX, MY, MZ, NA, NG, NI, NO, NZ, OM, PG, PH, PL, PT, RO, RS, RU, SC, SD, SE, SG, SK, SL, SM, SV, SY, TJ, TM, TN, TR, TT, TZ, UA, UG, US, UZ, VC, VN, ZA, ZM, ZW.

(22) International Filing Date:
26 February 2008 (26.02.2008)

(25) Filing Language: English

(26) Publication Language: English

(30) Priority Data:
11/680,159 28 February 2007 (28.02.2007) US

(84) Designated States (unless otherwise indicated, for every kind of regional protection available): ARIPO (BW, GH, GM, KE, LS, MW, MZ, NA, SD, SL, SZ, TZ, UG, ZM, ZW), Eurasian (AM, AZ, BY, KG, KZ, MD, RU, TJ, TM), European (AT, BE, BG, CH, CY, CZ, DE, DK, EE, ES, FI, FR, GB, GR, HR, HU, IE, IS, IT, LT, LU, LV, MC, MT, NL, NO, PL, PT, RO, SE, SI, SK, TR), OAPI (BF, BJ, CF, CG, CI, CM, GA, GN, GQ, GW, ML, MR, NE, SN, TD, TG).

(71) Applicant (for all designated States except US):
DEN-MAT HOLDINGS LLC [US/US]; 2727 Skyway Drive, Santa Maria, CA 93455 (US).

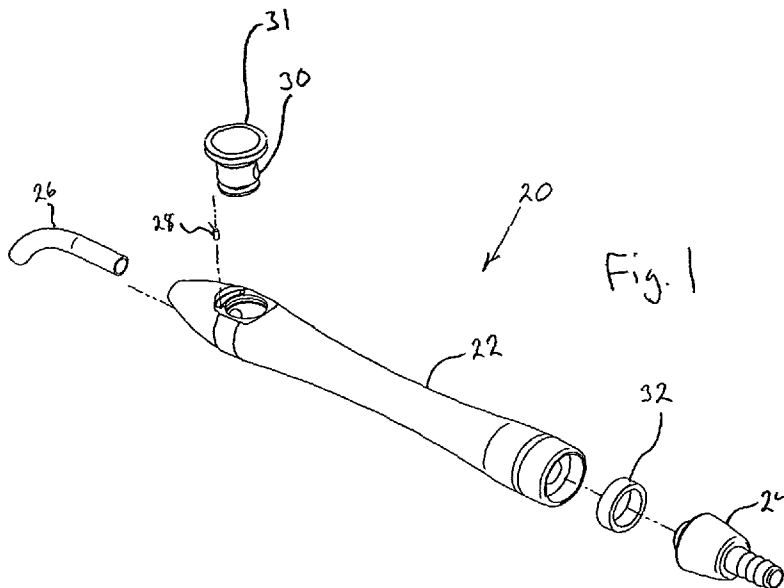
(72) Inventors; and

(75) Inventors/Applicants (for US only): MEEKER, Irving, A. [US/US]; 911 S. Oakland Avenue, Pasadena, CA 91006 (US). IBSEN, Robert, L. [US/US]; 2727 Skyway Drive, Santa Maria, CA 93455 (US).

Published:
— with international search report

[Continued on next page]

(54) Title: IMPROVED DENTAL VENEER INSTRUMENT



(57) Abstract: A device adapted to facilitate retention and release of a dental laminate includes an elongated main body having a channel extending through it, a resilient element connected to a first end of the main body for contact with the dental laminate, a connector disposed at a second end of the main body adapted to communicate the channel with vacuum suction, and a particularly configured valve body. The valve body includes a passage defined therein that is selectively rotatable between increased and decreased alignments with the main body channel to permit variable fluid flow through the channel as well as to essentially cut off fluid flow through the channel when desired. A bearing assembly is also disposed between an extension of the connector and a proximal portion of the elongated main body, thereby permitting essentially stress-free rotational movement between the connector and the main body.



WO 2008/106078 A3



— *before the expiration of the time limit for amending the claims and to be republished in the event of receipt of amendments*

(88) Date of publication of the international search report:
6 November 2008

INTERNATIONAL SEARCH REPORT

International application No.

PCT/US08/02445

A. CLASSIFICATION OF SUBJECT MATTER
 IPC: **A61C 5/00(2006.01)**

USPC: **433/49**
 According to International Patent Classification (IPC) or to both national classification and IPC

B. FIELDS SEARCHED

Minimum documentation searched (classification system followed by classification symbols)
 U.S. : 433/49, 141, 162, 163, 96, 97, 100

Documentation searched other than minimum documentation to the extent that such documents are included in the fields searched

Electronic data base consulted during the international search (name of data base and, where practicable, search terms used)
 EAST

C. DOCUMENTS CONSIDERED TO BE RELEVANT

Category *	Citation of document, with indication, where appropriate, of the relevant passages	Relevant to claim No.
X --- Y	US 5,040,981 A (OLIVA) 20 August 1991 (20.08.1991), entire document.	1-8, 19-20 ----- 9-18
Y	US 4,822,278 A (OLIVA et al.) 18 April 1989 (18.04.1989), entire document.	9-18

Further documents are listed in the continuation of Box C. See patent family annex.

* Special categories of cited documents:	
"A" document defining the general state of the art which is not considered to be of particular relevance	"T" later document published after the international filing date or priority date and not in conflict with the application but cited to understand the principle or theory underlying the invention
"E" earlier application or patent published on or after the international filing date	"X" document of particular relevance; the claimed invention cannot be considered novel or cannot be considered to involve an inventive step when the document is taken alone
"L" document which may throw doubts on priority claim(s) or which is cited to establish the publication date of another citation or other special reason (as specified)	"Y" document of particular relevance; the claimed invention cannot be considered to involve an inventive step when the document is combined with one or more other such documents, such combination being obvious to a person skilled in the art
"O" document referring to an oral disclosure, use, exhibition or other means	"&" document member of the same patent family
"P" document published prior to the international filing date but later than the priority date claimed	

Date of the actual completion of the international search 21 August 2008 (21.08.2008)	Date of mailing of the international search report 25 AUG 2008
--	--

Name and mailing address of the ISA/US Mail Stop PCT, Attn: ISA/US Commissioner for Patents P.O. Box 1450 Alexandria, Virginia 22313-1450 Facsimile No. (571) 273-3201	Authorized officer <i>Joyce Bridges</i> Telephone No. (571) 272-1600
---	--