

(19) World Intellectual Property Organization  
International Bureau



(10) International Publication Number  
**WO 2010/105167 A3**

(43) International Publication Date  
16 September 2010 (16.09.2010)

(51) International Patent Classification:  
*B65D 21/02* (2006.01)    *B65D 19/00* (2006.01)  
*B65D 1/00* (2006.01)

(21) International Application Number:  
PCT/US2010/027153

(22) International Filing Date:  
12 March 2010 (12.03.2010)

(25) Filing Language: English

(26) Publication Language: English

(30) Priority Data:  
12/403,723    13 March 2009 (13.03.2009)    US

(71) Applicant (for all designated States except US): **ORBIS CORPORATION** [US/US]; 1055 Corporate Center Drive, Oconomowoc, WI 53066 (US).

(72) Inventor; and

(75) Inventor/Applicant (for US only): **STAHL, Edward, L.** [US/US]; 7115 Walden Drive, Tyler, TX 75703 (US).

(74) Agent: **HIMELHOCH, Richard, C.**; Ungaretti & Harris LLP, 70 West Madison Street, Suite 3500, Chicago, IL 60602-4224 (US).

(81) Designated States (unless otherwise indicated, for every kind of national protection available): AE, AG, AL, AM,

AO, AT, AU, AZ, BA, BB, BG, BH, BR, BW, BY, BZ, CA, CH, CL, CN, CO, CR, CU, CZ, DE, DK, DM, DO, DZ, EC, EE, EG, ES, FI, GB, GD, GE, GH, GM, GT, HN, HR, HU, ID, IL, IN, IS, JP, KE, KG, KM, KN, KP, KR, KZ, LA, LC, LK, LR, LS, LT, LU, LY, MA, MD, ME, MG, MK, MN, MW, MX, MY, MZ, NA, NG, NI, NO, NZ, OM, PE, PG, PH, PL, PT, RO, RS, RU, SC, SD, SE, SG, SK, SL, SM, ST, SV, SY, TH, TJ, TM, TN, TR, TT, TZ, UA, UG, US, UZ, VC, VN, ZA, ZM, ZW.

(84) Designated States (unless otherwise indicated, for every kind of regional protection available): ARIPO (BW, GH, GM, KE, LS, MW, MZ, NA, SD, SL, SZ, TZ, UG, ZM, ZW), Eurasian (AM, AZ, BY, KG, KZ, MD, RU, TJ, TM), European (AT, BE, BG, CH, CY, CZ, DE, DK, EE, ES, FI, FR, GB, GR, HR, HU, IE, IS, IT, LT, LU, LV, MC, MK, MT, NL, NO, PL, PT, RO, SE, SI, SK, SM, TR), OAPI (BF, BJ, CF, CG, CI, CM, GA, GN, GQ, GW, ML, MR, NE, SN, TD, TG).

Published:

— with international search report (Art. 21(3))

(88) Date of publication of the international search report:  
13 January 2011

(54) Title: MULTIPLE CAP SIZE BOTTLE CRATE

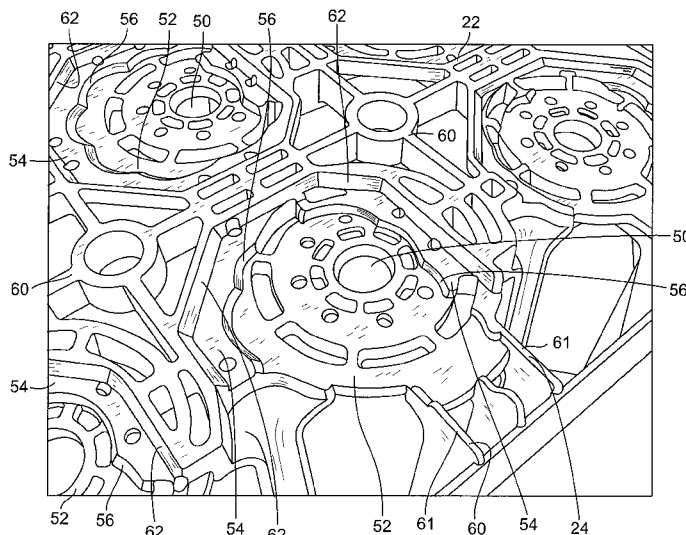
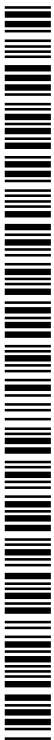


FIG. 7

(57) Abstract: A beverage crate having a bottom wall, a first side wall, a second side wall, a first end wall and a second end wall. The bottom wall includes a lower surface having structure to allow the beverage crate to securely stack on a plurality of bottles having a first cap size or a plurality of bottles having a second cap size. The lower surface of the bottom wall including a plurality of bottle receiving portions where each bottle receiving portion includes a first cap size wall portion and a second cap size wall portion.



WO 2010/105167 A3

**A. CLASSIFICATION OF SUBJECT MATTER*****B65D 21/02(2006.01)i, B65D 1/00(2006.01)i, B65D 19/00(2006.01)i***

According to International Patent Classification (IPC) or to both national classification and IPC

**B. FIELDS SEARCHED**

Minimum documentation searched (classification system followed by classification symbols)

B65D 21/02; B65D 75/00; B65D 21/00; B65D 85/00

Documentation searched other than minimum documentation to the extent that such documents are included in the fields searched

Korean utility models and applications for utility models

Japanese utility models and applications for utility models

Electronic data base consulted during the international search (name of data base and, where practicable, search terms used)

eKOMPASS(KIPO internal) &amp; Keywords: 'stack','crate','bottle','cap'

**C. DOCUMENTS CONSIDERED TO BE RELEVANT**

Category*	Citation of document, with indication, where appropriate, of the relevant passages	Relevant to claim No.
X Y	US 5967306 A1 (UMIKER, HANS) 19 October 1999 See columns 3 and 4; and figures 1-5.	1-6,9-15,18-20 7-8,16-17
Y	US 2001-0015329 A1 (APPS, WILLIAM P. et al.) 23 August 2001 See figures 1, 5 and 6; and paragraph [0019].	7-8,16-17
A	US 6082542 A1 (MCGRATH, PATRICK JAMES et al.) 04 July 2000 See figures 7-11; and claims 1-10.	1-20
A	US 4899874 A1 (APPS, WILLIAM P. et al.) 13 February 1990 See figure 9 and abstract.	1-20
A	US 5305884 A1 (APPS, WILLIAM P. et al.) 26 April 1994 See figures 16-17; and abstract.	1-20
A	US 5651459 A1 (UMIKER, HANS) 29 July 1997 See figure 1 and abstract.	1-20

 Further documents are listed in the continuation of Box C. See patent family annex.

\* Special categories of cited documents:

"A" document defining the general state of the art which is not considered to be of particular relevance

"E" earlier application or patent but published on or after the international filing date

"L" document which may throw doubts on priority claim(s) or which is cited to establish the publication date of citation or other special reason (as specified)

"O" document referring to an oral disclosure, use, exhibition or other means

"P" document published prior to the international filing date but later than the priority date claimed

"T" later document published after the international filing date or priority date and not in conflict with the application but cited to understand the principle or theory underlying the invention

"X" document of particular relevance; the claimed invention cannot be considered novel or cannot be considered to involve an inventive step when the document is taken alone

"Y" document of particular relevance; the claimed invention cannot be considered to involve an inventive step when the document is combined with one or more other such documents, such combination being obvious to a person skilled in the art

"&amp;" document member of the same patent family

Date of the actual completion of the international search

26 OCTOBER 2010 (26.10.2010)

Date of mailing of the international search report

**26 OCTOBER 2010 (26.10.2010)**

Name and mailing address of the ISA/KR

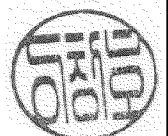
Korean Intellectual Property Office  
Government Complex-Daejeon, 139 Seonsa-ro, Seo-  
gu, Daejeon 302-701, Republic of Korea

Facsimile No. 82-42-472-7140

Authorized officer

LEE Chang Ho

Telephone No. 82-42-481-8435



**INTERNATIONAL SEARCH REPORT**

Information on patent family members

International application No.

**PCT/US2010/027153**

Patent document cited in search report	Publication date	Patent family member(s)	Publication date
US 5967306 A1	19.10.1999	EP 0901967 A2	17.03.1999
		EP 0901967 A3	22.12.1999
		JP 11-139434 A	25.05.1999
US 2001-0015329 A1	23.08.2001	AU 1996-47609 B2	17.12.1998
		AU 1998-87895 B2	03.06.1999
		AU 1998-87896 B2	03.06.1999
		CA 2212083 C	16.10.2001
		CA 2218138 C	28.05.2002
		CA 2255699 C	24.10.2006
		CN 1050814 C	29.03.2000
		CN 1060127 C	03.01.2001
		CN 1070804 C	12.09.2001
		CN 1113783 C	09.07.2003
		CN 1113784 C	09.07.2003
		CN 1113785 C	09.07.2003
		CN 1145610 A	19.03.1997
		CN 1145610 CO	19.03.1997
		CN 1183750 A	03.06.1998
		CN 1183750 CO	03.06.1998
		CN 1185137 A	17.06.1998
		CN 1185137 CO	17.06.1998
		CN 1276324 A	13.12.2000
		CN 1276324 CO	13.12.2000
		CN 1276325 A	13.12.2000
		CN 1276325 CO	13.12.2000
		CN 1276326 A0	13.12.2000
		CN 1276326 CO	02.02.2005
		CN 1276327 A	13.12.2000
		CN 1276327 CO	13.12.2000
		EP 0741661 A1	21.07.1999
		EP 0741661 B1	02.11.2000
		EP 0808279 A1	24.11.1999
		EP 0808279 A1	26.11.1997
		EP 0808279 B1	07.09.2005
		EP 0817750 A1	11.06.2003
		EP 0817750 A4	15.07.1998
EP 0817750 B1	31.03.2004		
JP 03-081249 B2	23.06.2000		
JP 03-588118 B2	10.11.2004		
JP 09-511474 A	18.11.1997		
JP 10-513138 A	15.12.1998		
JP 11-503699 A	30.03.1999		
KR 10-0356879 B1	09.05.2003		
KR 10-0390135 B1	19.09.2003		
US 2001-0019063 A1	06.09.2001		
US 2008-0067097 A1	20.03.2008		
US 5465843 A1	14.11.1995		
US 5529176 A1	25.06.1996		

## INTERNATIONAL SEARCH REPORT

Information on patent family members

International application No.

**PCT/US2010/027153**

Patent document cited in search report	Publication date	Patent family member(s)	Publication date
		US 5651461 A1	29.07.1997
		US 5660279 A1	26.08.1997
		US 5704482 A1	06.01.1998
		US 5842572 A1	01.12.1998
		US 5855277 A1	05.01.1999
		US 5979654 A1	09.11.1999
		US 7086531 B2	08.08.2006
		US 7311217 B2	25.12.2007
		WO 95-21113 A1	10.08.1995
		WO 96-23696 A1	08.08.1996
		WO 96-33104 A1	24.10.1996
		WO 96-40566 A1	19.12.1996
		WO 98-41453 A1	24.09.1998
US 6082542 A1	04.07.2000	None	
US 4899874 A1	13.02.1990	CN 1039224 A0	31.01.1990
		EP 0383838 A1	29.08.1990
		EP 0383838 A4	30.01.1991
		EP 0383838 B1	22.06.1994
		EP 0565207 A1	13.10.1993
		EP 0565207 B1	26.02.1997
		JP 02-820244 B2	28.08.1998
		JP 03-076788 B2	09.06.2000
		JP 10-324337 A	08.12.1998
		KR 10-0129857 B1	10.04.1998
		US 4978002 A1	18.12.1990
		WO 89-10306 A1	02.11.1989
US 5305884 A1	26.04.1994	EP 0616587 A1	28.09.1994
		EP 0616587 A4	15.11.1995
		EP 0616587 B1	10.06.1998
		US 5445273 A1	29.08.1995
		US 5495945 A1	05.03.1996
		WO 94-08862 A1	28.04.1994
		WO 95-10455 A1	20.04.1995
US 5651459 A1	29.07.1997	EP 0675832 A1	04.02.1998
		EP 0675832 A1	11.10.1995
		WO 95-12529 A1	11.05.1995