



US00D799637S

(12) **United States Design Patent**  
**Tschan et al.**

(10) **Patent No.:** **US D799,637 S**  
(45) **Date of Patent:** **\*\* Oct. 10, 2017**

(54) **AIR BLOWING GUN**

D388,298 S \* 12/1997 Jerdee ..... D8/29.1  
D481,277 S \* 10/2003 Waldron ..... D8/29.1  
7,340,846 B1 \* 3/2008 Jou ..... F26B 21/004  
239/433

(71) Applicant: **SATA GmbH & Co. KG,**  
Kornwestheim (DE)

(Continued)

(72) Inventors: **Alexander Tschan,** Kornwestheim  
(DE); **Detlef Redecker,** Denkendorf  
(DE)

**FOREIGN PATENT DOCUMENTS**

DE 9309202.4 8/1993

(73) Assignee: **SATA GMBH & CO. KG,**  
Kornwestheim (DE)

*Primary Examiner* — Phillip S Hyder

(74) *Attorney, Agent, or Firm* — Paul D. Bianco; Lourdes  
Perez; Fleit Gibbons Gutman Bongini & Bianco PL

(\*\*) Term: **15 Years**

(57) **CLAIM**

(21) Appl. No.: **29/548,103**

The ornamental design for an air blowing gun, as shown and  
described.

(22) Filed: **Dec. 10, 2015**

**DESCRIPTION**

(30) **Foreign Application Priority Data**

Jun. 10, 2015 (EM) ..... 002716142

(51) **LOC (10) Cl.** ..... **23-01**

(52) **U.S. Cl.**  
USPC ..... **D23/223**

(58) **Field of Classification Search**  
USPC ..... D8/29.1, 30, 68, 29.2; D23/223;  
D28/13, 17

CPC ..... F26B 21/004; F26B 21/00; F24H 3/0423;  
B05B 1/005; B05B 7/06

See application file for complete search history.

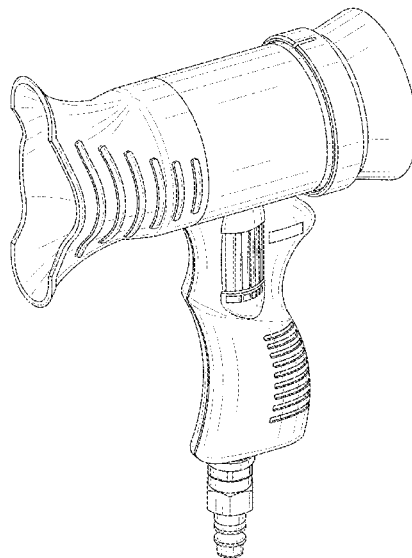
FIG. 1 is a perspective view of a first embodiment of an air  
blowing gun according to the present invention;  
FIG. 2 is right side view of the air blowing gun of FIG. 1;  
FIG. 3 is a left side view of the air blowing gun of FIG. 1;  
FIG. 4 is a front view of the air blowing gun of FIG. 1;  
FIG. 5 is a back view of the air blowing gun of FIG. 1;  
FIG. 6 is a top view of the air blowing gun of FIG. 1;  
FIG. 7 is a bottom view of the air blowing gun of FIG. 1;  
FIG. 8 is a perspective view of a second embodiment of an  
air blowing gun according to the present invention;  
FIG. 9 is right side view of the air blowing gun of FIG. 8;  
FIG. 10 is a left side view of the air blowing gun of FIG. 8;  
FIG. 11 is a front view of the air blowing gun of FIG. 8;  
FIG. 12 is a back view of the air blowing gun of FIG. 8;  
FIG. 13 is a top view of the air blowing gun of FIG. 8; and,  
FIG. 14 is a bottom view of the air blowing gun of FIG. 8.  
The broken lines depict portions of the air blowing gun in  
which the design is embodied that are not considered part of  
the claimed design.

(56) **References Cited**

**U.S. PATENT DOCUMENTS**

4,629,864 A \* 12/1986 Wilson ..... F24H 3/0423  
34/99  
4,683,370 A \* 7/1987 Petersen ..... F24H 3/0423  
34/667  
5,407,135 A \* 4/1995 Jeffs ..... B05B 1/005  
239/288

**1 Claim, 10 Drawing Sheets**



(56)

**References Cited**

U.S. PATENT DOCUMENTS

7,427,039	B1	9/2008	Jou	
D591,827	S *	5/2009	Huang	D23/223
D639,129	S *	6/2011	Van Wambeke	D8/29.1
D641,220	S *	7/2011	Shi	D8/29.1
D740,629	S *	10/2015	Furling	D8/29.1
D746,653	S *	1/2016	Furling	D8/29.1
2006/0018637	A1 *	1/2006	Lin	A45D 20/06 392/384

\* cited by examiner

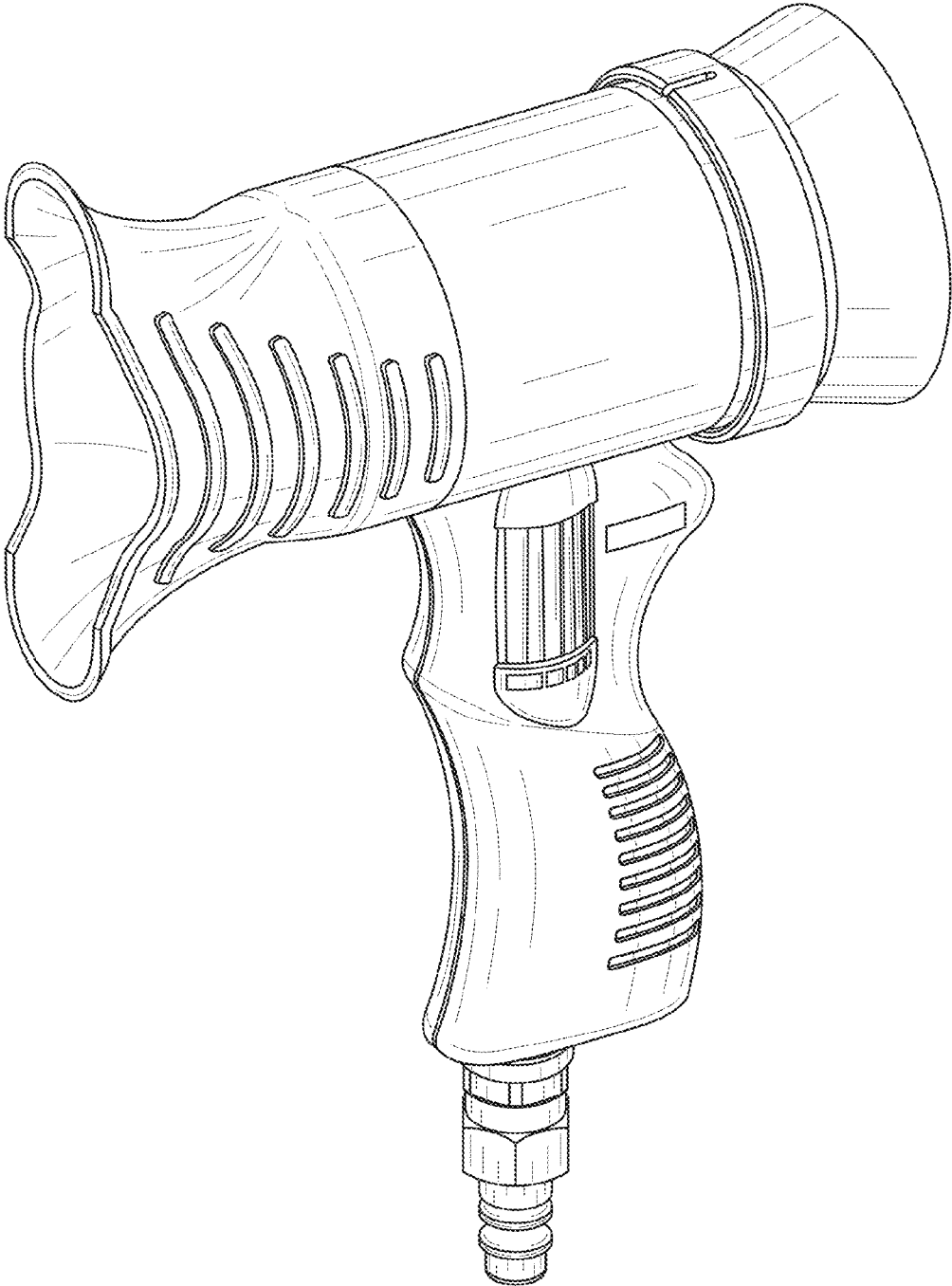


FIG. 1

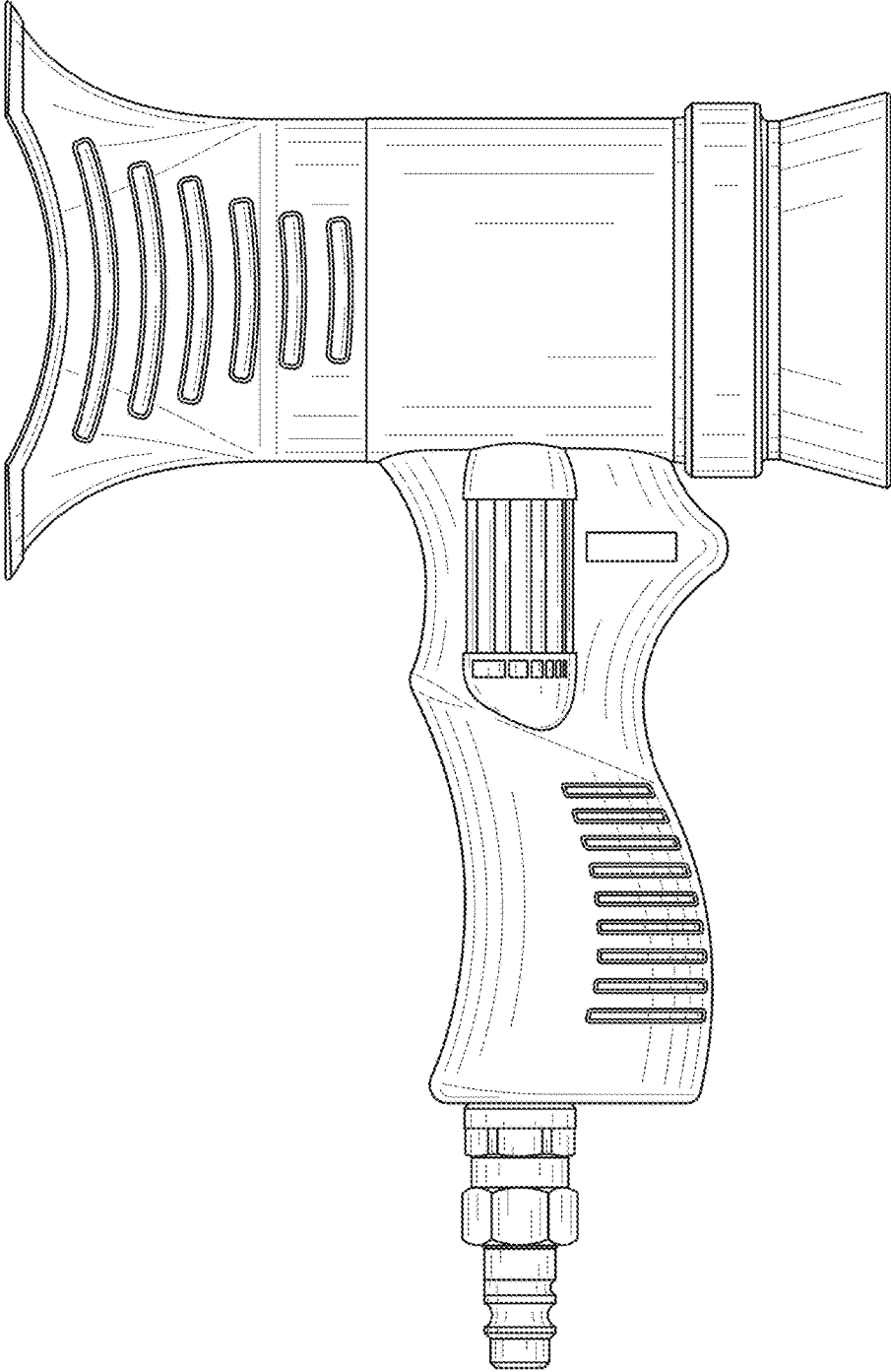


FIG. 2

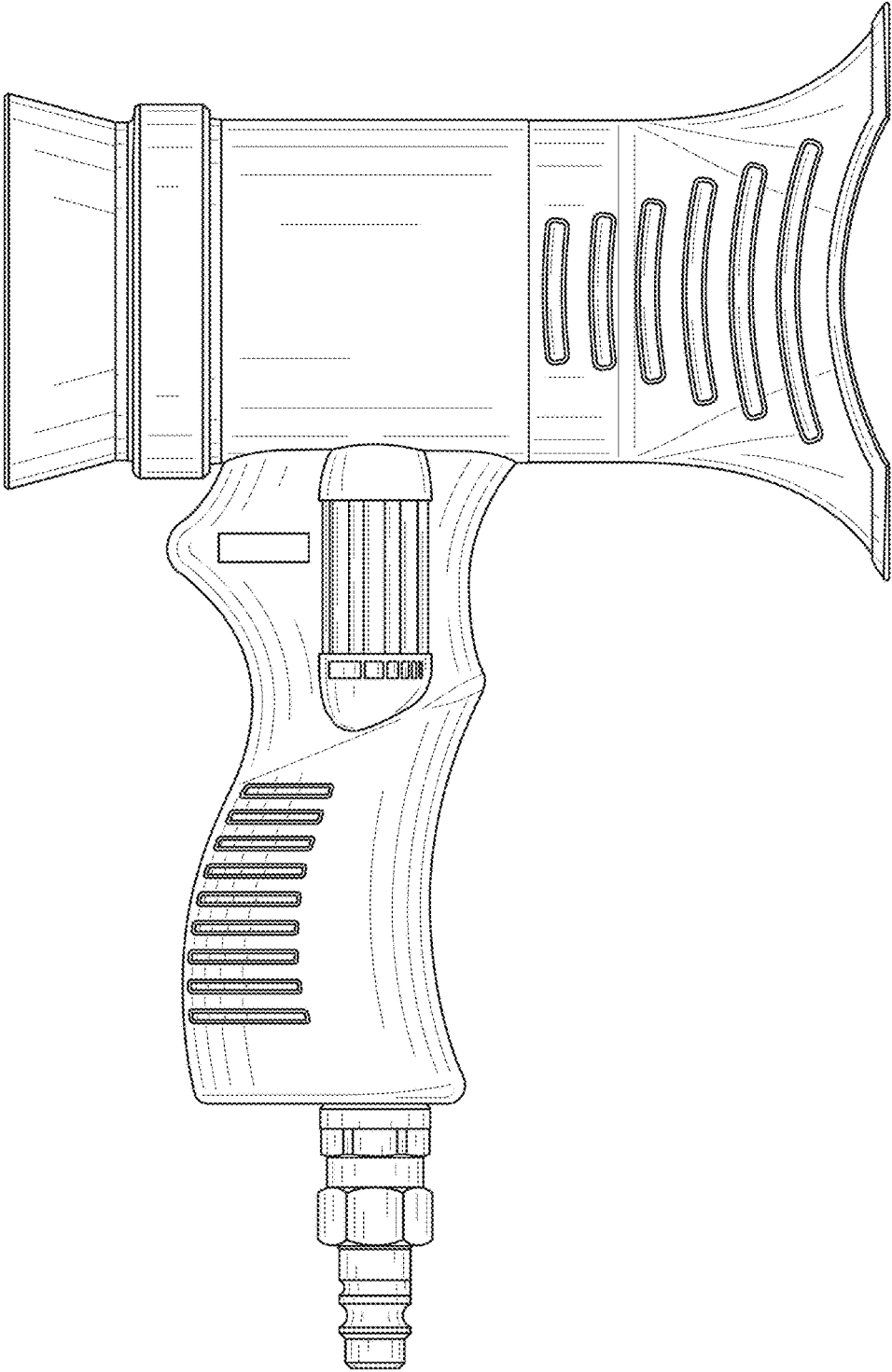


FIG. 3

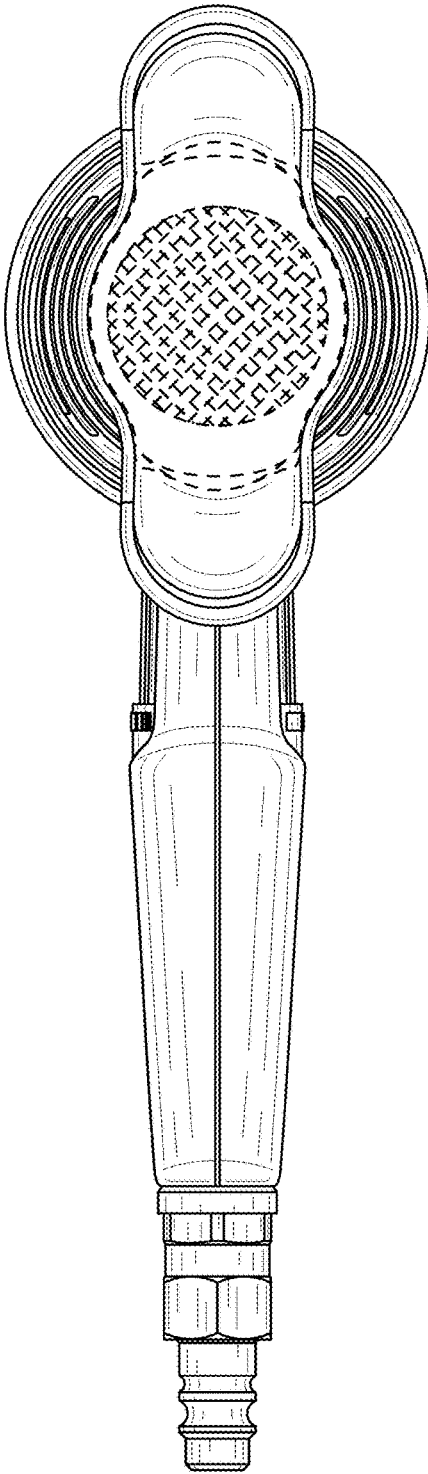


FIG. 4

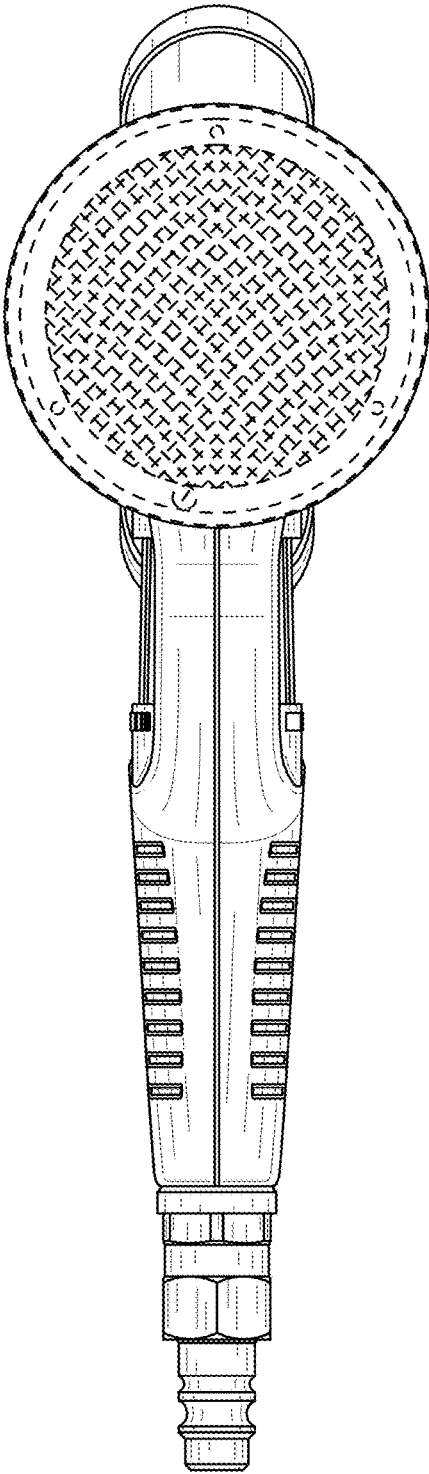


FIG. 5

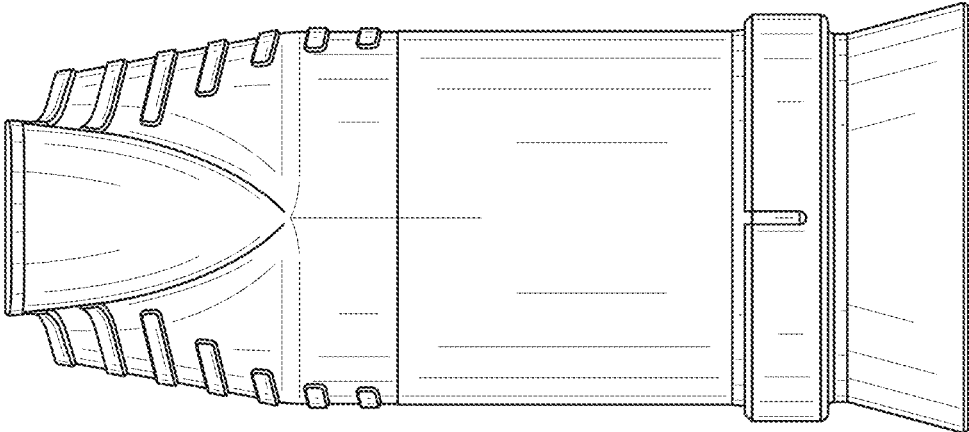


FIG. 6

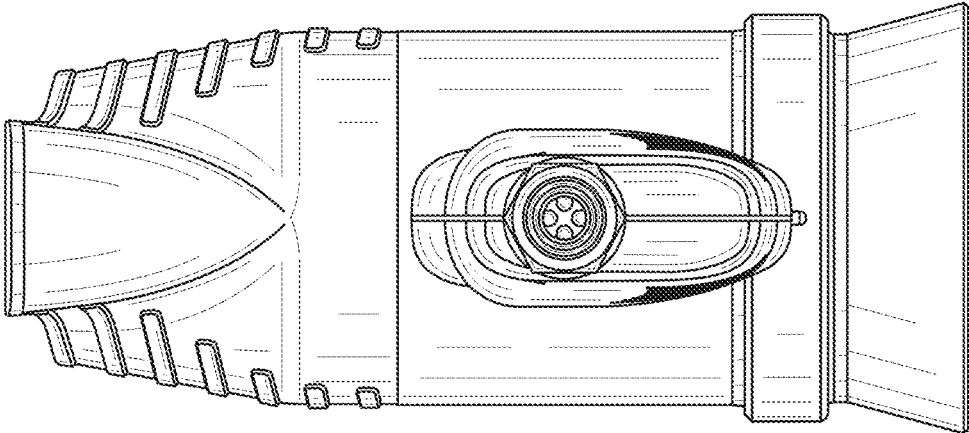


FIG. 7

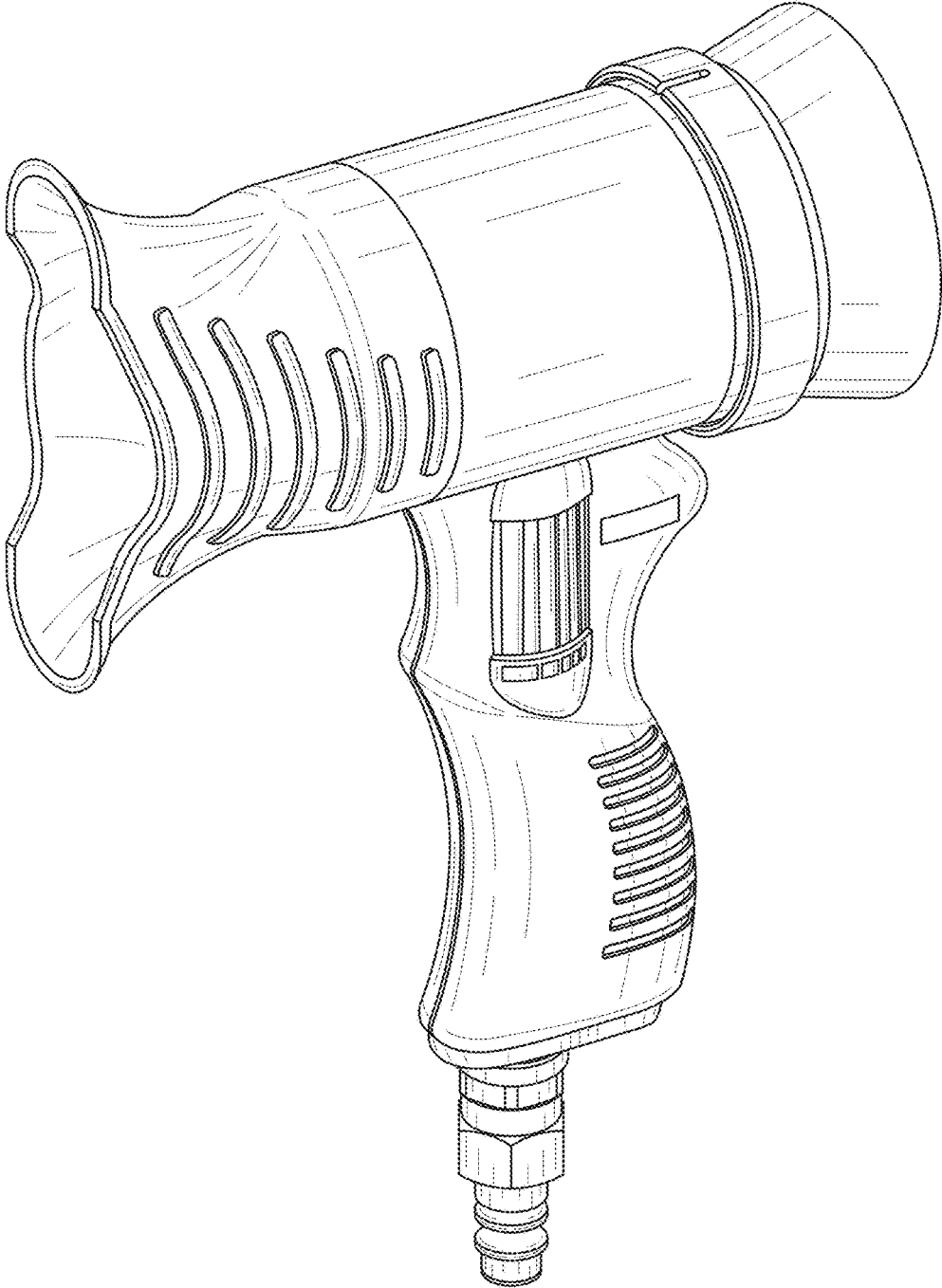


FIG. 8



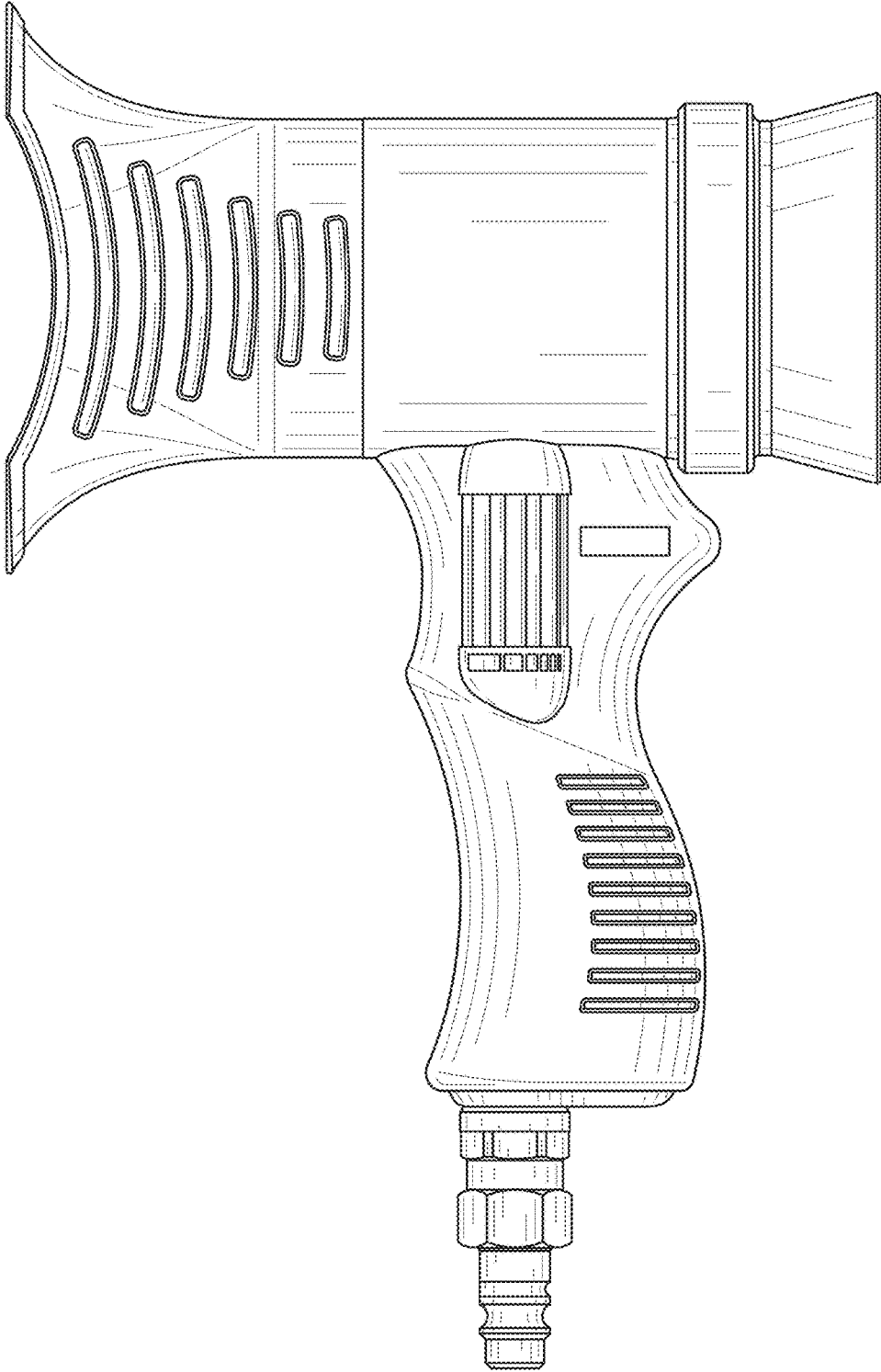


FIG. 9

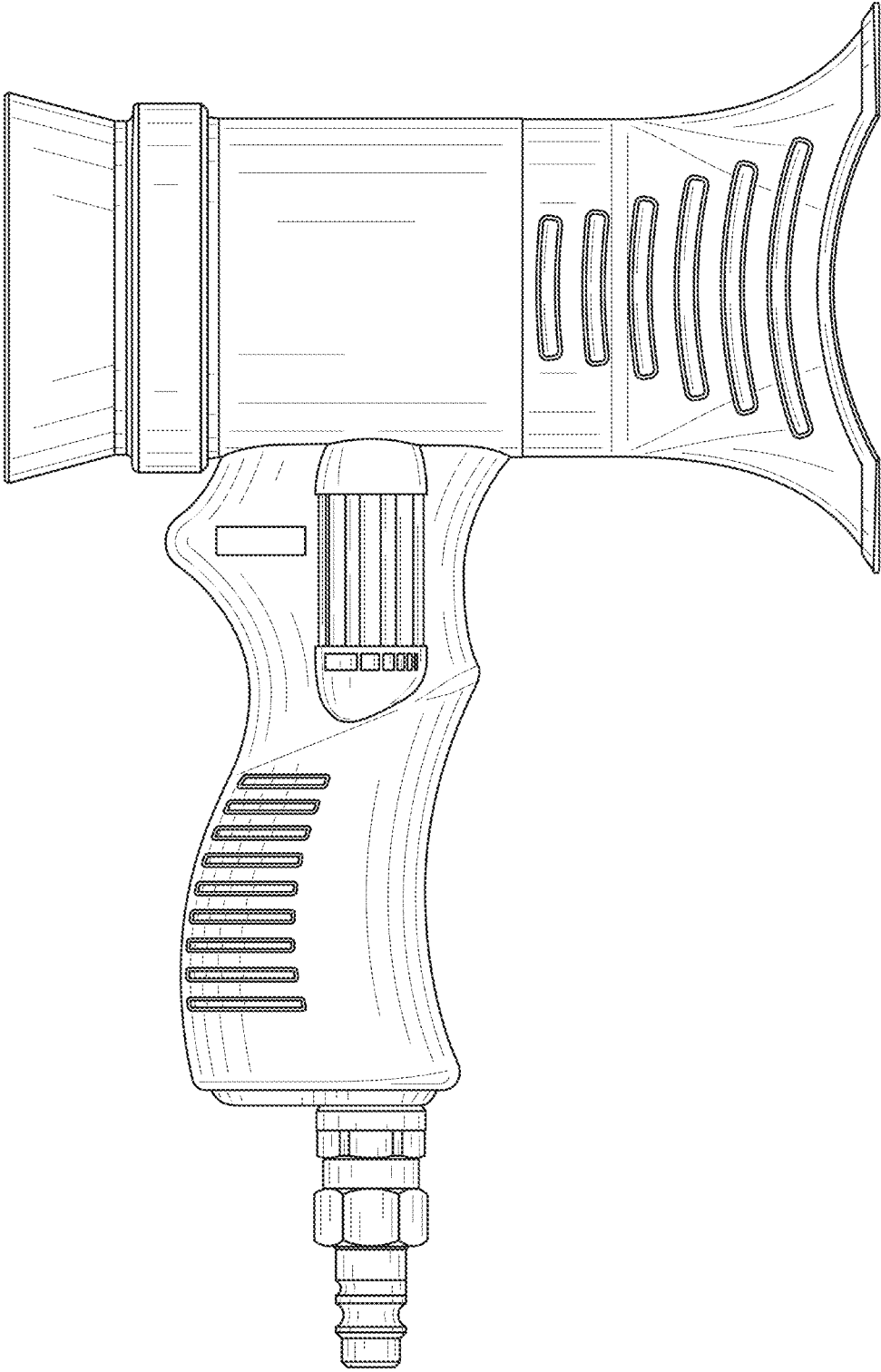


FIG. 10

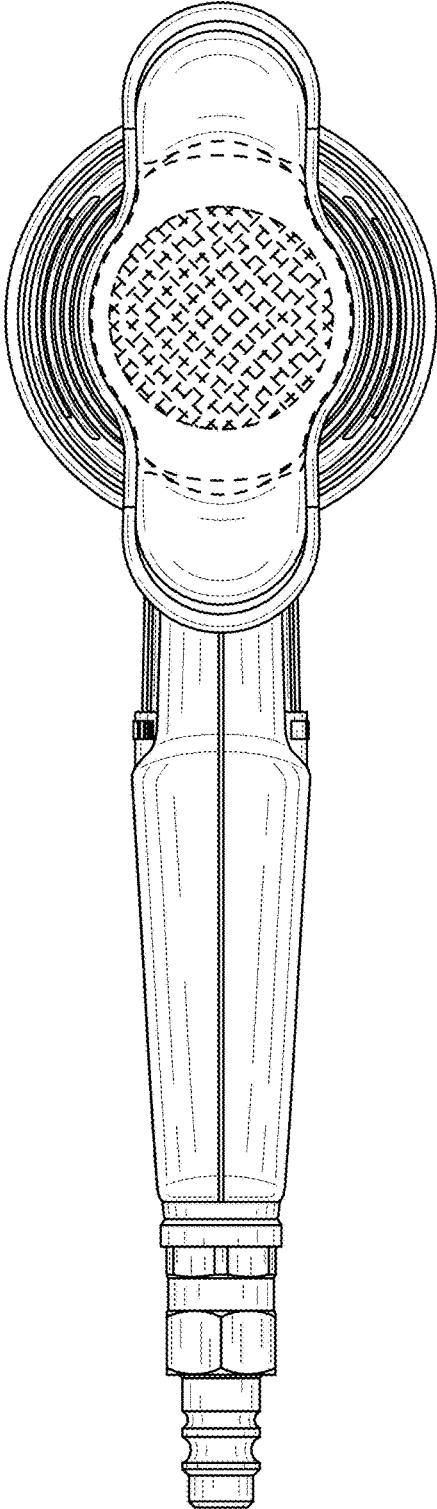


FIG. 11

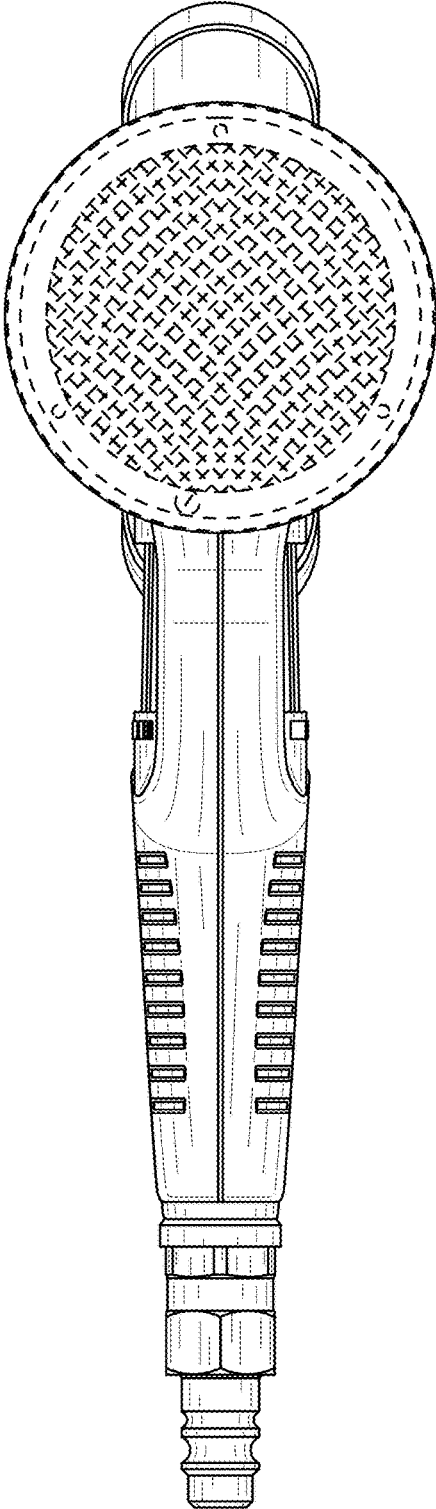


FIG. 12

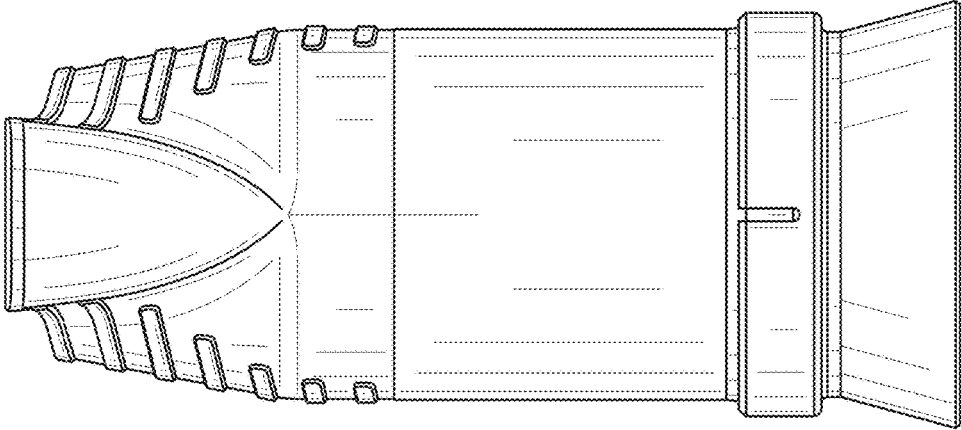


FIG. 13

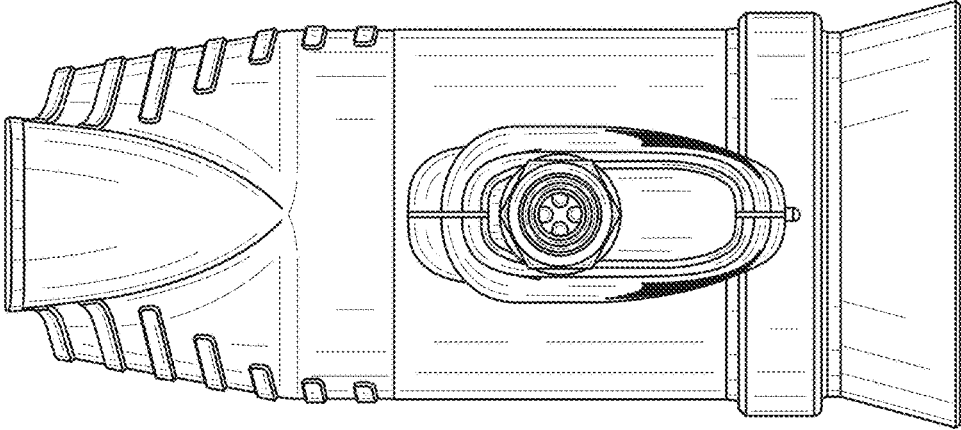


FIG. 14