



US00D923215S

(12) **United States Design Patent**  
**Wang**

(10) **Patent No.:** **US D923,215 S**

(45) **Date of Patent:** **\*\* Jun. 22, 2021**

(54) **LIGHT FOR VEHICLE**

(71) Applicant: **Shenzhen Xincheng Intelligent Technology Co., Ltd, Shenzhen (CN)**

(72) Inventor: **Zhi Wang, Guangdong (CN)**

(\*\*) Term: **15 Years**

(21) Appl. No.: **29/758,409**

(22) Filed: **Nov. 16, 2020**

(51) **LOC (13) Cl.** ..... **26-06**

(52) **U.S. Cl.**  
USPC ..... **D26/28**

(58) **Field of Classification Search**

USPC ..... D26/28-36, 139  
CPC ..... F21S 48/00; F21S 48/10; F21S 48/115;  
F21S 48/225; F21S 48/1233; F21S  
48/1266; F21S 48/1388; F21S 48/2268;  
F21V 5/00; F21V 21/04; F21V 29/004;  
B60Q 9/13; B60Q 9/135; B60Q 9/1375  
See application file for complete search history.

(56) **References Cited**

**U.S. PATENT DOCUMENTS**

D769,489 S \* 10/2016 Ma ..... D26/28  
D769,490 S \* 10/2016 Ma ..... D26/28

D825,085 S \* 8/2018 Jian ..... D26/28  
D870,935 S 12/2019 Wu .....  
D889,000 S \* 6/2020 Zheng ..... D26/28  
D890,963 S \* 7/2020 Lan ..... D26/28

\* cited by examiner

*Primary Examiner* — Marcus A Jackson

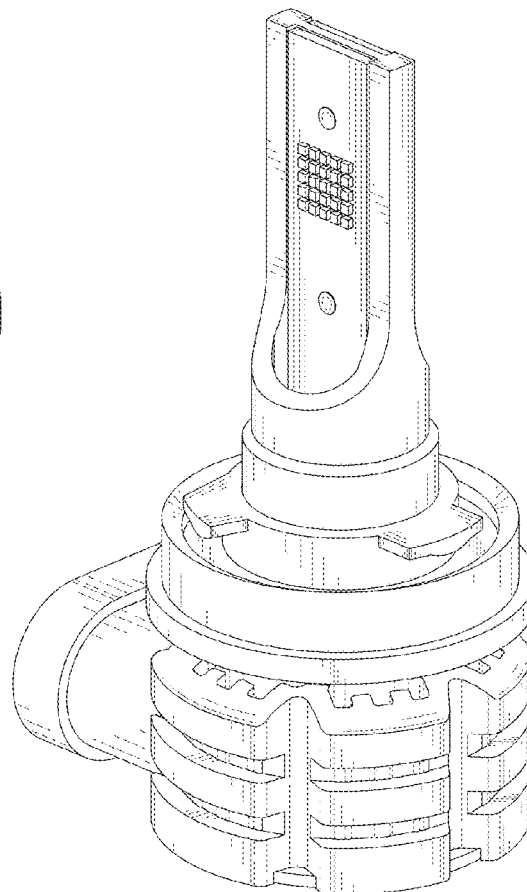
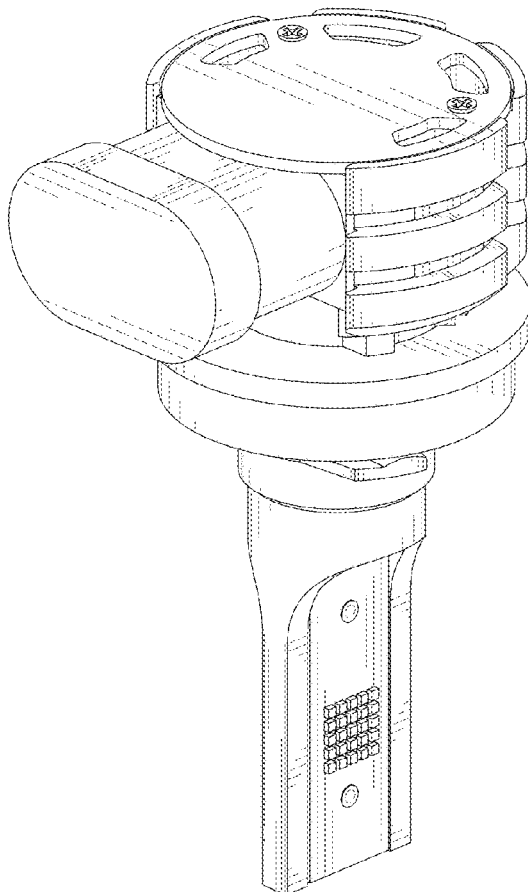
(57) **CLAIM**

The ornamental design for a light for vehicle, as shown and described.

**DESCRIPTION**

FIG. 1 is a front and top perspective view of a light for vehicle, showing my new design;  
FIG. 2 is a rear and bottom perspective view thereof;  
FIG. 3 is a front elevational view thereof;  
FIG. 4 is a rear elevational view thereof;  
FIG. 5 is a left side elevational view thereof;  
FIG. 6 is a right side elevational view thereof;  
FIG. 7 is a top plan view thereof; and,  
FIG. 8 is a bottom plan view thereof.  
The broken lines in the figures illustrate portions of the light for vehicle that form no part of the claimed design.

**1 Claim, 8 Drawing Sheets**



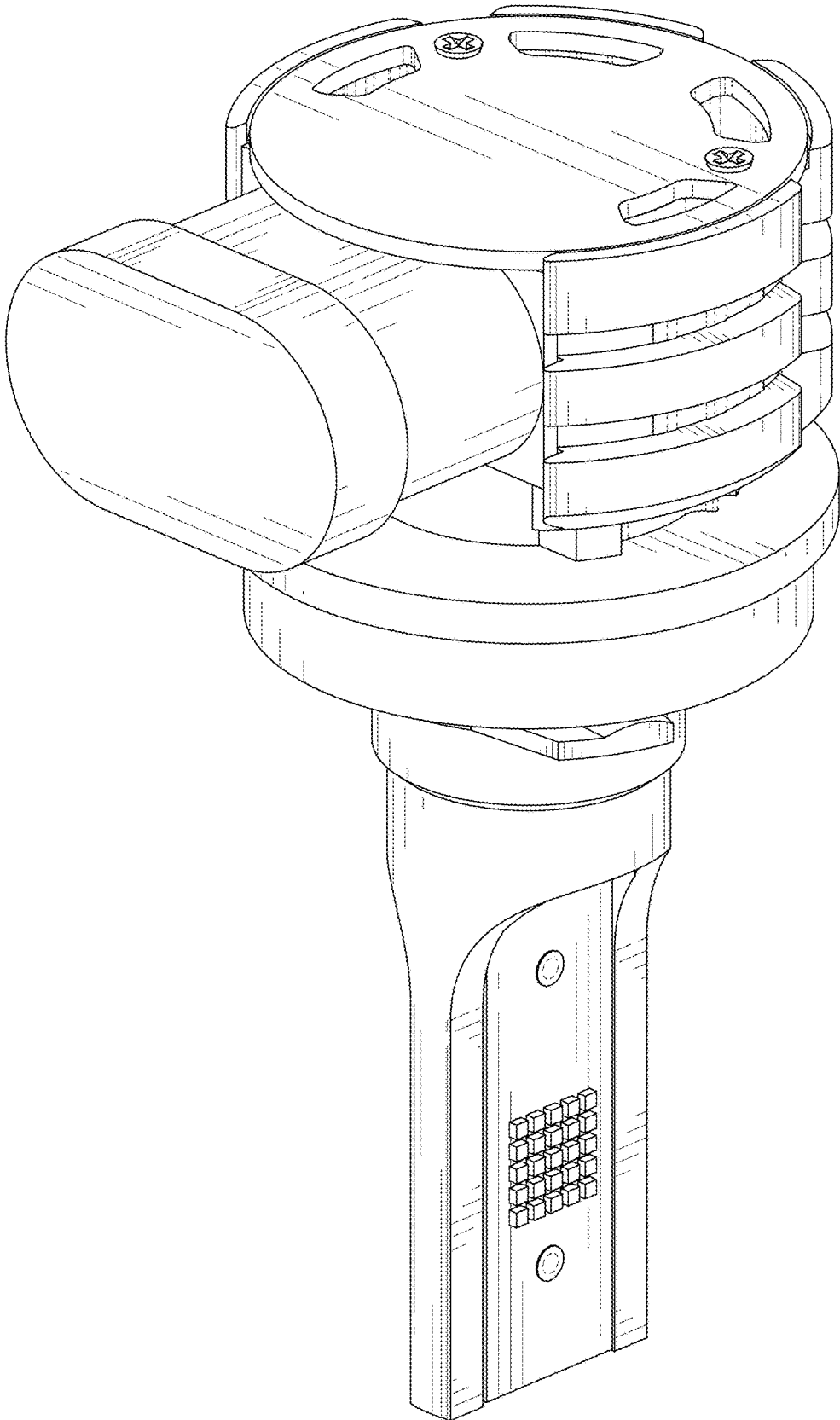


FIG. 1

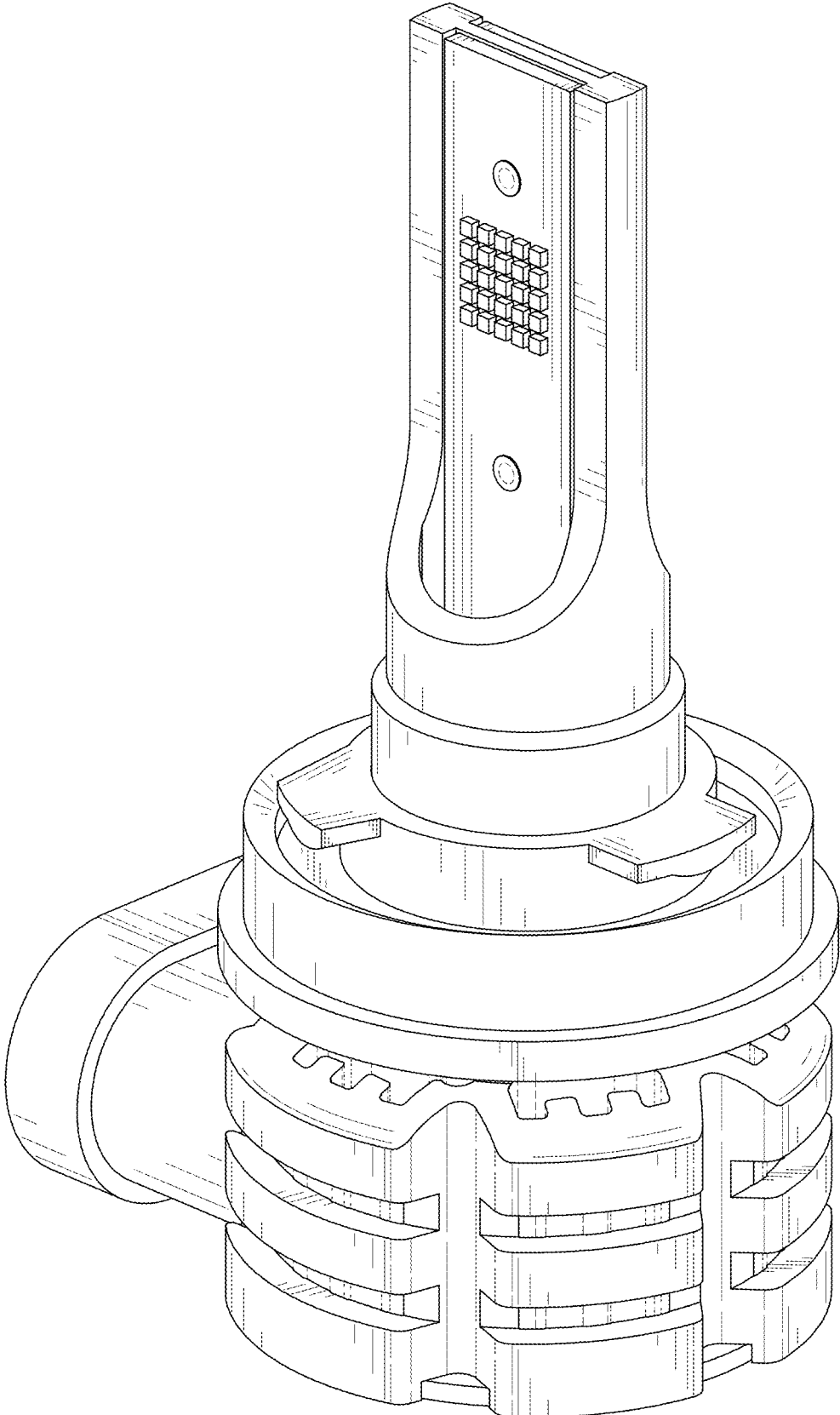


FIG. 2

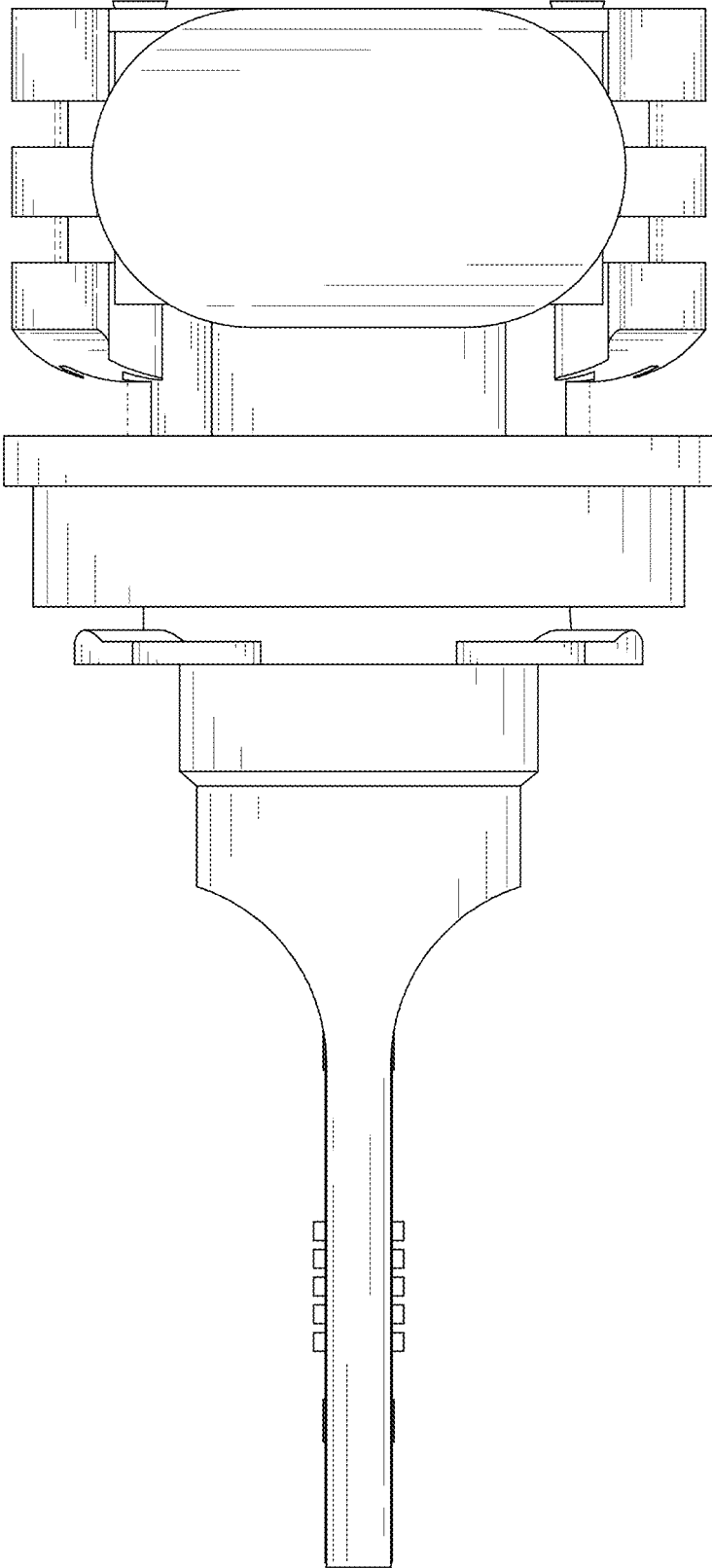


FIG. 3

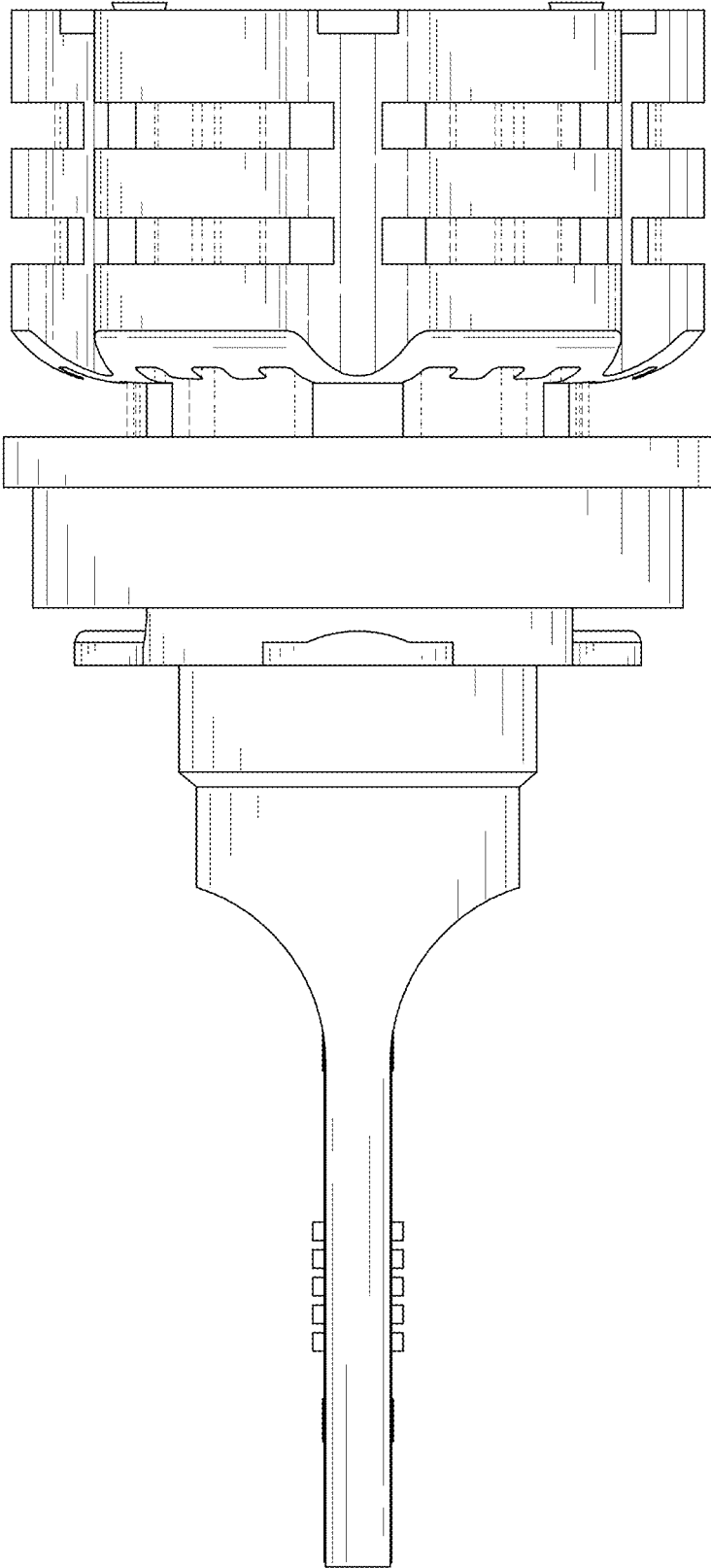


FIG. 4

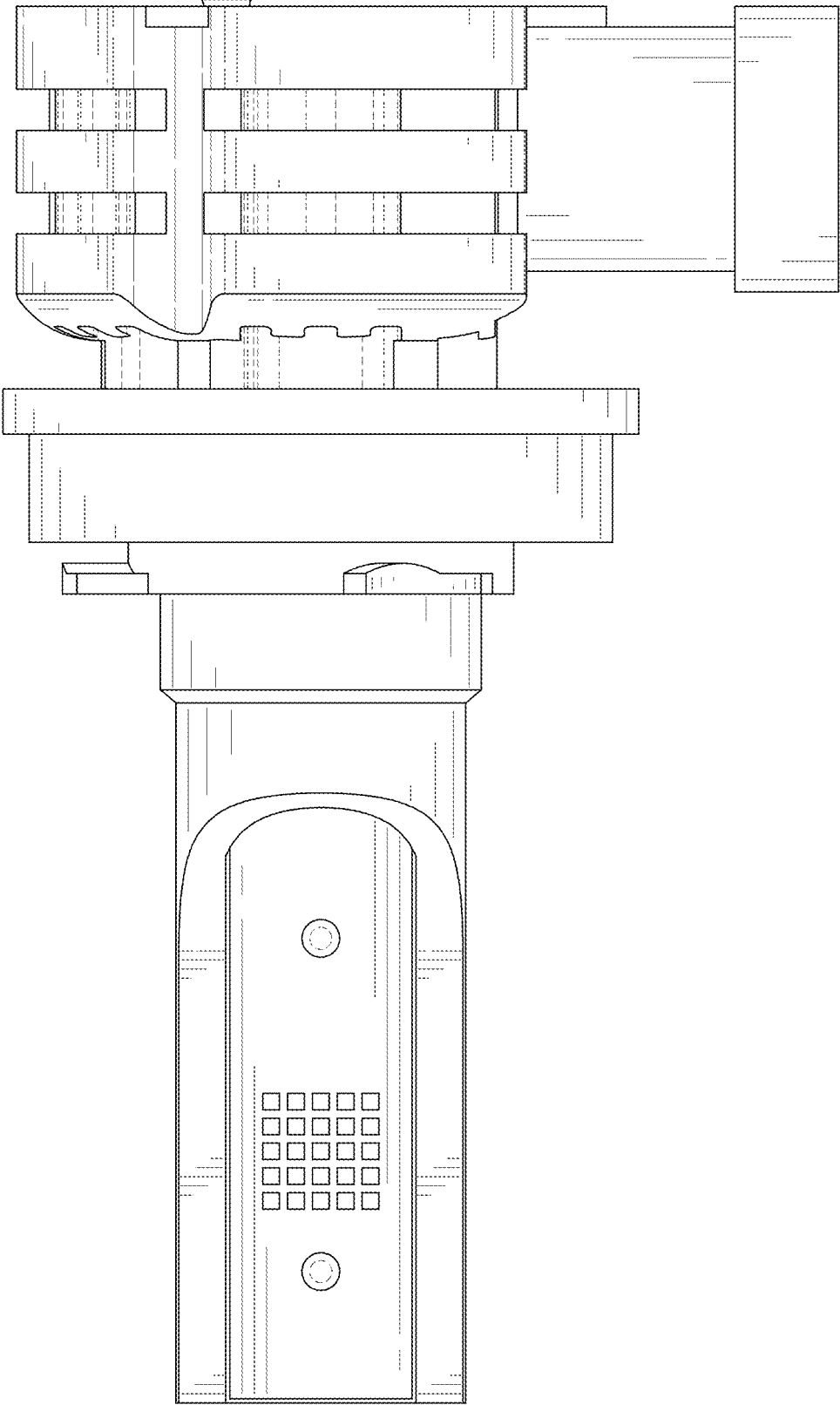


FIG. 5

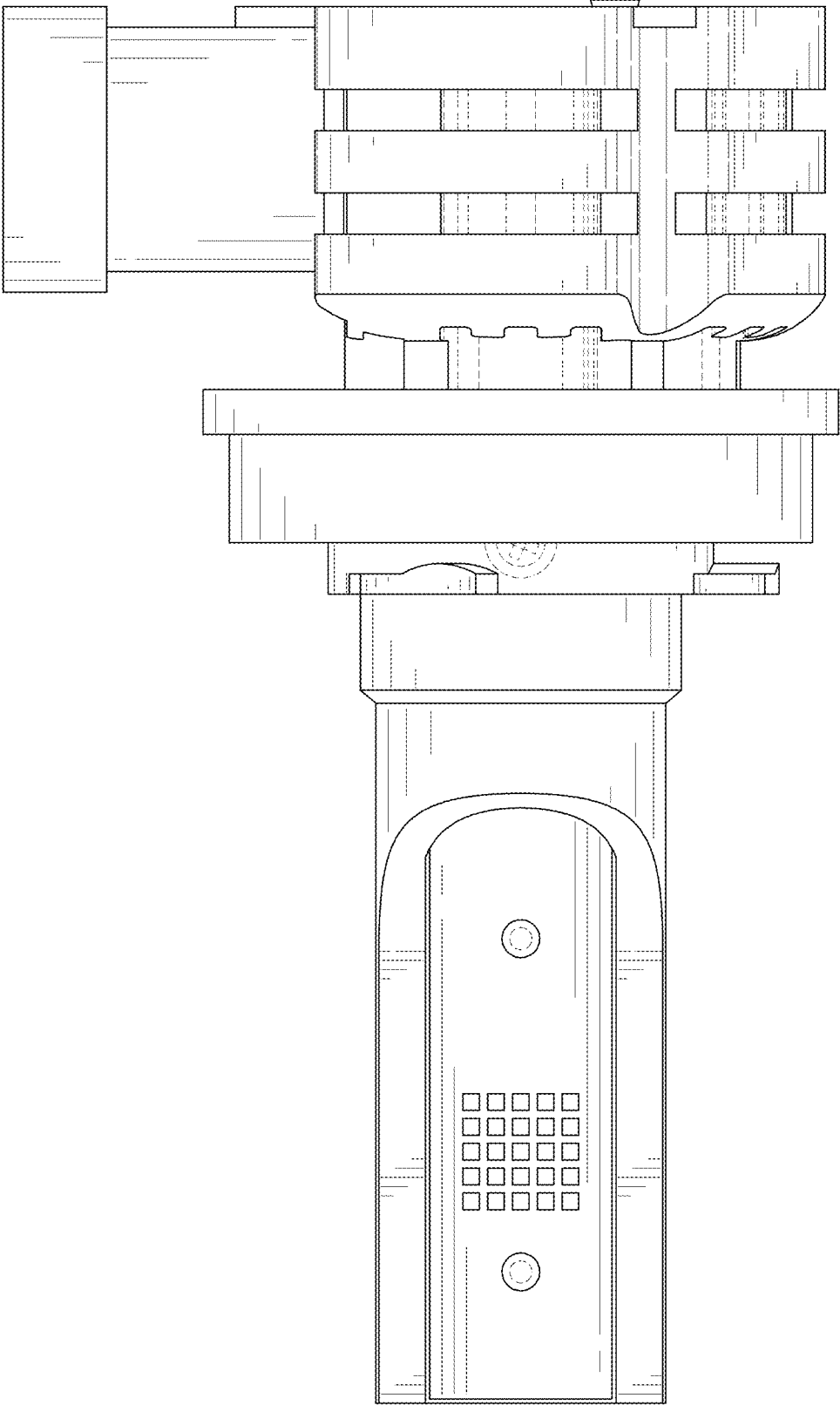


FIG. 6

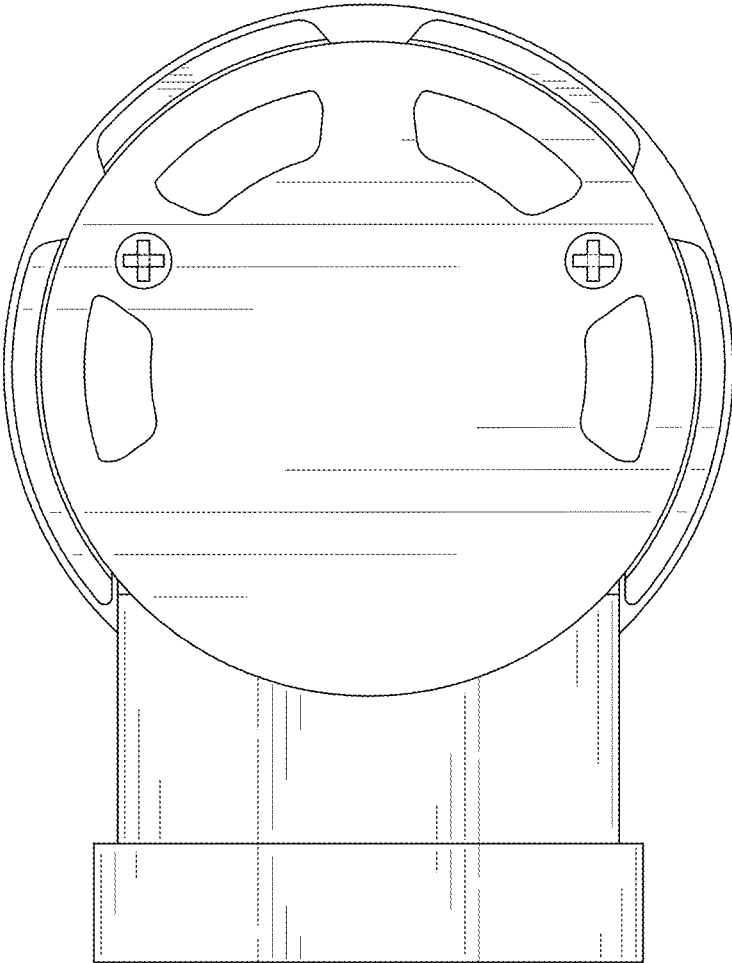


FIG. 7



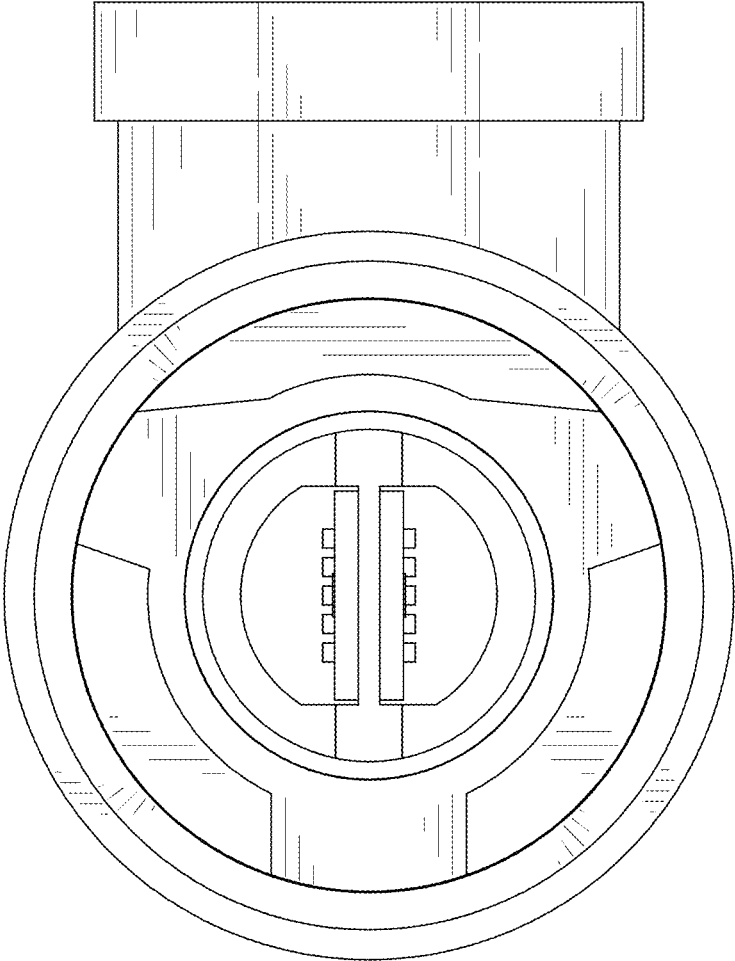


FIG. 8