



(12) **United States Design Patent**
Bacallao

(10) **Patent No.:** **US D795,061 S**
(45) **Date of Patent:** **** Aug. 22, 2017**

(54) **BAGGING STATION BAGGING CLIP**

B65D 2543/00296; B65D 5/46; B65D
2251/00

See application file for complete search history.

(71) Applicant: **Wal-Mart Stores, Inc.**, Bentonville, AR
(US)

(56) **References Cited**

U.S. PATENT DOCUMENTS

(72) Inventor: **Yurgis Mauro Bacallao**, Centerton, AR
(US)

- 1,452,492 A * 4/1923 Carpenter F16B 43/007
301/68
- 2,026,454 A * 12/1935 Benzing F16B 21/186
301/5.21
- 2,204,117 A * 6/1940 Brammer F16G 5/16
24/130
- D217,903 S * 6/1970 Derenski D9/447

(73) Assignee: **WAL-MART STORES, INC.**,
Bentonville, AR (US)

(Continued)

(**) Term: **15 Years**

FOREIGN PATENT DOCUMENTS

(21) Appl. No.: **29/560,807**

GB 2361740 10/2001

(22) Filed: **Apr. 11, 2016**

OTHER PUBLICATIONS

(51) **LOC (10) Cl.** **09-07**

Internet Image, <https://s-media-cache-ak0.pining.com/236x/d4/85/9c/d4859cecf5b23d54739860212d9b1eb.jpg>, accessed on Apr. 14, 2016; 1 page.

(52) **U.S. Cl.**

USPC **D9/434**; D9/456; D9/499; D8/354;
D6/699.4

(Continued)

(58) **Field of Classification Search**

Primary Examiner — Karen S Acker
Assistant Examiner — Wendy Arminio
(74) *Attorney, Agent, or Firm* — Schmeiser, Olsen & Watts LLP

USPC D9/414, 417, 428, 432, 434, 435,
D9/443-450, 452-456, 499, 682-685;
D7/387, 392, 392.1, 393, 396.1-396.4,
D7/398, 401.1, 507, 509-511, 538, 900;
D3/202, 294, 318; D28/91.1; D6/580,
D6/699, 699.4, 702; D8/349, 354, 382

CPC .. A61J 1/00; A61J 1/1412; B65D 1/00; B65D
1/02; B65D 1/10; B65D 1/46; B65D
2585/56; B65D 2585/545; B65D 41/00;
B65D 41/38; B65D 41/56; B65D 41/62;
B65D 47/00; B65D 47/06; B65D 47/08;
B65D 2543/00046; B65D 2543/00092;

(57) **CLAIM**

An ornamental design for a bagging station bagging clip, as shown and described.

DESCRIPTION

FIG. 1 is a perspective view of a bagging station bagging clip;
FIG. 2 is a front view of the bagging station bagging clip of FIG. 1;
FIG. 3 is a rear view of the bagging station bagging clip of FIG. 1;

(Continued)

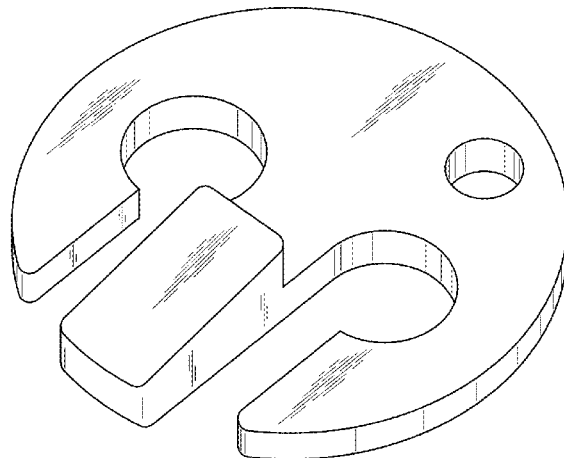


FIG. 4 is a top view of the bagging station bagging clip of FIG. 1;
 FIG. 5 is a bottom view of the bagging station bagging clip of FIG. 1;
 FIG. 6 is a right side view of the bagging station bagging clip of FIG. 1; and,
 FIG. 7 is a left side view of the bagging station bagging clip of FIG. 1.

1 Claim, 4 Drawing Sheets

D544,792	S *	6/2007	Camarella	D9/434
D548,073	S *	8/2007	Peaslee	D9/434
D592,508	S *	5/2009	Perignon	D9/434
D593,411	S *	6/2009	Bizzell	D9/434
D595,130	S *	6/2009	Bizzell	D9/434
D597,828	S *	8/2009	Tanaka	D8/354
D601,420	S *	10/2009	Miceli, Jr.	D9/434
D623,500	S *	9/2010	Langner	D8/349
8,261,460	B2 *	9/2012	Essel	E04G 21/1825 33/404
D752,867	S *	4/2016	Morszeck	D3/318
2002/0078534	A1	6/2002	Williams		
2004/0051331	A1 *	3/2004	Freedlund	A45F 5/1046 294/158
2014/0216962	A1 *	8/2014	Higdon	A63B 55/008 206/315.3

(56)

References Cited

U.S. PATENT DOCUMENTS

4,952,093	A *	8/1990	Murakami	B41J 29/02 403/261
D347,171	S *	5/1994	Specht	D9/434
5,340,634	A *	8/1994	Adams	B29C 45/00 264/DIG. 30
D356,261	S *	3/1995	Miceli, Jr.	294/137
D373,070	S *	8/1996	Kriegstein	D8/354
5,797,166	A *	8/1998	Wagenheim	A45F 5/1026 16/443
D414,537	S *	9/1999	Crate	D21/796
D503,095	S *	3/2005	Burr	D9/434
D514,431	S *	2/2006	Tanaka	D8/354
D540,153	S *	4/2007	Tanaka	D8/354

OTHER PUBLICATIONS

“2X Power Plug Socket Jack Hook Rack Holder Hanger Home Wall Decor Organizer”, Aliexpress.com, accessed on Apr. 14, 2016; 13 pages.
 “Closetmaid Superslide J Bracket Support WHI”, Masters Home Improvement, accessed on Apr. 14, 2016; 4 pages.
 “Ipc New Design Cartoon Animal Bear/Cat/Frog Kitchen Suction Racks Home Supplies”, Aliexpress.com, accessed on Apr. 14, 2016; 8 pages.
 “1 X Cargo Trunk Bag Hook Kit for VW Passat CC B6 Jetta Audi A4 S4”, Amazon.com, accessed on Apr. 14, 2016; 6 pages.

* cited by examiner

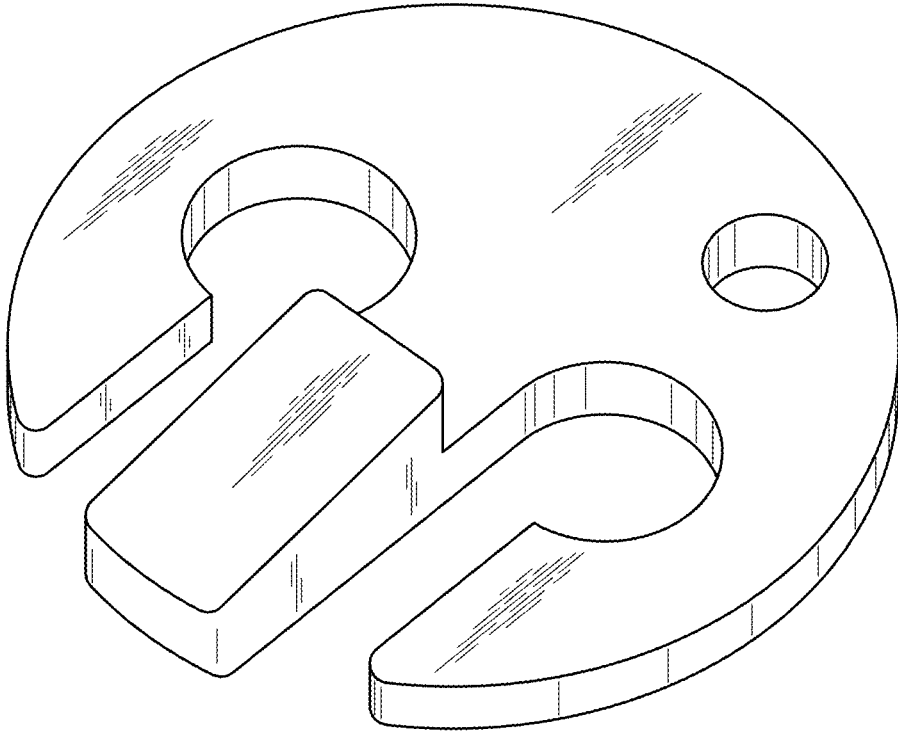


FIG. 1

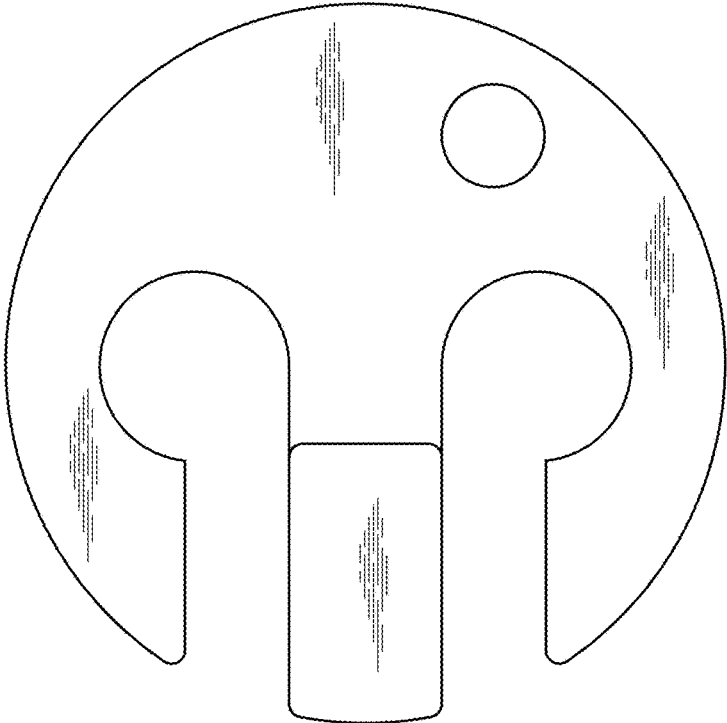


FIG. 2

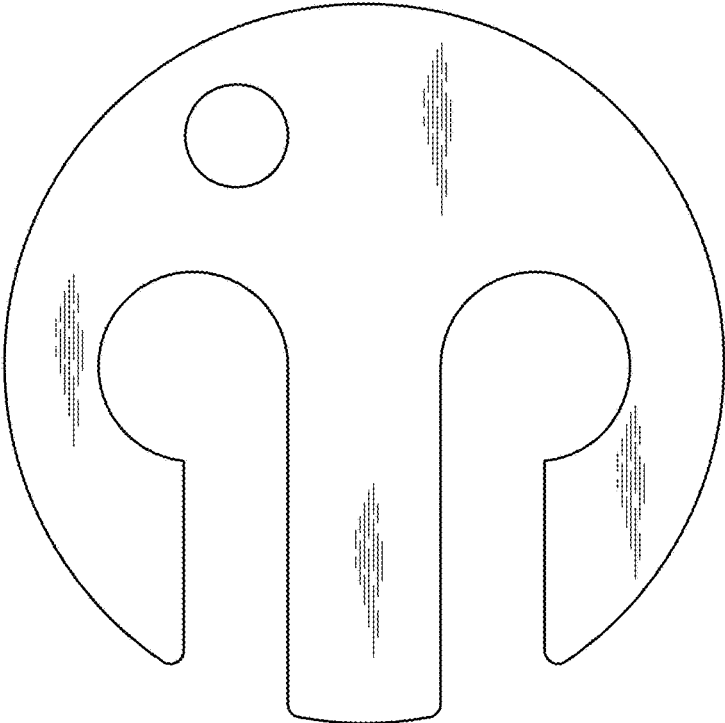


FIG. 3

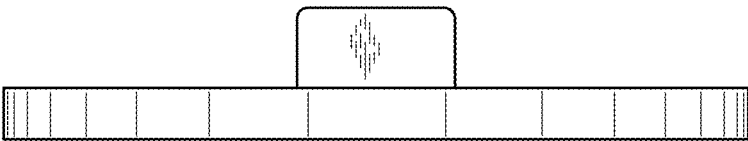


FIG. 4

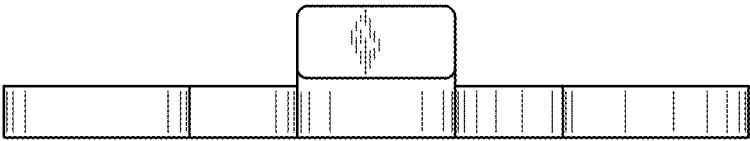


FIG. 5

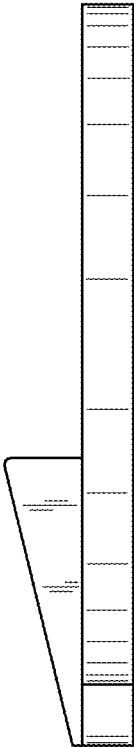


FIG. 6

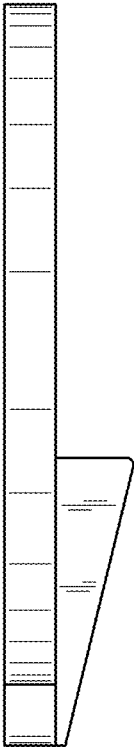


FIG. 7