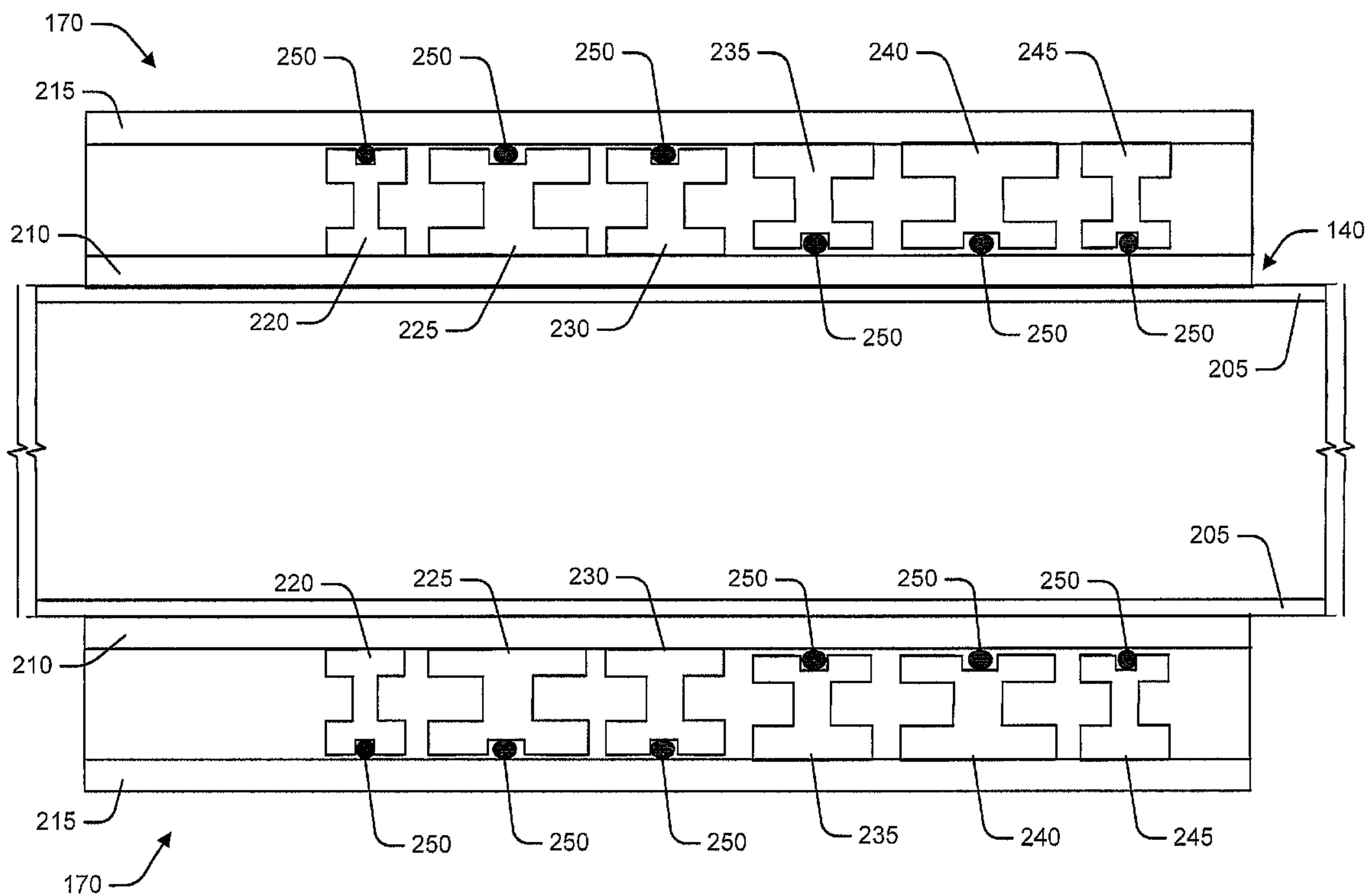




(86) Date de dépôt PCT/PCT Filing Date: 2005/05/27
 (87) Date publication PCT/PCT Publication Date: 2006/01/19
 (85) Entrée phase nationale/National Entry: 2006/10/12
 (86) N° demande PCT/PCT Application No.: US 2005/018565
 (87) N° publication PCT/PCT Publication No.: 2006/007205
 (30) Priorité/Priority: 2004/06/22 (US10/873,087)

(71) Demandeur/Applicant:
HALLIBURTON ENERGY SERVICES, INC., US
 (72) Inventeurs/Inventors:
ARIAN, ABBAS, US;
FICKERT, GARY L., US;
BLANCH, JOAKIM O., US;
SHAH, VIMAL V., US;
LINYAEV, EUGENE, US
 (74) Agent: EMERY JAMIESON LLP

(54) Titre : ATTENUATEUR ACOUSTIQUE FAIBLE FREQUENCE
 (54) Title: LOW FREQUENCY ACOUSTIC ATTENUATOR



(57) **Abrégé/Abstract:**

An attenuation apparatus, system, and method are disclosed. The attenuator is attached to a pipe and includes a housing that includes an inner sleeve and an outer sleeve. The attenuator includes one or more masses, to resonate when exposed to waves including acoustic frequency components.

(12) INTERNATIONAL APPLICATION PUBLISHED UNDER THE PATENT COOPERATION TREATY (PCT)

(19) World Intellectual Property Organization
International Bureau



(43) International Publication Date
19 January 2006 (19.01.2006)

PCT

(10) International Publication Number
WO 2006/007205 A2

(51) International Patent Classification:
G01V 1/04 (2006.01)

(74) Agent: **BOWLING, Bradley, S.**; Baker Botts L.L.P., 910 Louisiana Street, Houston, TX 77002-4995 (US).

(21) International Application Number:
PCT/US2005/018565

(81) Designated States (unless otherwise indicated, for every kind of national protection available): AE, AG, AL, AM, AT, AU, AZ, BA, BB, BG, BR, BW, BY, BZ, CA, CH, CN, CO, CR, CU, CZ, DE, DK, DM, DZ, EC, EE, EG, ES, FI, GB, GD, GE, GH, GM, HR, HU, ID, IL, IN, IS, JP, KE, KG, KM, KP, KR, KZ, LC, LK, LR, LS, LT, LU, LV, MA, MD, MG, MK, MN, MW, MX, MZ, NA, NG, NI, NO, NZ, OM, PG, PH, PL, PT, RO, RU, SC, SD, SE, SG, SK, SL, SM, SY, TJ, TM, TN, TR, TT, TZ, UA, UG, US, UZ, VC, VN, YU, ZA, ZM, ZW.

(22) International Filing Date: 27 May 2005 (27.05.2005)

(25) Filing Language: English

(26) Publication Language: English

(30) Priority Data:
10/873,087 22 June 2004 (22.06.2004) US

(84) Designated States (unless otherwise indicated, for every kind of regional protection available): ARIPO (BW, GH, GM, KE, LS, MW, MZ, NA, SD, SL, SZ, TZ, UG, ZM, ZW), Eurasian (AM, AZ, BY, KG, KZ, MD, RU, TJ, TM), European (AT, BE, BG, CH, CY, CZ, DE, DK, EE, ES, FI, FR, GB, GR, HU, IE, IS, IT, LT, LU, MC, NL, PL, PT, RO, SE, SI, SK, TR), OAPI (BF, BJ, CF, CG, CI, CM, GA, GN, GQ, GW, ML, MR, NE, SN, TD, TG).

(71) Applicant (for all designated States except US): **HAL-LIBURTON ENERGY SERVICES, INC.** [US/US]; 3000 North Sam Houston Parkway East, Houston, TX 77005-1892 (US).

(72) Inventors; and

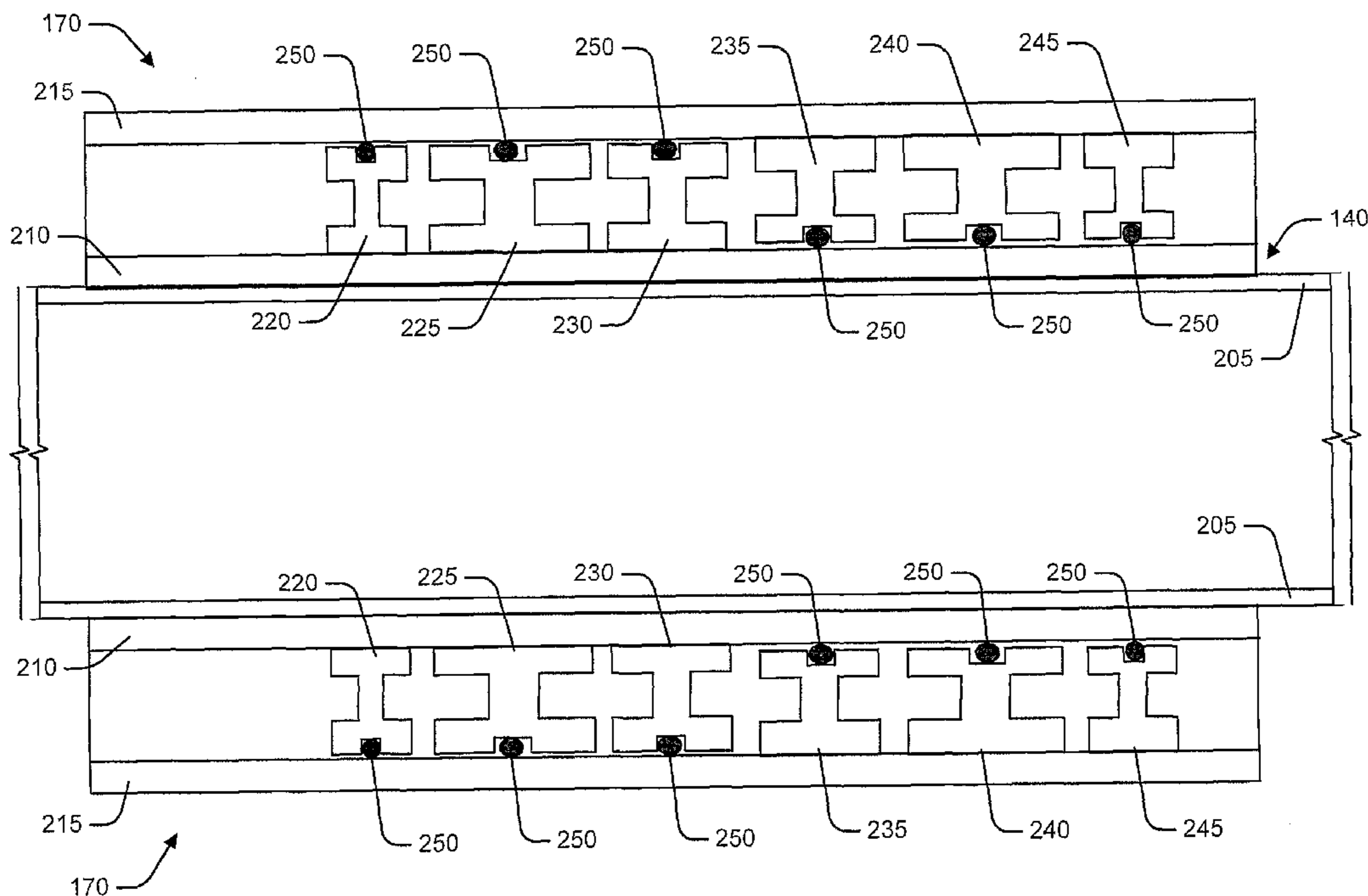
(75) Inventors/Applicants (for US only): **ARIAN, Abbas** [US/US]; 109 Sandlewood Drive, Houston, TX 77024 (US). **FICKERT, Gary, L.** [US/US]; 13826 Pebblebrook Drive, Houston, TX 77079 (US). **BLANCH, Joakim, O.** [SE/US]; Apartment 1336, 7171 Buffalo Speedway, Houston, TX 77025 (US). **SHAH, Vimal, V.** [IN/US]; 606 Avery Drive, Sugarland, TX 77479 (US). **LINYAEV, Eugene** [US/US]; 8330 Bo Jack Drive, Houston, TX 77040 (US).

Declarations under Rule 4.17:

— as to applicant's entitlement to apply for and be granted a patent (Rule 4.17(ii)) for the following designations AE, AG, AL, AM, AT, AU, AZ, BA, BB, BG, BR, BW, BY, BZ,

[Continued on next page]

(54) Title: LOW FREQUENCY ACOUSTIC ATTENUATOR



(57) Abstract: An attenuation apparatus, system, and method are disclosed. The attenuator is attached to a pipe and includes a housing that includes an inner sleeve and an outer sleeve. The attenuator includes one or more masses, to resonate when exposed to waves including acoustic frequency components.

WO 2006/007205 A2



CA, CH, CN, CO, CR, CU, CZ, DE, DK, DM, DZ, EC, EE, EG, ES, FI, GB, GD, GE, GH, GM, HR, HU, ID, IL, IN, IS, JP, KE, KG, KM, KP, KR, KZ, LC, LK, LR, LS, LT, LU, LV, MA, MD, MG, MK, MN, MW, MX, MZ, NA, NG, NI, NO, NZ, OM, PG, PH, PL, PT, RO, RU, SC, SD, SE, SG, SK, SL, SM, SY, TJ, TM, TN, TR, TT, TZ, UA, UG, UZ, VC, VN, YU, ZA, ZM, ZW, ARIPO patent (BW, GH, GM, KE, LS, MW, MZ, NA, SD, SL, SZ, TZ, UG, ZM, ZW), Eurasian patent (AM, AZ, BY, KG, KZ, MD, RU, TJ, TM), European patent (AT, BE, BG, CH, CY, CZ, DE, DK, EE, ES, FI, FR, GB, GR, HU, IE, IS, IT, LT, LU, MC, NL, PL, PT, RO, SE, SI, SK, TR), OAPI patent (BF, BJ, CF, CG, CI, CM, GA, GN, GQ, GW, ML, MR, NE, SN, TD, TG)

- as to the applicant's entitlement to claim the priority of the earlier application (Rule 4.17(iii)) for the following designations AE, AG, AL, AM, AT, AU, AZ, BA, BB, BG, BR, BW, BY, BZ, CA, CH, CN, CO, CR, CU, CZ, DE, DK, DM, DZ, EC, EE, EG, ES, FI, GB, GD, GE, GH, GM, HR, HU, ID, IL, IN, IS, JP, KE, KG, KM, KP, KR, KZ, LC, LK, LR, LS,

LT, LU, LV, MA, MD, MG, MK, MN, MW, MX, MZ, NA, NG, NI, NO, NZ, OM, PG, PH, PL, PT, RO, RU, SC, SD, SE, SG, SK, SL, SM, SY, TJ, TM, TN, TR, TT, TZ, UA, UG, UZ, VC, VN, YU, ZA, ZM, ZW, ARIPO patent (BW, GH, GM, KE, LS, MW, MZ, NA, SD, SL, SZ, TZ, UG, ZM, ZW), Eurasian patent (AM, AZ, BY, KG, KZ, MD, RU, TJ, TM), European patent (AT, BE, BG, CH, CY, CZ, DE, DK, EE, ES, FI, FR, GB, GR, HU, IE, IS, IT, LT, LU, MC, NL, PL, PT, RO, SE, SI, SK, TR), OAPI patent (BF, BJ, CF, CG, CI, CM, GA, GN, GQ, GW, ML, MR, NE, SN, TD, TG)

Published:

- without international search report and to be republished upon receipt of that report

For two-letter codes and other abbreviations, refer to the "Guidance Notes on Codes and Abbreviations" appearing at the beginning of each regular issue of the PCT Gazette.

Low Frequency Acoustic Attenuator

Background

As oil well drilling becomes increasingly complex, the importance of collecting
5 downhole data while drilling increases.

Brief Description of the Drawings

Fig. 1 shows a system for acoustic signaling.

Fig. 2 illustrates a portion of the drillstring with an acoustic attenuator attached.

Figs. 3-5 illustrate a ring mass with a resonant frequency.

10 Fig. 6 illustrates a portion of the drillstring with an acoustic attenuator attached.

Fig. 7 shows a flow chart of a method for acoustic attenuation.

Detailed Description

As shown in Fig. 1, oil well drilling equipment 100 (simplified for ease of
understanding) includes a derrick 105, derrick floor 110, draw works 115 (schematically
15 represented by the drilling line and the traveling block), hook 120, swivel 125, kelly joint
130, rotary table 135, drillpipe 140, drill collar 145, LWD/MWD tools 150 and 170, and drill
bit 155. Drilling fluid, such as mud, foam, or air, is injected into the swivel by a drilling fluid
supply line (not shown). The drilling fluid travels through the kelly joint 130, drillpipe 140,
drill collars 145, and LWD/MWD tools 150 and 170, and exits through jets or nozzles in the
20 drill bit 155. The drilling fluid then flows up the annulus between the drill pipe 140 and the
wall of the borehole 160. A drilling fluid return line 165 returns drilling fluid from the
borehole 160 and circulates it to a drilling fluid pit (not shown) and back to the drilling fluid
supply line (not shown). The combination of the drill collar 145 and drill bit 155 is known as
the bottomhole assembly (or "BHA"). The combination of the BHA and the drillpipe 140 is
25 known as the drillstring. In rotary drilling the rotary table 135 may provide rotation to the
drill string, or alternatively the drill string may be rotated via a top drive assembly. The term
"couple" or "couples" used herein is intended to mean either an indirect or direct connection.
Thus, if a first device couples to a second device, that connection may be through a direct
connection, or through one or more intermediate devices.

It will be understood that the term "oil well drilling equipment" or "oil well drilling system" is not intended to limit the use of the equipment and processes described with those terms to drilling an oil well. The terms also encompass drilling natural gas wells or hydrocarbon wells in general. Further, such wells can be used for production, monitoring, or injection in relation to the recovery of hydrocarbons or other materials from the subsurface.

Logging-while-drilling (LWD) or measurement-while-drilling (MWD) tools 150 are distributed along the drillpipe 140. The LWD/MWD tools 150 may include one or more sensors to detect or measure one or more properties and produce a corresponding sensor signal. The LWD/MWD tools 170 may also include a transmitter to transmit or a receiver to receive sensor signals from other LWD/MWD tools 170. Some of the transmitter in the LWD/MWD tools 150 transmit acoustic signals. The acoustic signals have primary (e.g. no harmonic) frequency components between 100 Hz and 2000 KHz. Some of the transmitters may only produce signals with primary frequency components between 400 Hz and 1.8 KHz. The acoustic signals propagate along the drillpipe 140 between the transmitter and receiver. The signals may also be relayed to a surface processor 185 for analysis.

In addition to transmitters within the LWD/MWD tools 150, acoustic energy is generated by portions of the oil well drilling equipment 100, including, for example, the top-drive assembly or the drill bit 155. One or more attenuator LWD/MWD tools 170 may be placed on the drillstring to attenuate acoustic noise propagating along the drillstring.

A cut-away view of an acoustic attenuator 170 mounted to a portion of the drillpipe 140 as shown in Fig. 2. In other implementations the acoustic attenuator 170 is mounted in or about the drill collar 145 or another portion of the drillstring. The acoustic attenuator 170 includes a housing that includes an inner sleeve 210 and an outer sleeve 210. The acoustic attenuator 170 may be a hollow drill collar. The inner sleeve 210 of the acoustic attenuator 170 is formed to acoustically and mechanically engage a wall 205 of the drillpipe 140, or other portion of the drillstring. The drillstring or the inner collar 210 may include features, including, for example, threading, to form a mechanical and acoustic engagement between the drillpipe 140 and the inner collar 210. The acoustic attenuator 170 includes one or more masses such as masses 220, 225, 230, 235, 240, and 245.

In certain implementations, the inner sleeve 210 may perform the functions of the wall 205. In these implementations, the wall 205 may be omitted, in part, and replaced by the inner sleeve 210.

One example acoustic attenuator 170 has a length that is less than one wavelength of the shortest frequency that the acoustic attenuator 170 is designed to attenuate. Such a configuration may prevent the acoustic attenuator 170 from becoming a resonator at a frequency that it is designed to attenuate. Another example acoustic attenuator 170 has a length that is greater than one wavelength of the longest frequency that the acoustic attenuator 170 is designed to attenuate.

One or more of the masses, such as masses 220, 225, and 230, are affixed to the inner collar 210. The masses 220, 225, and 230 are in mechanical and acoustic contact with the inner sleeve 210. The masses 220, 225, and 230 may be in intimate contact with the inner sleeve 210. For example, the masses may be welded to the inner collar 210 or the inner collar 210. There is a gap between the masses 220, 225, and 230 and the outer sleeve 215. Rubber O-rings 250 may be placed between the masses 220, 225, and 230 and the outer sleeve 215. The O-rings 250 may prevent the masses 220, 225, and 230 from contacting the outer sleeve 215 and may dampen vibrations in the masses 220, 225, and 230.

One or more of the masses, such as masses 235, 240, and 245 and affixed to the outer collar 215. The masses 235, 240, and 245, are in mechanical and acoustic contact with the outer sleeve. The masses 235, 240, and 245 may be in intimate contact with the outer sleeve. For example, the masses may be welded to the inner collar 210 or the outer collar 215. Rubber O-rings 250 may be placed between the masses 235, 240, and 245 and the inner sleeve 210. The O-rings 250 may prevent the masses 235, 240, and 245 from contacting the inner sleeve 210 and may dampen vibrations in the masses 235, 240, and 245.

The inner collar 210 and outer collar 215 may include features, such as threading, to engage the masses. The masses may also be expandable, in response to compressive forces, to engage the inner sleeve 210 or the outer sleeve 215. The inner collar 210, outer collar 215, and each of the masses experience expansion when applied to heat. The masses may have greater expansion when applied to heat than the outer sleeve 215 and a lesser expansion than

the inner sleeve 210. In such a configuration, the masses may maintain contact with one of the sleeves under operating conditions (e.g. downhole during drilling operations).

The masses may have various sizes, shapes, and material compositions to resonate at different ranges of frequencies. Masses with different resonant frequencies are included in the acoustic attenuator 140 to provide a greater range of attenuated frequencies. The
5 attenuator 170 may include a variety of masses, such that the attenuator, as a whole, will have a frequency response from about 500 Hz to 5 kHz, 100 Hz to 2 KHz, or 400 to 1.8 KHz.

An example mass 220 is shown in Fig. 3. Mass 220 has a ring configuration with an outer rim to fit within the housing formed by the inner sleeve 210 and the outer sleeve 215.
10 The mass 220 includes interruptions to segment the outer rim of the mass 220 into sections 305, 310, and 315. The mass, stiffness, and dimensions of the sections may be adjusted to change the resonant frequency of the mass 220.

A cut-away view of mass 220 is shown in Fig. 4 illustrating the varying dimensions of the sections 305, 310, and 315. Although the outer rim of the mass 220 is shown with three
15 sections, it may have more or less, based on the needs of the acoustic attenuator 170. The mass 200 also may include a race 405 to engage an O-ring 250, as shown in Fig. 2.

A cut-away view of mass 235 is shown in Fig. 5. The mass 235 includes sections 505, 510, and 515 with different dimensions, based on the needs of the acoustic attenuator 170. The mass 235 includes a race 520 that faces the inner sleeve 205 to engage an O-ring
20 250, as shown in Fig. 2.

Another example acoustic attenuator 170 is shown in Fig. 6. The acoustic attenuator includes one or more vibration dampeners 605 between masses, such as masses 220 and 225. The vibration dampeners 605 may include any material to dampen vibrations in the masses. The vibration dampeners 605 may also help to prevent the masses from mechanically
25 degrading and failing due to excessive vibration. Some example vibration dampeners 605 include an electrometric compound. Example vibration dampeners 605 may include spring materials, such as rubber.

In addition to the vibration dampeners 605, the acoustic attenuator 170 may also include a viscous fluid 610 within the acoustic attenuator 170. The viscous fluid 610
30 dampens the vibrations of the masses by presenting a resistance to motion. The viscous fluid

610 may also help to couple the masses to the inner sleeve 210 or the outer sleeve 215. The viscous fluid 610 may include any fluid, including air, oil based compounds, water based compounds, or silicon based compounds that provide a proper viscosity under operating conditions (e.g., downhole while drilling). In some implementations, the viscosity of the viscous liquid may need to be lower if the masses are closer together, and higher if the masses are further apart. The viscous fluid may have other properties, including, for example, low compressibility and non-conductivity. In certain implementations where the acoustic attenuator is packaged in, for example, the drill collar 145, the viscous fluid may be a lubricant to lubricate other elements in the oil well drilling equipment 100. One example viscous fluid 610 may include silicon or another fluid with a very high viscosity (e.g., greater than 10,000 centistokes).

The acoustic attenuator 140 may also include one or more pressure stabilizers 615. The pressure stabilizer 615 may include any device to change the pressure within the acoustic attenuator 170 relative to the pressure outside of the acoustic attenuator 170. One example pressure stabilizer 615 includes a piston to equalize the pressure inside and outside of the acoustic attenuator 170 without allowing the viscous fluid 610 to escape from the acoustic attenuator 170.

The acoustic attenuator housing, formed by inner sleeve 210 and outer sleeve 215 may include one or more grooves, such as groove 615. The groove 615 may be filled with an acoustic dampening material to dampen acoustic waves in the drillpipe 140. Other dampening materials may include a rubber matrix with one or more high density materials (e.g., tungsten) in the matrix.

A flow chart illustrating the operation of the acoustic attenuator 170 is shown in Fig. 7. The acoustic attenuator 170 receives acoustic energy in a wave traveling along the drillpipe 140 (block 705). The acoustic wave includes an axial vibration mode relative to the drillpipe. The acoustic attenuator 170 dissipates a portion of the energy in the axial vibration mode (block 710). In one example acoustic attenuator 170, the acoustic dampening material in the groove 615 converts the acoustic energy into heat or another form of energy. The acoustic attenuator 170 then converts a portion of the energy that is in the axial mode to a flexural mode (block 715). In one example acoustic attenuator 170, the masses begin resonating

when the acoustic energy is applied, converting a portion of the energy in the axial mode to the flexural mode. The system then dissipates a portion of the acoustic energy that has been converted to the flexural mode (block 720). In one example acoustic attenuator 170, the masses vibrate against vibration dampeners 605, viscous fluid 610, and rubber O-rings 250. Each of these presents an impedance to the vibration of the masses, dissipating a portion of the energy in the flexural mode.

The acoustic attenuator 170 may attenuate certain frequency components depending on its design and implementation. An example acoustic attenuator 170 may provide a 10 dB attenuation of a target frequency or range of frequencies.

The present invention is therefore well-adapted to carry out the objects and attain the ends mentioned, as well as those that are inherent therein. While the invention has been depicted, described and is defined by references to examples of the invention, such a reference does not imply a limitation on the invention, and no such limitation is to be inferred. The invention is capable of considerable modification, alteration and equivalents in form and function, as will occur to those ordinarily skilled in the art having the benefit of this disclosure. The depicted and described examples are not exhaustive of the invention. Consequently, the invention is intended to be limited only by the spirit and scope of the appended claims, giving full cognizance to equivalents in all respects.

Claims

What is claimed is:

1. An attenuator to attach to a pipe, including:
a housing including an inner sleeve and an outer sleeve;
5 one or more masses, in the housing, to resonate when exposed to waves including
acoustic frequency components.
2. The attenuator of claim 1, where:
one or more of the masses include:
an affixed edge in contact with the housing; and
10 an unaffixed edge not in contact with the housing.
3. The attenuator of claim 2, where:
one or more unaffixed edges include races to engage an edge dampener.
4. The attenuator of claim 3, where:
the edge dampener includes an O-ring.
- 15 5. The attenuator of claim 4, where:
the O-ring includes rubber.
6. The attenuator of claim 1, where:
one or more of the masses are in acoustic contact with the inner diameter of the
housing.
- 20 7. The attenuator of claim 6, where:
one or more of the masses are intimately connected to the inner diameter of the
housing.
8. The attenuator of claim 7, where:
one or more of the masses are welded to the inner diameter of the housing.
- 25 9. The attenuator of claim 1, where:
one or more of the masses are in acoustic contact with the outer diameter of the
housing
10. The attenuator of claim 9, where:
one or more of the masses are intimately connected to the outer diameter of the
30 housing.

11. The attenuator of claim 10, where:
one or more of the masses are welded to the outer diameter of the housing.
12. The attenuator of claim 1, where:
the housing includes threading to engage the one or more masses.
- 5 13. The attenuator of claim 1, where:
the masses are expandable to contact the housing.
14. The attenuator of claim 13, where:
the masses are expandable by compressive force.
15. The attenuator of claim 1, where:
10 the inner sleeve, outer sleeve, and masses each expand at a rate of expansion when
exposed to heat;
the masses have a higher rate of expansion than the outer sleeve; and
the masses have a lower rate of expansion than the inner sleeve.
16. The attenuator of claim 1, including:
15 one or more dampeners placed between adjacent masses to dampen the vibrations of
the masses.
17. The attenuator of claim 16, where:
one or more of the dampeners include an electrometric compound.
18. The attenuator of claim 1, including:
20 a viscous fluid in contact with one or more masses to dampen the vibrations of the
masses.
19. The attenuator of claim 18, where:
the viscous fluid includes silicon.
20. The attenuator of claim 1, where:
25 the inner and outer sleeves are substantially cylindrical.
21. The attenuator of claim 1, where:
the housing includes a drill collar to engage the pipe.
22. The attenuator of claim 21, where:
the drill collar includes an inner diameter and an outer diameter; and
30 where the inner diameter includes one or more grooves.

23. The attenuator of claim 22, where
one or more of the grooves are filled with an acoustic dampening material.
24. The attenuator of claim 23, where
the acoustic dampening material includes rubber and tungsten.
- 5 25. The attenuator of claim 1, including:
a pressure equalizer to substantially equalize a pressure within the housing with a
pressure outside the housing.
26. The attenuator of claim 25, where:
the pressure equalizer includes a piston.
- 10 27. The attenuator of claim 1, where the acoustic frequency components are characterized
by a low frequency.
28. The attenuator of claim 27, where the low frequency is below 2.5 kHz.
29. The attenuator of claim 27, where the low frequency is below 2 kHz.

30. A logging-while-drilling system including:
a drillstring;
one or more acoustic attenuators in contact with the drillstring to dampen acoustic waves traveling along the drillpipe.
- 5 31. The logging-while-drilling system of claim 30, where one or more acoustic attenuators include:
a housing including an inner sleeve and an outer sleeve;
one or more masses, in the housing, to resonate when exposed to waves including acoustic frequency components.
- 10 32. The logging-while-drilling system of claim 31, where:
one or more of the masses include:
an affixed edge in contact with the housing; and
an unaffixed edge not in contact with the housing.
33. The logging-while-drilling system of claim 31, where:
15 one or more unaffixed edges each includes a race to engage an edge dampener.
34. The logging-while-drilling system of claim 33, where:
the edge dampener includes an O-ring.
35. The logging-while-drilling system of claim 31, where:
the housing includes threading to engage the one or more masses.
- 20 36. The logging-while-drilling system of claim 31, where:
the masses are expandable to contact the housing.
37. The logging-while-drilling system of claim 36, where:
the masses are expandable by compressive force.
38. The logging-while-drilling system of claim 31, where:
25 the inner sleeve, outer sleeve, and masses each expand at a rate of expansion when exposed to heat;
the masses have a higher rate of expansion than the outer sleeve; and
the masses have a lower rate of expansion than the inner sleeve.
39. The logging-while-drilling system of claim 31, where one or more acoustic attenuators
30 include:

one or more dampeners place between adjacent masses to dampen the vibrations of the masses.

40. The logging-while-drilling system of claim 39, where:

one or more of the dampeners include an electrometric compound.

5 41. The logging-while-drilling system of claim 31, where one or more acoustic attenuators include:

a viscous fluid in contact with one or more masses to dampen the vibrations of the masses.

42. The logging-while-drilling system of claim 41, where:

10 the viscous fluid includes silicon.

43. The logging-while-drilling system of claim 31, where:

the inner and outer sleeves are substantially cylindrical.

44. The logging-while-drilling system of claim 31, where:

the housing includes a drill collar to engage the pipe.

15 45. The logging-while-drilling system of claim 44, where:

the drill collar includes an inner diameter and an outer diameter; and where the inner diameter includes one or more grooves.

46. The logging-while-drilling system of claim 45, where

one or more of the grooves are filled with an acoustic dampening material.

20 47. The logging-while-drilling system of claim 46, where

the acoustic dampening material includes rubber and tungsten.

48. The logging-while-drilling system of claim 30, including:

a plurality of acoustic attenuators.

49. A method of attenuating acoustic energy in a pipe, the acoustic energy traveling in waves that include an axial vibration mode, the method including:
converting a portion of the energy in the axial vibration mode to a flexural mode.
50. The method of claim 49, where converting a portion of the energy in the axial vibration
5 mode to a flexural mode includes:
coupling one or more masses with the pipe, where each of the masses resonate at one
or more acoustic frequencies.
51. The method of claim 49, including:
dissipating a portion of the energy in the flexural mode.
- 10 52. The method of claim 51, where one or more of the masses are disposed in a viscous
fluid, and where dissipating a portion of the energy in the flexural mode includes:
allowing the masses to resonate within the viscous fluid.
53. The method of claim 49, including:
dissipating a portion of the energy in the axial vibration mode.
- 15 54. The method of claim 53, where dissipating a portion of the energy in the axial vibration
mode includes:
coupling a drill collar to the pipe, where the drill collar includes an inner diameter and
an outer diameter, and where the inner diameter includes one or more grooves;
disposing an acoustic dampening material within one or more grooves.
- 20 55. The method of claim 54, where:
the acoustic dampening material is in contact will the pipe and the housing.

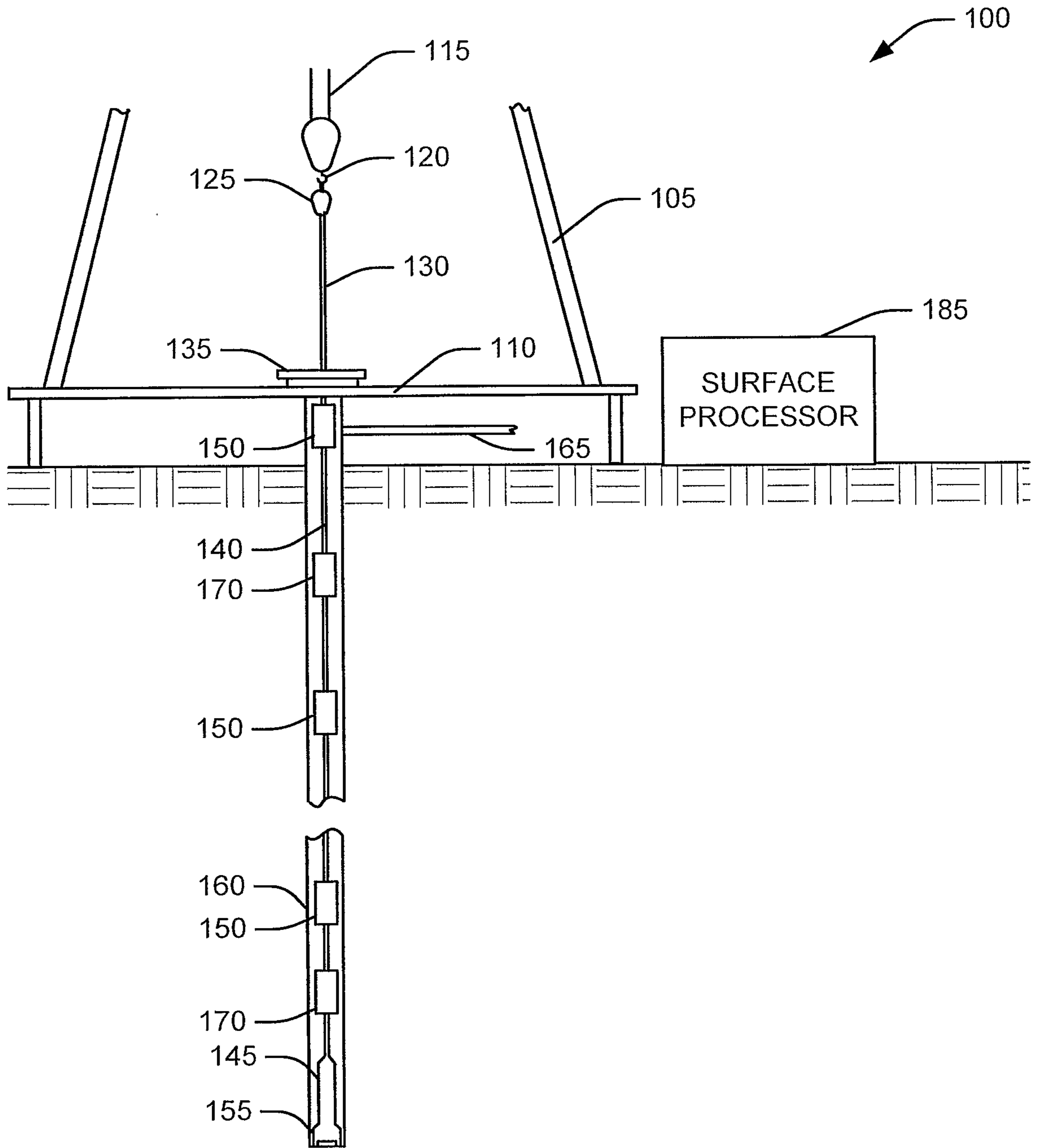


FIG. 1

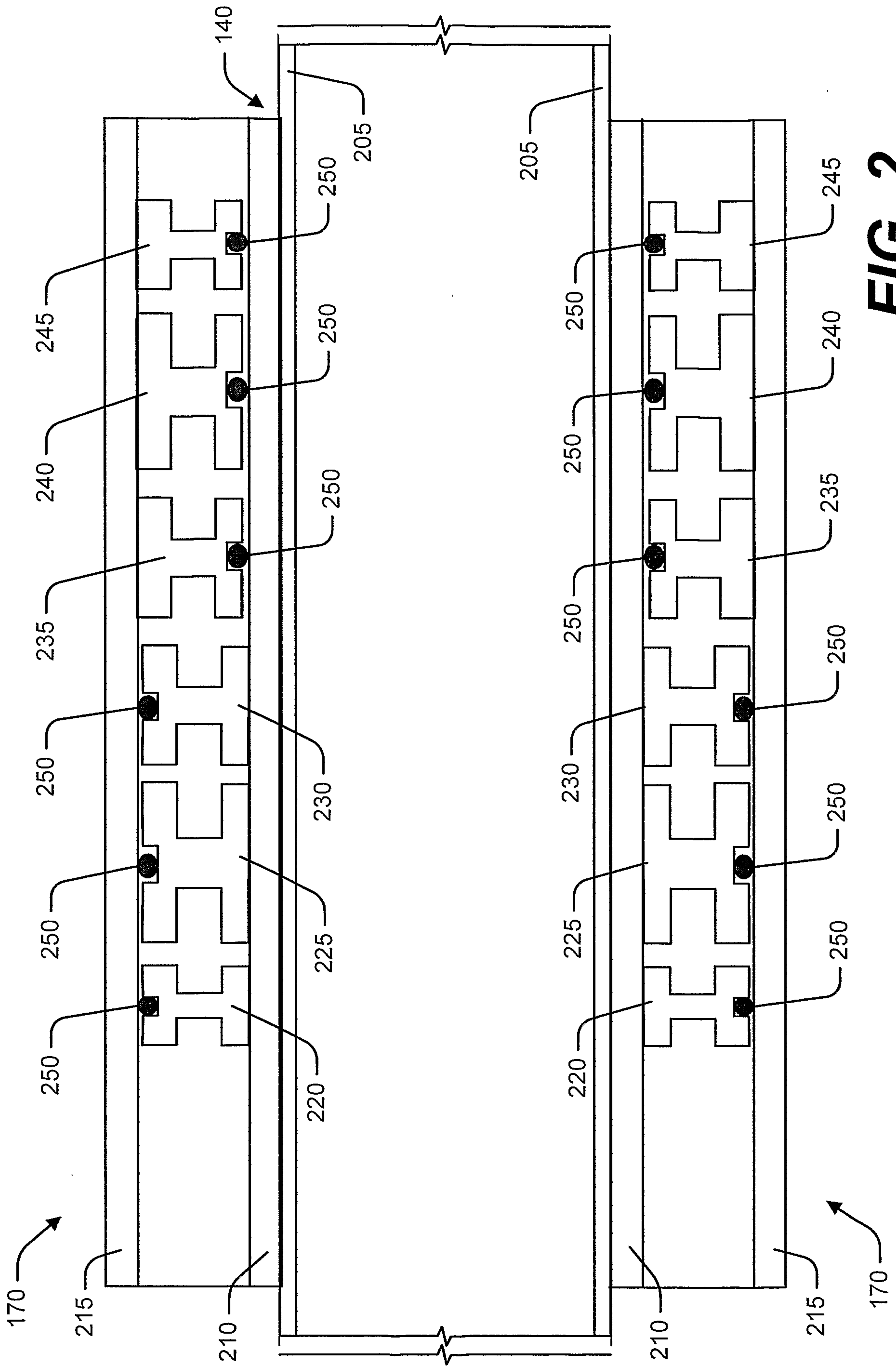


FIG. 2

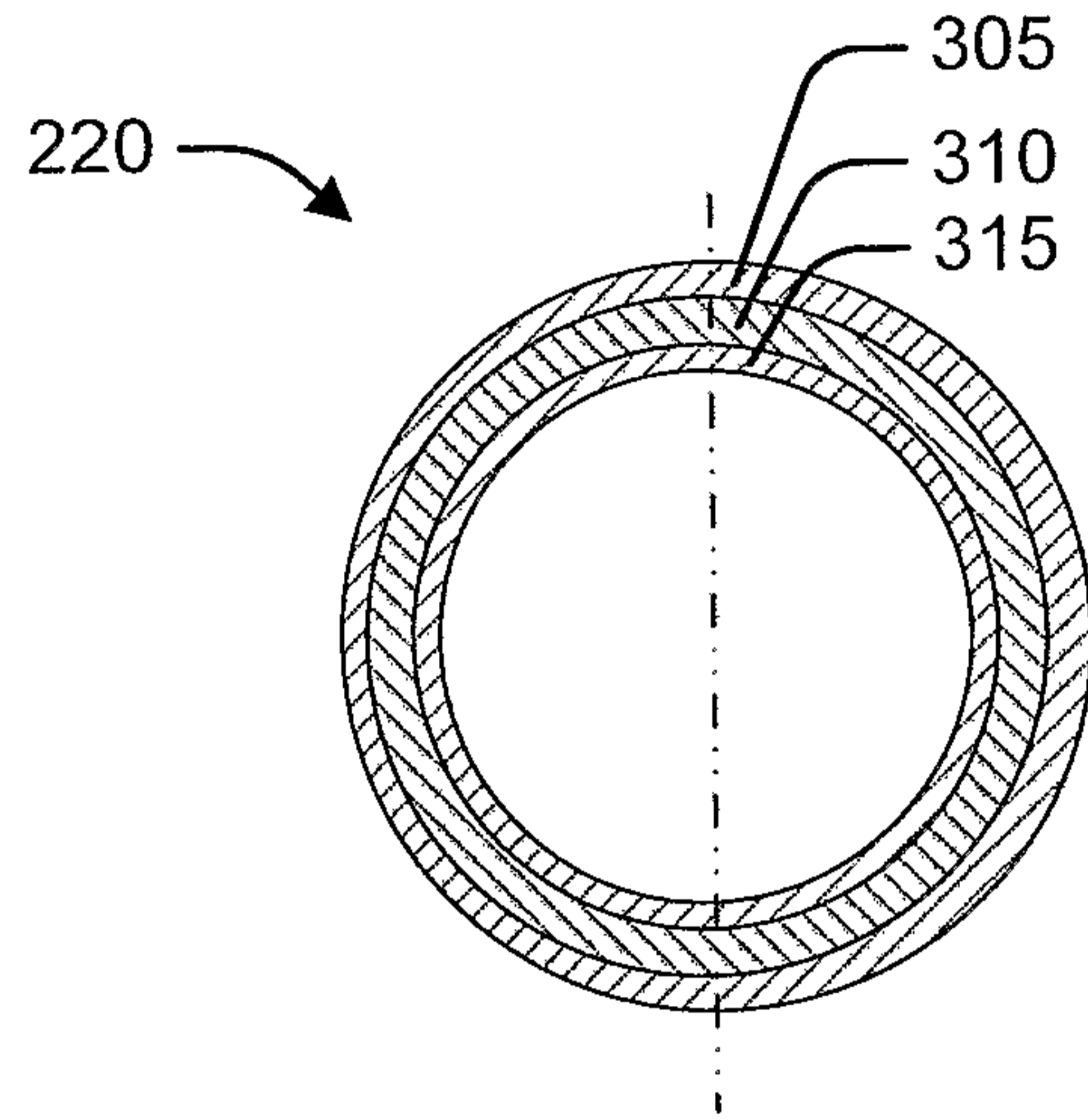


FIG. 3

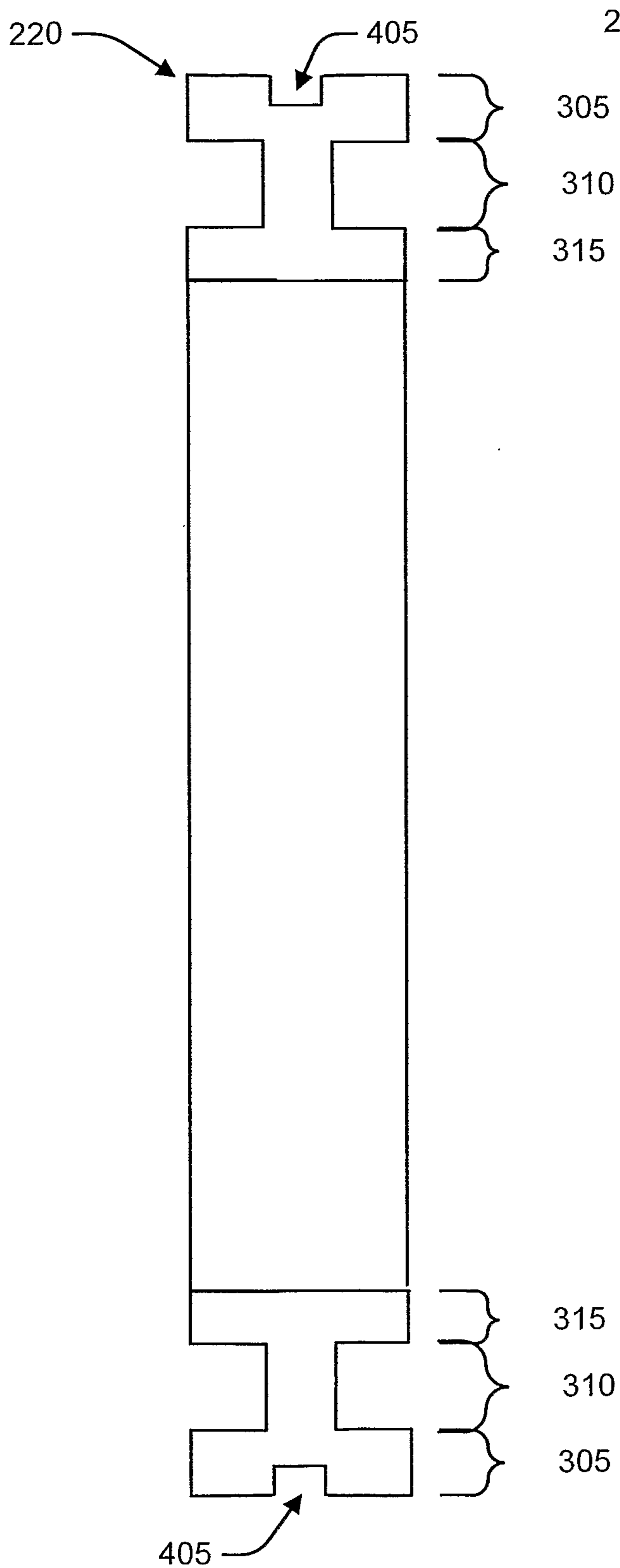


FIG. 4

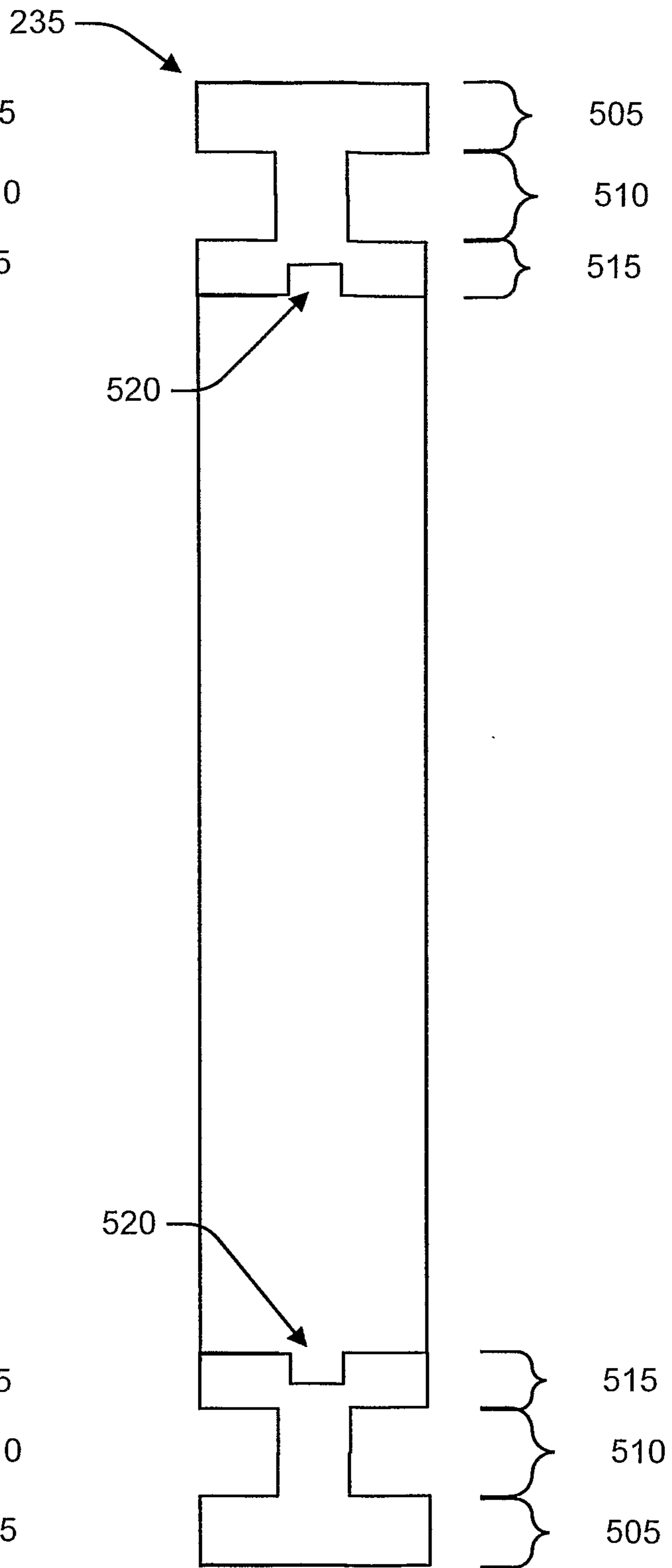


FIG. 5

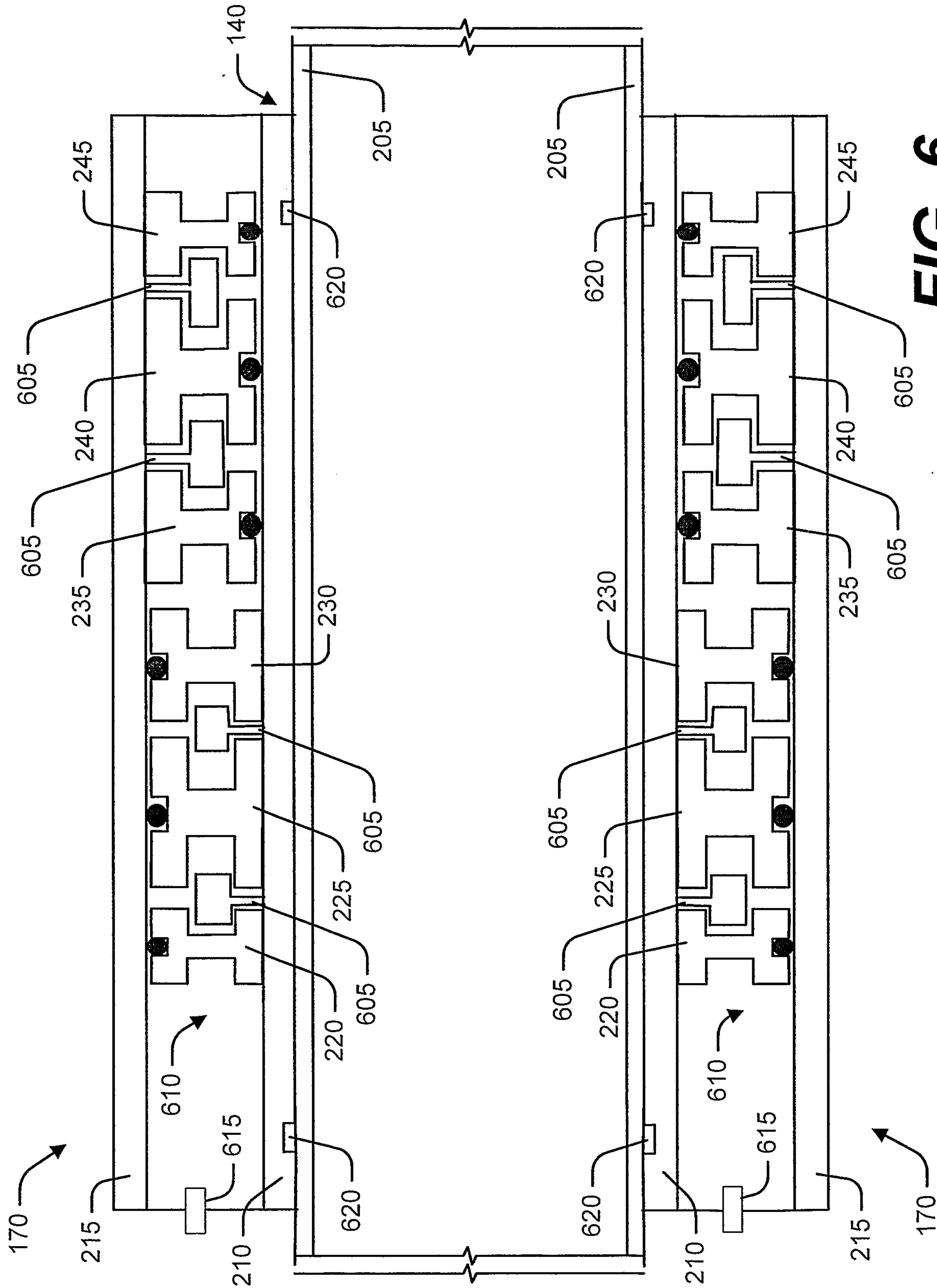
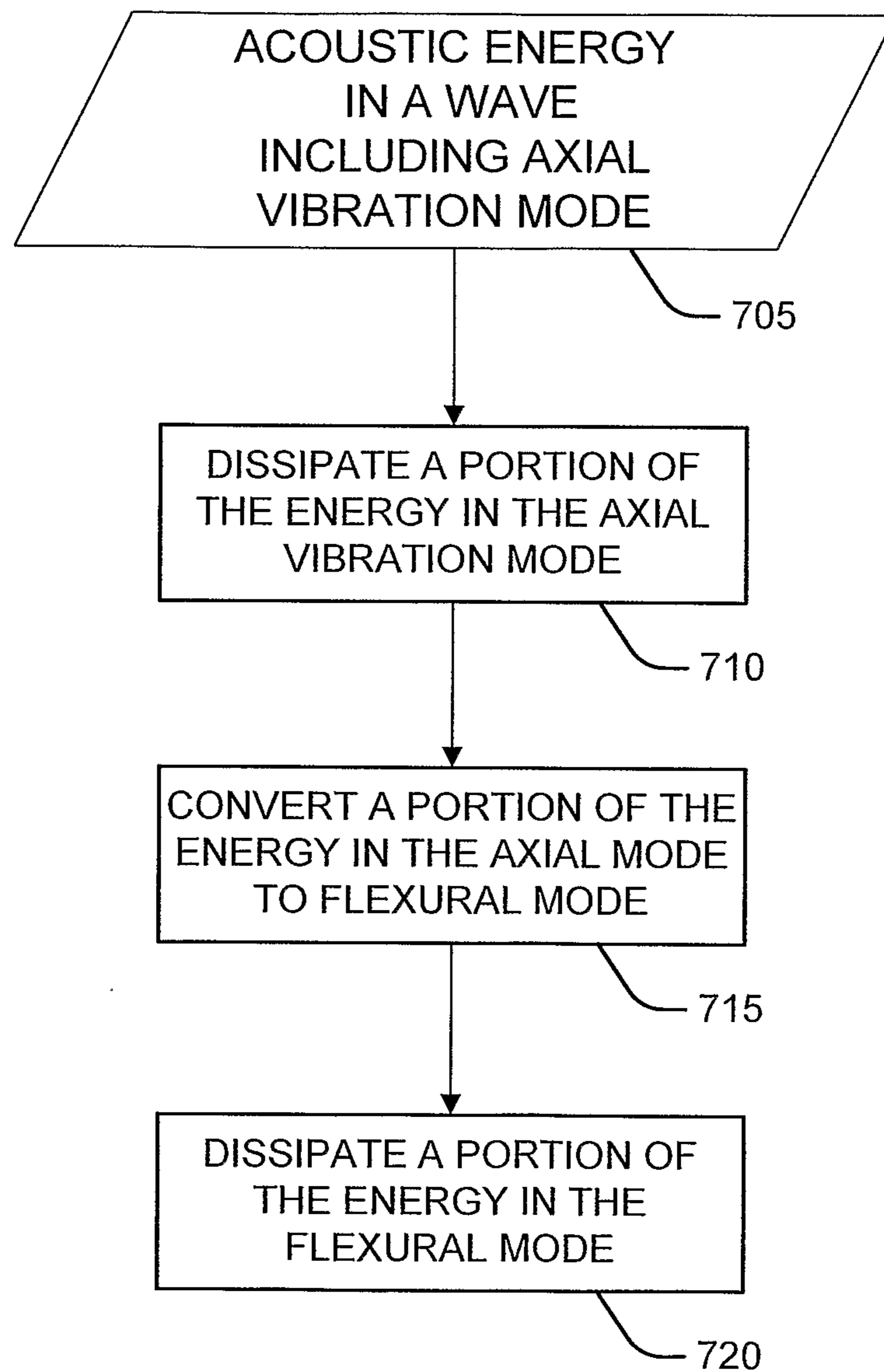


FIG. 6

6/6

**FIG. 7**

