



US00D716944S

(12) **United States Design Patent**  
**Fisher et al.**

(10) **Patent No.:** **US D716,944 S**

(45) **Date of Patent:** **\*\* Nov. 4, 2014**

- (54) **SURGICAL SAW BLADE HUB**
- (75) Inventors: **Michael Fisher**, Reno, NV (US);  
**Barjinder Chana**, Reno, NV (US)
- (73) Assignee: **Synvasive Technology, Inc.**, Reno, NV (US)
- (\*\*) Term: **14 Years**
- (21) Appl. No.: **29/398,735**
- (22) Filed: **Aug. 3, 2011**
- (51) **LOC (10) Cl.** ..... **24-02**
- (52) **U.S. Cl.**  
USPC ..... **D24/146**
- (58) **Field of Classification Search**  
USPC ..... D24/146, 147; 606/167, 176-178, 79, 606/82; D8/20, 26, 64, 95-97, 70, 98, 99; 30/338, 339, 392, 43.91, 43.92, 43.8, 30/43.7, 166.3, 165, 371, 373  
See application file for complete search history.

4,386,609 A	6/1983	Mongeon	
4,461,296 A	7/1984	Hodge	
4,513,742 A	4/1985	Arnegger	
4,584,999 A	4/1986	Arnegger	
4,617,930 A *	10/1986	Saunders	606/82
4,628,717 A	12/1986	Blum	
4,637,391 A	1/1987	Schlein	
4,872,452 A	10/1989	Alexson	
4,934,056 A	6/1990	Leini	
5,002,555 A	3/1991	Petersen	
D323,278 S	1/1992	Zwick	
5,122,142 A	6/1992	Pascaloff	
5,135,533 A *	8/1992	Petersen et al.	606/176
5,178,626 A	1/1993	Pappas	
5,217,150 A	6/1993	Chen	
D337,160 S	7/1993	Evans	
5,263,972 A	11/1993	Evans et al.	
5,265,343 A	11/1993	Pascaloff	
D343,247 S	1/1994	Walen	
5,284,244 A	2/1994	O-Toole	
D346,318 S	4/1994	Evans	

(Continued)

*Primary Examiner* — Ian Simmons  
*Assistant Examiner* — Carissa C Fitts  
(74) *Attorney, Agent, or Firm* — Seager, Tufte & Wickem, LLC

(56) **References Cited**

U.S. PATENT DOCUMENTS

D3,994 S	4/1870	Moore	
D4,255 S	7/1870	Rhodes	
D4,497 S	11/1870	Rhodes	
D4,706 S	3/1871	Kidd	
D5,226 S	8/1871	Miller	
D170,202 S *	8/1953	Knapp	D8/95
D187,633 S *	4/1960	Bower	D8/97
D188,173 S *	6/1960	Ehram	D8/95
3,016,932 A	1/1962	Jacobson	
D206,369 S *	11/1966	Knapp	D8/95
3,899,828 A	8/1975	Bosco	
3,905,374 A	9/1975	Winter	
3,943,934 A	3/1976	Bent	
4,106,181 A	8/1978	Mattchen	
4,269,311 A	5/1981	Rich	
D263,879 S	4/1982	Mann	

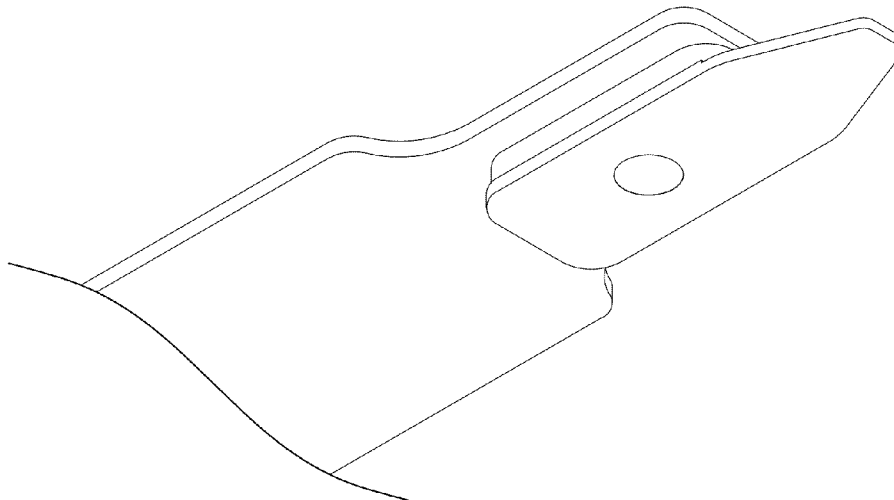
(57) **CLAIM**

The ornamental design for a surgical saw blade hub, as shown and described.

**DESCRIPTION**

FIG. 1 is a bottom perspective view of a surgical saw blade hub showing our new design;  
FIG. 2 is a bottom view thereof; and,  
FIG. 3 is a side view thereof.  
The broken line showing is for environmental purposes only and forms no part of the claimed design.  
The break lines applied to the drawings represent no particular length and form no part of the claimed design.

**1 Claim, 3 Drawing Sheets**



(56)

References Cited

U.S. PATENT DOCUMENTS

5,306,285 A 4/1994 Miller  
 D348,194 S 6/1994 Tanis  
 D351,907 S 10/1994 Matthai et al.  
 5,382,249 A 1/1995 Fletcher  
 5,392,910 A 2/1995 Bell et al.  
 5,403,318 A 4/1995 Boehringer et al.  
 D360,946 S 8/1995 Goris  
 5,439,472 A 8/1995 Evans et al.  
 D362,065 S 9/1995 Goris  
 5,453,043 A 9/1995 Monson  
 5,489,285 A 2/1996 Gorgis  
 5,496,316 A 3/1996 Gorgis  
 5,507,763 A 4/1996 Peterson et al.  
 5,554,165 A 9/1996 Raitt et al.  
 D385,163 S 10/1997 Hutchins et al.  
 D385,164 S 10/1997 Hutchins et al.  
 5,681,314 A 10/1997 Derouin et al.  
 5,694,693 A 12/1997 Hutchins  
 5,725,530 A 3/1998 Popken  
 5,735,866 A 4/1998 Adams et al.  
 D394,315 S 5/1998 Fisher  
 D402,516 S 12/1998 Okada  
 D404,485 S 1/1999 Hutchins et al.  
 D405,177 S 2/1999 Hutchins et al.  
 5,916,218 A 6/1999 Hagen et al.  
 6,007,541 A 12/1999 Scott  
 6,063,083 A 5/2000 Duong-Van  
 D448,634 S 10/2001 Hickman  
 D455,490 S 4/2002 Pascaloff  
 6,363,614 B1 4/2002 Umstead et al.  
 D459,805 S 7/2002 Pascaloff  
 6,503,253 B1 1/2003 Fletcher et al.  
 D470,739 S 2/2003 Chen  
 D481,129 S 10/2003 DiCesare et al.  
 6,647,629 B2 11/2003 Farland  
 6,701,628 B2 3/2004 Mang  
 D489,823 S 5/2004 Fisher et al.  
 6,770,071 B2 8/2004 Woloszko et al.  
 6,775,912 B2 8/2004 Panfili et al.  
 6,857,192 B1 2/2005 Summers et al.  
 6,896,679 B2 \* 5/2005 Danger et al. .... 606/82  
 7,017,271 B1 3/2006 Parsons et al.  
 7,060,072 B2 6/2006 Wolff et al.

D525,707 S 7/2006 Kullmer et al.  
 D536,791 S 2/2007 Eskridge et al.  
 7,243,791 B2 7/2007 Detruit et al.  
 D552,239 S 10/2007 Wolf  
 D554,256 S 10/2007 Eskridge et al.  
 7,306,366 B1 12/2007 Camenzind et al.  
 7,322,985 B2 1/2008 Lee  
 D576,729 S 9/2008 Tanaka et al.  
 D578,848 S 10/2008 Camacho  
 7,475,776 B2 1/2009 Detruit et al.  
 D586,633 S 2/2009 Taylor et al.  
 7,527,628 B2 5/2009 Fletcher et al.  
 D603,231 S 11/2009 Fisher et al.  
 D622,383 S 8/2010 Fisher et al.  
 D622,384 S 8/2010 Fisher et al.  
 D622,385 S 8/2010 Fisher et al.  
 D622,386 S 8/2010 Fisher et al.  
 D622,848 S 8/2010 Fisher et al.  
 D622,849 S 8/2010 Fisher et al.  
 D622,850 S 8/2010 Fisher et al.  
 D627,884 S 11/2010 Fisher et al.  
 D629,900 S 12/2010 Fisher  
 7,901,424 B2 3/2011 Fletcher et al.  
 D642,264 S 7/2011 Fisher et al.  
 D651,499 S \* 1/2012 Tong ..... D8/70  
 D654,167 S 2/2012 Fisher et al.  
 D654,590 S 2/2012 Fisher et al.  
 D661,805 S \* 6/2012 Detry ..... D24/146  
 D665,908 S \* 8/2012 Detry ..... D24/146  
 D680,831 S \* 4/2013 Zhang ..... D8/20  
 D682,652 S \* 5/2013 McRoberts et al. .... D8/70  
 8,444,647 B2 \* 5/2013 Walen et al. .... 606/82  
 D687,275 S \* 8/2013 Neitzell ..... D8/20  
 D693,193 S \* 11/2013 Bozic ..... D8/20  
 D694,077 S \* 11/2013 Bozic ..... D8/20  
 D695,083 S \* 12/2013 Neitzell et al. .... D8/20  
 2003/0014067 A1 1/2003 Kullmer et al.  
 2003/0200619 A1 10/2003 Kelsey et al.  
 2004/0199167 A1 10/2004 Fletcher et al.  
 2005/0245935 A1 \* 11/2005 Casey et al. .... 606/82  
 2007/0169353 A1 7/2007 Wu  
 2009/0093814 A1 \* 4/2009 Fletcher et al. .... 606/82  
 2009/0093815 A1 \* 4/2009 Fletcher et al. .... 606/82  
 2011/0277611 A1 \* 11/2011 Chen et al. .... 83/699.51  
 2011/0316242 A1 \* 12/2011 Zhang et al. .... 279/143

\* cited by examiner

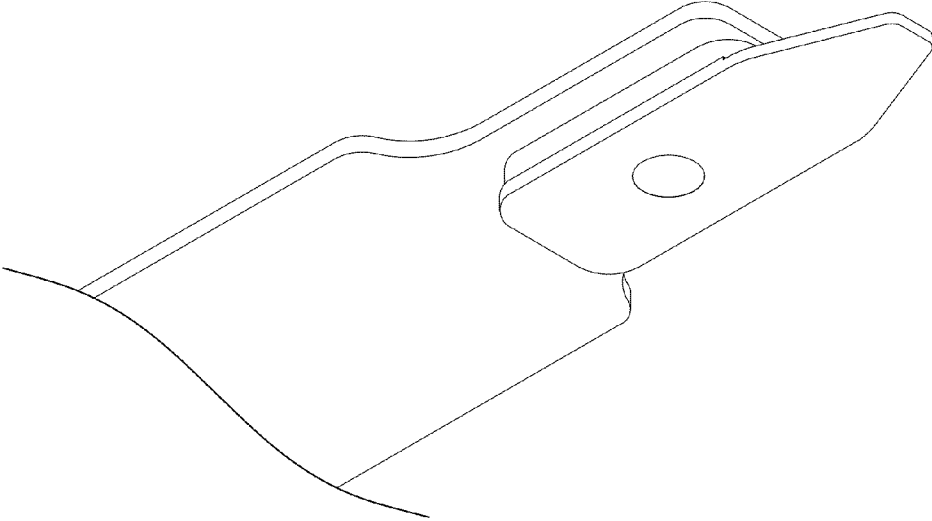


FIG. 1

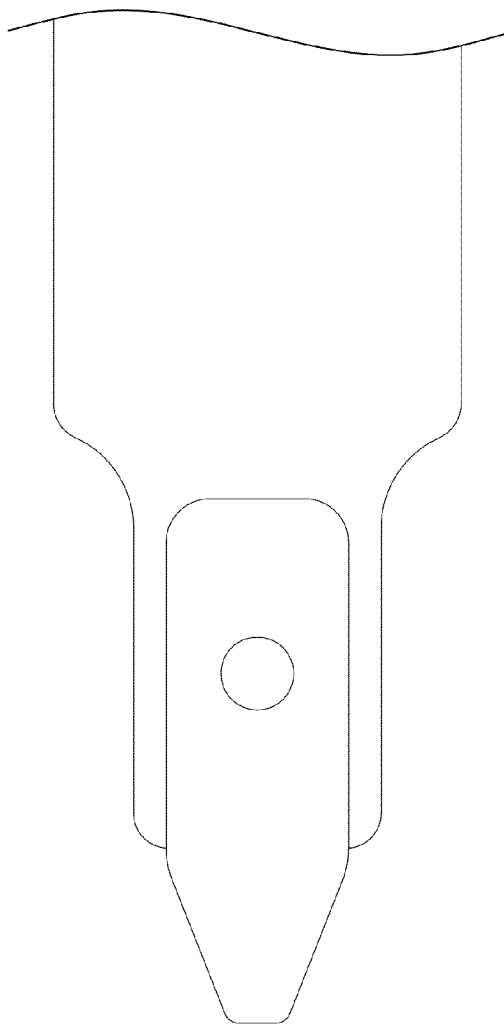


FIG. 2

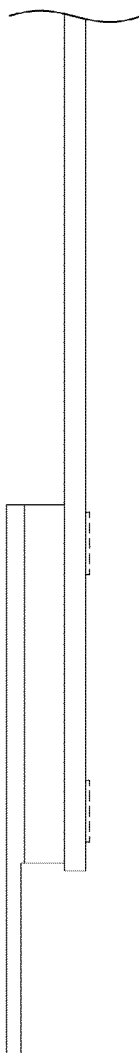


FIG. 3