



US00D690266S

(12) **United States Design Patent**  
**Dachs, II**

(10) **Patent No.:** **US D690,266 S**

(45) **Date of Patent:** **\*\* Sep. 24, 2013**

(54) **CONNECTOR INTERFACE FOR A CABLE**

(71) Applicant: **Intuitive Surgical Operations, Inc.**,  
Sunnyvale, CA (US)

(72) Inventor: **Gregory W. Dachs, II**, San Mateo, CA  
(US)

(73) Assignee: **Intuitive Surgical Operations, Inc.**,  
Sunnyvale, CA (US)

(\*\*) Term: **14 Years**

(21) Appl. No.: **29/436,260**

(22) Filed: **Nov. 2, 2012**

(51) **LOC (9) Cl.** ..... **13-03**

(52) **U.S. Cl.**  
USPC ..... **D13/133**

(58) **Field of Classification Search**  
USPC ..... D13/133, 146-147, 154, 158, 162,  
D13/173, 177, 184, 199; 439/344, 378, 395,  
439/409, 676, 607.04, 607.12, 607.14, 607.15,  
439/685, 692, 732, 907, 908; D1/107, 111;  
D14/432, 433, 438, 439; D21/488, 503,  
D21/597, 599

See application file for complete search history.

(56) **References Cited**

U.S. PATENT DOCUMENTS

|           |    |   |        |              |       |         |
|-----------|----|---|--------|--------------|-------|---------|
| 2,249,618 | A  | * | 7/1941 | Perkins      | ..... | 439/692 |
| 5,350,314 | A  | * | 9/1994 | Saba         | ..... | 439/378 |
| D488,130  | S  | * | 4/2004 | Hsiao        | ..... | D13/145 |
| 6,997,723 | B2 | * | 2/2006 | Lee          | ..... | 439/92  |
| D563,883  | S  | * | 3/2008 | Dever        | ..... | D13/147 |
| D566,046  | S  | * | 4/2008 | Gabel et al. | ..... | D13/154 |
| D585,380  | S  | * | 1/2009 | So           | ..... | D13/146 |

\* cited by examiner

*Primary Examiner* — Derrick Holland

*Assistant Examiner* — Lauren Calve

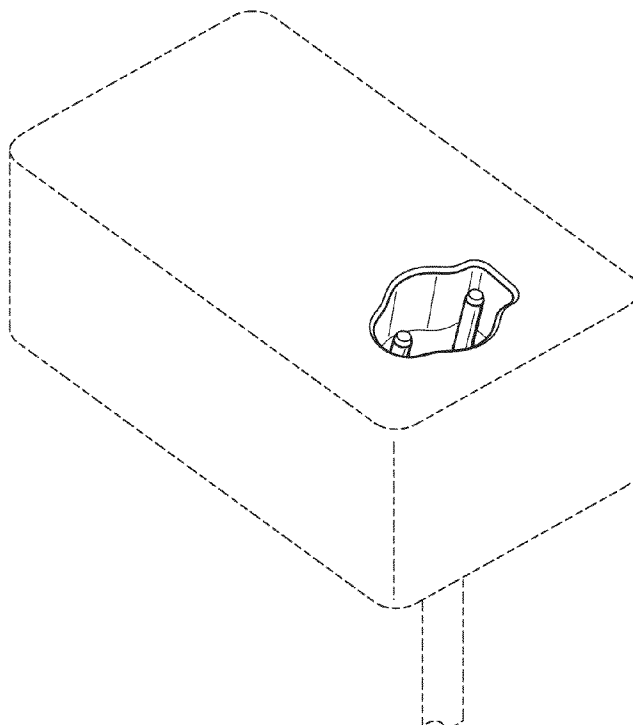
(57) **CLAIM**

The ornamental design for a connector interface for a cable, as shown and described.

**DESCRIPTION**

FIG. 1 is a perspective view of a first embodiment of a connector interface for a cable of my new design. FIG. 2 is a second perspective view thereof. FIG. 3 is a third perspective view thereof. FIG. 4 is a perspective view of a second embodiment of a connector interface for a cable of my new design. FIG. 5 is a second perspective view thereof; and, FIG. 6 is a third perspective view thereof. The broken line showing of a connector interface for a cable represents unclaimed subject matter and forms no part of the claimed design.

**1 Claim, 4 Drawing Sheets**



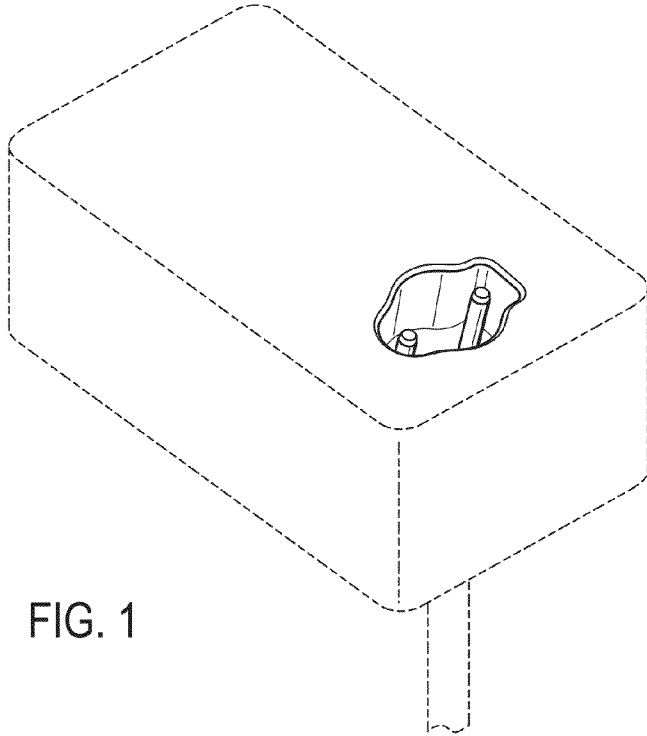
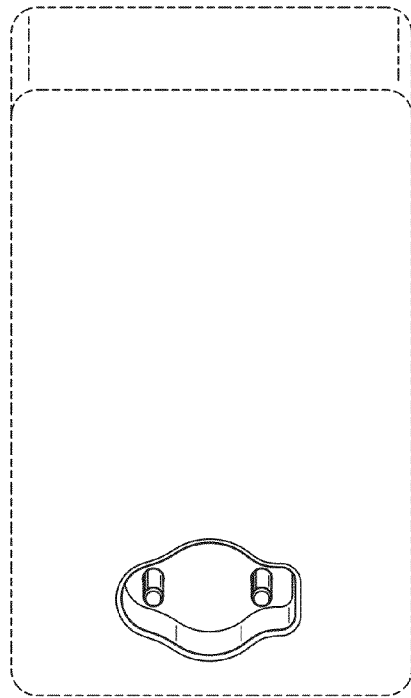


FIG. 2



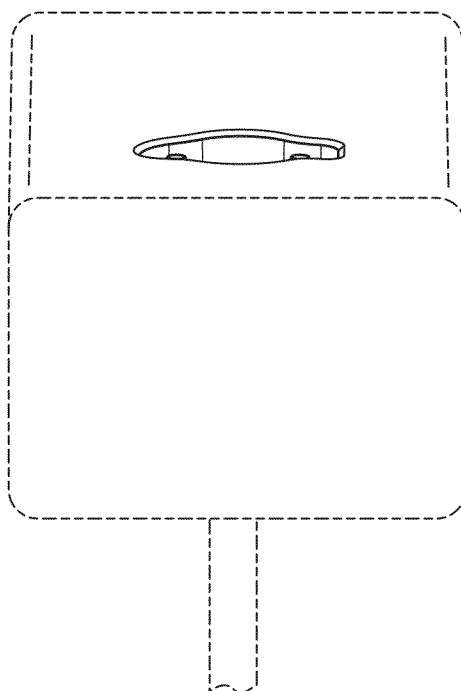


FIG. 3

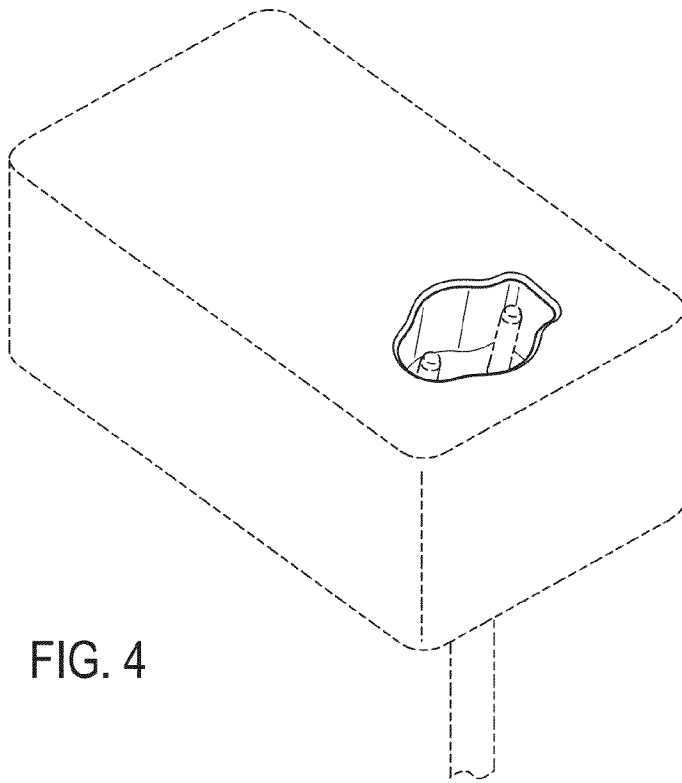


FIG. 4

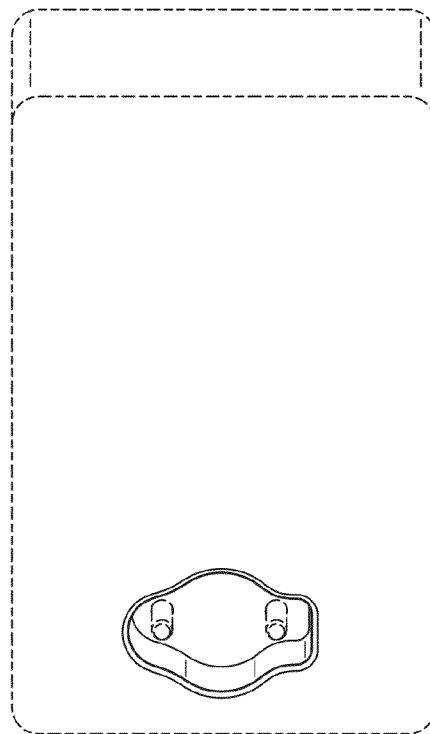


FIG. 5

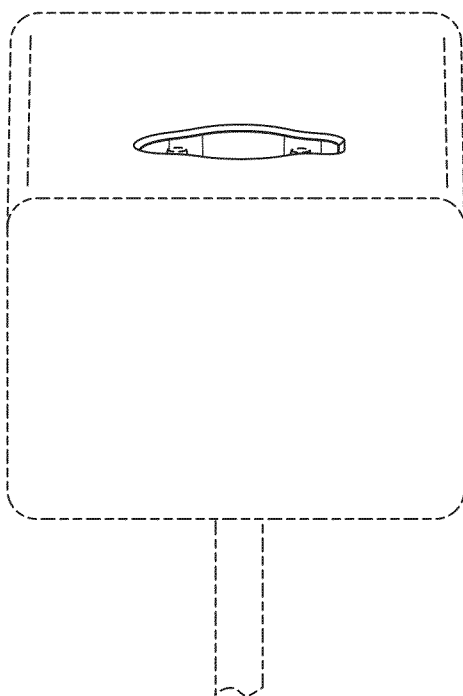


FIG. 6