



US00D356651S

**United States Patent** [19]  
**Stephen**

[11] **Patent Number: Des. 356,651**  
[45] **Date of Patent: \*\* Mar. 21, 1995**

[54] **FLASHLIGHT**

[75] **Inventor: Law Y. F. Stephen, Tuen Mun, Hong Kong**

[73] **Assignee: Value Pool Manufacturing Company Limited, Hong Kong**

[\*\*] **Term: 14 Years**

[21] **Appl. No.: 16,777**

[22] **Filed: Dec. 23, 1993**

[30] **Foreign Application Priority Data**

Jun. 24, 1993 [GB] United Kingdom ..... 2031983  
[52] **U.S. Cl. .... D26/49**  
[58] **Field of Search ..... D26/37-50;**  
362/157, 158, 183, 184, 187-191, 197-200, 202

[56] **References Cited**

**U.S. PATENT DOCUMENTS**

D. 307,057 4/1990 Seok ..... D26/49  
D. 312,138 11/1990 Burns ..... D26/49  
D. 333,527 2/1993 Leung ..... D26/49

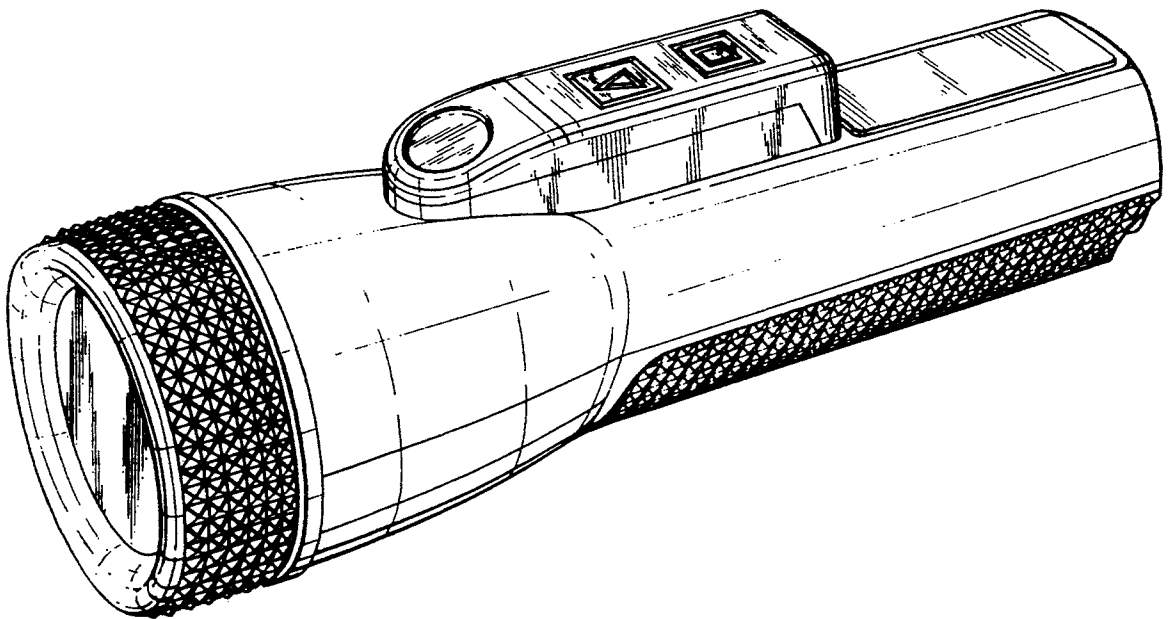
*Primary Examiner*—Susan J. Lucas  
*Attorney, Agent, or Firm*—Klarquist Sparkman  
Campbell Leigh & Whinston

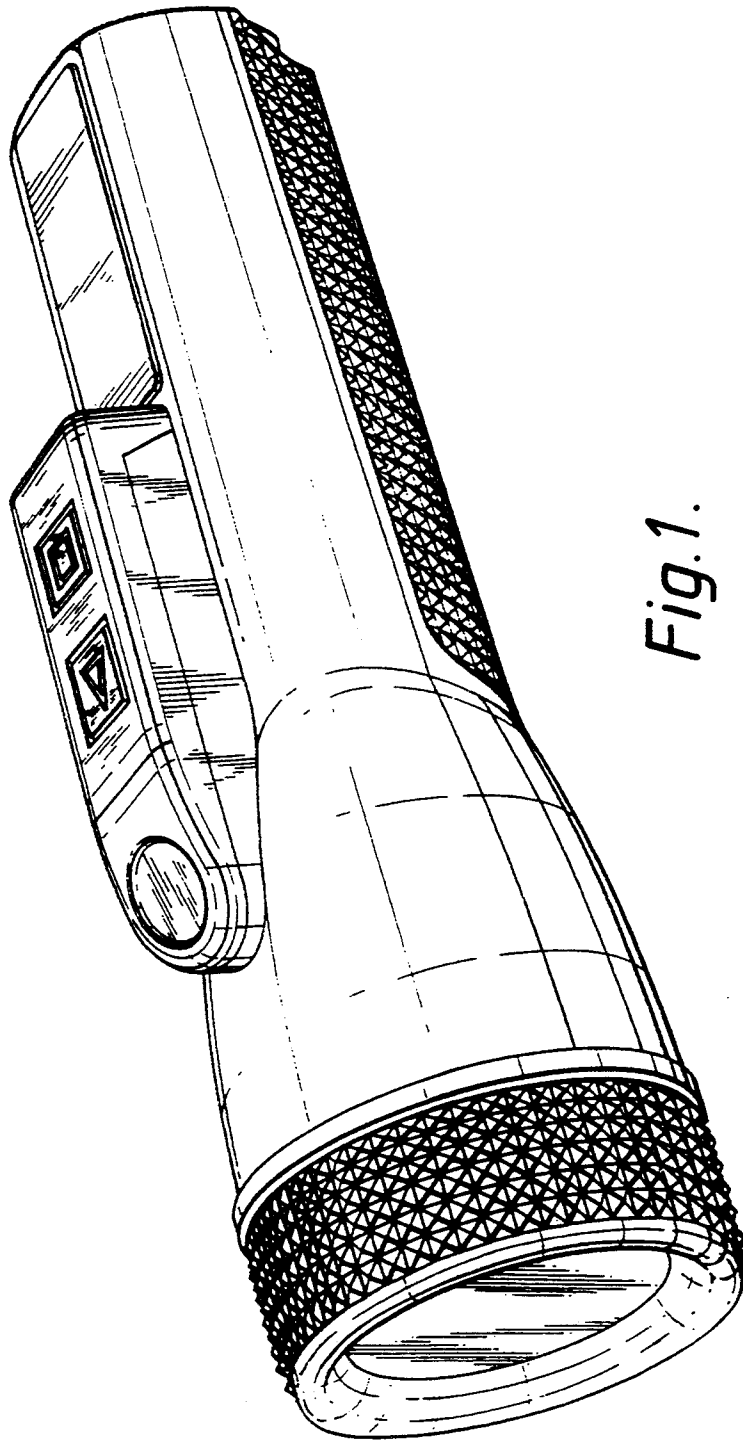
[57] **CLAIM**

The ornamental design for a flashlight, as shown and described.

**DESCRIPTION**

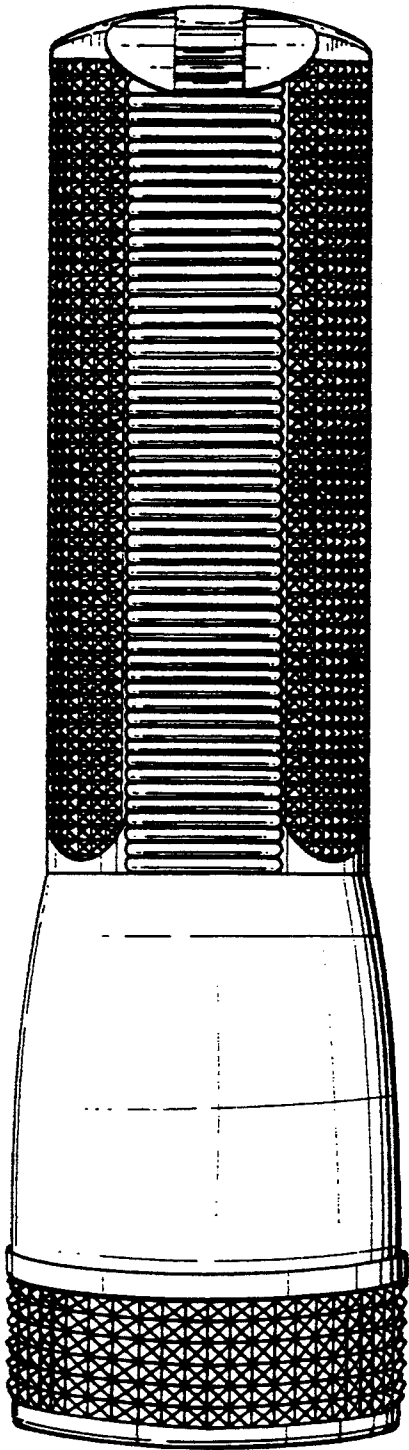
FIG. 1 is a perspective view of a flashlight in accordance with the present invention as viewed from in front thereof;  
FIG. 2 is a side elevation thereof;  
FIG. 3 is a side elevation thereof rotated 90° from its position in FIG. 2;  
FIG. 4 is a rear elevation view thereof; and,  
FIG. 5 is a fragmentary perspective view as viewed from the rear thereof.



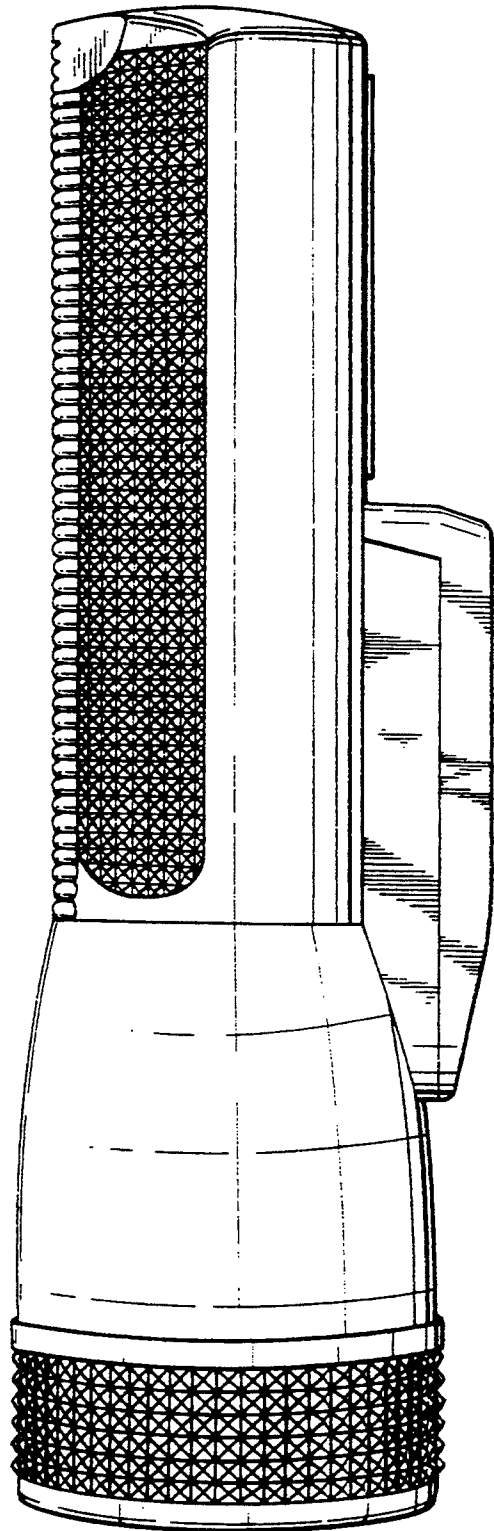


*Fig. 1.*

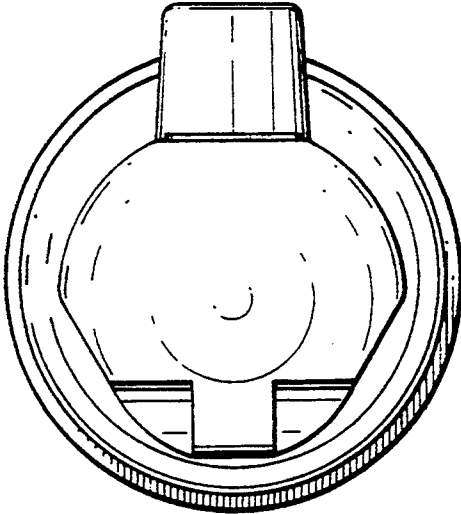
*Fig. 2.*



*Fig. 3.*



*Fig. 4.*



*Fig. 5.*

