



US00D358078S

United States Patent [19]
Klein

[11] **Patent Number: Des. 358,078**
[45] **Date of Patent: ** May 9, 1995**

[54] **TABLE**
[75] **Inventor: Richard S. Klein, Los Angeles, Calif.**
[73] **Assignee: Cal-Style Furniture Mfg. Co., Compton, Calif.**
[**] **Term: 14 Years**
[21] **Appl. No.: 12,643**
[22] **Filed: Sep. 7, 1993**
[52] **U.S. Cl. D6/480; D6/488**
[58] **Field of Search D6/480-489, D6/495-499, 429-431; 108/153-155, 161; 248/188, 188.1**

D. 317,538 6/1991 Wilson D6/495

OTHER PUBLICATIONS

D.I.A. 1988, p. 14, #628-5 at top right.
Marlo Furn-Jun 27, 9192, table at far right front cover.
Carsons-#83925 table.

Primary Examiner—Janice E. Seeger
Attorney, Agent, or Firm—Edgar A. Zarins; Malcolm L. Sutherland

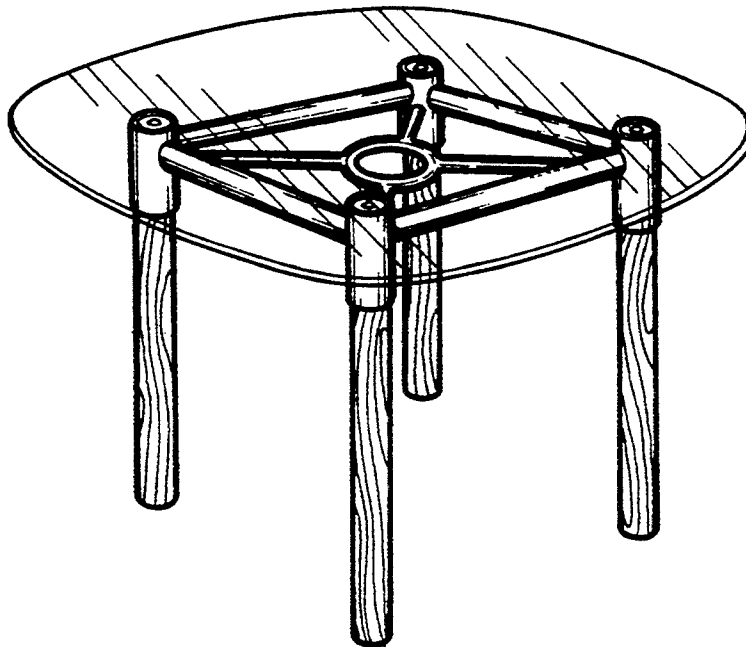
CLAIM

[57] The ornamental design for a table, as shown and described.

DESCRIPTION

FIG. 1 is a perspective view of a table showing my new design;
FIG. 2 is a side elevational view thereof; and,
FIG. 3 is a top plan view thereof.

[56] **References Cited**
U.S. PATENT DOCUMENTS
D. 284,918 8/1986 McBride D6/487 X



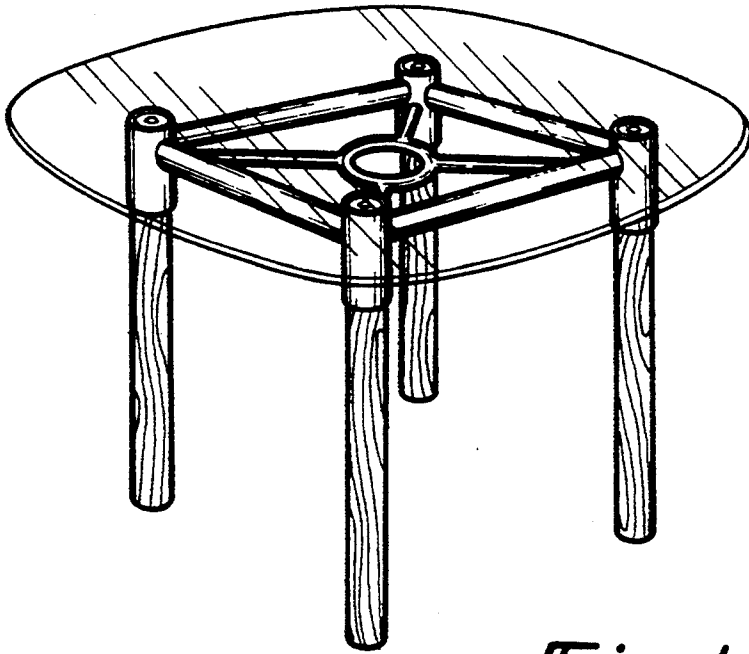


Fig-1

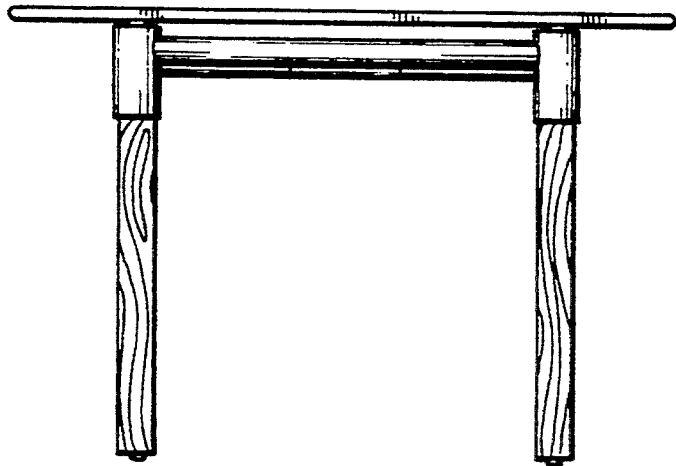


Fig-2

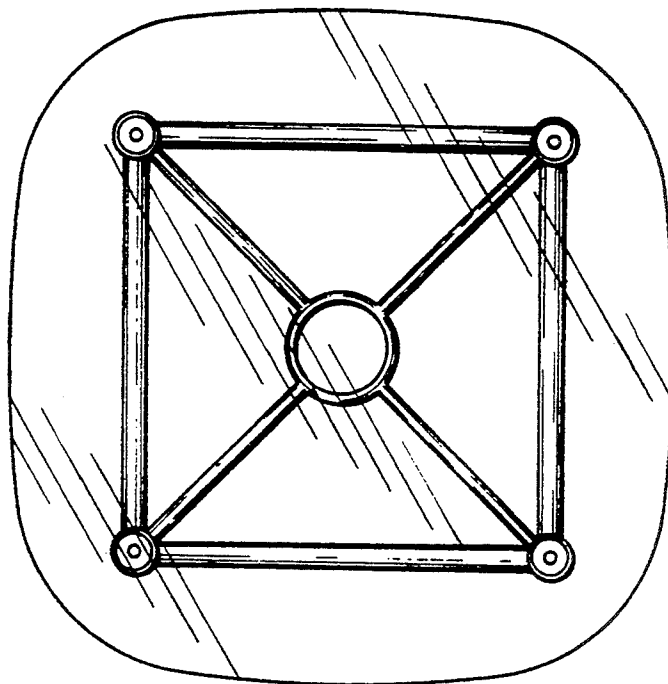


Fig-3