



US00D664706S

(12) **United States Design Patent**  
**Schieffelin et al.**

(10) **Patent No.:** **US D664,706 S**

(45) **Date of Patent:** **\*\* Jul. 31, 2012**

(54) **LUMINAIRE**

(56) **References Cited**

(75) Inventors: **Allison K. Schieffelin**, New Haven, CT (US); **James A. Melling**, New Haven, CT (US); **Wooyeon Cho**, Stratford, CT (US); **Matthew R. Bullard**, Milford, CT (US)

(73) Assignee: **Sylvan R. Shemitz Designs Incorporated**, West Haven, CT (US)

(\*\*) Term: **14 Years**

(21) Appl. No.: **29/375,085**

(22) Filed: **Sep. 17, 2010**

**Related U.S. Application Data**

(63) Continuation of application No. 29/334,102, filed on Mar. 20, 2009, now Pat. No. Des. 626,269.

(51) **LOC (9) Cl.** ..... **26-99**

(52) **U.S. Cl.** ..... **D26/122**

(58) **Field of Classification Search** ..... D26/122, D26/138, 118, 120, 76, 80, 63, 62, 68, 121, D26/155, 152, 2, 24, 25, 26, 28, 46, 47, 48, D26/49, 60, 67, 71, 72, 73, 78, 79, 81, 83, D26/85, 88, 93, 101, 102, 103, 104, 105, D26/110, 113, 119, 123, 124, 128, 127, 129, D26/130, 135, 137, 154, 86, 90, 140, 142, D26/145; 362/362, 363, 326, 329, 330, 342, 362/351, 356, 357, 296, 297, 299, 300, 301, 362/302, 317, 325, 377, 121, 147, 148, 151, 362/171, 186, 218, 219, 648, 650, 257, 279, 362/280, 290, 292, 293; D13/179, 180

See application file for complete search history.

**U.S. PATENT DOCUMENTS**

D26,864 S *	4/1897	Winslow	.....	D25/103
1,941,079 A *	12/1933	Exelmans	.....	362/224
2,194,841 A *	3/1940	Welch	.....	362/217.05
D127,398 S *	5/1941	Jordan	.....	D26/76
D132,296 S *	5/1942	Hoeveler	.....	D26/122
D145,323 S *	7/1946	Nitardy	.....	D26/78
2,421,967 A *	6/1947	Schepmoes	.....	362/223
D152,250 S *	1/1949	Franck et al.	.....	D26/122
D159,300 S *	7/1950	Schwartz et al.	.....	D26/122
D160,417 S *	10/1950	Nitardy	.....	D26/77
D166,370 S *	4/1952	Wilson	.....	D26/85
2,623,160 A *	12/1952	McPhail	.....	362/223
2,741,694 A *	4/1956	Wiig et al.	.....	362/340
3,125,301 A *	3/1964	Stotter	.....	362/217.06
3,973,756 A *	8/1976	Lauzier	.....	256/21

(Continued)

*Primary Examiner* — Kevin Rudzinski

(74) *Attorney, Agent, or Firm* — Cantor Colburn LLP

(57) **CLAIM**

We claim, the ornamental design for a luminaire, as shown and described.

**DESCRIPTION**

FIG. 1 is a perspective view of a luminaire, showing our new design;

FIG. 2 is an enlarged top plan view thereof, shown broken away for convenience of illustration;

FIG. 3 is an enlarged side elevation view thereof shown broken away for convenience of illustration;

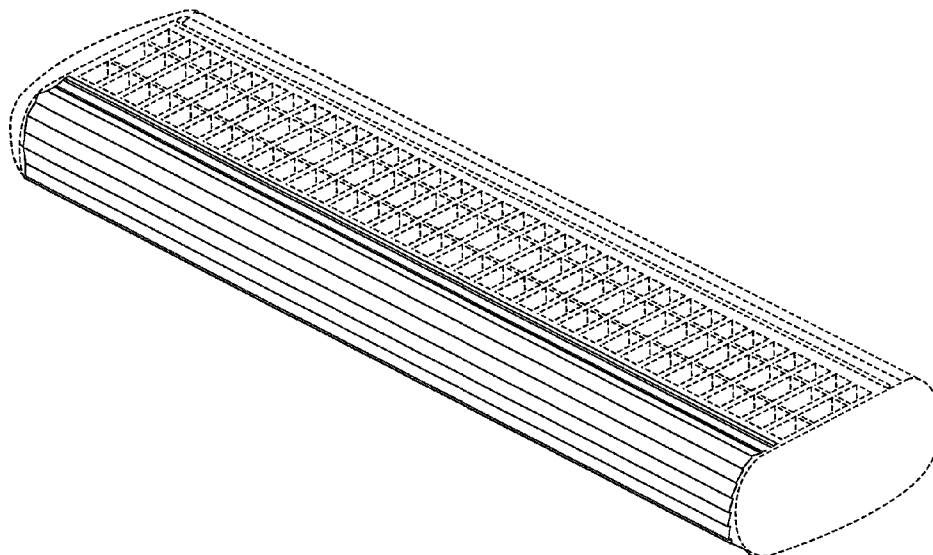
FIG. 4 is a perspective view of a luminaire, showing our new design in another embodiment;

FIG. 5 is an enlarged top plan view thereof, shown broken away for convenience of illustration; and,

FIG. 6 is an enlarged side elevation view thereof shown broken away for convenience of illustration.

The broken lines shown in the drawings illustrate portions of the luminaire that form no part of the claimed design.

**1 Claim, 2 Drawing Sheets**



U.S. PATENT DOCUMENTS

D243,339	S *	2/1977	England	.....	D13/102	D523,165	S *	6/2006	Schultz	.....	D26/76
4,586,697	A *	5/1986	Tornya	.....	256/65.11	D530,040	S *	10/2006	Smith et al.	.....	D26/104
4,644,454	A *	2/1987	Herst et al.	.....	362/224	D530,558	S *	10/2006	Damiano	.....	D6/580
4,667,275	A *	5/1987	Herst et al.	.....	362/223	D540,969	S *	4/2007	Ueda et al.	.....	D26/37
D302,049	S *	7/1989	Gecchelin	.....	D26/122	D544,138	S *	6/2007	Hargreaves	.....	D26/118
4,891,737	A *	1/1990	Szymanek	.....	362/223	D544,980	S *	6/2007	Hargreaves	.....	
D306,491	S *	3/1990	Hallengren	.....	D25/124	D545,482	S *	6/2007	Mayfield et al.	.....	D26/118
4,933,821	A *	6/1990	Anderson	.....	362/223	D545,996	S *	7/2007	Hargreaves	.....	D26/118
D316,613	S *	4/1991	Stein	.....	D26/122	7,244,058	B2 *	7/2007	DiPenti et al.	.....	362/547
D318,929	S *	8/1991	Herst et al.	.....	D26/76	D551,362	S *	9/2007	Ottosson et al.	.....	D26/26
5,113,329	A *	5/1992	Lin	.....	362/238	D551,792	S *	9/2007	Philpot et al.	.....	D26/76
D329,300	S *	9/1992	Hong	.....	D26/78	D558,569	S *	1/2008	Hanley	.....	D8/400
5,192,129	A *	3/1993	Figuroa	.....	362/346	D562,570	S *	2/2008	Leyden	.....	D6/309
D335,353	S *	5/1993	Baker	.....	D25/38	7,329,022	B2 *	2/2008	Tran et al.	.....	362/147
D337,257	S *	7/1993	Danieli	.....	D8/376	D564,692	S *	3/2008	Pfund	.....	D26/72
D351,039	S *	9/1994	Cole, Jr.	.....		D567,425	S *	4/2008	Yates	.....	D26/76
D353,467	S *	12/1994	Raynes	.....	D25/38	7,359,203	B2 *	4/2008	Chen	.....	361/714
5,414,604	A *	5/1995	Anderson	.....	362/217.07	D570,533	S *	6/2008	Morgan	.....	D26/138
D362,315	S *	9/1995	Herst et al.	.....	D26/76	D578,699	S *	10/2008	Ohno et al.	.....	D26/72
5,521,792	A *	5/1996	Pleitz et al.	.....	361/715	D582,602	S *	12/2008	Maxik et al.	.....	D26/118
D378,432	S *	3/1997	Raynes	.....	D25/164	D584,844	S *	1/2009	Ghini	.....	D26/76
D378,860	S *	4/1997	Galletly	.....		D590,099	S *	4/2009	Maxik et al.	.....	D26/118
D381,760	S *	7/1997	Costa	.....	D26/76	D591,442	S *	4/2009	Ford et al.	.....	
5,649,688	A *	7/1997	Baker	.....	256/21	D595,443	S *	6/2009	Tran et al.	.....	D26/76
5,658,067	A *	8/1997	Engle et al.	.....	362/222	D595,984	S *	7/2009	Kollman et al.	.....	D6/580
D384,178	S *	9/1997	Costa	.....	D26/76	D596,347	S *	7/2009	Boissevain	.....	D26/142
5,746,502	A *	5/1998	Huang	.....	362/223	D602,627	S *	10/2009	Lasthein et al.	.....	
D404,161	S *	1/1999	Herst et al.	.....	D26/76	D603,079	S *	10/2009	Toot et al.	.....	D26/76
D405,628	S *	2/1999	Terrana et al.	.....	D6/472	7,604,376	B2 *	10/2009	Sloan et al.	.....	362/246
D421,505	S *	3/2000	Hastings et al.	.....	D26/76	D603,548	S *	11/2009	Pei et al.	.....	D26/76
6,053,624	A *	4/2000	Cronk	.....	362/347	D607,599	S *	1/2010	Zhou et al.	.....	D26/80
D425,225	S *	5/2000	Holderfield	.....	D26/37	7,654,703	B2 *	2/2010	Kan et al.	.....	362/362
6,174,074	B1 *	1/2001	Lahijani	.....	362/264	7,674,010	B2 *	3/2010	Griffiths et al.	.....	362/249.02
D437,959	S *	2/2001	Lewis	.....	D26/76	7,712,929	B2 *	5/2010	Schaefer et al.	.....	362/297
D438,326	S *	2/2001	Kan	.....	D26/76	D617,488	S *	6/2010	Cho	.....	D26/76
6,231,209	B1 *	5/2001	Leibig et al.	.....	362/219	D621,542	S *	8/2010	Klus	.....	D26/138
D445,214	S *	7/2001	Lewis	.....	D26/113	D622,441	S *	8/2010	Warner et al.	.....	D26/138
6,361,186	B1 *	3/2002	Slayden	.....	362/241	D623,342	S *	9/2010	Klus	.....	D26/138
D461,022	S *	7/2002	Eberlein et al.	.....	D26/118	D623,343	S *	9/2010	Klus	.....	D26/138
6,585,393	B1 *	7/2003	Brandes et al.	.....	362/235	D625,463	S *	10/2010	Klus	.....	D26/138
6,609,813	B1 *	8/2003	Showers et al.	.....	362/240	D626,269	S *	10/2010	Schieffelin et al.	.....	D26/77
D480,500	S *	10/2003	Herst et al.	.....		7,813,131	B2 *	10/2010	Liang	.....	361/704
6,659,623	B2 *	12/2003	Friend	.....	362/249.06	D627,095	S *	11/2010	Miyairi et al.	.....	D26/120
D486,340	S *	2/2004	Sudano	.....	D6/577	2004/0037081	A1 *	2/2004	Blandford	.....	362/283
D490,927	S *	6/2004	Keller	.....	D26/77	2007/0285930	A1 *	12/2007	Chen	.....	362/373
D493,565	S *	7/2004	Smith et al.	.....	D26/118	2008/0030981	A1 *	2/2008	Mrakovich et al.	.....	362/219
D494,801	S *	8/2004	Lee	.....	D6/580	2009/0002978	A1 *	1/2009	Tran et al.	.....	362/223
D498,018	S *	11/2004	Sieczkowski	.....	D26/118	2009/0207602	A1 *	8/2009	Reed et al.	.....	362/225
D500,883	S *	1/2005	Herst et al.	.....	D26/118	2009/0219713	A1 *	9/2009	Siemiet et al.	.....	362/218
D504,190	S *	4/2005	Keller	.....	D26/76						

\* cited by examiner

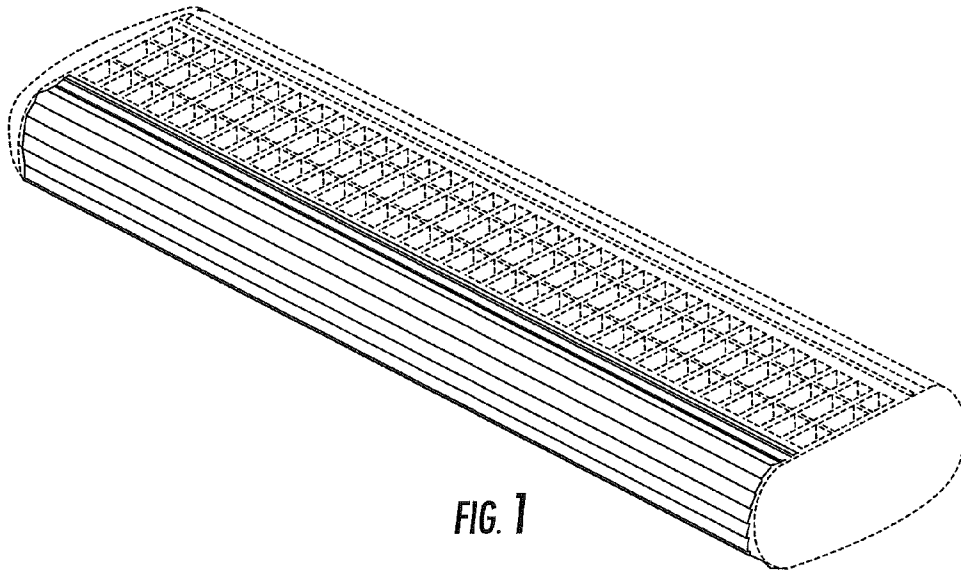


FIG. 1

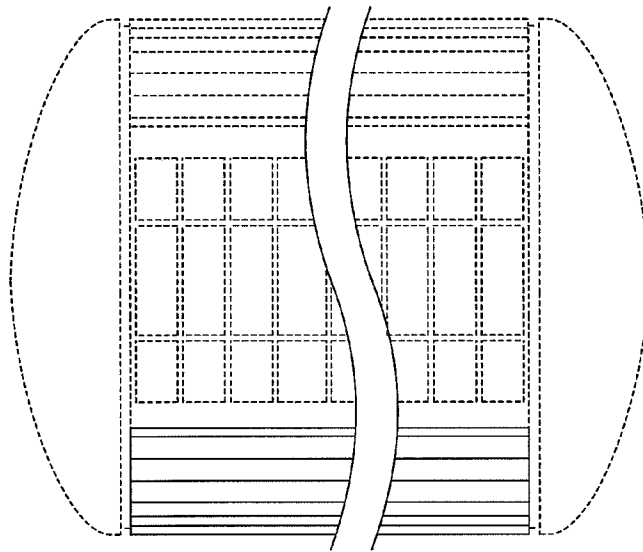


FIG. 2

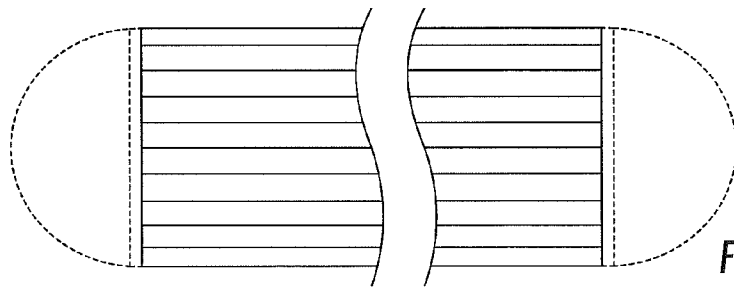


FIG. 3

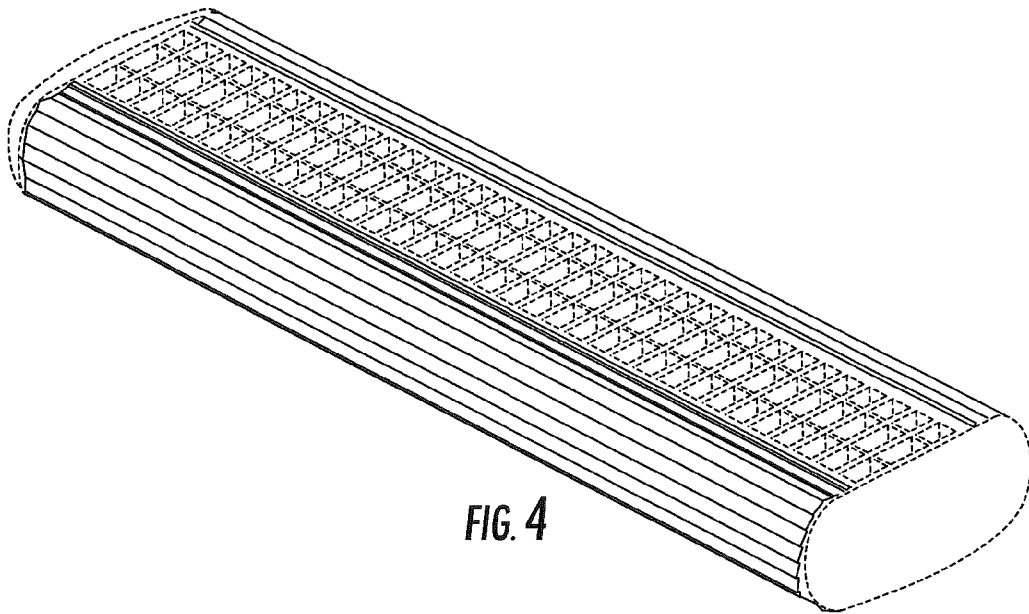


FIG. 4

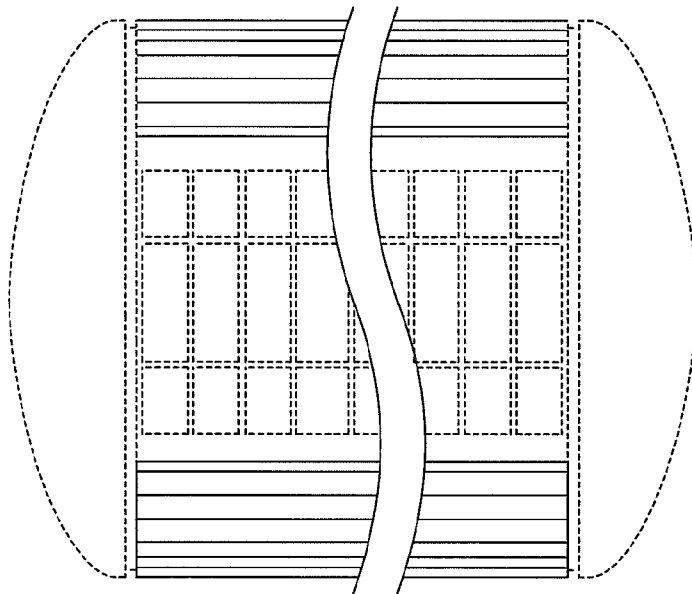


FIG. 5

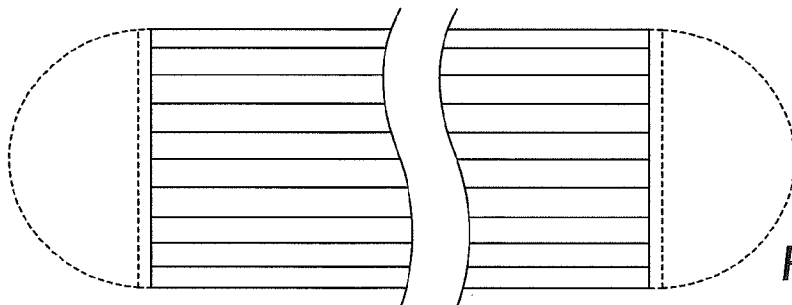


FIG. 6