



US00D860990S

(12) **United States Design Patent** (10) **Patent No.:** **US D860,990 S**
Tian et al. (45) **Date of Patent:** **** Sep. 24, 2019**

(54) **MOBILE TERMINAL**
(71) Applicant: **ZTE CORPORATION**, Guangdong (CN)

D693,323 S * 11/2013 Kawase D14/138 AB
D716,750 S * 11/2014 Matsumoto D14/138 AB
9,312,633 B1 * 4/2016 Szeto H01R 13/6205
(Continued)

(72) Inventors: **Ye Tian**, Guangdong (CN); **Tao Yan**, Guangdong (CN)

OTHER PUBLICATIONS

ZTE Axon M, Nov. 2017, [online], [site visited Jan. 31, 2019]. Retrieved from url:https://www.gsmarena.com/zte_axon_m-pictures-8902.php (Year: 2017).*

(73) Assignee: **ZTE CORPORATION** (CN)

(Continued)

(**) Term: **15 Years**

(21) Appl. No.: **35/504,722**

Primary Examiner — Jeffrey D Asch

(22) Filed: **Jan. 30, 2018**

Assistant Examiner — Tracey J Bell

(74) *Attorney, Agent, or Firm* — McDonald Hopkins LLC

(80) **Hague Agreement Data**

Int. Filing Date: **Jan. 30, 2018**
Int. Reg. No.: **DM/100372**
Int. Reg. Date: **Jan. 30, 2018**
Int. Reg. Pub. Date: **Apr. 6, 2018**

(57) **CLAIM**

The ornamental design for a mobile terminal, as shown and described.

(51) **LOC (12) Cl.** **14-02**

(52) **U.S. Cl.**

USPC **D14/345**; D14/138 AB

(58) **Field of Classification Search**

USPC D14/138 AA, 138 AB, 138 AC, 138 AD, D14/138 C, 138 R, 138 G, 248, 250, D14/315-318, 341, 342, 344, 345, 346, D14/203.7, 371, 137; D21/329; D10/104.1, 50, 60
CPC ... G06F 1/1626; H04M 1/027; H04M 1/0202; H04M 1/0279; H04M 1/0235; H04M 1/0237; H04M 1/0239; H04M 1/0266; H04M 1/0268; H04M 1/0295; H04M 1/0264

See application file for complete search history.

DESCRIPTION

- 1. Mobile terminal
- 1.1 : Perspective
- 1.2 : Perspective
- 1.3 : Front
- 1.4 : Back
- 1.5 : Left
- 1.6 : Right
- 1.7 : Top
- 1.8 : Bottom
- 1.9 : Perspective
- 1.10 : Perspective
- 1.11 : Front
- 1.12 : Back
- 1.13 : Left
- 1.14 : Right
- 1.15 : Top
- 1.16 : Bottom

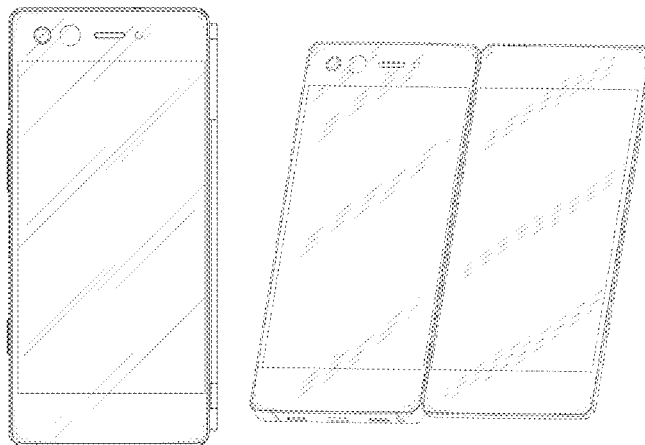
Figures 1.1-1.8 show a mobile terminal being in a closed position and figures 1.9-1.16 show the mobile terminal being in an open position.

(56) **References Cited**

U.S. PATENT DOCUMENTS

D624,517 S * 9/2010 Lee D14/138 AB
D680,531 S * 4/2013 Honda D14/345
D687,034 S * 7/2013 Reeves D14/345

1 Claim, 16 Drawing Sheets



(56)

References Cited

U.S. PATENT DOCUMENTS

9,887,722 B2 * 2/2018 Moon H04M 1/0216
 D829,187 S * 9/2018 Zhang D14/138 G
 D829,680 S * 10/2018 Han D14/138 AB
 D830,325 S * 10/2018 Han D14/138 AB
 D839,232 S * 1/2019 Itou D14/138 AB
 D840,394 S * 2/2019 Son D14/345
 D841,646 S * 2/2019 Son D14/345
 2013/0217443 A1 * 8/2013 Lim H04M 1/0216
 455/566
 2013/0321340 A1 * 12/2013 Seo G06F 1/1641
 345/174
 2015/0281414 A1 * 10/2015 Michino H04M 1/0216
 455/575.3
 2016/0018851 A1 * 1/2016 Kwon G06F 1/1616
 361/679.28
 2017/0099072 A1 * 4/2017 Moon H04M 1/0216
 2018/0007252 A1 * 1/2018 Tuulos H04N 5/2254
 2019/0004764 A1 * 1/2019 Son G06F 3/1446

OTHER PUBLICATIONS

ZTE Axon M review_double trouble, Nov. 17, 2017, [online], [site visited Jan. 31, 2019]. Retrieved from url:<https://www.theverge.com/2017/11/17/16667508/zte-axon-m-dual-screen-smartphone-review> (Year: 2017).*

“Folded double screen, ZTE’s Axon M disclosure”, ZTE Mobile Phone, Oct. 18, 2017.

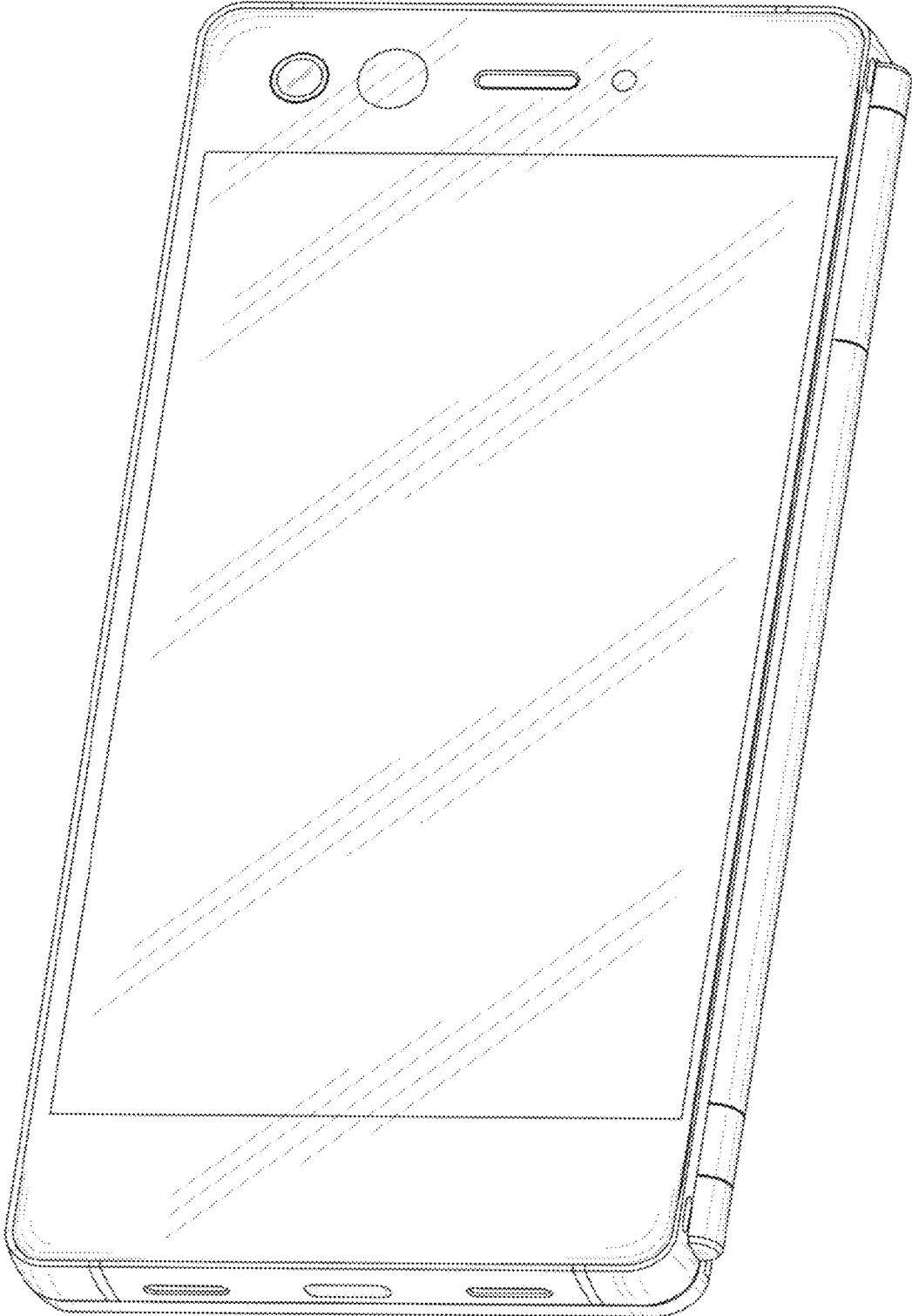
“Relay the global layout, ZTE’s folding smartphone is disclosed in Japan”, ZTE Mobile Phone, Oct. 19, 2017.

“According to the user experience, ZTE mobile phone make innovations”, ZTE Mobile Phone, Oct. 23, 2017.

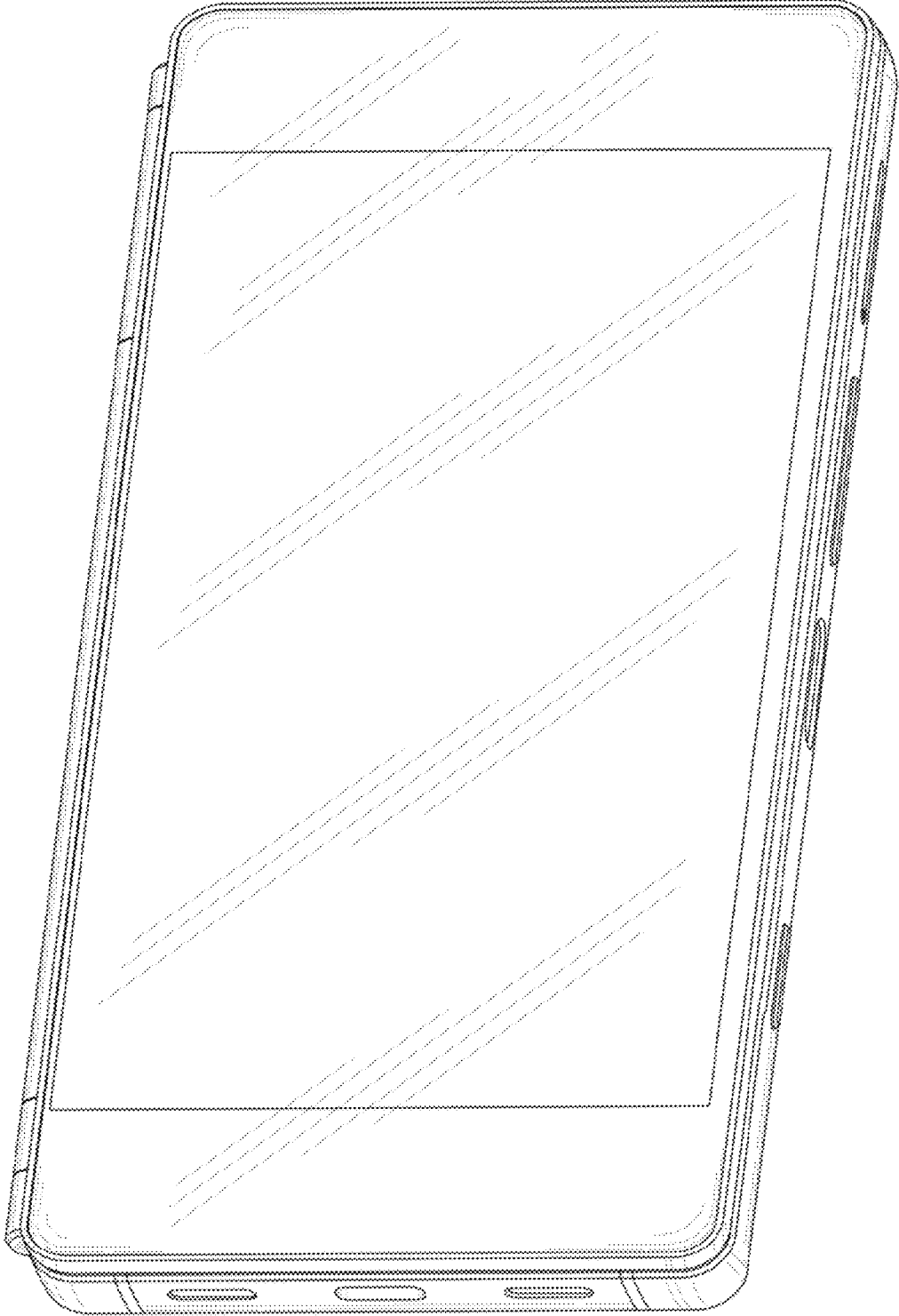
“The essence video of New York press conference”, ZTE Mobile Phone, Oct. 31, 2017.

* cited by examiner

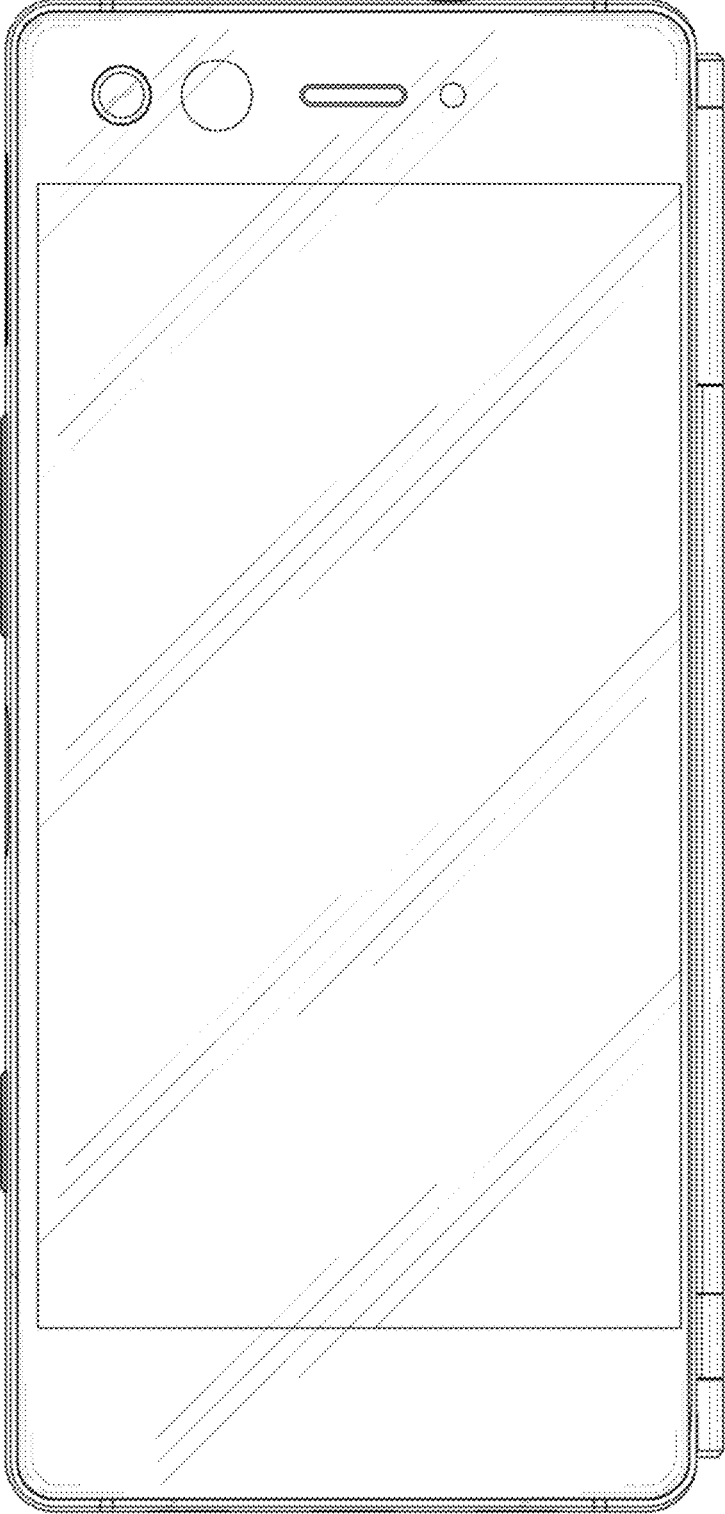
1.1



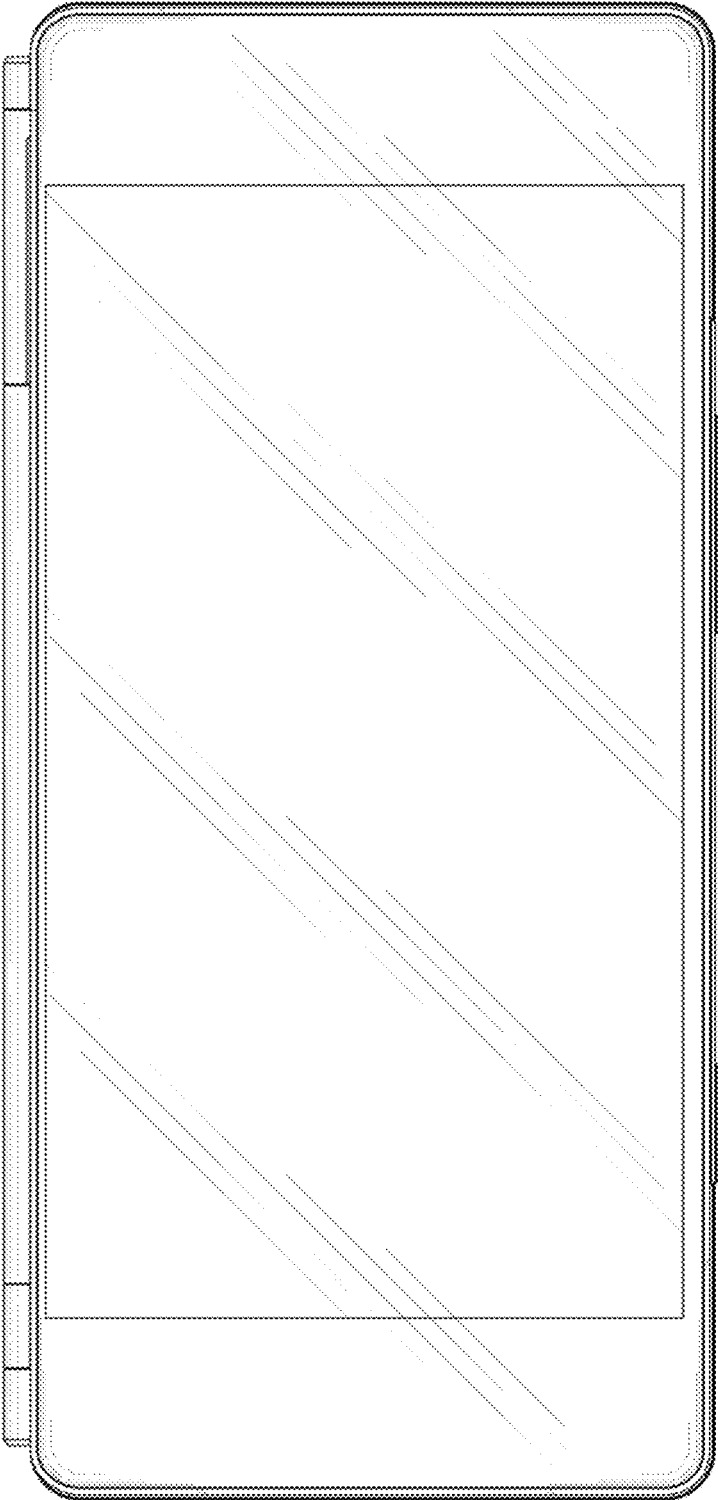
1.2



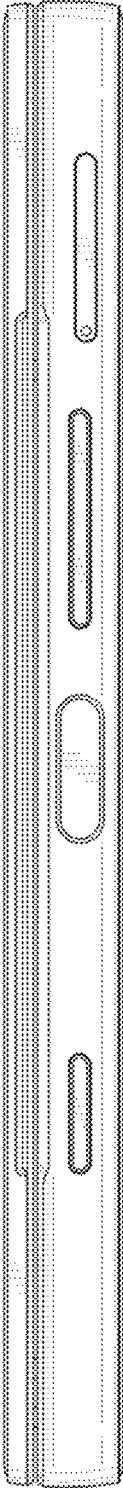
1.3



1.4



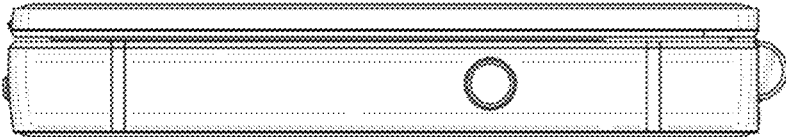
1.5



1.6



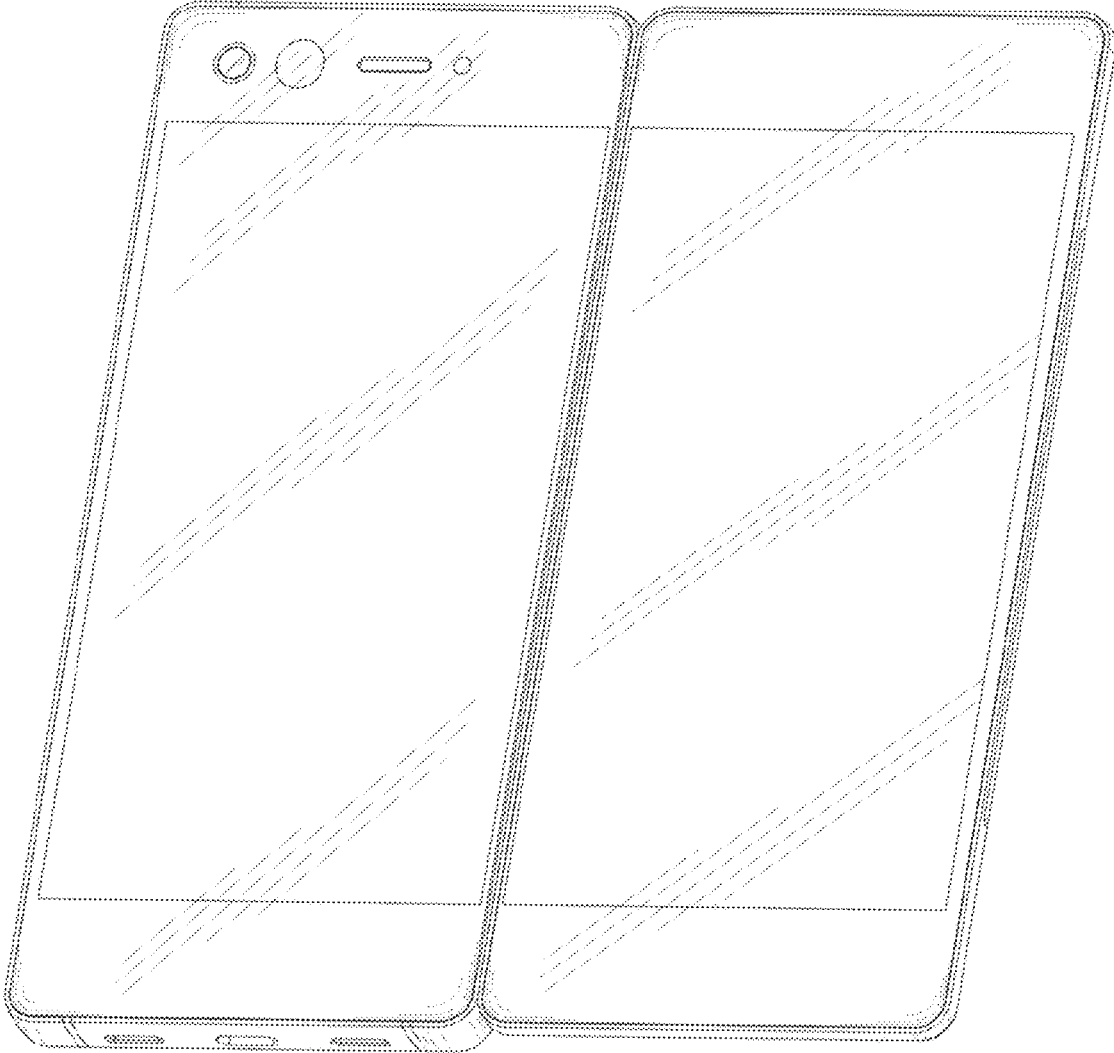
1.7



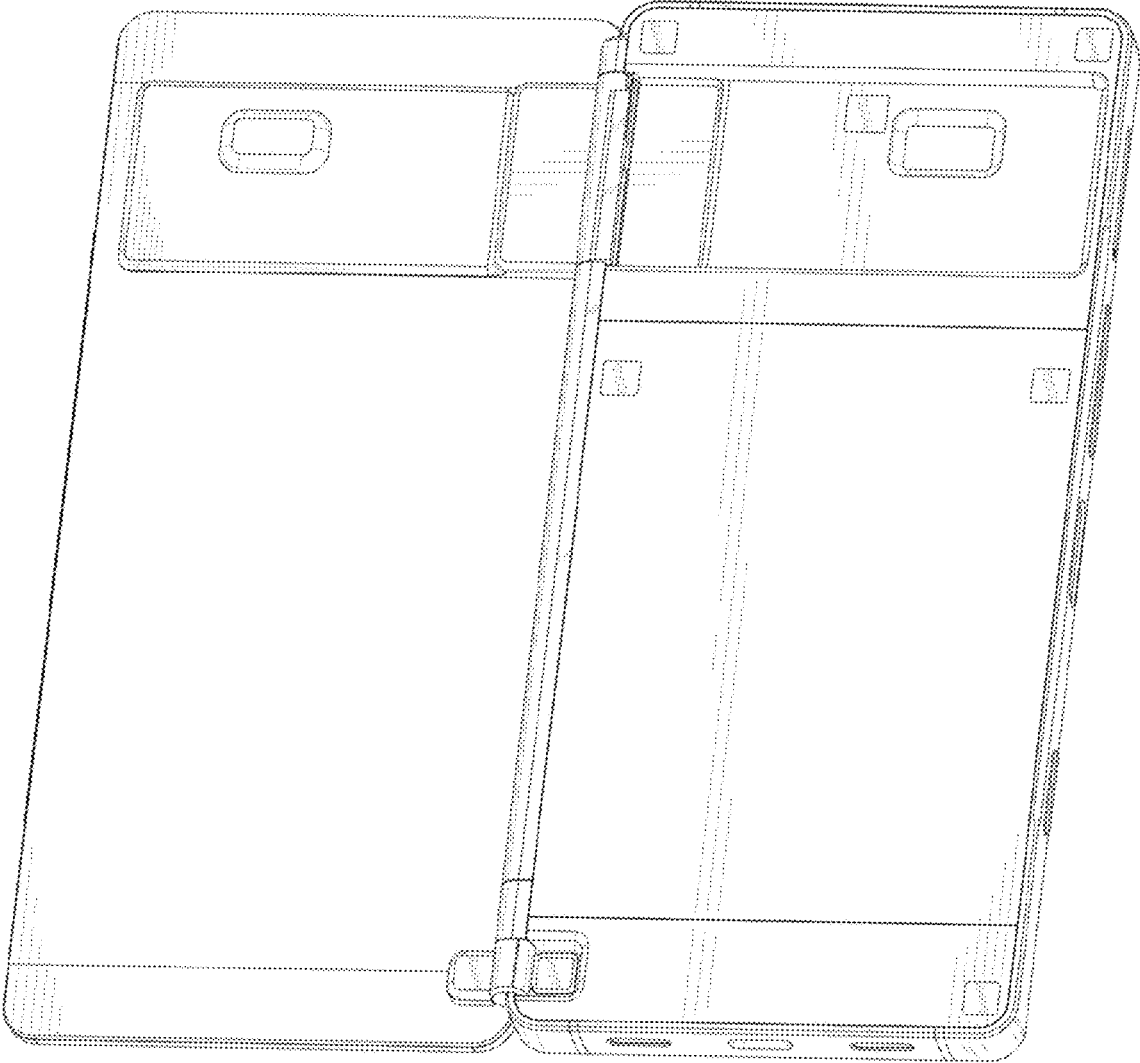
1.8



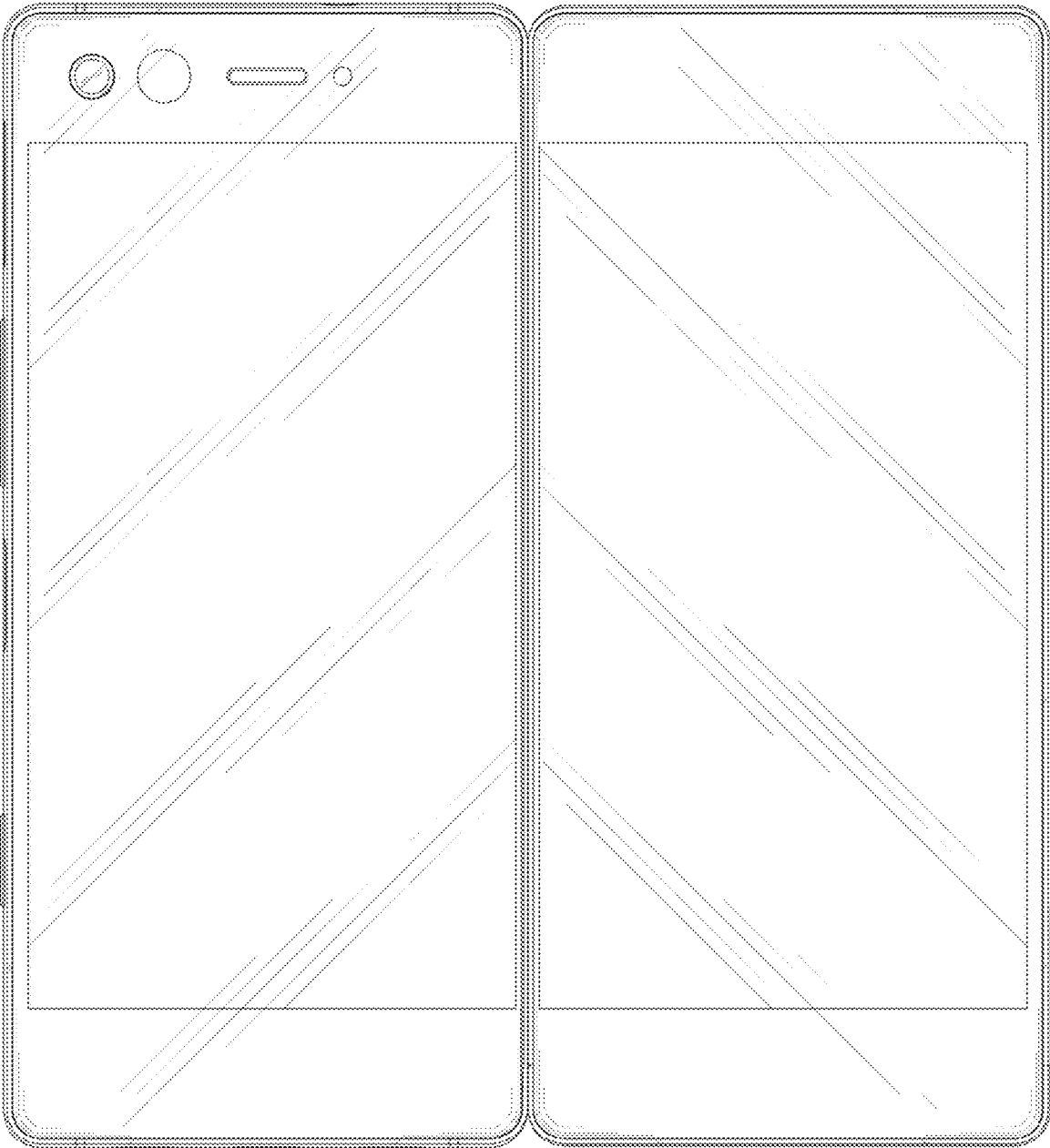
1.9



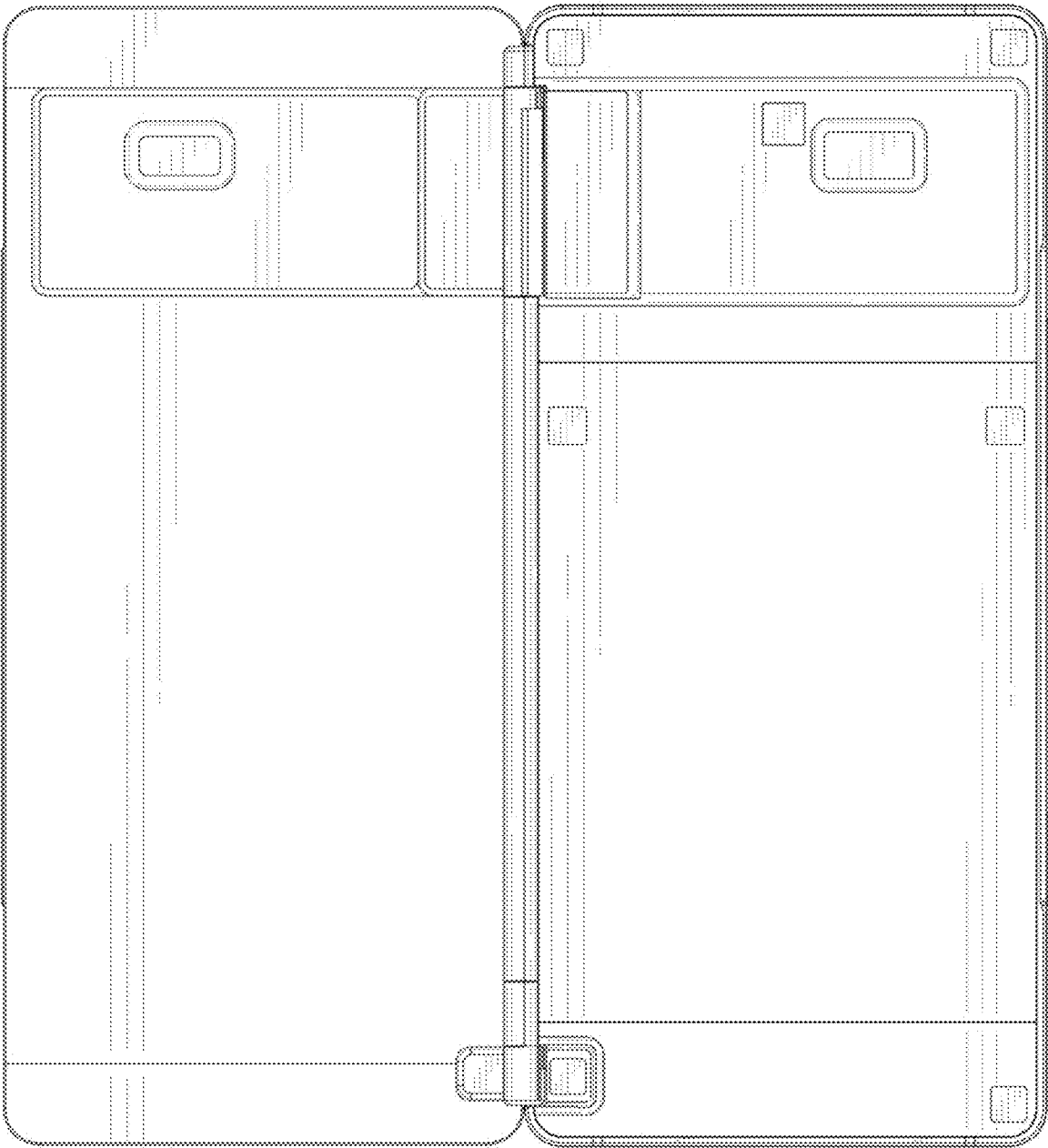
1.10



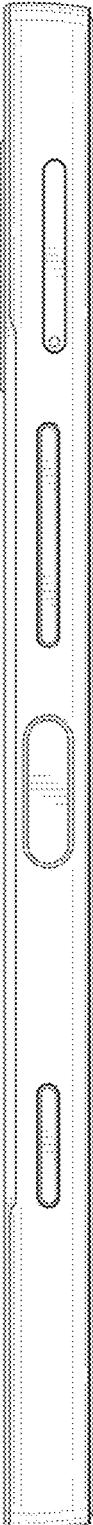
1.11



1.12



1.13



1.14



1.15



1.16

