



US00D649192S

(12) **United States Design Patent**
Beukema et al.

(10) **Patent No.:** **US D649,192 S**

(45) **Date of Patent:** **** Nov. 22, 2011**

(54) **WORKSPACE CADDY**

(75) Inventors: **James Beukema**, Ada, MI (US); **Lou Crenno**, Muskegon, MI (US); **Fredric Biddle**, Kalamazoo, MI (US); **Robert Scheper**, Grand Rapids, MI (US)

(73) Assignee: **Steelcase Inc.**, Grand Rapids, MI (US)

(**) Term: **14 Years**

(21) Appl. No.: **29/363,368**

(22) Filed: **Jun. 8, 2010**

(51) **LOC (9) Cl.** **19-02**

(52) **U.S. Cl.** **D19/75**

(58) **Field of Classification Search** D3/304,
D3/305, 312, 315; D6/449, 475, 512, 553;
D19/75, 77, 78, 86, 87, 90, 91; 206/215,
206/425, 449; 211/10, 11, 45, 50, 55
See application file for complete search history.

(56) **References Cited**

U.S. PATENT DOCUMENTS

3,151,792	A	*	10/1964	Garland, Jr.	294/32
D341,976	S	*	12/1993	Kelly et al.	D6/573
D347,958	S	*	6/1994	Kelly et al.	D6/573
D355,555	S	*	2/1995	Ryan	D6/569

D366,903	S	*	2/1996	Baggott	D19/78
D385,287	S	*	10/1997	Westcott	D15/89
D387,384	S	*	12/1997	Meyer	D19/90
D602,530	S	*	10/2009	Thompson et al.	D19/90

* cited by examiner

Primary Examiner — Elizabeth Albert

(74) *Attorney, Agent, or Firm* — Quarles & Brady LLP

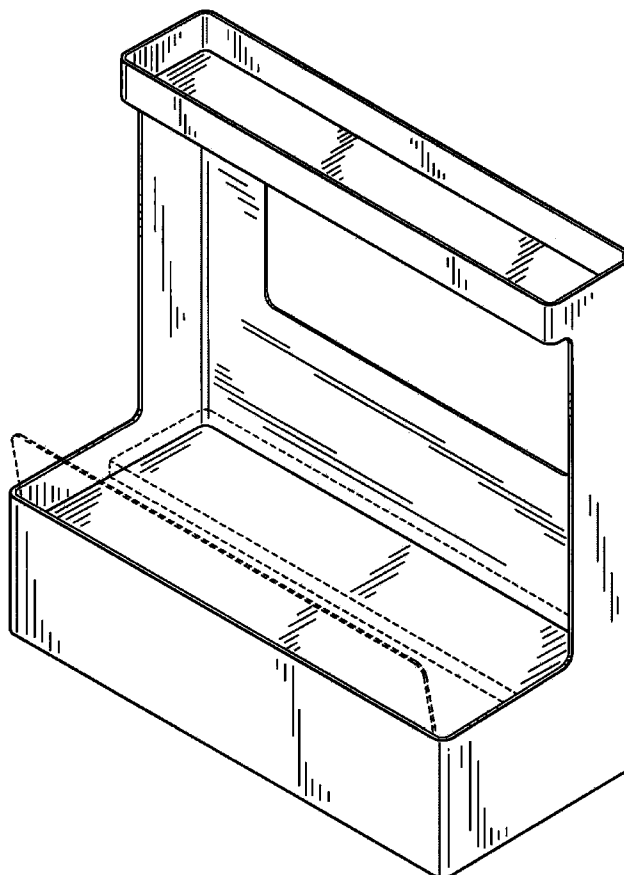
(57) **CLAIM**

The ornamental design for a workspace caddy, as shown and described.

DESCRIPTION

FIG. 1 is a right, top, front perspective view of a workspace caddy embodying our new design;
FIG. 2 is a front elevational view thereof;
FIG. 3 is a right side elevational view thereof, the left side elevational view thereof being a mirror image of the right side shown;
FIG. 4 is a rear elevational view thereof;
FIG. 5 is a top plan view thereof; and,
FIG. 6 is bottom plan view thereof.
The broken lines in the figures representing surfaces in FIGS. 1, 2, 3, 5 and 6 are included for the purpose of illustrating features that form no part of the claimed design.

1 Claim, 5 Drawing Sheets



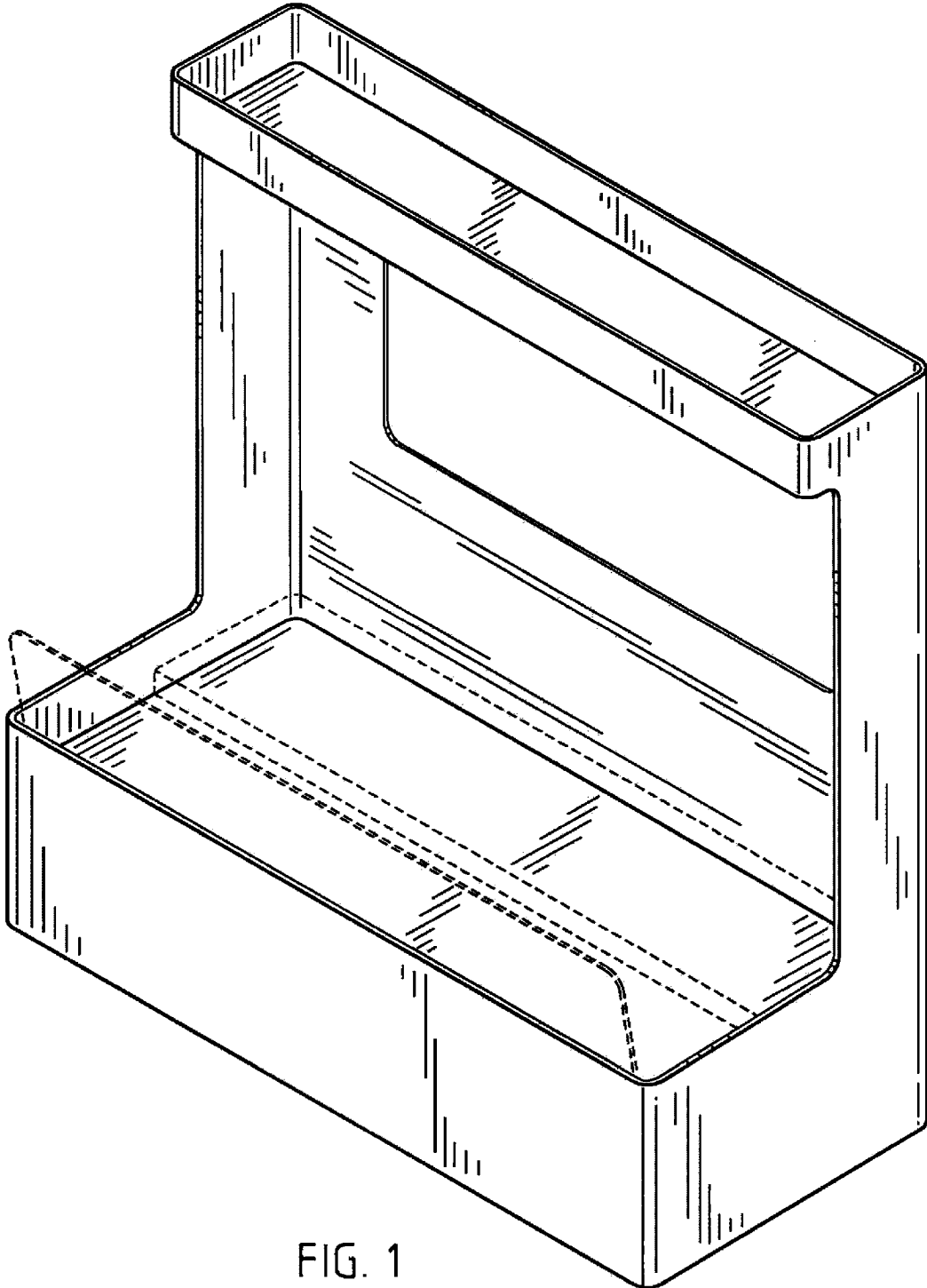


FIG. 1

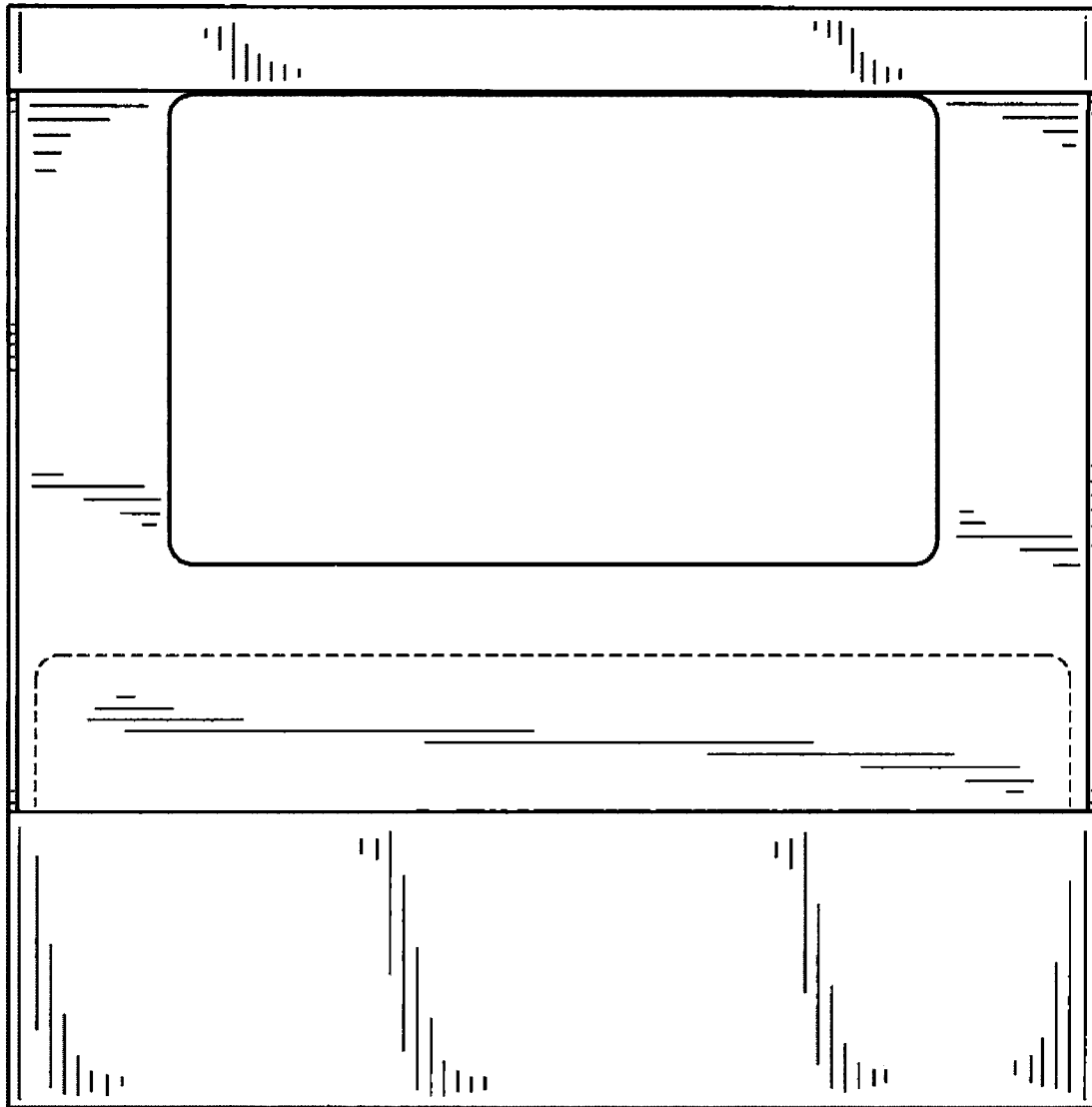


FIG. 2

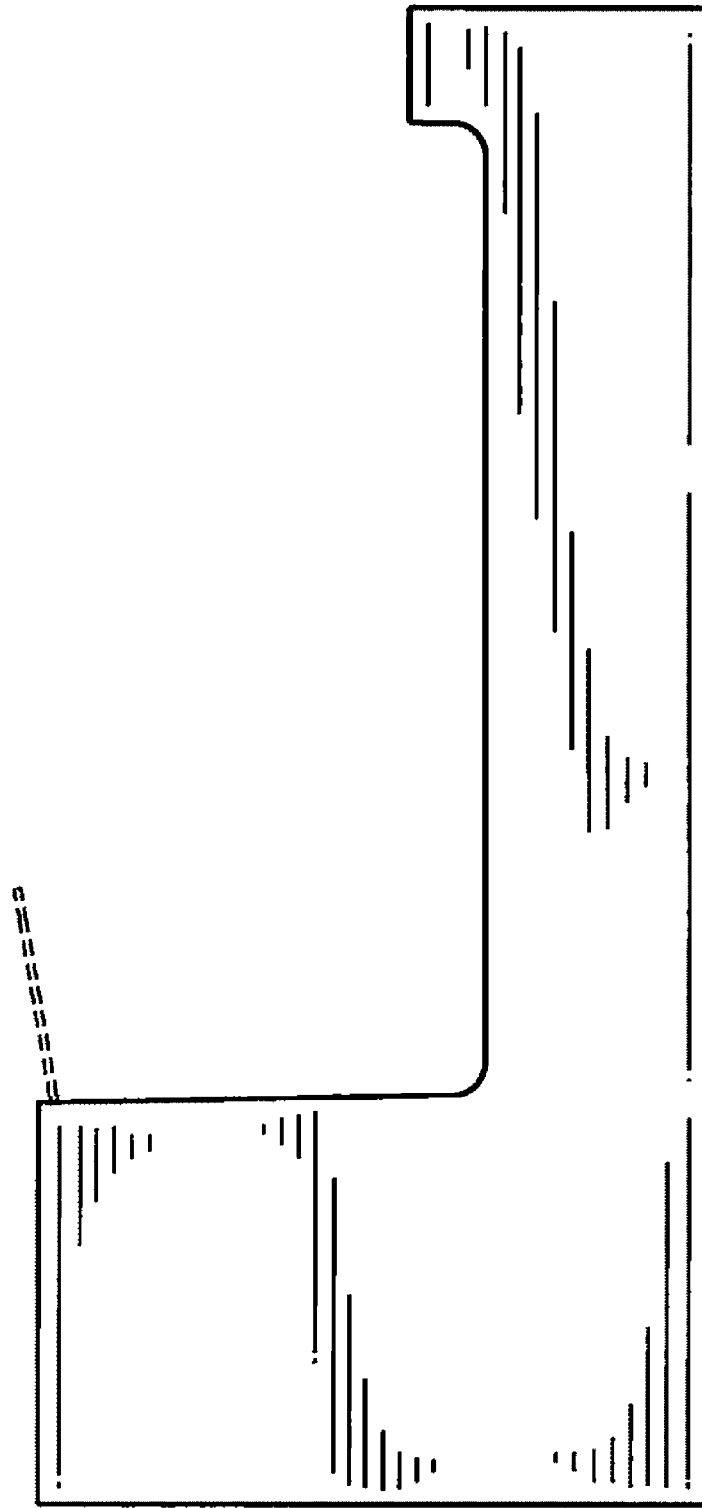


FIG. 3

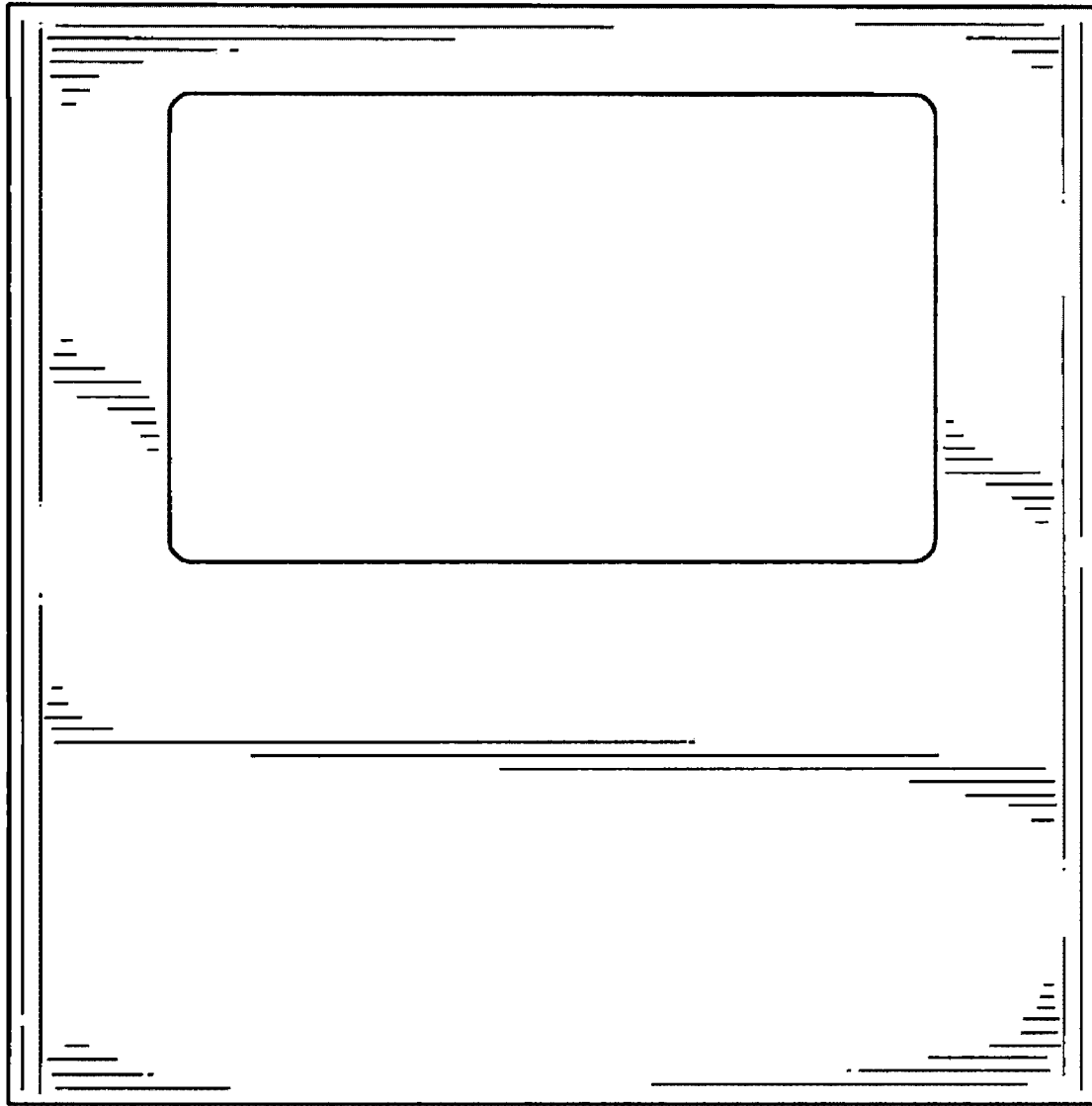


FIG. 4

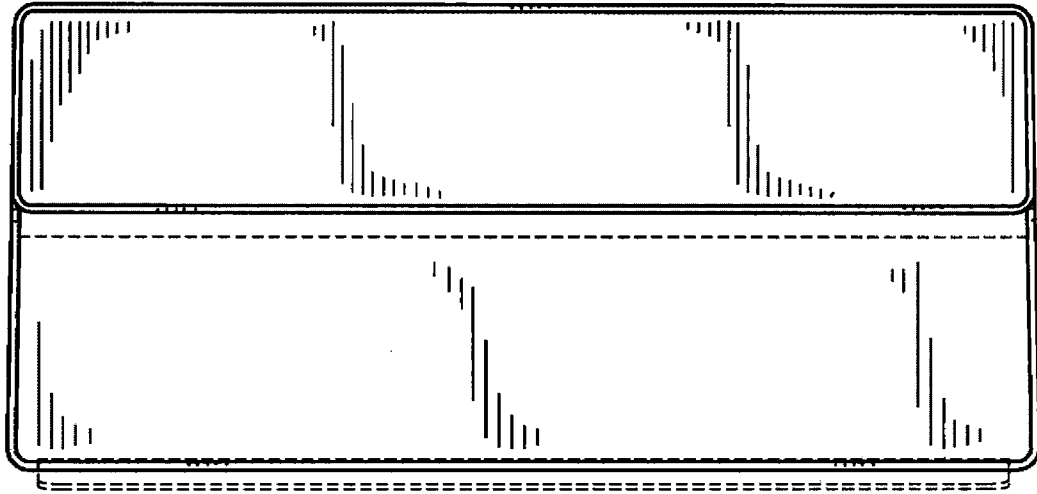


FIG. 5

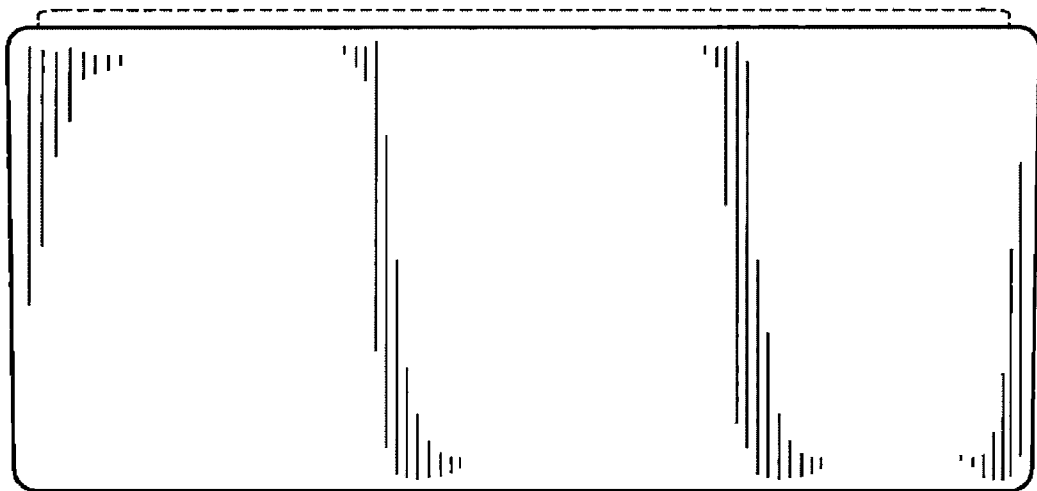


FIG. 6