



US00D573978S

(12) **United States Design Patent**  
**Ledbetter et al.**

(10) **Patent No.:** **US D573,978 S**

(45) **Date of Patent:** **\*\* Jul. 29, 2008**

(54) **PAIR OF EAR PHONES**

(75) Inventors: **Carl J. Ledbetter**, Mercer Island, WA (US); **John Ikeda**, Seattle, WA (US); **Saro Nalbandian**, Athens (GR)

(73) Assignee: **Microsoft Corporation**, Redmond, WA (US)

(\*\*) Term: **14 Years**

(21) Appl. No.: **29/283,840**

(22) Filed: **Aug. 24, 2007**

(51) **LOC (8) Cl.** ..... **14-01**

(52) **U.S. Cl.** ..... **D14/205**

(58) **Field of Classification Search** ..... D14/205-206, D14/223, 142, 168, 188, 192, 249; 181/129-130, 181/135; 379/430, 431, 420, 420.02, 420.04; 381/322, 328, 324, 370, 371, 373, 374, 375, 381/380, 381, 360; 455/550.1, 569.1, 575.1  
See application file for complete search history.

(56) **References Cited**

**U.S. PATENT DOCUMENTS**

4,588,867	A *	5/1986	Konomi	.....	379/430
5,363,444	A *	11/1994	Norris	.....	379/430
5,373,555	A *	12/1994	Norris et al.	.....	379/430
6,574,345	B1 *	6/2003	Huang	.....	381/380
6,731,772	B1 *	5/2004	Byun	.....	381/380
D523,846	S *	6/2006	Lee	.....	D14/205
D554,109	S *	10/2007	Ledbetter et al.	.....	D14/223
D555,152	S *	11/2007	Wang	.....	D14/223
D556,741	S *	12/2007	Yeo	.....	D14/223
D564,495	S *	3/2008	Sasaki	.....	D14/205
D566,687	S *	4/2008	Duarte et al.	.....	D14/205

D568,291 S \* 5/2008 Andre et al. .... D14/205

\* cited by examiner

*Primary Examiner*—Paula A Greene

(74) *Attorney, Agent, or Firm*—Banner & Witcoff, Ltd.

(57) **CLAIM**

The ornamental design for a pair of ear phones, as shown and described.

**DESCRIPTION**

FIG. 1 is a front perspective view of a pair of ear phones showing our new design;

FIG. 2 is a front view thereof;

FIG. 3 is a rear view thereof;

FIG. 4 is a lateral view thereof of an ear phone in FIG. 1;

FIG. 5 is a medial view thereof of an ear phone in FIG. 1;

FIG. 6 is a top view thereof of the ear phones in FIG. 1; and

FIG. 7 is a bottom view thereof;

FIG. 8 is a front perspective view of ear phones showing an alternative embodiment of our new design;

FIG. 9 is a front view thereof;

FIG. 10 is a rear view thereof;

FIG. 11 is a lateral view thereof of an ear phone in FIG. 8;

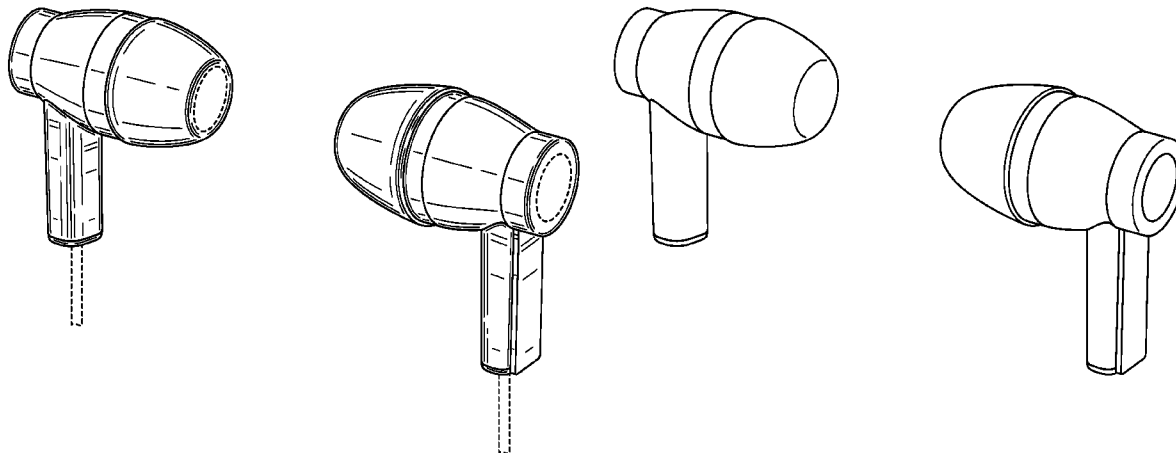
FIG. 12 is a medial view thereof of an ear phone in FIG. 8;

FIG. 13 is a top view thereof of the ear phones in FIG. 8; and,

FIG. 14 is a bottom view thereof.

The broken line showing of various regions in the Figures, including the unshaded areas therein, is for illustrative purposes only and forms no part of the claimed design.

**1 Claim, 6 Drawing Sheets**



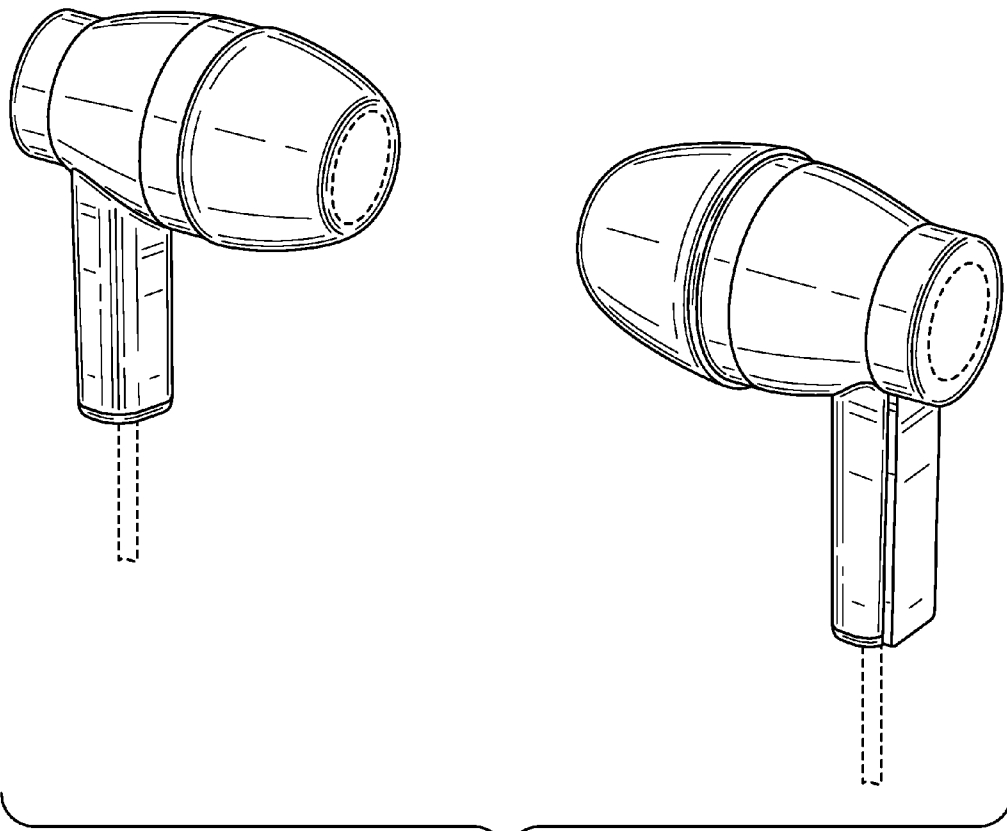


FIG. 1

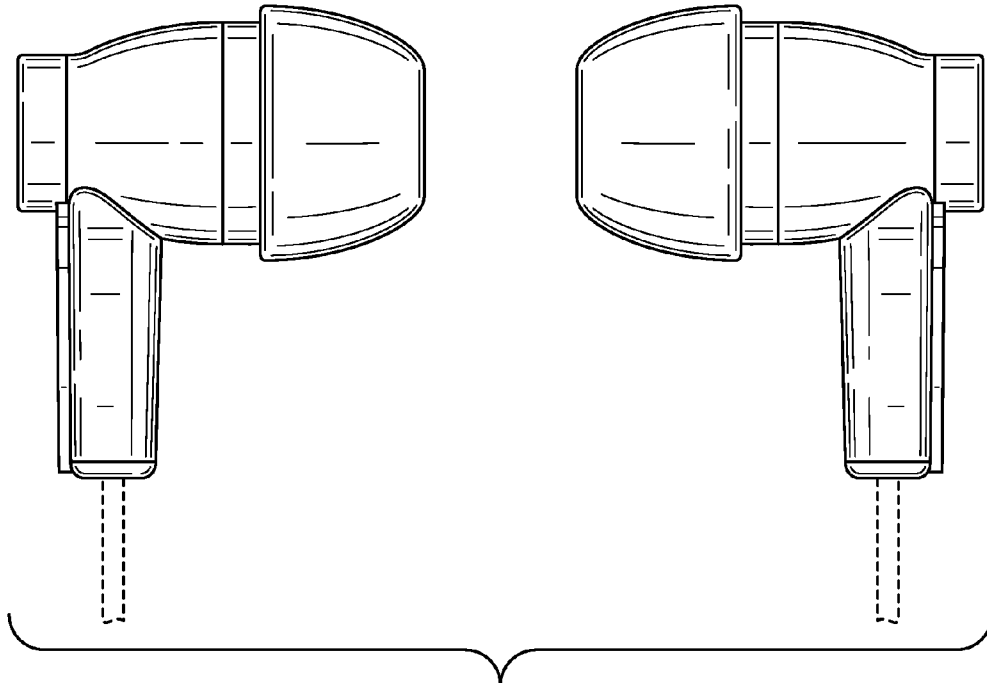


FIG. 2

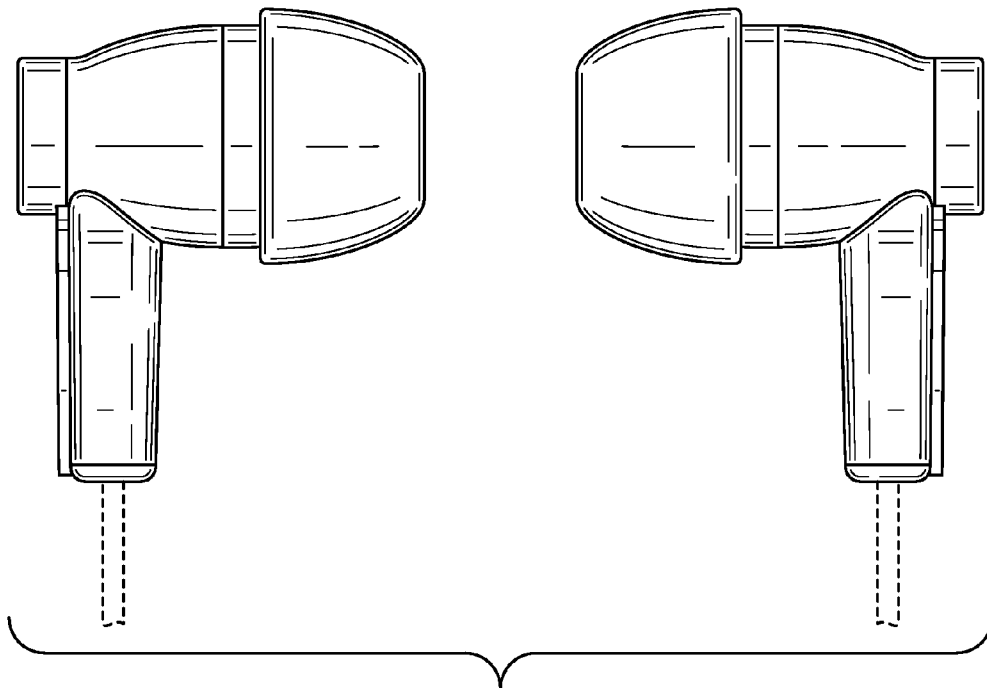


FIG. 3

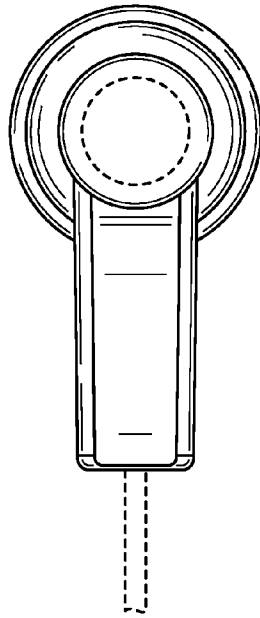


FIG. 4

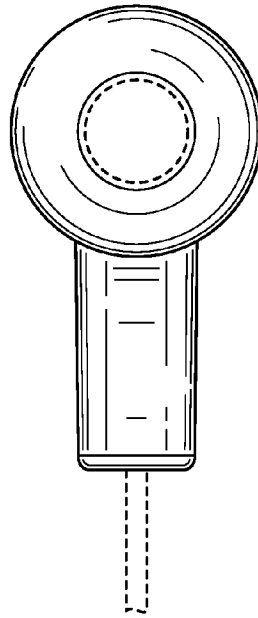


FIG. 5

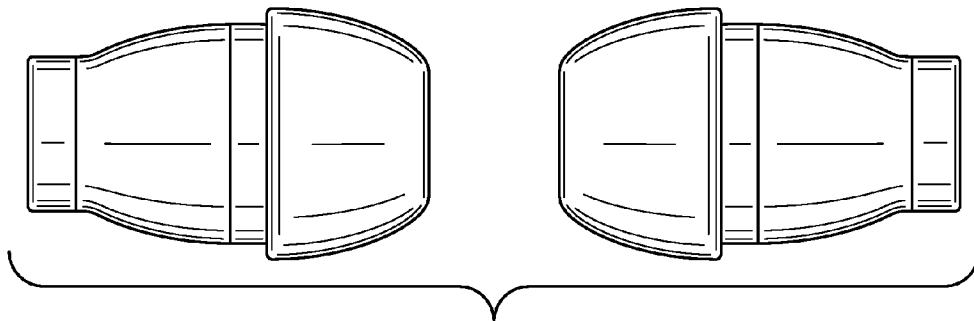


FIG. 6

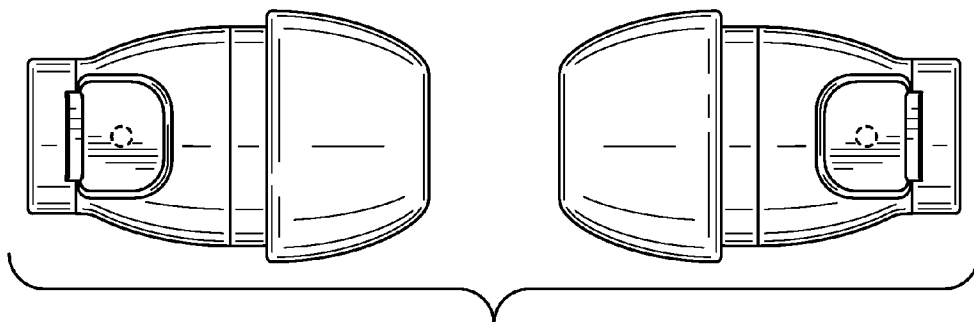


FIG. 7

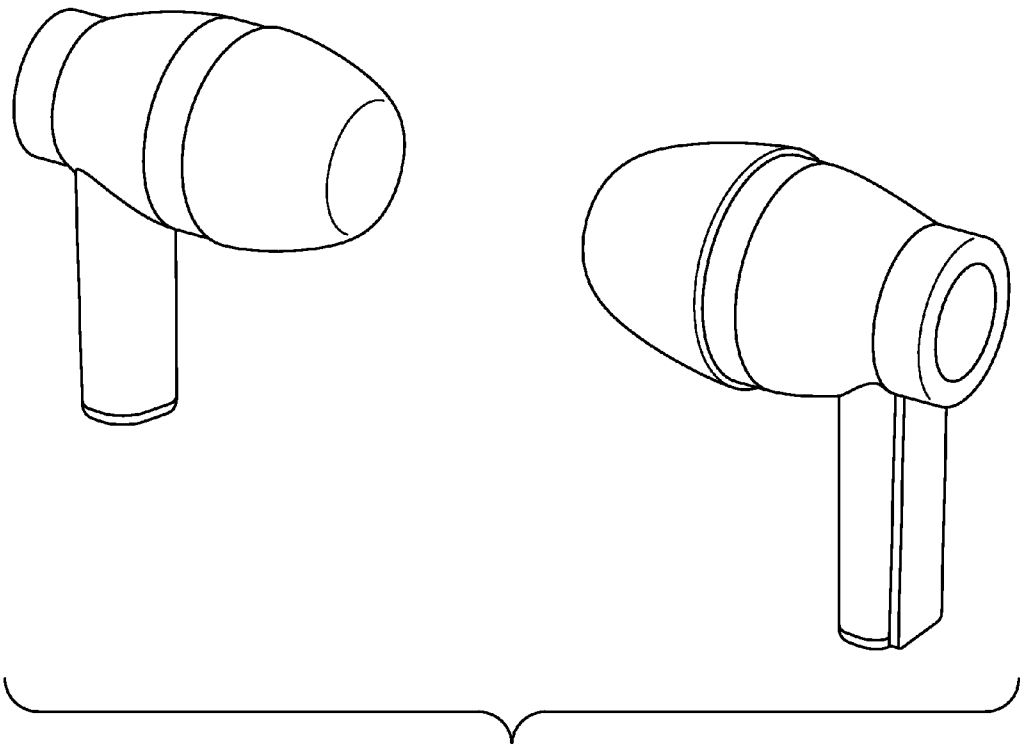


FIG. 8

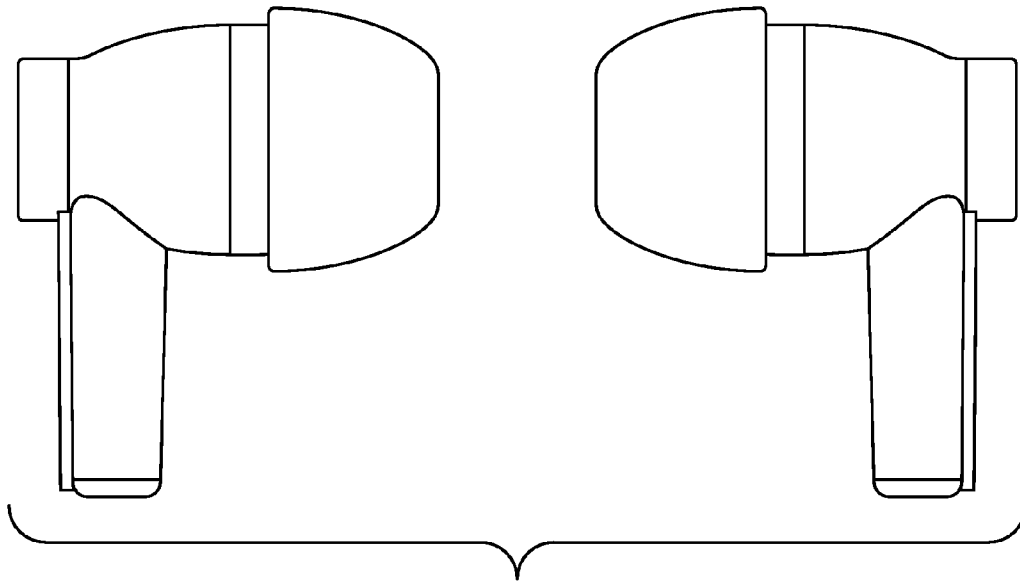


FIG. 9

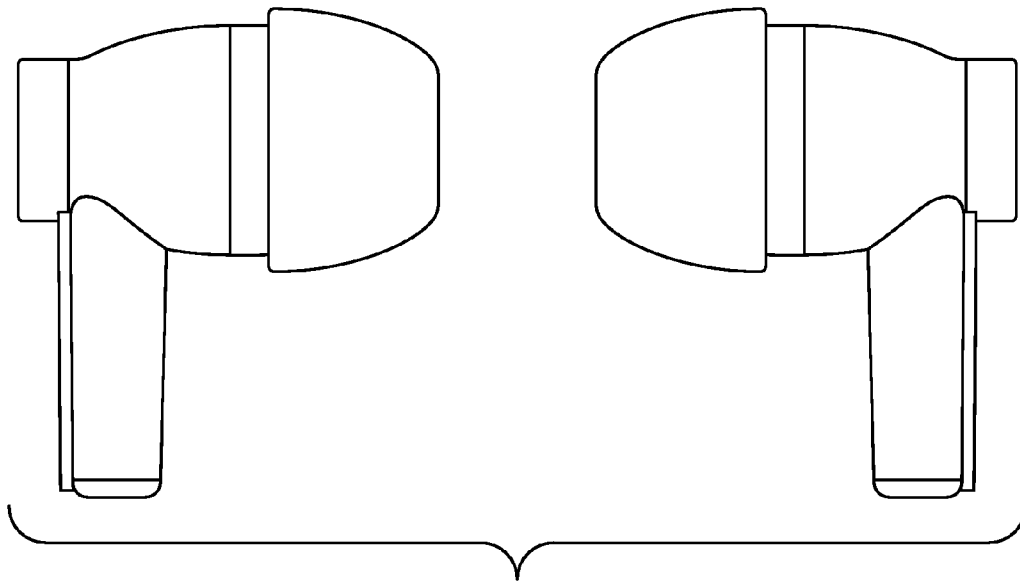


FIG. 10

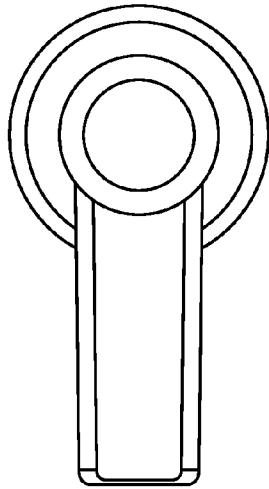


FIG. 11

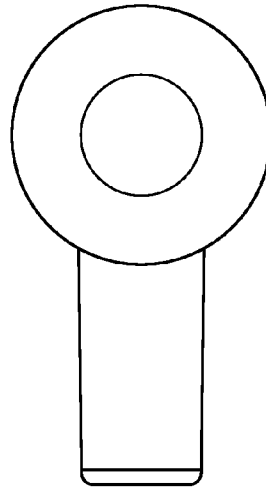


FIG. 12

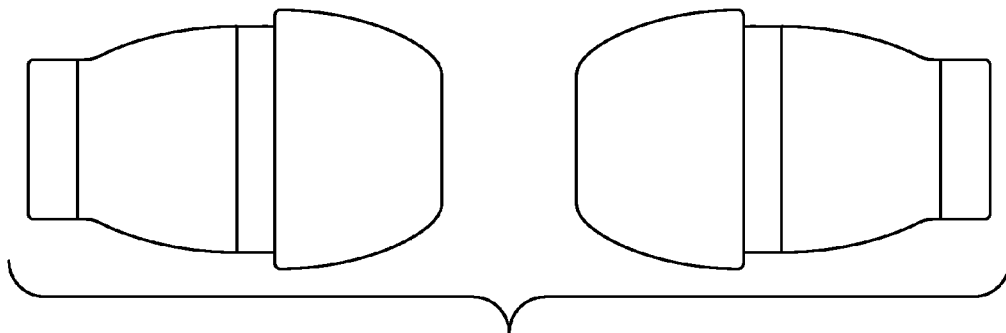


FIG. 13

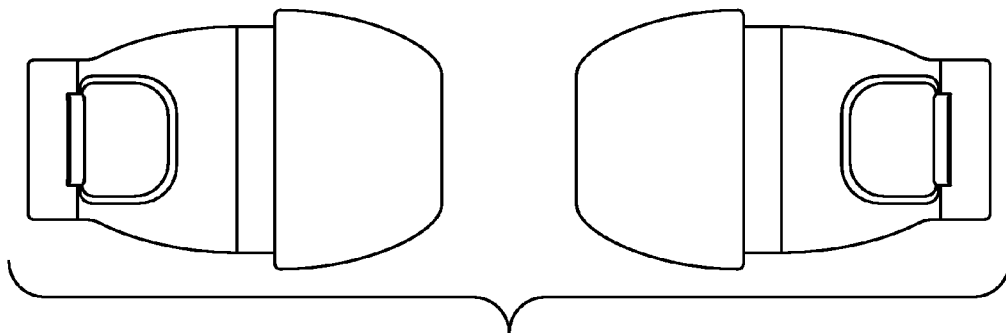


FIG. 14