



(12) **United States Design Patent**
Cinar et al.

(10) **Patent No.:** **US D986,900 S**
(45) **Date of Patent:** **** May 23, 2023**

(54) **SOLID STATE DRIVE MEMORY DEVICE**

(56) **References Cited**

(71) Applicant: **SAMSUNG ELECTRONICS CO., LTD.**, Suwon-si (KR)

U.S. PATENT DOCUMENTS

(72) Inventors: **Yusuf Cinar**, Suwon-si (KR); **Jae Hong Park**, Suwon-si (KR); **Han Hong Lee**, Suwon-si (KR); **Seon Gyun Baek**, Suwon-si (KR); **Won-Gi Hong**, Suwon-si (KR)

D345,959	S	*	4/1994	Cooper	D13/110
D348,247	S	*	6/1994	Cooper	D13/110
D384,648	S	*	10/1997	Seirio	D13/181
D400,512	S	*	11/1998	Korhonen	D13/184
6,128,194	A	*	10/2000	Francis	H05K 5/0269 361/752
D486,154	S	*	2/2004	Nishio	D14/474
D768,134	S	*	10/2016	Andre	D14/436
D826,944	S	*	8/2018	Lim	D14/435
D826,945	S	*	8/2018	Lim	D14/435
D888,000	S	*	6/2020	Lim	D13/184
D896,230	S	*	9/2020	Jun	D14/435

(73) Assignee: **SAMSUNG ELECTRONICS CO., LTD.**, Suwon-si (KR)

(Continued)

(**) Term: **15 Years**

FOREIGN PATENT DOCUMENTS

(21) Appl. No.: **29/805,770**

CN	115440673	A	*	12/2022	H05K 1/181
EP	1494518	A1	*	1/2005	H05K 5/0008
KR	20170000709	A	*	1/2017		

(22) Filed: **Aug. 30, 2021**

Primary Examiner — Marie D. Fast Horse
Assistant Examiner — Josiah D. Parsons
(74) *Attorney, Agent, or Firm* — Sughrue Mion, PLLC

(51) **LOC (14) Cl.** **14-02**

(52) **U.S. Cl.** **D14/435**

USPC **D14/435**

(58) **Field of Classification Search**

USPC D13/103, 107, 177, 179, 184; D14/301, D14/356, 432, 434, 435, 436, 437, 438, D14/363, 365, 474, 480.1, 484.1
CPC G06F 1/1658; G06F 1/1684; G06F 1/185; G06F 1/187; G06F 1/186; G06K 19/04; G06K 19/041; G06K 19/07728; G06K 19/07732; G06K 19/07747; G06K 19/077; G06K 19/0772; G11B 2220/60; H01L 23/34; H01L 23/40; H05K 5/03; H05K 5/04; H05K 5/06; H05K 5/061; H05K 5/0214; H05K 5/0086; H05K 5/0256; H05K 5/026; H05K 5/0269; H05K 5/0278; H05K 5/0243; H05K 5/0004; H05K 5/0008; H05K 5/0039; H05K 5/0043; H05K 5/0047; G11C 5/00

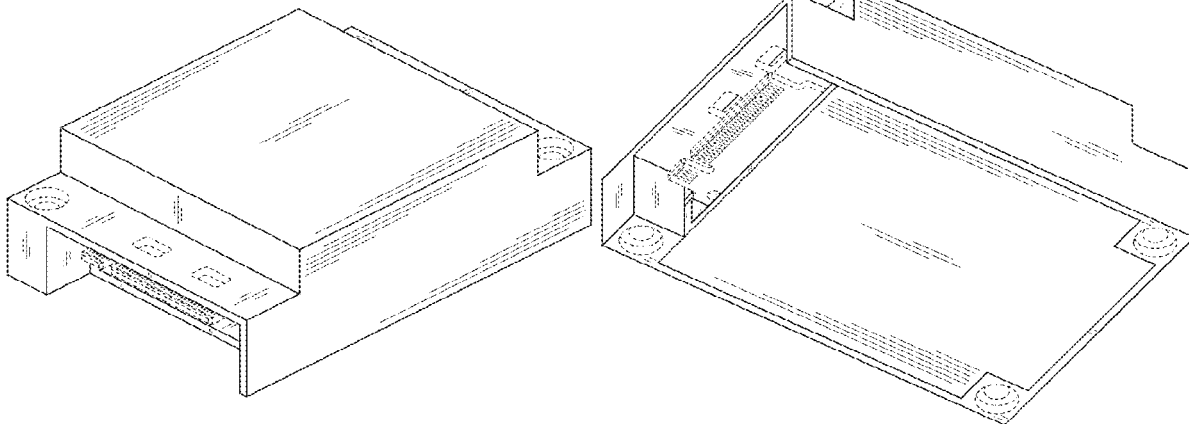
See application file for complete search history.

(57) **CLAIM**
The ornamental design for a solid state drive memory device, as shown and described.

DESCRIPTION

FIG. 1 is a front perspective view of a solid state drive memory device showing our new design; FIG. 2 is a front view thereof; FIG. 3 is a rear view thereof; FIG. 4 is a left-side view thereof; FIG. 5 is a right-side view thereof; FIG. 6 is a top plan view thereof; FIG. 7 is a bottom plan view thereof; and, FIG. 8 is a bottom perspective view thereof. The evenly dashed broken lines in the figures depict portions of the solid state drive memory device that form no part of the claimed design.

1 Claim, 8 Drawing Sheets



(56)

References Cited

U.S. PATENT DOCUMENTS

D910,465	S *	2/2021	Lindeman	D10/49
D943,586	S *	2/2022	Jun	D14/435
D967,823	S *	10/2022	Crisp	D14/435
2012/0250279	A1 *	10/2012	Harashima	H05K 1/144
				361/760
2018/0249585	A1 *	8/2018	Yoshida	H05K 5/04
2018/0270943	A1 *	9/2018	Suzuki	G06F 1/187
2022/0248554	A1 *	8/2022	Suzuki	G06F 1/187
2022/0394862	A1 *	12/2022	Okubo	H05K 5/0026

* cited by examiner

FIG. 1

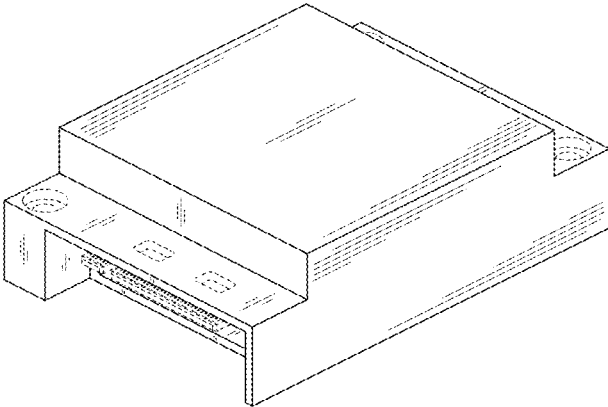


FIG. 2



FIG. 3



FIG. 4

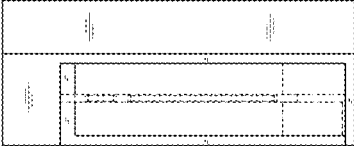


FIG. 5

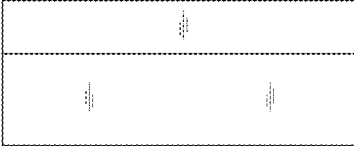


FIG. 6

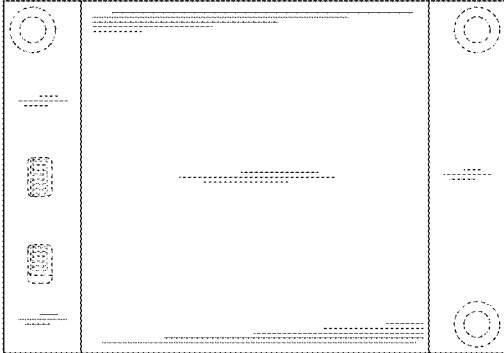


FIG. 7

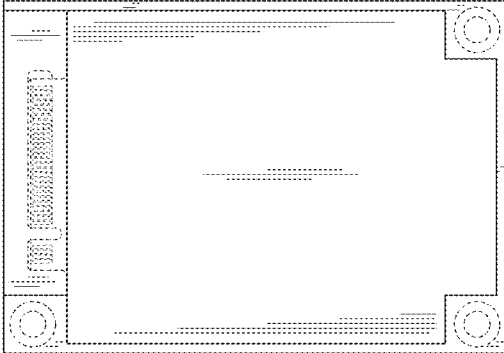


FIG. 8

