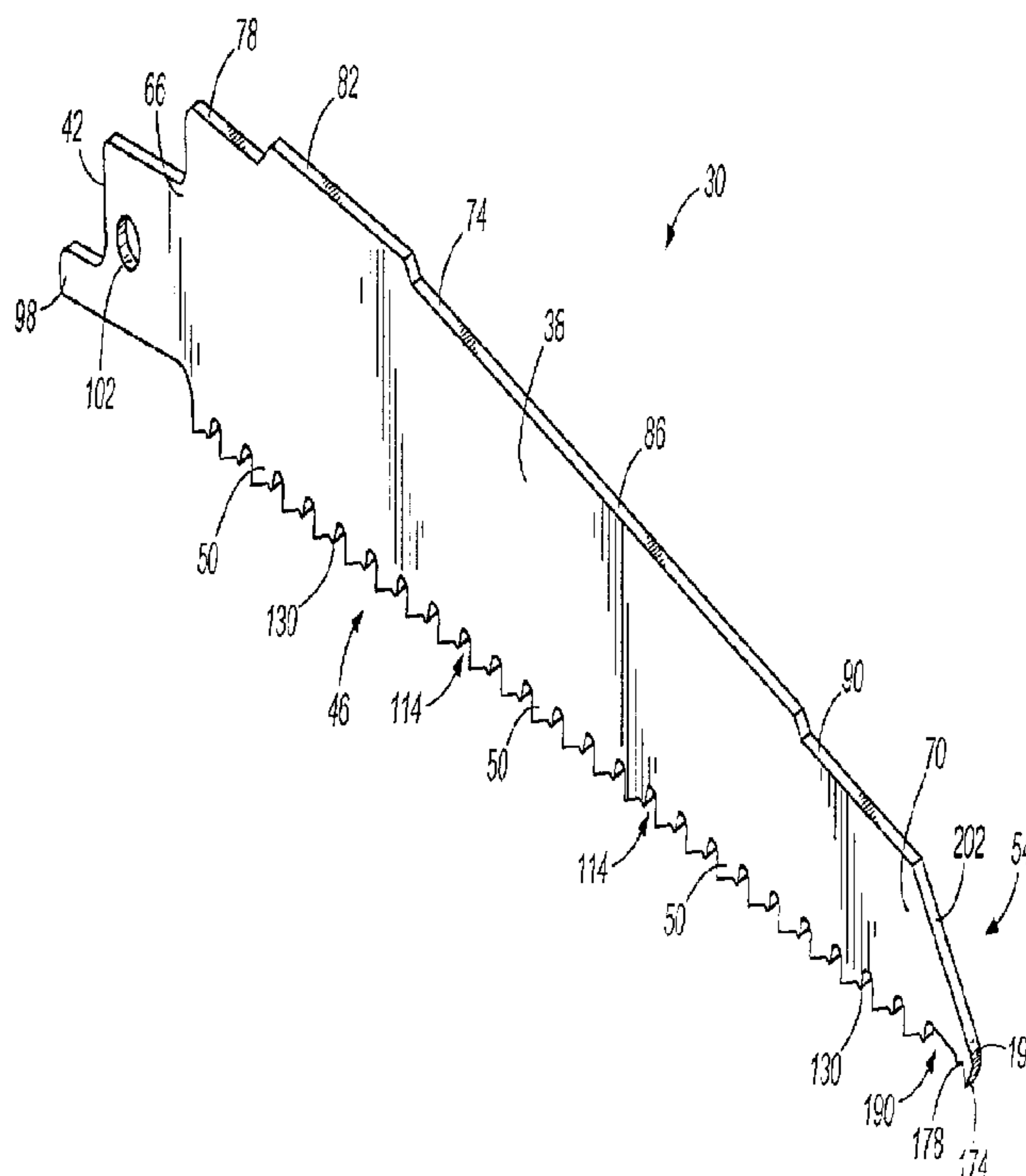




(22) Date de dépôt/Filing Date: 2011/04/22
 (41) Mise à la disp. pub./Open to Public Insp.: 2011/10/27
 (45) Date de délivrance/Issue Date: 2017/06/27
 (62) Demande originale/Original Application: 2 797 111
 (30) Priorités/Priorities: 2010/04/22 (US61/326,834);
 2010/04/22 (US61/326,812); 2010/06/04 (US61/351,436)

(51) Cl.Int./Int.Cl. *B23D 61/12* (2006.01)
 (72) Inventeurs/Inventors:
 BUTZEN, ROBERT W., US;
 KAZDA, AUSTIN J., US;
 SCHULZ, ANDREW J., US
 (73) Propriétaire/Owner:
 MILWAUKEE ELECTRIC TOOL CORPORATION, US
 (74) Agent: MARKS & CLERK

(54) Titre : LAME DE SCIE
 (54) Title: SAW BLADE



(57) **Abrégé/Abstract:**

A reciprocating saw blade for use with a reciprocating saw includes a body defining a longitudinal axis, an attachment portion configured to couple to the reciprocating saw, and a cutting portion formed on the body. The cutting portion includes a plurality of cutting teeth. Each cutting tooth includes a tip, a rake face extending from the tip generally toward the longitudinal axis and defining a gullet, and a relief surface extending from the tip. The blade also includes a plunge point formed on the body for initiating a plunge cut. The plunge point includes a leading tooth and a second tooth. The leading tooth includes a tip and a rake face extending from the tip generally toward the longitudinal axis and defining a leading gullet. The second tooth is positioned in the leading gullet adjacent the leading tooth and is generally smaller than the leading tooth and each cutting tooth.

ABSTRACT

A reciprocating saw blade for use with a reciprocating saw includes a body defining a longitudinal axis, an attachment portion configured to couple to the reciprocating saw, and a cutting portion formed on the body. The cutting portion includes a plurality of cutting teeth. Each cutting tooth includes a tip, a rake face extending from the tip generally toward the longitudinal axis and defining a gullet, and a relief surface extending from the tip. The blade also includes a plunge point formed on the body for initiating a plunge cut. The plunge point includes a leading tooth and a second tooth. The leading tooth includes a tip and a rake face extending from the tip generally toward the longitudinal axis and defining a leading gullet. The second tooth is positioned in the leading gullet adjacent the leading tooth and is generally smaller than the leading tooth and each cutting tooth.

SAW BLADE

This is a divisional application of Canadian Patent Application Serial No. 2,797,111 (filed on April 22, 2011).

BACKGROUND

[0001] The present invention relates to saw blades and, more particularly, to saw blades for use with power tools.

It should be understood that the expression “the invention” and the like used herein may refer to subject matter claimed in either the parent or the divisional applications.

[0002] Saw blades, such as reciprocating saw blades, are used for cutting wood, metal, plastics, and other materials.

[0003] A saw blade typically includes a body, one or more attachment portions, and a cutting portion. The cutting portion comprises a plurality of teeth made up of one or more tooth forms. Tooth forms on saw blades are a major factor in the durability, cost, speed of cutting, and accuracy and quality of cuts made. Each tooth typically includes a tip, a relief face, a rake face, and a gullet. The teeth are generally separated by a pitch length (otherwise identified as the number of teeth per inch (TPI)). Some tooth forms vary along the length of the saw blade or include portions having varied teeth. In some tooth forms, a nail may become lodged in the gullet of a tooth during operation, thereby breaking or otherwise damaging the tooth.

[0004] In many instances, the operator of a reciprocating saw uses the saw and attached saw blade to initiate and make cuts in construction material starting at an edge, or periphery, of the construction material. During such cuts, the cutting portion and the plurality of teeth associated therewith are the first part of the saw blade to contact the material. In other instances, the operator of the reciprocating saw uses the saw and attached saw blade to initiate a cut in a face of the construction material (i.e., away from the edge, or periphery, of the construction material). This type of cut is typically referred to as a plunge cut. During a plunge cut, a leading tooth located proximate the end of the saw blade penetrates the material face first. Therefore, the end geometry and the leading tooth geometry of the saw blade are significant to performance during plunge cutting and may

affect the durability of the saw blade, the speed with which the plunge cut is executed, and the accuracy of the cut.

SUMMARY

[0005] In one embodiment, the invention provides a reciprocating saw blade for use with a reciprocating saw. The reciprocating saw blade includes a body having a first end portion and a

second end portion. The body defines a longitudinal axis. The reciprocating saw blade also includes an attachment portion coupled to the first end portion of the body. The attachment portion includes a tang and an aperture configured to couple to the reciprocating saw. The reciprocating saw blade further includes a cutting portion formed on the body. The cutting portion includes a plurality of cutting teeth. Each cutting tooth includes a tip, a rake face extending from the tip generally toward the longitudinal axis and defining a gullet, and a relief surface extending from the tip generally toward the second end portion of the body. The reciprocating saw blade also includes a plunge point formed on the second end portion of the body for initiating a plunge cut. The plunge point includes a leading tooth and a second tooth. The leading tooth includes a tip and a rake face extending from the tip generally toward the longitudinal axis and defining a leading gullet that extends from the rake face of the leading tooth to the plurality of cutting teeth. The second tooth is positioned in the leading gullet closer to the leading tooth than to a nearest cutting tooth of the plurality of cutting teeth and the second tooth being generally smaller than the leading tooth and each of the plurality of cutting teeth. The plurality of cutting teeth is arranged in a series from the first end portion of the body to the leading gullet without any intervening teeth therebetween. The tips of the plurality of cutting teeth and the tip of the leading tooth define a plane that is generally parallel to the longitudinal axis and a tip of the second tooth is spaced apart from the plane.

[0006] In another embodiment, the invention provides a reciprocating saw blade for use with a reciprocating saw. The reciprocating saw blade including a body having a first end portion and a second end portion. The body defines a longitudinal axis. The reciprocating saw blade also includes an attachment portion coupled to the first end portion of the body. The attachment portion includes a tang and an aperture configured to couple to the reciprocating saw. The reciprocating saw blade further includes a cutting portion formed on the body. The cutting portion includes a plurality of cutting teeth. Each cutting tooth includes a tip, a rake face extending from the tip generally toward the longitudinal axis and defining a gullet, and a relief surface extending from the tip generally toward the second end portion of the body. The reciprocating saw blade also includes a plunge point formed on the second end portion of the body for initiating a plunge cut. The plunge point includes a leading tooth having a tip and a rake face extending from the tip generally toward the longitudinal axis and defining a leading gullet. The tips of the plurality of cutting teeth and the tip of the leading tooth define a plane that

is generally parallel to the longitudinal axis. A first angle between the plane and the rake face of the leading tooth, measured through the leading tooth, is greater than 90 degrees, and a second angle between the plane and the rake face of each cutting tooth, measured through the corresponding cutting tooth, is less than 90 degrees.

[0007] In yet another embodiment, the invention provides a reciprocating saw blade for use with a reciprocating saw. The reciprocating saw blade includes a body having a first end portion and a second end portion. The body defines a longitudinal axis. The reciprocating saw blade also includes an attachment portion coupled to the first end portion of the body. The attachment portion includes a tang and an aperture configured to couple to the reciprocating saw. The reciprocating saw blade further includes a cutting portion formed on the body. The cutting portion includes a plurality of cutting teeth. Each cutting tooth includes a tip, a rake face extending from the tip generally toward the longitudinal axis and defining a gullet, and a relief surface extending from the tip generally toward the second end portion of the body. The reciprocating saw blade also includes a plunge point formed on the second end portion of the body for initiating a plunge cut. The plunge point includes a leading tooth and a second tooth. The leading tooth includes a tip and a rake face extending from the tip generally toward the longitudinal axis and defining a leading gullet that extends from the rake face of the leading tooth to the plurality of cutting teeth. The leading gullet is at least twice as large as each gullet of the plurality of cutting teeth. The second tooth is positioned in the leading gullet closer to the leading tooth than to a nearest cutting tooth of the plurality of cutting teeth and the second tooth is generally smaller than the leading tooth and each of the plurality of cutting teeth. The tips of the plurality of cutting teeth and the tip of the leading tooth define a plane that is generally parallel to the longitudinal axis. A first angle between the plane and the rake face of the leading tooth, measured through the leading tooth, is greater than 90 degrees, and a second angle between the plane and the rake face of each cutting tooth, measured through the corresponding cutting tooth, is less than 90 degrees. The plurality of cutting teeth is arranged in a series from the first end portion of the body to the leading gullet without any intervening teeth therebetween. A tip of the second tooth is spaced apart from the plane.

WO 2011/133864

PCT/US2011/033583

[0008] In another embodiment, the invention provides a reciprocating saw blade for use with a reciprocating saw. The reciprocating saw blade is configured to cut a work piece having a nail extending therethrough. The reciprocating saw blade includes a body defining a longitudinal axis and an attachment portion coupled to the body. The attachment portion includes a tang and an aperture configured to couple to the reciprocating saw. The reciprocating saw blade also includes a cutting portion formed on the body. The cutting portion includes a plurality of cutting teeth. Each cutting tooth includes a tip, a rake face extending from the tip generally toward the longitudinal axis and at least partially defining a gullet, a relief surface extending from the tip and having a first end that is closer to the attachment portion and a second end that is further from the attachment portion, and a protrusion extending from the second end of the relief surface. The protrusion of each cutting tooth inhibits the nail from entering the gullet and contacting the rake face of an adjacent cutting tooth during cutting operations.

[0009] In yet another embodiment, the invention provides a reciprocating saw blade for use with a reciprocating saw. The reciprocating saw blade includes a body defining a longitudinal axis and an attachment portion coupled to the body. The attachment portion includes a tang and an aperture configured to couple to the reciprocating saw. The reciprocating saw blade also includes a cutting portion formed on the body. The cutting portion includes a plurality of cutting teeth. Each cutting tooth includes a tip, a relief surface extending from the tip, and a protrusion extending from an end of the relief surface opposite the tip. The tips of the plurality of cutting teeth define a first plane that is generally parallel to the longitudinal axis and the protrusions of the plurality of cutting teeth define a second plane that is generally parallel to the longitudinal axis. A distance between the first plane and the second plane is at most approximately 0.035 inches.

[0010] In still another embodiment, the invention provides a reciprocating saw blade for use with a reciprocating saw. The reciprocating saw blade includes a body defining a longitudinal axis and an attachment portion coupled to the body. The attachment portion includes a tang and an aperture configured to couple to the reciprocating saw. The reciprocating saw blade also includes a cutting portion formed on the body. The cutting portion includes a plurality of cutting teeth. Each cutting tooth includes a tip, a relief surface extending from the tip, and a protrusion extending from an end of the relief surface opposite the tip. Each cutting tooth defines an

WO 2011/133864

PCT/US2011/033583

effective relief surface that extends from the tip and is tangent to the protrusion. A distance between effective relief surfaces of adjacent cutting teeth is at most approximately 0.06 inches.

[0011] In another embodiment, the invention provides a reciprocating saw blade for use with a reciprocating saw. The reciprocating saw blade includes a body defining a longitudinal axis and an attachment portion coupled to the body. The attachment portion includes a tang and an aperture configured to couple to the reciprocating saw. The attachment portion is angled relative to the longitudinal axis by a tang angle. The reciprocating saw blade also includes a cutting portion formed on the body. The cutting portion includes a plurality of cutting teeth. Each cutting tooth includes a tip, a relief surface extending from the tip, and a protrusion extending from an end of the relief surface opposite the tip. Each cutting tooth defines an effective relief surface that extends from the tip and is tangent to the protrusion. The tips of the plurality of cutting teeth define a plane that is generally parallel to the longitudinal axis. The relief surface of each cutting tooth intersects the plane at a relief angle and the effective relief surface of each cutting tooth intersects the plane at an effective relief angle. The effective relief angle is between the tang angle and the relief angle.

[0012] In yet another embodiment, the invention provides a reciprocating saw blade for use with a reciprocating saw. The reciprocating saw blade is configured to cut a work piece having a nail extending therethrough. The reciprocating saw blade includes a body defining a longitudinal axis and an attachment portion coupled to the body. The attachment portion includes a tang and an aperture configured to couple to the reciprocating saw. The attachment portion is angled relative to the longitudinal axis by a tang angle. The reciprocating saw blade also includes a cutting portion formed on the body. The cutting portion includes a plurality of cutting teeth. Each cutting tooth includes a tip, a rake face extending from the tip generally toward the longitudinal axis and at least partially defining a gullet, a relief surface extending from the tip, and a protrusion extending from an end of the relief surface opposite the tip. The protrusion of each cutting tooth inhibits the nail from entering the gullet and contacting the rake face of an adjacent cutting tooth during cutting operations. Each cutting tooth defines an effective relief surface that extends from the tip and is tangent to the protrusion. The tips of the plurality of cutting teeth define a first plane that is generally parallel to the longitudinal axis and the protrusions of the plurality of cutting teeth define a second plane that is generally parallel to the

longitudinal axis. A distance between the first plane and the second plane is at most approximately 0.035 inches. A distance between effective relief surfaces of adjacent cutting teeth is at most approximately 0.06 inches. The relief surface of each cutting tooth intersects the first plane at a relief angle and the effective relief surface of each cutting tooth intersects the first plane at an effective relief angle. The effective relief angle is between the tang angle and the relief angle.

Aspects of the present invention are provided by the following clauses.

CLAUSES

1. A reciprocating saw blade for use with a reciprocating saw, the reciprocating saw blade comprising:
 - a body having a first end portion and a second end portion, the body defining a longitudinal axis;
 - an attachment portion coupled to the first end portion of the body, the attachment portion including a tang and an aperture configured to couple to the reciprocating saw;
 - a cutting portion formed on the body, the cutting portion including a plurality of cutting teeth, each cutting tooth including a tip, a rake face extending from the tip generally toward the longitudinal axis and defining a gullet, and a relief surface extending from the tip generally toward the second end portion of the body; and
 - a plunge point formed on the second end portion of the body for initiating a plunge cut, the plunge point including a leading tooth and a second tooth, the leading tooth including a tip and a rake face extending from the tip generally toward the longitudinal axis and defining a leading gullet, the second tooth being positioned in the leading gullet adjacent the leading tooth and being generally smaller than the leading tooth and each of the plurality of cutting teeth.
2. The reciprocating saw blade of clause 1, wherein the tips of the plurality of cutting teeth and the tip of the leading tooth define a plane that is generally parallel to the longitudinal axis, and wherein the second tooth is spaced apart from the plane.

3. The reciprocating saw blade of clause 1, wherein each cutting tooth has a first utmost width measured generally parallel to the longitudinal axis, the leading tooth has a second utmost width measured generally parallel to the longitudinal axis, and the second tooth has a third utmost width measured generally parallel to the longitudinal axis, and wherein the third utmost width is less than the first utmost width and the second utmost width.
4. The reciprocating saw blade of clause 1, wherein the leading gullet is larger than each gullet of the plurality of cutting teeth.
5. The reciprocating saw blade of clause 4, wherein the leading gullet is at least twice as large as each gullet of the plurality of cutting teeth.
6. The reciprocating saw blade of clause 5, wherein the leading gullet is approximately four times larger than each gullet of the plurality of cutting teeth.
7. The reciprocating saw blade of clause 1, wherein a ratio between a distance from the tip of the leading tooth to the tip of the nearest cutting tooth, measured generally parallel to the longitudinal axis, and a distance between the tips of adjacent cutting teeth, measured generally parallel to the longitudinal axis, is approximately 2.0.
8. The reciprocating saw blade of clause 1, wherein the second tooth includes a tip, and wherein a ratio between a distance from the tip of the leading tooth to the tip of the nearest cutting tooth, measured generally parallel to the longitudinal axis, and a distance from the tip of the leading tooth to the tip of the second tooth, measured generally parallel to the longitudinal axis, is approximately 6.6.
9. The reciprocating saw blade of clause 1, wherein the second tooth includes a tip, and wherein a ratio between a distance from the tip of the leading tooth to the tip of the second tooth, measured generally parallel to the longitudinal axis, and a distance between the tips of adjacent cutting teeth, measured generally parallel to the longitudinal axis, is approximately 0.3.
10. The reciprocating saw blade of clause 1, wherein the second tooth is generally V-shaped.

11. The reciprocating saw blade of clause 1, wherein the second tooth includes a tip, a rake face extending generally toward the longitudinal axis, and a relief surface extending generally toward the leading tooth, wherein the tips of the plurality of cutting teeth define a plane that is generally parallel to the longitudinal axis, and wherein a first angle between the plane and the rake face of the second tooth, measured through the second tooth, is greater than 90 degrees.

12. The reciprocating saw blade of clause 11, wherein the first angle is approximately 95 to 105 degrees.

13. The reciprocating saw blade of clause 11, wherein a second angle between the plane and the rake face of each cutting tooth, measured through the corresponding cutting tooth, is less than 90 degrees.

14. The reciprocating saw of clause 11, wherein a third angle between the plane and the rake face of the leading tooth, measured through the leading tooth, is greater than 90 degrees.

15. A reciprocating saw blade for use with a reciprocating saw, the reciprocating saw blade comprising:

- a body having a first end portion and a second end portion, the body defining a longitudinal axis;

- an attachment portion coupled to the first end portion of the body, the attachment portion including a tang and an aperture configured to couple to the reciprocating saw;

- a cutting portion formed on the body, the cutting portion including a plurality of cutting teeth, each cutting tooth including a tip, a rake face extending from the tip generally toward the longitudinal axis and defining a gullet, and a relief surface extending from the tip generally toward the second end portion of the body; and

- a plunge point formed on the second end portion of the body for initiating a plunge cut, the plunge point including a leading tooth having a tip and a rake face extending from the tip generally toward the longitudinal axis and defining a leading gullet;

- wherein the tips of the plurality of cutting teeth and the tip of the leading tooth define a plane that is generally parallel to the longitudinal axis, wherein a first angle between the plane and the rake face of the leading tooth, measured through the leading tooth, is greater than 90 degrees, and wherein a second angle between the plane and the

rake face of each cutting tooth, measured through the corresponding cutting tooth, is less than 90 degrees.

16. The reciprocating saw blade of clause 15, wherein the first angle is approximately 95 to 105 degrees.

17. The reciprocating saw blade of clause 15, wherein the second angle is approximately 80 to 88 degrees.

18. The reciprocating saw blade of clause 15, wherein each cutting tooth has a first utmost width measured generally parallel to the longitudinal axis and the leading tooth has a second utmost width measured generally parallel to the longitudinal axis, and wherein the second utmost width is less than the first utmost width.

19. The reciprocating saw blade of clause 15, wherein the leading tooth includes a relief surface extending from the tip of the leading tooth to an end of the body, and wherein a third angle between the plane and the relief surface of the leading tooth is greater than 45 degrees and less than 90 degrees.

20. The reciprocating saw blade of clause 19, wherein the third angle is approximately 55 to 65 degrees.

21. The reciprocating saw blade of clause 19, wherein the end of the body is generally rounded.

22. The reciprocating saw blade of clause 15, wherein the leading gullet is larger than each gullet of the plurality of cutting teeth.

23. The reciprocating saw blade of clause 22, wherein the leading gullet is at least twice as large as each gullet of the plurality of cutting teeth.

24. The reciprocating saw blade of clause 23, wherein the leading gullet is approximately four times larger than each gullet of the plurality of cutting teeth.

25. The reciprocating saw blade of clause 15, wherein a ratio between a distance from the tip of the leading tooth to the tip of the nearest cutting tooth, measured generally

parallel to the longitudinal axis, and a distance between the tips of adjacent cutting teeth, measured generally parallel to the longitudinal axis, is approximately 2.0.

26. The reciprocating saw blade of clause 15, wherein the plunge point includes a second tooth positioned in the leading gullet adjacent the leading tooth, and wherein the second tooth is spaced apart from the plane.

27. A reciprocating saw blade for use with a reciprocating saw, the reciprocating saw blade comprising:

a body having a first end portion and a second end portion, the body defining a longitudinal axis;

an attachment portion coupled to the first end portion of the body, the attachment portion including a tang and an aperture configured to couple to the reciprocating saw;

a cutting portion formed on the body, the cutting portion including a plurality of cutting teeth, each cutting tooth including a tip, a rake face extending from the tip generally toward the longitudinal axis and defining a gullet, and a relief surface extending from the tip generally toward the second end portion of the body; and

a plunge point formed on the second end portion of the body for initiating a plunge cut, the plunge point including a leading tooth and a second tooth, the leading tooth including a tip and a rake face extending from the tip generally toward the longitudinal axis and defining a leading gullet, the leading gullet being at least twice as large as each gullet of the plurality of cutting teeth, the second tooth being positioned in the leading gullet adjacent the leading tooth and being generally smaller than the leading tooth and each of the plurality of cutting teeth;

wherein the tips of the plurality of cutting teeth and the tip of the leading tooth define a plane that is generally parallel to the longitudinal axis, wherein a first angle between the plane and the rake face of the leading tooth, measured through the leading tooth, is greater than 90 degrees, and wherein a second angle between the plane and the rake face of each cutting tooth, measured through the corresponding cutting tooth, is less than 90 degrees.

28. The reciprocating saw blade of clause 27, wherein the first angle is approximately 95 to 105 degrees.

29. The reciprocating saw blade of clause 27, wherein the second angle is approximately 80 to 88 degrees.
30. The reciprocating saw blade of clause 27, wherein the second tooth is spaced apart from the plane.
31. The reciprocating saw blade of clause 27, wherein each cutting tooth has a first utmost width measured generally parallel to the longitudinal axis, the leading tooth has a second utmost width measured generally parallel to the longitudinal axis, and the second tooth has a third utmost width measured generally parallel to the longitudinal axis, and wherein the third utmost width is less than the second utmost width and the second utmost width is less than the first utmost width.
32. The reciprocating saw blade of clause 27, wherein the leading gullet is approximately four times larger than each gullet of the plurality of cutting teeth.
33. The reciprocating saw blade of clause 27, wherein a ratio between a distance from the tip of the leading tooth to the tip of the nearest cutting tooth, measured generally parallel to the longitudinal axis, and a distance between the tips of adjacent cutting teeth, measured generally parallel to the longitudinal axis, is approximately 2.0.
34. The reciprocating saw blade of clause 27, wherein the second tooth includes a tip, and wherein a ratio between a distance from the tip of the leading tooth to the tip of the nearest cutting tooth, measured generally parallel to the longitudinal axis, and a distance from the tip of the leading tooth to the tip of the second tooth, measured generally parallel to the longitudinal axis, is approximately 6.6.
35. The reciprocating saw blade of clause 27, wherein the second tooth includes a tip, and wherein a ratio between a distance from the tip of the leading tooth to the tip of the second tooth, measured generally parallel to the longitudinal axis, and a distance between the tips of adjacent cutting teeth, measured generally parallel to the longitudinal axis, is approximately 0.3.
36. The reciprocating saw blade of clause 27, wherein the second tooth is generally V-shaped.

37. The reciprocating saw blade of clause 27, wherein the second tooth includes a tip, a rake face extending generally toward the longitudinal axis, and a relief surface extending generally toward the leading tooth, and wherein a third angle between the plane and the rake face of the second tooth, measured through the second tooth, is greater than 90 degrees.

38. The reciprocating saw blade of clause 37, wherein the third angle is approximately 95 to 105 degrees.

39. A reciprocating saw blade for use with a reciprocating saw, the reciprocating saw blade configured to cut a work piece having a nail extending therethrough, the reciprocating saw blade comprising:

a body defining a longitudinal axis;

an attachment portion coupled to the body, the attachment portion including a tang and an aperture configured to couple to the reciprocating saw; and

a cutting portion formed on the body, the cutting portion including a plurality of cutting teeth, each cutting tooth including a tip, a rake face extending from the tip generally toward the longitudinal axis and at least partially defining a gullet, a relief surface extending from the tip and having a first end that is closer to the attachment portion and a second end that is further from the attachment portion, and a protrusion extending from the second end of the relief surface, the protrusion of each cutting tooth inhibiting the nail from entering the gullet and contacting the rake face of an adjacent cutting tooth during cutting operations.

40. The reciprocating saw blade of clause 39, wherein the tips of the plurality of cutting teeth define a plane that is generally parallel to the longitudinal axis, and wherein the protrusions of the plurality of cutting teeth are spaced apart from the plane.

41. The reciprocating saw blade of clause 39, wherein the protrusions of the plurality of cutting teeth do not cut the work piece during cutting operations.

42. The reciprocating saw blade of clause 39, wherein the protrusion of each cutting tooth is generally rounded.

43. The reciprocating saw of clause 39, wherein the gullet of each cutting tooth includes a base, and wherein a ratio between a distance from the base of the gullet to an apex of the

protrusion, measured generally perpendicular to the longitudinal axis, and a distance from the base of the gullet to the tip, measured generally perpendicular to the longitudinal axis, of each cutting tooth is approximately 0.68.

44. The reciprocating saw of clause 39, wherein a ratio between a distance from the protrusion to the tip of the one cutting tooth, measured generally parallel to the longitudinal axis, and a distance from the protrusion of the one cutting tooth and the tip of an adjacent cutting tooth, measured generally parallel to the longitudinal axis, is approximately 1.5.

45. The reciprocating saw blade of clause 39, further comprising a plunge point formed on the body opposite the attachment portion for initiating a plunge cut.

46. The reciprocating saw blade of clause 45, wherein the plunge point includes a leading tooth having a tip and defining a leading gullet between the leading tooth and the plurality of cutting teeth, and wherein the leading gullet is larger than the gullets of the plurality of cutting teeth.

47. The reciprocating saw blade of clause 46, wherein the plunge point further includes a second tooth positioned in the leading gullet adjacent the leading tooth, wherein the tips of the plurality of cutting teeth and the tip of the leading tooth define a plane that is generally parallel to the longitudinal axis, and wherein the second tooth is spaced apart from the plane.

48. A reciprocating saw blade for use with a reciprocating saw, the reciprocating saw blade comprising:

a body defining a longitudinal axis;

an attachment portion coupled to the body, the attachment portion including a tang and an aperture configured to couple to the reciprocating saw; and

a cutting portion formed on the body, the cutting portion including a plurality of cutting teeth, each cutting tooth including a tip, a relief surface extending from the tip, and a protrusion extending from an end of the relief surface opposite the tip;

wherein the tips of the plurality of cutting teeth define a first plane that is generally parallel to the longitudinal axis and the protrusions of the plurality of cutting teeth define a second plane that is generally parallel to the longitudinal axis, and wherein a distance between the first plane and the second plane is at most approximately 0.035 inches.

49. The reciprocating saw blade of clause 48, wherein the distance between the first plane and the second plane is approximately 0.032 inches.
50. The reciprocating saw blade of clause 49, wherein a distance between the protrusion of one cutting tooth and the tip of an adjacent cutting tooth, measured generally parallel to the longitudinal axis, is approximately 0.08 inches.
51. The reciprocating saw blade of clause 48, wherein the reciprocating saw blade is configured to cut a work piece having a nail extending therethrough, wherein each cutting tooth includes a rake face extending from the tip generally toward the longitudinal axis and at least partially defining a gullet, and wherein the protrusion of each cutting tooth inhibits the nail from entering the gullet and contacting the rake face of an adjacent cutting tooth during cutting operations.
52. The reciprocating saw blade of clause 48, wherein adjacent cutting teeth of the plurality of cutting teeth are separated by a pitch of approximately 0.2 inches.
53. The reciprocating saw blade of clause 48, wherein the protrusion of each cutting tooth is generally rounded.
54. The reciprocating saw blade of clause 48, wherein the relief surface of each cutting tooth includes a first end that is closer to the attachment portion and a second end that is further from the attachment portion, and wherein the tip of each cutting tooth is formed at the first end of the relief surface and the protrusion of each cutting tooth extends from the second end of the relief surface.
55. A reciprocating saw blade for use with a reciprocating saw, the reciprocating saw blade comprising:
- a body defining a longitudinal axis;
 - an attachment portion coupled to the body, the attachment portion including a tang and an aperture configured to couple to the reciprocating saw; and
 - a cutting portion formed on the body, the cutting portion including a plurality of cutting teeth, each cutting tooth including a tip, a relief surface extending from the tip, and a protrusion extending from an end of the relief surface opposite the tip, each cutting tooth defining an effective relief surface that extends from the tip and is tangent to the protrusion;

wherein a distance between effective relief surfaces of adjacent cutting teeth is at most approximately 0.06 inches.

56. The reciprocating saw blade of clause 55, wherein the distance between effective relief surfaces of adjacent cutting teeth is approximately 0.05 inches.

57. The reciprocating saw blade of clause 55, wherein the tips of the plurality of cutting teeth define a plane that is generally parallel to the longitudinal axis, and wherein the effective relief surface of each cutting tooth intersects the plane at an angle of approximately 14.5 degrees.

58. The reciprocating saw blade of clause 55, wherein the reciprocating saw blade is configured to cut a work piece having a nail extending therethrough, wherein each cutting tooth includes a rake face extending from the tip generally toward the longitudinal axis and at least partially defining a gullet, and wherein the protrusion of each cutting tooth inhibits the nail from entering the gullet and contacting the rake face of an adjacent cutting tooth during cutting operations.

59. The reciprocating saw blade of clause 55, wherein adjacent cutting teeth of the plurality of cutting teeth are separated by a pitch of approximately 0.2 inches.

60. The reciprocating saw blade of clause 55, wherein the protrusion of each cutting tooth is generally rounded.

61. The reciprocating saw blade of clause 55, wherein the relief surface of each cutting tooth includes a first end that is closer to the attachment portion and a second end that is further from the attachment portion, and wherein the tip of each cutting tooth is formed at the first end of the relief surface and the protrusion of each cutting tooth extends from the second end of the relief surface.

62. The reciprocating saw blade of clause 61, wherein the relief surface of each cutting tooth extends approximately 0.1 inches from the first end to the second end.

63. A reciprocating saw blade for use with a reciprocating saw, the reciprocating saw blade comprising:

a body defining a longitudinal axis;

an attachment portion coupled to the body, the attachment portion including a tang and an aperture configured to couple to the reciprocating saw, the attachment portion being angled relative to the longitudinal axis by a tang angle; and

a cutting portion formed on the body, the cutting portion including a plurality of cutting teeth, each cutting tooth including a tip, a relief surface extending from the tip, and a protrusion extending from an end of the relief surface opposite the tip, each cutting tooth defining an effective relief surface that extends from the tip and is tangent to the protrusion;

wherein the tips of the plurality of cutting teeth define a plane that is generally parallel to the longitudinal axis, wherein the relief surface of each cutting tooth intersects the plane at a relief angle and the effective relief surface of each cutting tooth intersects the plane at an effective relief angle, and wherein the effective relief angle is between the tang angle and the relief angle.

64. The reciprocating saw blade of clause 63, wherein the tang angle is approximately 6.5 degrees and the relief angle of each cutting tooth is approximately 23 degrees.

65. The reciprocating saw blade of clause 64, wherein the effective relief angle of each cutting tooth is approximately 14.5 degrees.

66. The reciprocating saw blade of clause 63, wherein a ratio between the relief angle and the effective relief angle of each cutting tooth is approximately 1.6.

67. The reciprocating saw blade of clause 63, wherein a ratio between the effective relief angle, in degrees, of each cutting tooth and a distance, in inches, between effective relief surfaces of adjacent cutting teeth is approximately 290.

68. The reciprocating saw blade of clause 63, wherein a ratio between a distance from the protrusion of one cutting tooth to the tip of an adjacent cutting tooth, measured generally parallel to the longitudinal axis, and a distance between effective relief surfaces of adjacent cutting teeth is approximately 1.6.

69. The reciprocating saw blade of clause 63, wherein the reciprocating saw blade is configured to cut a work piece having a nail extending therethrough, wherein each cutting tooth includes a rake face extending from the tip generally toward the longitudinal axis and at least partially defining a gullet, and wherein the protrusion of each cutting tooth inhibits

the nail from entering the gullet and contacting the rake face of an adjacent cutting tooth during cutting operations.

70. The reciprocating saw blade of clause 63, wherein adjacent cutting teeth of the plurality of cutting teeth are separated by a pitch of approximately 0.2 inches.

71. The reciprocating saw blade of clause 63, wherein the protrusion of each cutting tooth is generally rounded.

72. The reciprocating saw blade of clause 63, wherein the relief surface of each cutting tooth includes a first end that is closer to the attachment portion and a second end that is further from the attachment portion, and wherein the tip of each cutting tooth is formed at the first end of the relief surface and the protrusion of each cutting tooth extends from the second end of the relief surface.

73. A reciprocating saw blade for use with a reciprocating saw, the reciprocating saw blade configured to cut a work piece having a nail extending therethrough, the reciprocating saw blade comprising:

a body defining a longitudinal axis;

an attachment portion coupled to the body, the attachment portion including a tang and an aperture configured to couple to the reciprocating saw, the attachment portion being angled relative to the longitudinal axis by a tang angle; and

a cutting portion formed on the body, the cutting portion including a plurality of cutting teeth, each cutting tooth including a tip, a rake face extending from the tip generally toward the longitudinal axis and at least partially defining a gullet, a relief surface extending from the tip, and a protrusion extending from an end of the relief surface opposite the tip, the protrusion of each cutting tooth inhibiting the nail from entering the gullet and contacting the rake face of an adjacent cutting tooth during cutting operations, each cutting tooth defining an effective relief surface that extends from the tip and is tangent to the protrusion;

wherein the tips of the plurality of cutting teeth define a first plane that is generally parallel to the longitudinal axis and the protrusions of the plurality of cutting teeth define a second plane that is generally parallel to the longitudinal axis, wherein a distance between the first plane and the second plane is at most approximately 0.035 inches;

wherein a distance between effective relief surfaces of adjacent cutting teeth is at most approximately 0.06 inches; and

wherein the relief surface of each cutting tooth intersects the first plane at a relief angle and the effective relief surface of each cutting tooth intersects the first plane at an effective relief angle, and wherein the effective relief angle is between the tang angle and the relief angle.

74. The reciprocating saw blade of clause 73, wherein the distance between the first plane and the second plane is approximately 0.032 inches.

75. The reciprocating saw blade of clause 74, wherein a distance between the protrusion of one cutting tooth and the tip of an adjacent cutting tooth, measured generally parallel to the longitudinal axis, is approximately 0.08 inches.

76. The reciprocating saw blade of clause 73, wherein the distance between effective relief surfaces of adjacent cutting teeth is approximately 0.05 inches.

77. The reciprocating saw blade of clause 73, wherein the tang angle is approximately 6.5 degrees and the relief angle of each cutting tooth is approximately 23 degrees.

78. The reciprocating saw blade of clause 77, wherein the effective relief angle of each cutting tooth is approximately 14.5 degrees.

79. The reciprocating saw blade of clause 73, wherein adjacent cutting teeth of the plurality of cutting teeth are separated by a pitch of approximately 0.2 inches.

80. The reciprocating saw blade of clause 73, wherein the protrusion of each cutting tooth is generally rounded.

According to one aspect of the present invention there is provided a reciprocating saw blade for use with a reciprocating saw, the reciprocating saw blade configured to cut a work piece having a nail extending therethrough, the reciprocating saw blade comprising:

a body defining a longitudinal axis;

an attachment portion coupled to the body, the attachment portion including a tang and an aperture configured to couple to the reciprocating saw; and

a cutting portion formed on the body, the cutting portion including a plurality of cutting teeth, each cutting tooth including a tip, a rake face extending from the tip generally toward the longitudinal axis and at least partially defining a gullet, a relief surface extending from the tip and having a first end that is closer to the attachment portion and a second end that is further from the attachment portion, and a protrusion extending from the second end of the relief surface, the protrusion of each cutting tooth inhibiting the nail from entering the gullet and contacting the rake face of an adjacent cutting tooth during cutting operations;

wherein the tips of the plurality of cutting teeth define a first plane that is generally parallel to the longitudinal axis and the protrusions of the plurality of cutting teeth define a second plane that is generally parallel to the longitudinal axis, and wherein a distance between the first plane and the second plane is at most 0.035 inches; and

wherein a distance between the protrusion of one cutting tooth and the tip of an adjacent cutting tooth, measured generally parallel to the longitudinal axis, is 0.08 inches.

According to a further aspect of the present invention there is provided a reciprocating saw blade for use with a reciprocating saw, the reciprocating saw blade comprising:

a body defining a longitudinal axis;

an attachment portion coupled to the body, the attachment portion including a tang and an aperture configured to couple to the reciprocating saw; and

a cutting portion formed on the body, the cutting portion including a plurality of cutting teeth, each cutting tooth including a tip, a relief surface extending from the tip, and a protrusion extending from an end of the relief surface opposite the tip;

wherein the tips of the plurality of cutting teeth define a first plane that is generally parallel to the longitudinal axis and the protrusions of the plurality of cutting teeth define a second plane that is generally parallel to the longitudinal axis, and wherein a distance between the first plane and the second plane is at most approximately 0.035 inches;

wherein a distance between the protrusion of one cutting tooth and the tip of an adjacent cutting tooth, measured generally parallel to the longitudinal axis, is approximately 0.08 inches.

According to another aspect of the present invention there is provided a reciprocating saw blade for use with a reciprocating saw, the reciprocating saw blade comprising:

a body defining a longitudinal axis;

an attachment portion coupled to the body, the attachment portion including a tang and an aperture configured to couple to the reciprocating saw; and

a cutting portion formed on the body, the cutting portion including a plurality of cutting teeth, each cutting tooth including a tip, a relief surface extending from the tip, and a protrusion extending from an end of the relief surface opposite the tip, each cutting tooth defining an effective relief surface that extends from the tip and is tangent to the protrusion;

wherein the tips of the plurality of cutting teeth define a plane that is generally parallel to the longitudinal axis, and wherein the effective relief surface of each cutting tooth intersects the plane at an angle of approximately 14.5 degrees, and wherein a distance between effective relief surfaces of adjacent cutting teeth, measured perpendicular to the effective relief surfaces, is at most approximately 0.06 inches.

According to yet another aspect of the present invention there is provided a reciprocating saw blade for use with a reciprocating saw, the reciprocating saw blade comprising:

a body defining a longitudinal axis;

an attachment portion coupled to the body, the attachment portion including a tang and an aperture configured to couple to the reciprocating saw, the attachment portion being angled relative to the longitudinal axis by a tang angle; and

a cutting portion formed on the body, the cutting portion including a plurality of cutting teeth, each cutting tooth including a tip, a relief surface extending from the tip, and a protrusion extending from an end of the relief surface opposite the tip, each cutting tooth defining an effective relief surface that extends from the tip and is tangent to the protrusion;

wherein the tips of the plurality of cutting teeth define a plane that is generally parallel to the longitudinal axis, wherein the relief surface of each cutting tooth intersects the plane at a relief angle and the effective relief surface of each cutting tooth intersects the plane at an effective relief angle, and wherein a value of the effective relief angle is between a value of the tang angle and a value of the relief angle.

According to still another aspect of the present invention there is provided a reciprocating saw blade for use with a reciprocating saw, the reciprocating saw blade configured to cut a work piece having a nail extending therethrough, the reciprocating saw blade comprising:

a body defining a longitudinal axis;

an attachment portion coupled to the body, the attachment portion including a tang and an aperture configured to couple to the reciprocating saw, the attachment portion being angled relative to the longitudinal axis by a tang angle; and

a cutting portion formed on the body, the cutting portion including a plurality of cutting teeth, each cutting tooth including a tip, a rake face extending from the tip generally toward the longitudinal axis and at least partially defining a gullet, a relief surface extending from the tip, and a protrusion extending from an end of the relief surface opposite the tip, the protrusion of each cutting tooth inhibiting the nail from entering the gullet and contacting the rake face of an adjacent cutting tooth during cutting operations, each cutting tooth defining an effective relief surface that extends from the tip and is tangent to the protrusion;

wherein the tips of the plurality of cutting teeth define a first plane that is generally parallel to the longitudinal axis and the protrusions of the plurality of cutting teeth define a second plane that is generally parallel to the longitudinal axis, wherein a distance between the first plane and the second plane is at most approximately 0.035 inches;

wherein the effective relief angle of each cutting tooth is approximately 14.5 degrees, wherein a distance between effective relief surfaces of adjacent cutting teeth, measured perpendicular to the effective relief surfaces, is at most approximately 0.06 inches; and

wherein the relief surface of each cutting tooth intersects the first plane at a relief angle and the effective relief surface of each cutting tooth intersects the first plane at an effective relief angle, and wherein a value of the effective relief angle is between a value of the tang angle and a value of the relief angle.

[0013] Other aspects of the invention will become apparent by consideration of the detailed description and accompanying drawings.

BRIEF DESCRIPTION OF THE DRAWINGS

[0014] Fig. 1 is a perspective view of a saw blade according to one embodiment of the invention.

[0015] Fig. 2 is a side view of the saw blade shown in Fig. 1.

[0016] Fig. 3 is an enlarged side view of a portion of the saw blade shown in Fig. 1.

[0017] Fig. 4 is an enlarged side view of the portion of the saw blade shown in Fig. 4, the saw blade cutting through a work piece having a nail extending therethrough.

[0018] Fig. 5 is a side view of a saw blade according to another embodiment of the invention.

[0019] Fig. 6 is an enlarged side view of a portion of the saw blade shown in Fig. 5.

[0020] Fig. 7 is an enlarged side view of a portion of a saw blade according to yet another embodiment of the invention.

[0021] Fig. 8 is a side view of a saw blade according to another embodiment of the invention.

[0022] Fig. 9 is an enlarged side view of a portion of the saw blade shown in Fig. 8.

- [0023] Fig. 10 is a side view of a saw blade according to another embodiment of the invention.
- [0024] Fig. 11 is an enlarged side view of a portion of the saw blade shown in Fig. 10.
- [0025] Fig. 12 is a side view of a saw blade according to another embodiment of the invention.
- [0026] Fig. 13 is an enlarged side view of a portion of the saw blade shown in Fig. 12.
- [0027] Fig. 14 is a side view of a saw blade according to another embodiment of the invention.
- [0028] Fig. 15 is an enlarged side view of a portion of the saw blade shown in Fig. 14.
- [0029] Fig. 16 is a side view of a saw blade according to another embodiment of the invention.
- [0030] Fig. 17 is an enlarged side view of a portion of the saw blade shown in Fig. 16.
- [0031] Fig. 18 is a side view of a saw blade according to another embodiment of the invention.
- [0032] Fig. 19 is an enlarged side view of a portion of the saw blade shown in Fig. 18.
- [0033] Fig. 20 is a side view of a saw blade according to another embodiment of the invention.
- [0034] Fig. 21 is an enlarged side view of a portion of the saw blade shown in Fig. 20.
- [0035] Fig. 22 is a side view of a saw blade according to another embodiment of the invention.
- [0036] Fig. 23 is an enlarged side view of a portion of the saw blade shown in Fig. 22.
- [0037] Fig. 24 is a side view of a saw blade according to another embodiment of the invention.

WO 2011/133864

PCT/US2011/033583

[0038] Fig. 25 is an enlarged side view of a portion of the saw blade shown in Fig. 24.

[0039] Fig. 26 is a side view of a saw blade according to another embodiment of the invention.

[0040] Fig. 27 is an enlarged side view of a portion of the saw blade shown in Fig. 26.

[0041] Fig. 28 is a perspective view of a reciprocating saw.

[0042] Before any embodiments of the invention are explained in detail, it is to be understood that the invention is not limited in its application to the details of construction and the arrangement of components set forth in the following description or illustrated in the following drawings. The invention is capable of other embodiments and of being practiced or of being carried out in various ways.

DETAILED DESCRIPTION

[0043] Figs. 1-3 illustrate a saw blade 30 according to one embodiment of the invention. The illustrated saw blade 30 is a reciprocating saw blade for use with a power tool such as, for example, a reciprocating saw 34 (Fig. 28). The saw blade 30 includes a body 38, an attachment portion 42 for coupling the blade 30 to the reciprocating saw 34, a cutting portion 46 having a plurality of cutting teeth 50, and a plunge point 54 for initiating a plunge cut. In the illustrated embodiment, the body 38, the attachment portion 42, the cutting portion 46, and the plunge point 54 are all integrally formed as a single piece such that the saw blade 30 is a unitary structure. In other embodiments, the saw blade 30 may be formed from several pieces that are welded or otherwise secured together. During operation, the saw blade 30 is reciprocated in a cutting direction 58 and a return direction 62 (Fig. 2) to cut through a work piece. In some embodiments, the saw 34 and the blade 30 may be used to cut through work pieces composed of wood having nails extending through or embedded therein.

[0044] The body 38 includes a first end portion 66 and a second end portion 70. The attachment portion 42 is coupled to (e.g., formed at) the first end portion 66 of the body 38 and the plunge point 54 is coupled to (e.g., formed at) the second end portion 70 of the body 38. A back portion 74 extends between the attachment portion 42 and the plunge point 54 on a side of

WO 2011/133864

PCT/US2011/033583

the body 38 opposite the cutting portion 46. The illustrated back portion 74 includes four stepped surfaces 78, 82, 86, 90 at different distances from the cutting portion 46. The body 38 also defines a longitudinal axis 94 (Figs. 2 and 3) extending through the first end portion 66 and the second end portion 70.

[0045] The attachment portion 42 extends from the first end portion 66 of the body 38 and includes a tang 98 and an aperture 102. The tang 98 and the aperture 102 are configured to engage a blade clamp of a reciprocating saw to securely and releasably couple the blade 30 to the saw. As shown in Fig. 2, the illustrated attachment portion 42 is angled relative to the longitudinal axis 94 by a tang angle A. In the illustrated embodiment, the tang angle A is approximately 6.5 degrees. In other embodiments, the tang angle A may be larger or smaller.

[0046] Referring to Figs. 2 and 3, the cutting teeth 50 define a tooth form on the body 38. The illustrated tooth form includes five teeth per inch (TPI) such that adjacent cutting teeth 50 are separated by a pitch P of 0.2 inches. In other embodiments, the saw blade 30 may include fewer or more teeth per inch. For example, the tooth form may include 4 TPI, 6 TPI, or the like. In the illustrated embodiment, the cutting teeth 50 are unset such that the teeth 50 extend straight from the body 38. In other embodiments, some or all of the teeth 50 may be bent or "set" at various angles relative to a hypothetical plane defined by the body 38. The distances and angles identified herein refer to a saw blade in which the cutting teeth are unset. However, it should be readily apparent that a saw blade may be designed according to the disclosed dimensions with unset cutting teeth, and the cutting teeth may ultimately be set as desired during manufacture.

[0047] As shown in Fig. 3, each cutting tooth 50 includes a tip 106, a rake face 110 extending from the tip 106 generally toward the longitudinal axis 94 and at least partially defining a gullet 114, a relief surface 118 extending from the tip 106 and having a first end 122 that is closer to the attachment portion 42 and a second end 126 that is further from the attachment portion 42, and a protrusion 130 extending from the second end 126 of the relief surface 118. The tips 106 of the cutting teeth define a plane 134 that is generally parallel to the longitudinal axis 94.

[0048] Each rake face 110 extends from the corresponding tip 106 at a rake angle B relative to the plane 134. The rake angle B of each cutting tooth 50, measured through the corresponding

cutting tooth 50, is a positive rake angle (i.e., less than 90 degrees). In the illustrated embodiment, the rake angle B of each cutting tooth is approximately 80 to 88 degrees. In other embodiments, the rake angle B may be larger or smaller, or each rake face 110 may extend at a 'negative rake angle' (i.e., greater than 90 degrees relative to the plane 134).

[0049] The gullet 114 of each cutting tooth 50 is defined by the rake face 110 of the cutting tooth 50 and a gullet surface 138. Each gullet surface 138 extends from the corresponding rake face 110 to the protrusion 130 of an adjacent tooth 50 and includes a base 142. The gullet surfaces 138 are defined by a first gullet radius r_1 , a second gullet radius r_2 , and a third gullet radius r_3 . In the illustrated embodiment, the first gullet radius r_1 is approximately 0.021 inches, the second gullet radius r_2 is approximately 0.035 inches, and the third gullet radius r_3 is approximately 0.040 inches. The gullet 114 of each tooth 50 also has a gullet depth L, or tooth height, measured from the base 142 of the gullet 114 to the tip 106 of the tooth 50. In the illustrated embodiment, the gullet depth L is approximately 0.1 inches.

[0050] The relief surface 118 of each cutting tooth 50 extends generally toward the longitudinal axis 94 and toward the plunge point 54. The relief surfaces 118 are oriented at relief angles C relative to the plane 134. In the illustrated embodiment, the relief angle C of each cutting tooth 50 is approximately 23 degrees. In other embodiments, the relief angles C may be larger or smaller. Each relief surface 118 has a relief length M measured from the first end 122 (e.g., the tip 106) to the second end 126 (e.g., a beginning of the protrusion 130). In the illustrated embodiment, the relief length M of each cutting tooth 50 is approximately 0.1 inches. In other embodiments, the relief length M may be larger or smaller.

[0051] The relief surface 118 of each cutting tooth 50 is interrupted by the protrusion 130 extending from the second end 126 of the relief surface 118. In some embodiments, the protrusion 130 at the cutting tooth 50 nearest the plunge point 54 may be omitted. The protrusion 130 of each tooth 50 is defined by a first protrusion radius r_4 that transitions from the relief surface 118, a first protrusion face 146 that extends from the first protrusion radius r_4 , an apex 150 that extends from the first protrusion face 146 and has a second protrusion radius r_5 , and a second protrusion face 154 extending from the apex 150 to the gullet surface 138. In the illustrated embodiment, the apex 150 of each protrusion 130 is curved such that the protrusions

WO 2011/133864

PCT/US2011/033583

130 are generally rounded. In other embodiments, the protrusions 130 may have other shapes or forms. The second protrusion face 154 is disposed at an internal protrusion angle D relative to the first protrusion face 146 and is disposed at a rear protrusion angle E relative to the plane 134. In the illustrated embodiment, the first protrusion radius r_4 is approximately 0.012 inches, the second protrusion radius r_5 is approximately 0.010 inches, the internal protrusion angle D is approximately 70 degrees, and the rear protrusion angle E is approximately 80 degrees.

[0052] With continued reference to Fig. 3, the protrusion 130 of each cutting tooth 50 is spaced a first distance N, measured generally parallel to the longitudinal axis 94, from the tip 106 of the corresponding cutting tooth 50. The protrusion 130 of each cutting tooth 50 is spaced a second distance O, measured generally parallel to the longitudinal axis 94, from the tip 106 of an adjacent cutting tooth 50. The second distance O also represents a width of the gullet 114. In some embodiments, a ratio between the first distance N and the second distance O is approximately 1.5. In the illustrated embodiment, the first distance N is approximately 0.12 inches and the second distance O is approximately 0.08 inches.

[0053] The apex 150 of the protrusion 130 is spaced a distance Q, measured generally perpendicular to the longitudinal axis 94, from the base 142 of the gullet 114. In some embodiments, a ratio between the distance Q from the base 142 of the gullet 114 to the apex 150 of the protrusion 130 and the distance L from the base 142 of the gullet 114 to the tip 106 of the cutting tooth 50 is approximately 0.68. In the illustrated embodiment, the distance Q is approximately 0.068 inches.

[0054] The protrusions 130 of the cutting teeth 50 define a plane 158 that is generally parallel to the longitudinal axis 94 and to the plane 134 defined by the tips 106 of the cutting teeth 50. In some embodiments, a distance R between the plane 134 defined by the tips 106 and the plane 158 defined by the protrusions 130 is at most approximately 0.035 inches. In the illustrated embodiment, the distance R is approximately 0.032 inches. Such an arrangement helps inhibit nails from entering the gullets 114 of the cutting teeth 50 during cutting operations, as further discussed below.

[0055] Each cutting tooth 50 also defines an effective relief surface 162 that extends from the tip 106 of the cutting tooth 50 and is tangent to the adjacent/respective protrusion 130. Each

effective relief surface 162 intersects the plane 134 defined by the tips 106 at an effective relief angle F. In the illustrated embodiment, the effective relief angle F is approximately 14.5 degrees. The effective relief angle F is between the tang angle A and the relief angle C. That is, the effective relief angle F of each cutting tooth 50 is generally greater than the tang angle A (e.g., 6.5 degrees), but generally smaller than the relief angle C (e.g., 23 degrees). In some embodiments, a ratio between the relief angle C and the effective relief angle F of each cutting tooth 50 is approximately 1.6.

[0056] The effective relief surfaces 162 of adjacent cutting teeth 50 are spaced apart from each other by a distance S. In some embodiments, the distance S between effective relief surfaces 162 is at most approximately 0.06 inches. In the illustrated embodiment, the distance S is approximately 0.05 inches. Such an arrangement also helps inhibit nails from entering the gullets 114 of the cutting teeth 50 during cutting operations, as further discussed below. In some embodiments, a ratio between the effective relief angle F, in degrees, of each cutting tooth 50 and the distance S, in inches, between effective relief surfaces 162 is approximately 290. Furthermore, in some embodiments, a ratio between the distance O from the protrusion 130 of one cutting tooth 50 to the tip 106 of an adjacent cutting tooth 50 and the distance S between effective relief surfaces 162 of adjacent cutting teeth 50 is approximately 1.6.

[0057] Referring to Fig. 4, the protrusions 130 of the cutting teeth 50 inhibit nails 166, or other hard objects, imbedded in a work piece 170 from entering the gullets 114 and contacting the rake faces 110 of the teeth 50 during cutting operations. As the saw blade 30 moves in the cutting direction 58 (to the left in Fig. 4), the tips 106 of the cutting teeth 50 engage and cut through the work piece 170. The protrusions 130 are hidden behind the tips 106 of adjacent teeth 50 such that the protrusions 130 do not cut the work piece 170 during the cutting operation.

[0058] When the saw blade 30 encounters the nail 166, the rake faces 110 of the cutting teeth 50 typically would contact the nail 166. Such contact may chip, break, or otherwise damage the cutting teeth 50, significantly reducing the usable life of the saw blade 30. However, as shown in Fig. 4, the protrusions 130 inhibit the nail 166 from impacting the rake faces 110. Instead, as the saw blade 30 moves in the cutting direction 58, the nail 166 contacts one of the protrusions 130 before contacting the adjacent rake face 110. The protrusion 130 displaces (e.g., lifts) the saw

WO 2011/133864

PCT/US2011/033583

blade 30, which repositions the nail 166 with respect to the gullet 114 in an improved cutting position. In the improved cutting position, the protrusion 130 inhibits the nail 166 from entering the gullet 114 and the tip 106 is allowed to cut into the nail 166. When the saw blade 30 is reciprocated in the return direction 62 (to the right in Fig. 4), the nail 166 can ride along the corresponding relief surface 118 and over the tip 106.

[0059] In the illustrated embodiment, the protrusions 130 of the cutting teeth 50 are designed to inhibit a standard framing nail having a 0.131 inch diameter from entering the gullets 114. In other embodiments, the protrusions 130 may be optimized to inhibit other size nails from entering the gullets 114. The distance R between the plane 134 defined by the tips 106 and the plane 158 defined by the protrusions 130 and the distance S between effective relief surfaces 162 of adjacent cutting teeth 50 are optimized to increase durability of the cutting teeth 50 by offsetting a center of the framing nail approximately 0.031 inches below the plane 134. That is, the protrusions 130 are sized and positioned to prevent approximately 80% of the nail from entering the area above the plane 134. Such a configuration results in an increase in durability compared to a similar saw blade without protrusions on the cutting teeth. As used herein, the term 'durability' refers to the average number of cuts a saw blade makes before fracturing a cutting tooth.

[0060] Referring back to Fig. 3, the plunge point 54 is formed on the second end portion 70 of the body 38 opposite the attachment portion 42. The illustrated plunge point 54 includes a leading tooth 174 and a second tooth 178. The leading tooth 174 includes a tip 182, a rake face 186 extending from the tip 182 generally toward the longitudinal axis 94 and at least partially defining a leading gullet 190, and a relief surface 194 extending from the tip 182 to an end 198 of the body 38. In the illustrated embodiment, the end 198 of the body 38 is generally rounded. In other embodiments, the end 198 of the body 38 may be, for example, a sharp point or a flat edge. A top edge 202 extends from the end 198 to the back portion 74 of the body 38. The top edge 202 is oriented at an angle G relative to the back portion 74 (c.g., relative to the fourth stepped surface 90). In the some embodiments, the angle G may be approximately 5 to 50 degrees. In the illustrated embodiment, the angle G is approximately 40 degrees.

WO 2011/133864

PCT/US2011/033583

[0061] The tip 182 of the leading tooth 174 extends to the plane 134 defined by the tips 106 of the cutting teeth 50 to help define the plane 134. The rake face 186 extends from the tip 182 at a leading rake angle H relative to the plane 134. The leading rake angle H, measured through the leading tooth 174, is a negative rake angle (i.e., greater than 90 degrees) such that the leading tooth 174 is a negative rake tooth. A negative rake tooth is less likely to hook or grab material being cut, allowing the plunge point 54 to more easily penetrate a work piece without chipping the work piece. In the illustrated embodiment, the leading rake angle H is approximately 95 to 105 degrees. In other embodiments, the leading rake angle H may be larger or smaller, or the rake face 186 may extend at a positive rake angle relative to the plane 134.

[0062] The relief surface 194 of the leading tooth 174 extends from the tip 182 at a leading relief angle I relative to the plane 134. In some embodiments, the leading relief angle I is less than 90 degrees. In other embodiments, the leading relief angle I is greater than 45 degrees. In the illustrated embodiment, the leading relief angle I is approximately 55 to 65 degrees.

[0063] The leading gullet 190 is defined by the rake face 186 of the leading tooth 174 and extends to the nearest, or first, cutting tooth 50. As shown in Fig. 3, the leading gullet 190 is significantly larger than the gullets 114 of the cutting teeth 50 and has a leading gullet width T. In some embodiments, the leading gullet 174 is at least twice as large as each gullet 114. In the illustrated embodiment, the leading gullet 174 is approximately four times larger than each gullet 114. As such, the leading tooth 174 is spaced further apart from the nearest cutting tooth 50 than the cutting teeth 50 are spaced apart from each other. In the illustrated embodiment, a ratio between a distance U from the tip 182 of the leading tooth 174 to the tip 106 of the nearest cutting tooth 50, measured generally parallel to the longitudinal axis 94, and the distance P between the tips 106 of adjacent cutting teeth 50 (i.e., the tooth pitch) is approximately 2.0. The enlarged leading gullet 190 improves plunge cut performance by allowing the leading tooth 174 to penetrate further into a work piece before the plurality of cutting teeth 50 engage the work piece, thereby improving cut quality and finish. The enlarged leading gullet 190 also improves cut speed by allowing for greater chip removal.

[0064] The illustrated second tooth 178 is generally V-shaped and includes a tip 206, a rake face 210 extending from the tip 206 generally toward the longitudinal axis 94, and a relief

surface 214 extending from the tip 206 generally toward the leading tooth 174. Similar to the leading tooth 174, the rake face 210 of the second tooth 178 extends at a negative rake angle J (i.e., at an angle greater than 90 degrees) relative to the plane 134. In the illustrated embodiment, the rake angle J , measured through the second tooth, is approximately 95 to 105 degrees. In other embodiments, the rake angle J may be larger or smaller, or the rake face 210 may extend at a positive rake angle relative to the plane 134.

[0065] The second tooth 178 is positioned within the leading gullet 190 adjacent the leading tooth 174 such that the second tooth 178 is closer to the leading tooth 174 than to the nearest cutting tooth 50. In the illustrated embodiment, the tip 206 of the second tooth 178 is spaced a distance V , measured generally parallel to the longitudinal axis 94, from the tip 182 of the leading tooth 174. A ratio between the distance V from the tip 182 of the leading tooth 174 to the tip 206 of the second tooth 178 and the distance P between the tips 106 of adjacent cutting teeth 50 (i.e., the tooth pitch) is approximately 0.3. In addition, a ratio between the distance U from the tip 182 of the leading tooth 174 to the tip 106 of the nearest cutting tooth 50 and the distance V from the tip 182 of the leading tooth 174 to the tip 206 of the second tooth 178 is approximately 6.6. In other embodiments, these ratios may be relatively larger or smaller.

[0066] The illustrated second tooth 178 is generally smaller than the leading tooth 174 and each of the cutting teeth 50. As shown in Fig. 3, the second tooth 178 extends from the leading gullet 190 and is spaced apart from the plane 134 defined by the tips 106 of the cutting teeth 50. In other words, the plane 134 does not intersect or extend through any portion of the second tooth 178. In the illustrated embodiment, the second tooth 178 extends less than halfway from the body 38 to the plane 134. In other embodiments, the second tooth 178 may extend to a position nearer the plane 134 such as, for example, three-quarters the distance to the plane 134.

[0067] In addition, the second tooth 178 has an utmost width W that is less than an utmost width X of the leading tooth 174 and an utmost width Y of each cutting tooth 50. As used herein, the term 'utmost width' refers to a measurement of a tooth that is taken generally parallel to the longitudinal axis 94 at the tooth's greatest or maximum dimension. In the illustrated embodiment, the utmost width X of the leading tooth 174 is also less than the utmost width Y of

WO 2011/133864

PCT/US2011/033583

each cutting tooth 50. In other embodiments, the utmost width X of the leading tooth 174 may be the same or similar to the utmost width Y of each cutting tooth 50.

[0068] The second tooth 178 improves plunge cut performance by breaking up chip material, thereby reducing the load on the leading tooth 174 and facilitating chip removal. Such an arrangement also increases cutting speed and saw blade life. In the illustrated embodiment, the plunge point 54 includes a single second tooth 178 positioned within the leading gullet 190. In other embodiments, the plunge point 54 may include multiple second teeth positioned within the leading gullet 190. In such embodiments, one or more of the second teeth may be set. Additionally or alternatively, the second teeth may have different geometries and/or sizes. In still other embodiments, the second tooth 178 may be omitted from the plunge point 54.

[0069] Figs. 5-6 illustrate a reciprocating saw blade 230 according to another embodiment of the invention. The illustrated saw blade 230 is similar to the saw blade 30 described above with reference to Figs. 1-4, and similar parts have been given the same reference numbers, plus 200.

[0070] The illustrated saw blade 230 includes a body 238, an attachment portion 242 for coupling the blade 230 to a reciprocating saw, a cutting portion 246 having a plurality of cutting teeth 250, and a plunge point 254 for initiating a plunge cut. Each of the cutting teeth 250 includes a protrusion 330 that inhibits a nail from entering a gullet 314 and contacting a rake face 310 of an adjacent cutting tooth 250. In the illustrated embodiment, a back portion 274 of the body 238 is formed with three stepped surfaces 278, 282, 286, rather than the four stepped surfaces 78, 82, 86, 90 shown in Figs. 1-2.

[0071] Fig. 7 illustrates a cutting portion 446 of a saw blade 430 according to another embodiment of the invention. The illustrated saw blade 430 is similar to the saw blade 30 described above with reference to Figs. 1-4, and similar parts have been given the same reference numbers plus 400.

[0072] The cutting portion 446 includes a plurality of cutting teeth 450. Each cutting tooth 450 includes a protrusion 530 that inhibits a nail from entering a gullet 514 and contacting a rake face 510 of an adjacent cutting tooth 450. Similar to the gullets 114 and the protrusions 130 discussed above with reference to Figs. 1-4, each of the gullets 514 is defined by three gullet

WO 2011/133864

PCT/US2011/033583

radii r_1 , r_2 , r_3 and each of the protrusions 130 is defined by two protrusion radii r_4 , r_5 . In the illustrated embodiment, the first gullet radius r_1 is approximately 0.021 inches, the second gullet radius r_2 is approximately 0.035 inches, the third gullet radius r_3 is approximately 0.040, the first protrusion radius r_4 is approximately 0.012 inches, and the second protrusion radius r_5 is approximately 0.010 inches.

[0073] In addition, each cutting tooth 450 includes a relief surface 518 extending from a tip 506 of the tooth 450. The relief surfaces 518 are oriented at a relief angle C relative to a plane 534 defined by the tips 506 of the cutting teeth 450. In the illustrated embodiment, the relief angle C of each cutting tooth 450 is approximately 26 degrees.

[0074] Figs. 8-9 illustrate a reciprocating saw blade 630 according to another embodiment of the invention. The illustrated saw blade 630 is similar to the saw blade 30 described above with reference to Figs. 1-4, and similar parts have been given the same reference numbers, plus 600.

[0075] The illustrated saw blade 630 includes a body 638, an attachment portion 642 for coupling the blade 630 to a reciprocating saw, a cutting portion 646 having a plurality of cutting teeth 650, and a plunge point 654 for initiating a plunge cut. Each of the cutting teeth 650 includes a tip 706, a rake face 710 at least partially defining a gullet 714, a relief surface 718, and a protrusion 730. The protrusions 730 inhibit nails from entering the gullets 714 and contacting the rake faces 710 of adjacent cutting teeth 650. Each rake face 710 extends from the tip 706 at a rake angle B relative to a plane 734 defined by the tips 706. In the illustrated embodiment, the rake angle B of each cutting tooth 650 is approximately 82 degrees. Each relief surface 718 also extends from the tip 706 at a relief angle C relative to the plane 734. In the illustrated embodiment, the relief angle C of each cutting tooth 650 is approximately 20 degrees.

[0076] Figs. 10-11 illustrate a reciprocating saw blade 830 according to another embodiment of the invention. The illustrated saw blade 830 is similar to the saw blade 30 described above with reference to Figs. 1-4, and similar parts have been given the same reference numbers, plus 800.

[0077] The illustrated saw blade 830 includes a body 838, an attachment portion 842 for coupling the blade 830 to a reciprocating saw, a cutting portion 846 having a plurality of cutting

teeth 850, and a plunge point 854 for initiating a plunge cut. Each of the cutting teeth 850 includes a protrusion 930 that inhibits a nail from entering a gullet 914 and contacting a rake face 910 of an adjacent cutting tooth 850. Similar to the gullets 914 discussed above with reference to Figs. 1-4, each of the gullets 914 is defined by three gullet radii r_1 , r_2 , r_3 . In the illustrated embodiment, the first gullet radius r_1 is approximately 0.025 inches, the second gullet radius r_2 is approximately 0.035 inches, and the third gullet radius r_3 is approximately 0.040 inches.

[0078] Each of the illustrated protrusions 930 is defined by a first protrusion radius r_4 , a second protrusion radius r_5 , and a first intermediate surface 1018 extending between the radii r_4 , r_5 . The first intermediate surface 1018 is a generally planar surface. In the illustrated embodiment, the first protrusion radius r_4 is approximately 0.010 inches, the second protrusion radius r_5 is approximately 0.010 inches, and the length of the first intermediate surface 1018 is approximately 0.005 inches. Each of the protrusions 930 is also defined by a first protrusion face 946 that extends from the second protrusion radius r_5 , an apex 950 that extends from the first protrusion face 946, and a second protrusion face 954 that extends from the apex 950 and defines the gullet 914. The apex 950 is further defined by a third protrusion radius r_6 , a fourth protrusion radius r_7 , and a second intermediate surface 1022 extending between the radii r_6 , r_7 . The second intermediate surface 1022 is a generally planar surface. In the illustrated embodiment, the third protrusion radius r_6 is approximately 0.010 inches, the fourth protrusion radius r_7 is approximately 0.010 inches, and the length of the second intermediate surface 1022 is approximately 0.005 inches.

[0079] Figs. 12-13 illustrate a reciprocating saw blade 1030 according to another embodiment of the invention. The illustrated saw blade 1030 is similar to the saw blade 30 described above with reference to Figs. 1-4, and similar parts have been given the same reference numbers, plus 1000.

[0080] The illustrated saw blade 1030 includes a body 1038, an attachment portion 1042 for coupling the blade 1030 to a reciprocating saw, a cutting portion 1046 having a plurality of cutting teeth 1050, and a plunge point 1054 for initiating a plunge cut. Each of the cutting teeth 1050 includes a protrusion 1130 that inhibits a nail from entering a gullet 1114 and contacting a rake face 1110 of an adjacent cutting tooth 1050. Similar to the gullets 1114 discussed above

WO 2011/133864

PCT/US2011/033583

with reference to Figs. 1-4, each of the gullets 1114 is defined by three gullet radii r_1 , r_2 , r_3 . In the illustrated embodiment, the first gullet radius r_1 is approximately 0.030 inches, the second gullet radius r_2 is approximately 0.035 inches, and the third gullet radius r_3 is approximately 0.040 inches.

[0081] Each of the illustrated protrusions 1130 is defined by a first protrusion face 1146 extending from a relief surface 1118, an apex 1150, and a second protrusion face 1154 that extends from the apex 1150 and defines the gullet 1114. In the illustrated embodiment, the apex 1150 is a pointed tip such that each protrusion 1130 is generally pointed, rather than rounded. The apexes 1150 define a plane 1158 that is spaced apart a distance R from a plane 1134 defined by tips 1106 of the cutting teeth 1050. In the illustrated embodiment, the distance R is approximately 0.034 inches. Furthermore, each apex 1150 is spaced apart a distance O from the tip 1106 of an adjacent cutting tooth 1050. In the illustrated embodiment, the distance O is approximately 0.07 inches. In such embodiments, a ratio between a distance N from the protrusion 1130 to the tip 1106 of one cutting tooth 1050 and the distance O is approximately 1.9. In other embodiments, the distances R , O may be relatively larger or smaller, such as, for example, 0.032 inches and 0.08 inches, respectively.

[0082] Figs. 14-15 illustrate a reciprocating saw blade 1230 according to another embodiment of the invention. The illustrated saw blade 1230 is similar to the saw blade 30 described above with reference to Figs. 1-4, and similar parts have been given the same reference numbers, plus 1200.

[0083] The illustrated saw blade 1230 includes a body 1238, an attachment portion 1242 for coupling the blade 1230 to a reciprocating saw, a cutting portion 1246 having a plurality of cutting teeth 1250, and a plunge point 1254 for initiating a plunge cut. In the illustrated embodiment, the plunge point 1254 includes a leading tooth 1374, but not a second tooth. The leading tooth 1374 includes a tip 1382, a rake face 1386 extending from the tip 1382 and at least partially defining a leading gullet 1390, and a relief surface 1394 extending from the tip 1382 to an end 1398 of the body 1238. The rake face 1386 extends from the tip 1382 at a leading rake angle H relative to a plane 1334 defined by tips 1306 of the cutting teeth 1250. The leading rake angle H , measured through the leading tooth 1374, is a negative rake angle such that the leading

tooth 1374 is a negative rake tooth. In the illustrated embodiment, the leading rake angle H is approximately 95 to 105 degrees.

[0084] As shown in Fig. 15, the tip 1382 of the leading tooth 1374 is spaced a distance U from the tip 1306 of the nearest cutting tooth 1250. In the illustrated embodiment, the distance U is generally the same as a distance P (i.e., the pitch) between the tips 1306 of adjacent cutting teeth 1250. As such, the leading gullet 1390 is generally the same size as gullets 1314 defined by the plurality of cutting teeth 1250.

[0085] Although not shown, in some embodiments, each of the cutting teeth 1250 may include a protrusion that inhibits a nail from entering the gullet 1314 and contacting a rake face 1310 of an adjacent cutting tooth 1250.

[0086] Figs. 16-17 illustrate a reciprocating saw blade 1430 according to another embodiment of the invention. The illustrated saw blade 1430 is similar to the saw blade 30 described above with reference to Figs. 1-4, and similar parts have been given the same reference numbers, plus 1400.

[0087] The illustrated saw blade 1430 includes a body 1438, an attachment portion 1442 for coupling the blade 1430 to a reciprocating saw, a cutting portion 1446 having a plurality of cutting teeth 1450, and a plunge point 1454 for initiating a plunge cut. In the illustrated embodiment, the plunge point 1454 includes a leading tooth 1574, but not a second tooth. The leading tooth 1574 includes a tip 1582, a rake face 1586 extending from the tip 1582 and at least partially defining a leading gullet 1590, and a relief surface 1594 extending from the tip 1582 to an end 1598 of the body 1438. The rake face 1586 extends from the tip 1582 at a leading rake angle H relative to a plane 1534 defined by tips 1506 of the cutting teeth 1450. The leading rake angle H, measured through the leading tooth 1574, is a positive rake angle such that the leading tooth 1574 is a positive rake tooth having substantially the same rake angle as each of the cutting teeth 1450. In the illustrated embodiment, the leading rake angle H is approximately 80 to 88 degrees.

WO 2011/133864

PCT/US2011/033583

[0088] The relief surface 1594 of the leading tooth 1574 extends from the tip 1582 at a leading relief angle I relative to the plane 1534. In the illustrated embodiment, the leading relief angle I is approximately 25 to 45 degrees.

[0089] As shown in Fig. 17, the tip 1582 of the leading tooth 1574 is spaced a distance U from the tip 1506 of the nearest cutting tooth 1450. The distance U is generally greater than a distance P (i.e., the pitch) between the tips 1506 of adjacent cutting teeth 1450. In the illustrated embodiment, the distance U is approximately twice the distance P. As such, the leading gullet 1590 is substantially larger than each gullet 1514 of the cutting teeth 1450.

[0090] Although not shown, in some embodiments, each of the cutting teeth 1450 may include a protrusion that inhibits a nail from entering the gullet 1514 and contacting a rake face 1510 of an adjacent cutting tooth 1450.

[0091] Figs. 18-19 illustrate a reciprocating saw blade 1630 according to another embodiment of the invention. The illustrated saw blade 1630 is similar to the saw blade 30 described above with reference to Figs. 1-4, and similar parts have been given the same reference numbers, plus 1600.

[0092] The illustrated saw blade 1630 includes a body 1638, an attachment portion 1642 for coupling the blade 1630 to a reciprocating saw, a cutting portion 1646 having a plurality of cutting teeth 1650, and a plunge point 1654 for initiating a plunge cut. In the illustrated embodiment, the plunge point 1654 includes a leading tooth 1774, but not a second tooth. The leading tooth 1774 includes a tip 1782, a rake face 1786 extending from the tip 1782 and at least partially defining a leading gullet 1790, and a relief surface 1794 extending from the tip 1782 to an end 1798 of the body 1638. The rake face 1786 extends from the tip 1782 at a leading rake angle H relative to a plane 1734 defined by tips 1706 of the cutting teeth 1650. The leading rake angle H, measured through the leading tooth 1774, is a positive rake angle such that the leading tooth 1774 is a positive rake tooth having substantially the same rake angle as each of the cutting teeth 1650. In the illustrated embodiment, the leading rake angle H is approximately 80 to 88 degrees.

WO 2011/133864

PCT/US2011/033583

[0093] The relief surface 1794 of the leading tooth 1774 extends from the tip 1782 at a leading relief angle I relative to the plane 1734. In the illustrated embodiment, the leading relief angle I is approximately 25 to 45 degrees.

[0094] As shown in Fig. 19, the plunge point 1654 also includes a top edge 1802 extending from the end 1798 of the body 1638 to a back portion 1774 of the body 1638. The illustrated top edge 1802 is an elongated edge that is oriented at an angle G relative to the back portion 1774 such that the plunge point 1654 is a tapered plunge point. In some embodiments, the angle G is less than 15 degrees. In the illustrated embodiment, the angle G is approximately 8 degrees. The tapered plunge point 1654 improves plunge cut performance by reducing the clearance required for the saw blade 1630 to enter a work piece, thereby increasing cutting speed and improving cut accuracy and finish.

[0095] Although not shown, in some embodiments, each of the cutting teeth 1650 may include a protrusion that inhibits a nail from entering a gullet 1714 and contacting a rake face 1710 of an adjacent cutting tooth 1650.

[0096] Figs. 20-21 illustrate a reciprocating saw blade 1830 according to another embodiment of the invention. The illustrated saw blade 1830 is similar to the saw blade 30 described above with reference to Figs. 1-4, and similar parts have been given the same reference numbers, plus 1800.

[0097] The illustrated saw blade 1830 includes a body 1838, an attachment portion 1842 for coupling the blade 1830 to a reciprocating saw, a cutting portion 1846 having a plurality of cutting teeth 1850, and a plunge point 1854 for initiating a plunge cut. In the illustrated embodiment, the plunge point 1854 includes a leading tooth 1974, but not a second tooth. The leading tooth 1974 includes a tip 1982, a rake face 1986 extending from the tip 1982 and at least partially defining a leading gullet 1990, and a relief surface 1994 extending from the tip 1982 to an end 1998 of the body 1838. The rake face 1986 extends from the tip 1982 at a leading rake angle H relative to a plane 1934 defined by tips 1906 of the cutting teeth 1850. The leading rake angle H, measured through the leading tooth 1974, is a negative rake angle such that the leading tooth 1974 is a negative rake tooth. In the illustrated embodiment, the leading rake angle H is approximately 95 to 105 degrees.

WO 2011/133864

PCT/US2011/033583

[0098] As shown in Fig. 21, the tip 1982 of the leading tooth 1974 is spaced a distance U from the tip 1906 of the nearest cutting tooth 1850. The distance U is generally greater than a distance P (i.e., the pitch) between the tips 1906 of adjacent cutting teeth 1850. In the illustrated embodiment, the distance U is approximately twice the distance P. As such, the leading gullet 1990 is substantially larger than each gullet 1914 of the cutting teeth 1850.

[0099] Although not shown, in some embodiments, each of the cutting teeth 1850 may include a protrusion that inhibits a nail from entering the gullet 1914 and contacting a rake face 1910 of an adjacent cutting tooth 1850.

[0100] Figs. 22-23 illustrate a reciprocating saw blade 2030 according to another embodiment of the invention. The illustrated saw blade 2030 is similar to the saw blade 30 described above with reference to Figs. 1-4, and similar parts have been given the same reference numbers, plus 2000.

[0101] The illustrated saw blade 2030 includes a body 2038, an attachment portion 2042 for coupling the blade 2030 to a reciprocating saw, a cutting portion 2046 having a plurality of cutting teeth 2050, and a plunge point 2054 for initiating a plunge cut. In the illustrated embodiment, the plunge point 2054 includes a leading tooth 2174, but not a second tooth. The leading tooth 2174 includes a tip 2182, a rake face 2186 extending from the tip 2182 and at least partially defining a leading gullet 2190, and a relief surface 2194 extending from the tip 2182 to an end 2198 of the body 2038. The rake face 2186 extends from the tip 2182 at a leading rake angle H relative to a plane 2134 defined by tips 2106 of the cutting teeth 2050. The leading rake angle H, measured through the leading tooth 2174, is a negative rake angle such that the leading tooth 2174 is a negative rake tooth. In the illustrated embodiment, the leading rake angle H is approximately 95 to 105 degrees.

[0102] As shown in Fig. 23, the tip 2182 of the leading tooth 2174 is spaced a distance U from the tip 2106 of the nearest cutting tooth 2050. The distance U is generally greater than a distance P (i.e., the pitch) between the tips 2106 of adjacent cutting teeth 2050. In the illustrated embodiment, the distance U is approximately twice the distance P. As such, the leading gullet 2190 is substantially larger than each gullet 2114 of the cutting teeth 2050.

[0103] The plunge point 2054 also includes a top edge 2202 extending from the end 2198 of the body 2038 to a back portion 2074 of the body 2038. The illustrated top edge 2202 is an elongated edge that is oriented at an angle G relative to the back portion 2074 such that the plunge point 2054 is a tapered plunge point. In some embodiments, the angle G is less than 15 degrees. In the illustrated embodiment, the angle G is approximately 8 degrees.

[0104] Although not shown, in some embodiments, each of the cutting teeth 2050 may include a protrusion that inhibits a nail from entering the gullet 2114 and contacting a rake face 2110 of an adjacent cutting tooth 2050.

[0105] Figs. 24-25 illustrate a reciprocating saw blade 2230 according to another embodiment of the invention. The illustrated saw blade 2230 is similar to the saw blade 30 described above with reference to Figs. 1-4, and similar parts have been given the same reference numbers, plus 2200.

[0106] The illustrated saw blade 2230 includes a body 2238, an attachment portion 2242 for coupling the blade 2230 to a reciprocating saw, a cutting portion 2246 having a plurality of cutting teeth 2250, and a plunge point 2254 for initiating a plunge cut. In the illustrated embodiment, the plunge point 2254 includes a leading tooth 2374, but not a second tooth. The leading tooth 2374 includes a tip 2382, a rake face 2386 extending from the tip 2382 and at least partially defining a leading gullet 2390, and a relief surface 2394 extending from the tip 2382 to an end 2398 of the body 2238. The rake face 2386 extends from the tip 2382 at a leading rake angle H relative to a plane 2334 defined by tips 2306 of the cutting teeth 2250. The leading rake angle H, measured through the leading tooth 2374, is a negative rake angle such that the leading tooth 2374 is a negative rake tooth. In the illustrated embodiment, the leading rake angle H is approximately 95 to 105 degrees.

[0107] As shown in Fig. 25, the tip 2382 of the leading tooth 2374 is spaced a distance U from the tip 2306 of the nearest cutting tooth 2050. In the illustrated embodiment, the distance U is generally the same as a distance P (i.e., the pitch) between the tips 2306 of adjacent cutting teeth 2050. As such, the leading gullet 2390 is generally the same size as gullets 2314 defined by the plurality of cutting teeth 2050.

WO 2011/133864

PCT/US2011/033583

[0108] The plunge point 2254 also includes a top edge 2402 extending from the end 2398 of the body 2238 to a back portion 2274 of the body 2238. The illustrated top edge 2402 is an elongated edge that is oriented at an angle G relative to the back portion 2274 such that the plunge point 2254 is a tapered plunge point. In some embodiments, the angle G is less than 15 degrees. In the illustrated embodiment, the angle G is approximately 8 degrees.

[0109] Although not shown, in some embodiments, each of the cutting teeth 2250 may include a protrusion that inhibits a nail from entering the gullet 2314 and contacting a rake face 2310 of an adjacent cutting tooth 2050.

[0110] Figs. 26-27 illustrate a reciprocating saw blade 2430 according to another embodiment of the invention. The illustrated saw blade 2430 is similar to the saw blade 30 described above with reference to Figs. 1-4, and similar parts have been given the same reference numbers, plus 2400.

[0111] The illustrated saw blade 2430 includes a body 2438, an attachment portion 2442 for coupling the blade 2430 to a reciprocating saw, a cutting portion 2446 having a plurality of cutting teeth 2450, and a plunge point 2454 for initiating a plunge cut. The plunge point 2454 is similar to the plunge point 54 shown in Figs. 1-4 and includes a leading tooth 2574, a second tooth 2578, and an enlarged leading gullet 2590. However, in the illustrated embodiment, each cutting tooth 2450 does not include a protrusion.

[0112] Although particular embodiments embodying independent aspects of the present invention have been shown and described, other alternative embodiments will become apparent to those skilled in the art and are within the intended scope of the independent aspects of the invention. For example, although the above saw blade tooth forms have been described with reference to saw blades for use with reciprocating saws that alternately move the saw blades in cutting directions and return directions, the tooth forms may be used on other types of saw blades having a linear edge, including band saw blades, hole saws, and jig saw blades. In addition, the tooth forms may additionally be used on saw blades having a curved edge, including circular saw blades.

[0113] Various features and advantages of the invention are set forth in the following claims.

The embodiments of the invention in which an exclusive property or privilege is claimed are defined as follows:

1. A reciprocating saw blade for use with a reciprocating saw, the reciprocating saw blade configured to cut a work piece having a nail extending therethrough, the reciprocating saw blade comprising:

a body defining a longitudinal axis;

an attachment portion coupled to the body, the attachment portion including a tang and an aperture configured to couple to the reciprocating saw; and

a cutting portion formed on the body, the cutting portion including a plurality of cutting teeth, each cutting tooth including a tip, a rake face extending from the tip generally toward the longitudinal axis and at least partially defining a gullet, a relief surface extending from the tip and having a first end that is closer to the attachment portion and a second end that is further from the attachment portion, and a protrusion extending from the second end of the relief surface, the protrusion of each cutting tooth inhibiting the nail from entering the gullet and contacting the rake face of an adjacent cutting tooth during cutting operations;

wherein the tips of the plurality of cutting teeth define a first plane that is generally parallel to the longitudinal axis and the protrusions of the plurality of cutting teeth define a second plane that is generally parallel to the longitudinal axis, and wherein a distance between the first plane and the second plane is at most 0.035 inches; and

wherein a distance between the protrusion of one cutting tooth and the tip of an adjacent cutting tooth, measured generally parallel to the longitudinal axis, is 0.08 inches.

2. The reciprocating saw blade of claim 1, wherein the protrusions of the plurality of cutting teeth do not cut the work piece during cutting operations.

3. The reciprocating saw blade of claim 1 or 2, wherein the protrusion of each cutting tooth is generally rounded.

4. The reciprocating saw of any one of claims 1 to 3, wherein the gullet of each cutting tooth includes a base, and wherein a ratio between a distance from the base of the

gullet to an apex of the protrusion, measured generally perpendicular to the longitudinal axis, and a distance from the base of the gullet to the tip, measured generally perpendicular to the longitudinal axis, of each cutting tooth is approximately 0.68.

5. The reciprocating saw of any one of claims 1 to 4, wherein a ratio between a distance from the protrusion to the tip of the one cutting tooth, measured generally parallel to the longitudinal axis, and a distance from the protrusion of the one cutting tooth and the tip of an adjacent cutting tooth, measured generally parallel to the longitudinal axis, is approximately 1.5.
6. The reciprocating saw blade of any one of claims 1 to 5, further comprising a plunge point formed on the body opposite the attachment portion for initiating a plunge cut.
7. The reciprocating saw blade of claim 6, wherein the plunge point includes a leading tooth having a tip and defining a leading gullet between the leading tooth and the plurality of cutting teeth, and wherein the leading gullet is larger than the gullets of the plurality of cutting teeth.
8. The reciprocating saw blade of claim 7, wherein the plunge point further includes a second tooth positioned in the leading gullet adjacent the leading tooth, wherein the tips of the plurality of cutting teeth and the tip of the leading tooth define a plane that is generally parallel to the longitudinal axis, and wherein the second tooth is spaced apart from the plane.
9. A reciprocating saw blade for use with a reciprocating saw, the reciprocating saw blade comprising:
 - a body defining a longitudinal axis;
 - an attachment portion coupled to the body, the attachment portion including a tang and an aperture configured to couple to the reciprocating saw; and

a cutting portion formed on the body, the cutting portion including a plurality of cutting teeth, each cutting tooth including a tip, a relief surface extending from the tip, and a protrusion extending from an end of the relief surface opposite the tip;

wherein the tips of the plurality of cutting teeth define a first plane that is generally parallel to the longitudinal axis and the protrusions of the plurality of cutting teeth define a second plane that is generally parallel to the longitudinal axis, and wherein a distance between the first plane and the second plane is at most approximately 0.035 inches;

wherein a distance between the protrusion of one cutting tooth and the tip of an adjacent cutting tooth, measured generally parallel to the longitudinal axis, is approximately 0.08 inches.

10. The reciprocating saw blade of claim 9, wherein the distance between the first plane and the second plane is approximately 0.032 inches.

11. The reciprocating saw blade of claim 9 or 10, wherein the reciprocating saw blade is configured to cut a work piece having a nail extending therethrough, wherein each cutting tooth includes a rake face extending from the tip generally toward the longitudinal axis and at least partially defining a gullet, and wherein the protrusion of each cutting tooth inhibits the nail from entering the gullet and contacting the rake face of an adjacent cutting tooth during cutting operations.

12. The reciprocating saw blade of any one of claims 9 to 10, wherein adjacent cutting teeth of the plurality of cutting teeth are separated by a pitch of approximately 0.2 inches.

13. The reciprocating saw blade of any one of claims 9 to 12, wherein the protrusion of each cutting tooth is generally rounded.

14. The reciprocating saw blade of any one of claims 9 to 13, wherein the relief surface of each cutting tooth includes a first end that is closer to the attachment portion and a second end that is further from the attachment portion, and wherein the tip of each

cutting tooth is formed at the first end of the relief surface and the protrusion of each cutting tooth extends from the second end of the relief surface.

15. A reciprocating saw blade for use with a reciprocating saw, the reciprocating saw blade comprising:

a body defining a longitudinal axis;

an attachment portion coupled to the body, the attachment portion including a tang and an aperture configured to couple to the reciprocating saw; and

a cutting portion formed on the body, the cutting portion including a plurality of cutting teeth, each cutting tooth including a tip, a relief surface extending from the tip, and a protrusion extending from an end of the relief surface opposite the tip, each cutting tooth defining an effective relief surface that extends from the tip and is tangent to the protrusion;

wherein the tips of the plurality of cutting teeth define a plane that is generally parallel to the longitudinal axis, and wherein the effective relief surface of each cutting tooth intersects the plane at an angle of approximately 14.5 degrees, and wherein a distance between effective relief surfaces of adjacent cutting teeth, measured perpendicular to the effective relief surfaces, is at most approximately 0.06 inches.

16. The reciprocating saw blade of claim 15, wherein the distance between effective relief surfaces of adjacent cutting teeth is approximately 0.05 inches.

17. The reciprocating saw blade of claim 15 or 16, wherein the reciprocating saw blade is configured to cut a work piece having a nail extending therethrough, wherein each cutting tooth includes a rake face extending from the tip generally toward the longitudinal axis and at least partially defining a gullet, and wherein the protrusion of each cutting tooth inhibits the nail from entering the gullet and contacting the rake face of an adjacent cutting tooth during cutting operations.

18. The reciprocating saw blade of any one of claims 15 to 17, wherein adjacent cutting teeth of the plurality of cutting teeth are separated by a pitch of approximately 0.2 inches.

19. The reciprocating saw blade of any one of claims 15 to 18, wherein the protrusion of each cutting tooth is generally rounded.

20. The reciprocating saw blade of any one of claims 15 to 19, wherein the relief surface of each cutting tooth includes a first end that is closer to the attachment portion and a second end that is further from the attachment portion, and wherein the tip of each cutting tooth is formed at the first end of the relief surface and the protrusion of each cutting tooth extends from the second end of the relief surface.

21. The reciprocating saw blade of claim 20, wherein the relief surface of each cutting tooth extends approximately 0.1 inches from the first end to the second end.

22. A reciprocating saw blade for use with a reciprocating saw, the reciprocating saw blade comprising:

a body defining a longitudinal axis;

an attachment portion coupled to the body, the attachment portion including a tang and an aperture configured to couple to the reciprocating saw, the attachment portion being angled relative to the longitudinal axis by a tang angle; and

a cutting portion formed on the body, the cutting portion including a plurality of cutting teeth, each cutting tooth including a tip, a relief surface extending from the tip, and a protrusion extending from an end of the relief surface opposite the tip, each cutting tooth defining an effective relief surface that extends from the tip and is tangent to the protrusion;

wherein the tips of the plurality of cutting teeth define a plane that is generally parallel to the longitudinal axis, wherein the relief surface of each cutting tooth intersects the plane at a relief angle and the effective relief surface of each cutting tooth intersects the plane at an effective relief angle, and wherein a value of the effective relief angle is between a value of the tang angle and a value of the relief angle.

23. The reciprocating saw blade of claim 22, wherein the tang angle is approximately 6.5 degrees and the relief angle of each cutting tooth is approximately 23 degrees.

24. The reciprocating saw blade of claim 23, wherein the effective relief angle of each cutting tooth is approximately 14.5 degrees.
25. The reciprocating saw blade of any one of claims 22 to 24, wherein a ratio between the relief angle and the effective relief angle of each cutting tooth is approximately 1.6.
26. The reciprocating saw blade of any one of claims 22 to 25, wherein a ratio between the effective relief angle, in degrees, of each cutting tooth and a distance, in inches, between effective relief surfaces of adjacent cutting teeth is approximately 290.
27. The reciprocating saw blade of any one of claims 22 to 26, wherein a ratio between a distance from the protrusion of one cutting tooth to the tip of an adjacent cutting tooth, measured generally parallel to the longitudinal axis, and a distance between effective relief surfaces of adjacent cutting teeth is approximately 1.6.
28. The reciprocating saw blade of any one of claims 22 to 27, wherein the reciprocating saw blade is configured to cut a work piece having a nail extending therethrough, wherein each cutting tooth includes a rake face extending from the tip generally toward the longitudinal axis and at least partially defining a gullet, and wherein the protrusion of each cutting tooth inhibits the nail from entering the gullet and contacting the rake face of an adjacent cutting tooth during cutting operations.
29. The reciprocating saw blade of any one of claims 22 to 28, wherein adjacent cutting teeth of the plurality of cutting teeth are separated by a pitch of approximately 0.2 inches.
30. The reciprocating saw blade of any one of claims 22 to 29, wherein the protrusion of each cutting tooth is generally rounded.

31. The reciprocating saw blade of any one of claims 22 to 30, wherein the relief surface of each cutting tooth includes a first end that is closer to the attachment portion and a second end that is further from the attachment portion, and wherein the tip of each cutting tooth is formed at the first end of the relief surface and the protrusion of each cutting tooth extends from the second end of the relief surface.

32. A reciprocating saw blade for use with a reciprocating saw, the reciprocating saw blade configured to cut a work piece having a nail extending therethrough, the reciprocating saw blade comprising:

a body defining a longitudinal axis;

an attachment portion coupled to the body, the attachment portion including a tang and an aperture configured to couple to the reciprocating saw, the attachment portion being angled relative to the longitudinal axis by a tang angle; and

a cutting portion formed on the body, the cutting portion including a plurality of cutting teeth, each cutting tooth including a tip, a rake face extending from the tip generally toward the longitudinal axis and at least partially defining a gullet, a relief surface extending from the tip, and a protrusion extending from an end of the relief surface opposite the tip, the protrusion of each cutting tooth inhibiting the nail from entering the gullet and contacting the rake face of an adjacent cutting tooth during cutting operations, each cutting tooth defining an effective relief surface that extends from the tip and is tangent to the protrusion;

wherein the tips of the plurality of cutting teeth define a first plane that is generally parallel to the longitudinal axis and the protrusions of the plurality of cutting teeth define a second plane that is generally parallel to the longitudinal axis, wherein a distance between the first plane and the second plane is at most approximately 0.035 inches;

wherein the effective relief angle of each cutting tooth is approximately 14.5 degrees, wherein a distance between effective relief surfaces of adjacent cutting teeth, measured perpendicular to the effective relief surfaces, is at most approximately 0.06 inches; and

wherein the relief surface of each cutting tooth intersects the first plane at a relief angle and the effective relief surface of each cutting tooth intersects the first plane at an

effective relief angle, and wherein a value of the effective relief angle is between a value of the tang angle and a value of the relief angle.

33. The reciprocating saw blade of claim 22, wherein the distance between the first plane and the second plane is approximately 0.032 inches.

34. The reciprocating saw blade of claim 33, wherein a distance between the protrusion of one cutting tooth and the tip of an adjacent cutting tooth, measured generally parallel to the longitudinal axis, is approximately 0.08 inches.

35. The reciprocating saw blade of any one of claims 32 to 34, wherein the distance between effective relief surfaces of adjacent cutting teeth is approximately 0.05 inches.

36. The reciprocating saw blade of any one of claims 32 to 35, wherein the tang angle is approximately 6.5 degrees and the relief angle of each cutting tooth is approximately 23 degrees.

37. The reciprocating saw blade of any one of claims 32 to 36, wherein adjacent cutting teeth of the plurality of cutting teeth are separated by a pitch of approximately 0.2 inches.

38. The reciprocating saw blade of any one of claims 32 to 37, wherein the protrusion of each cutting tooth is generally rounded.

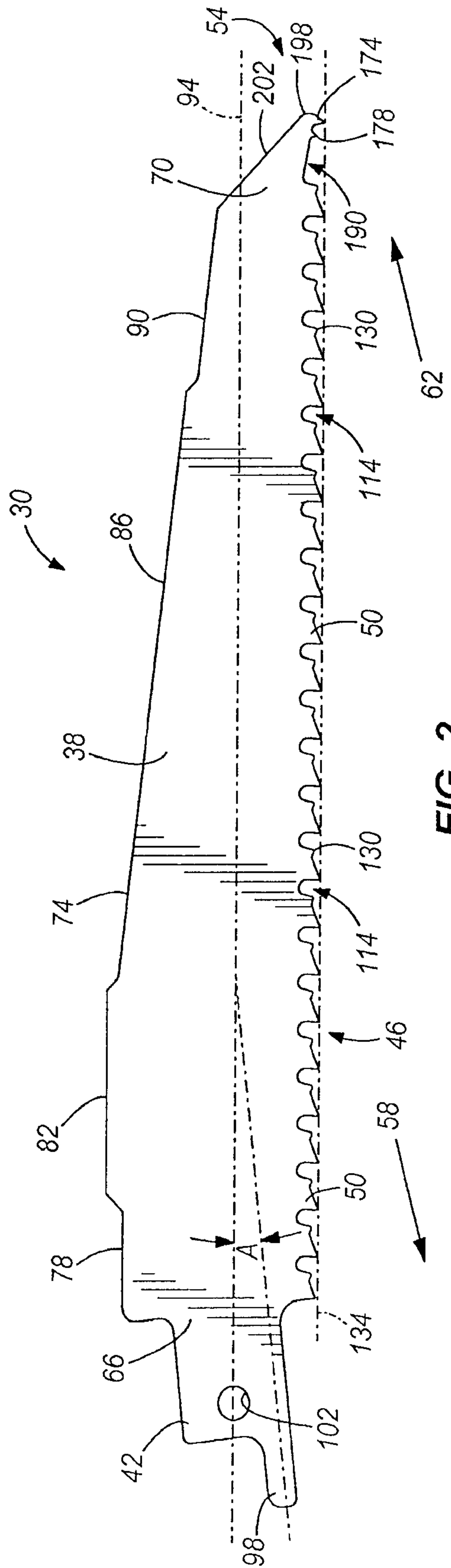


FIG. 2

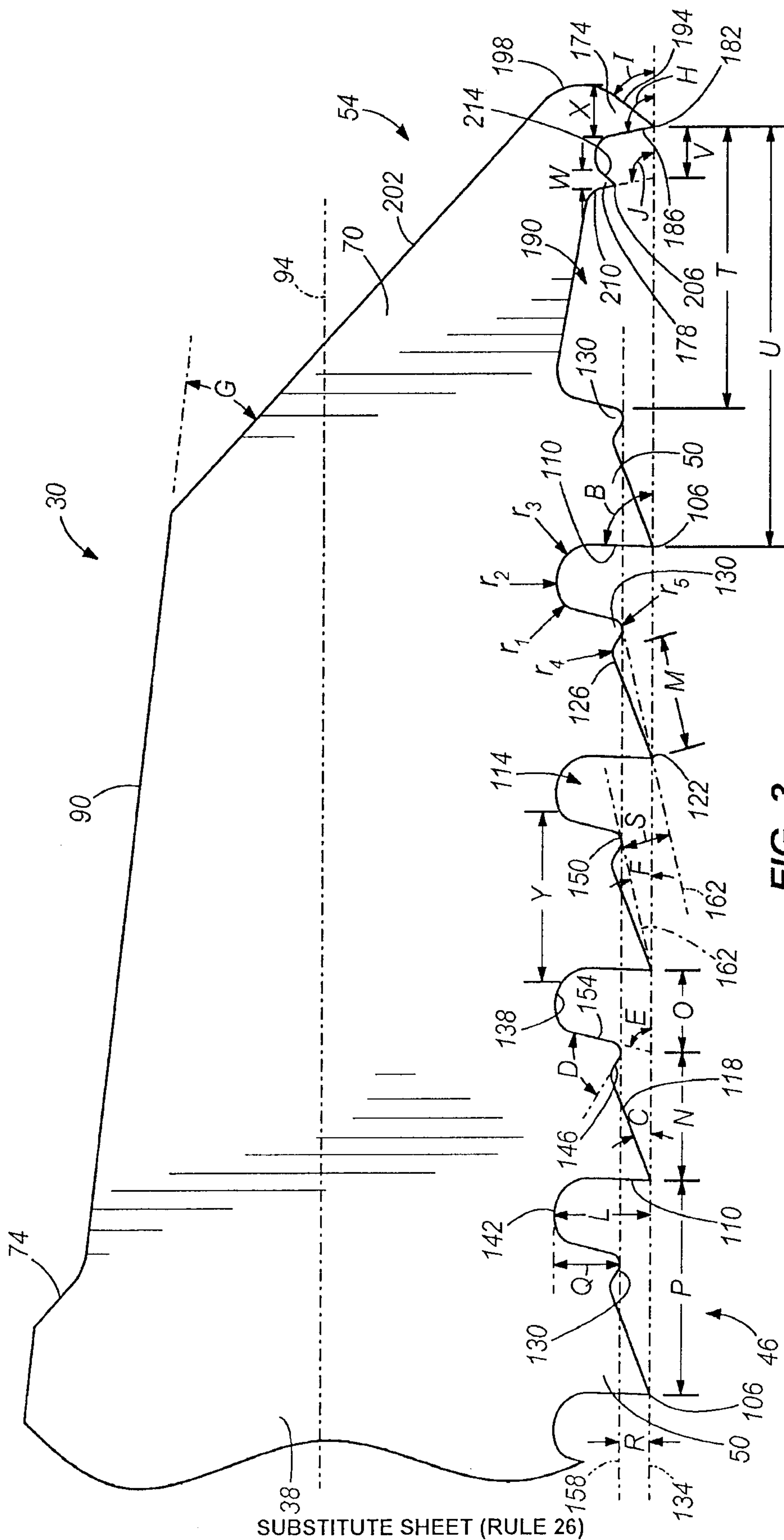


FIG. 3

SUBSTITUTE SHEET (RULE 26)

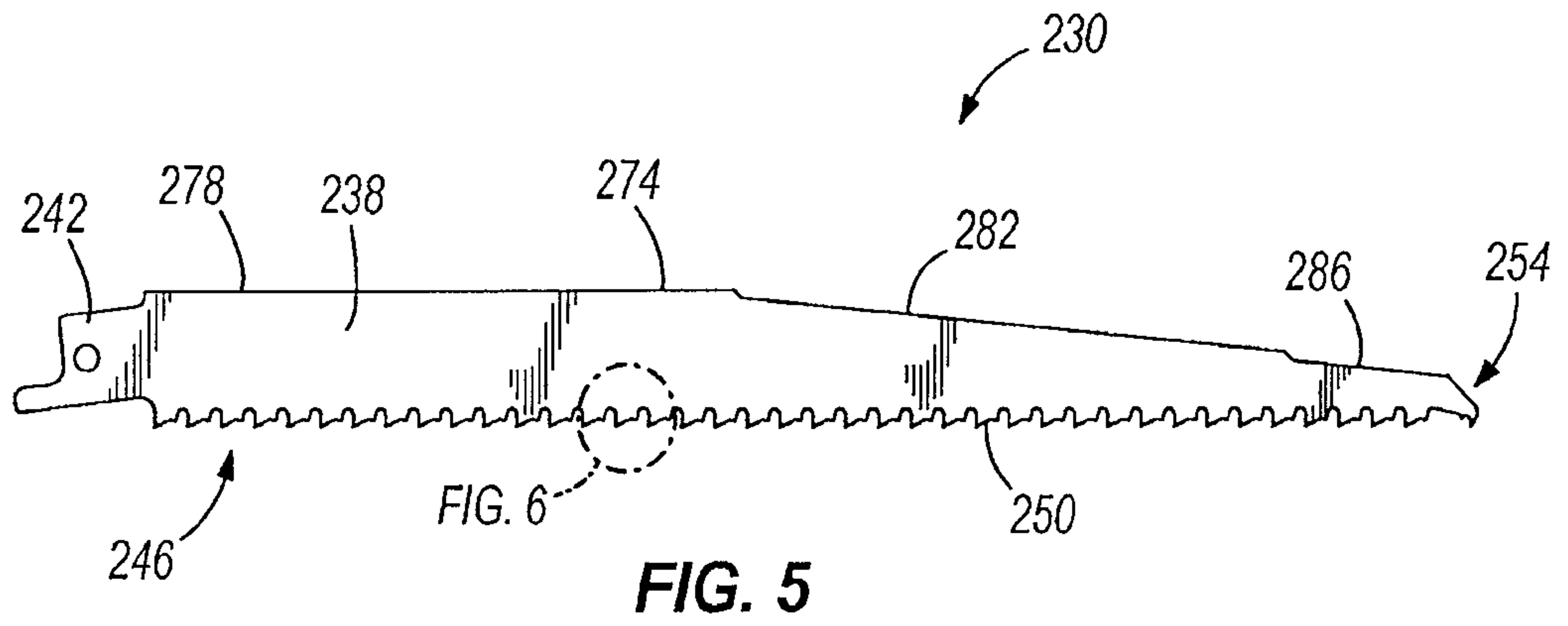


FIG. 5

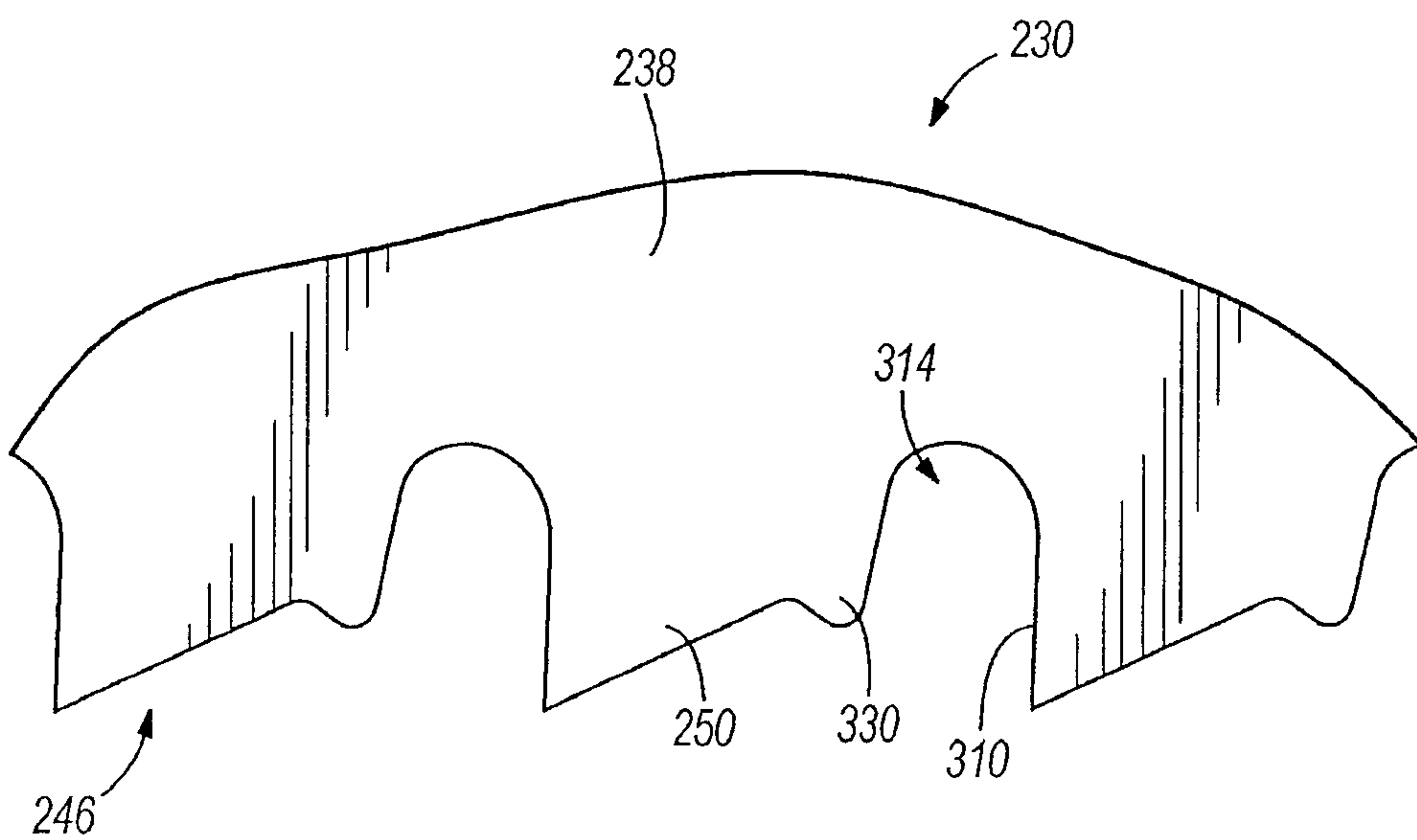


FIG. 6

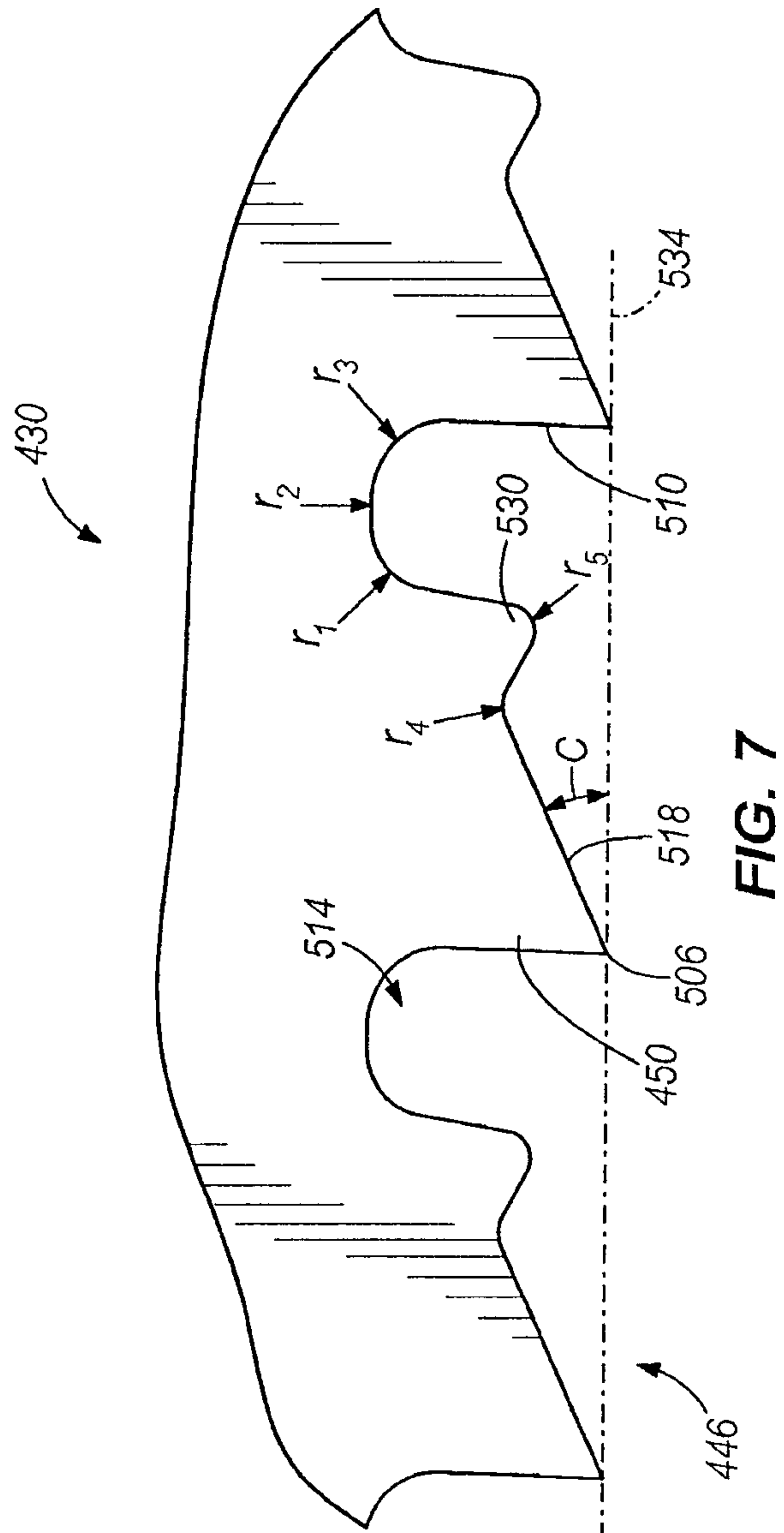
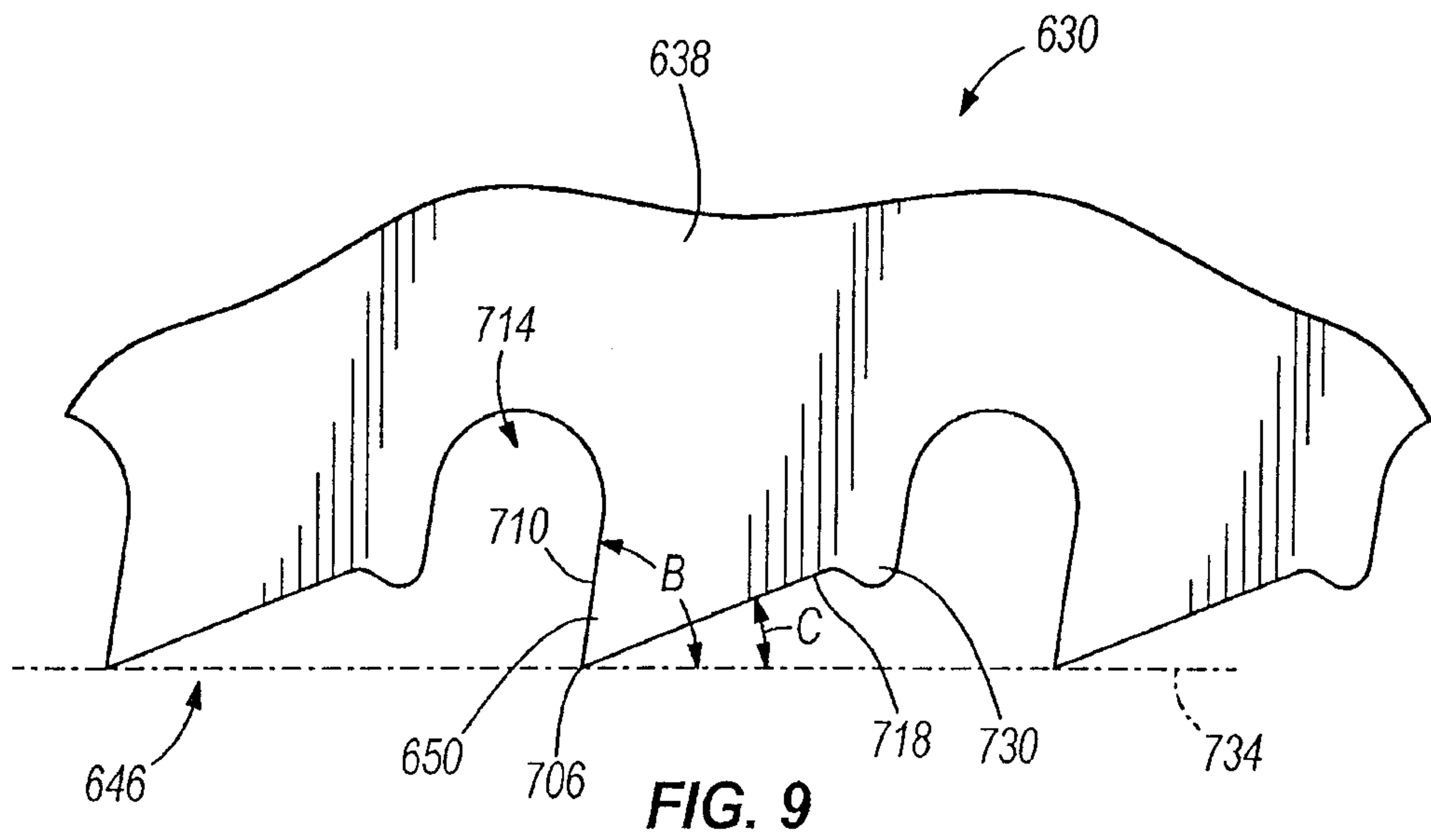
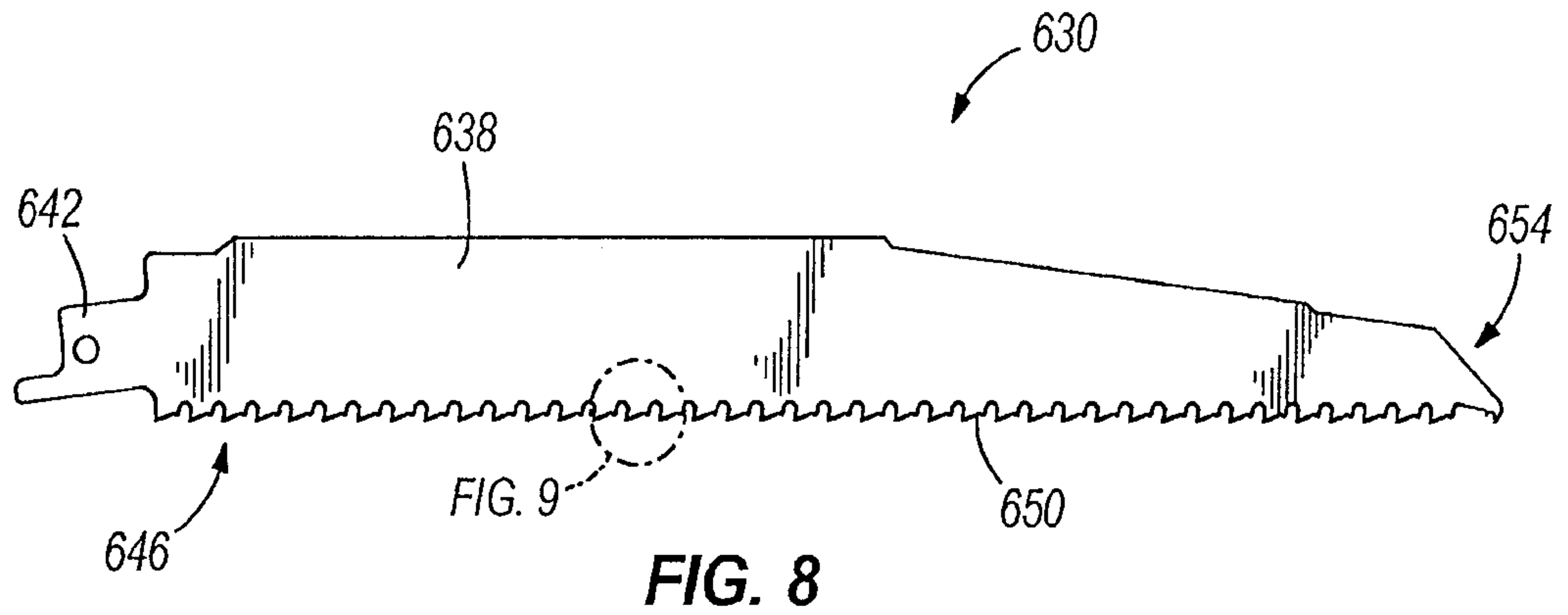
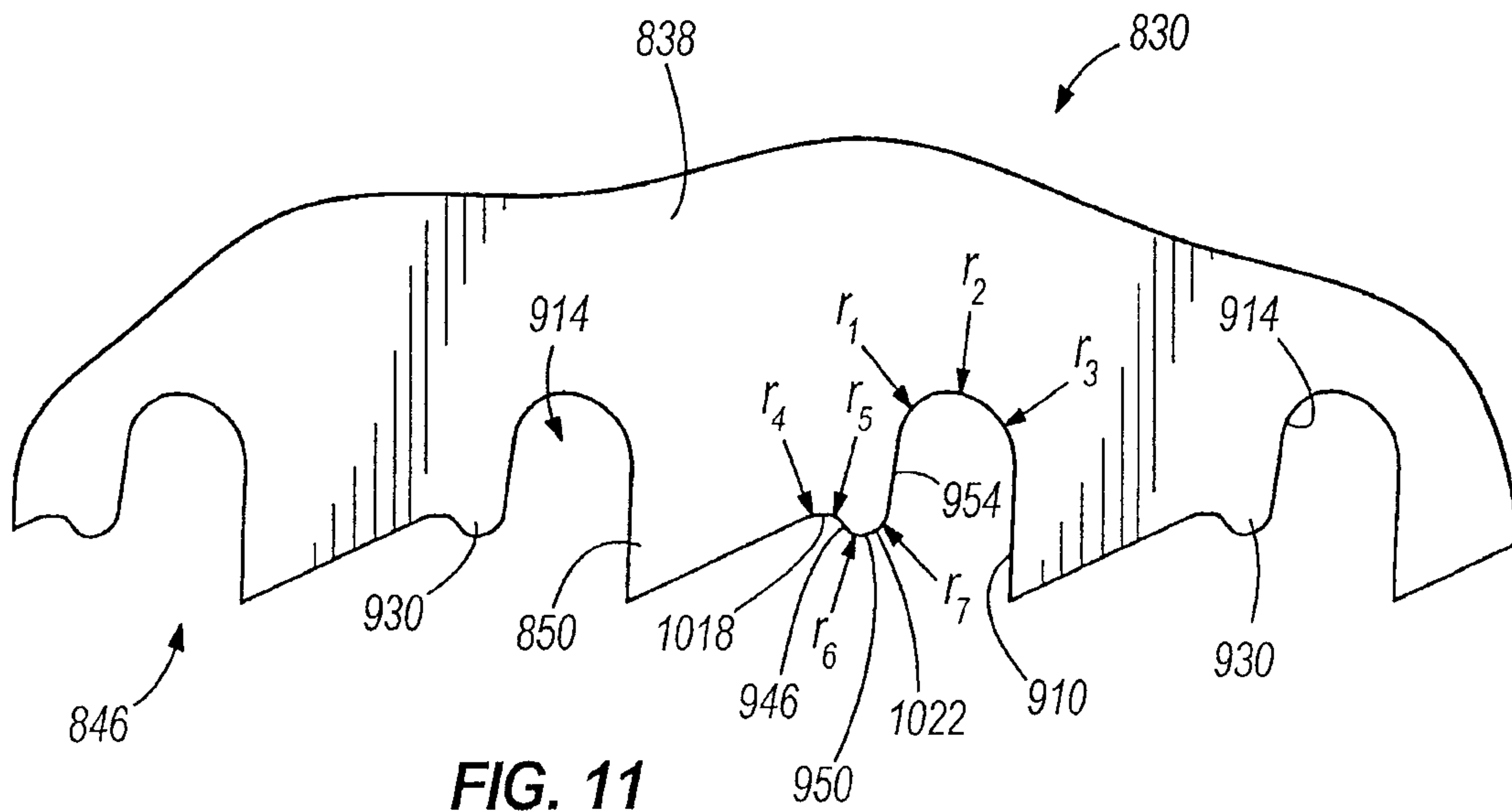
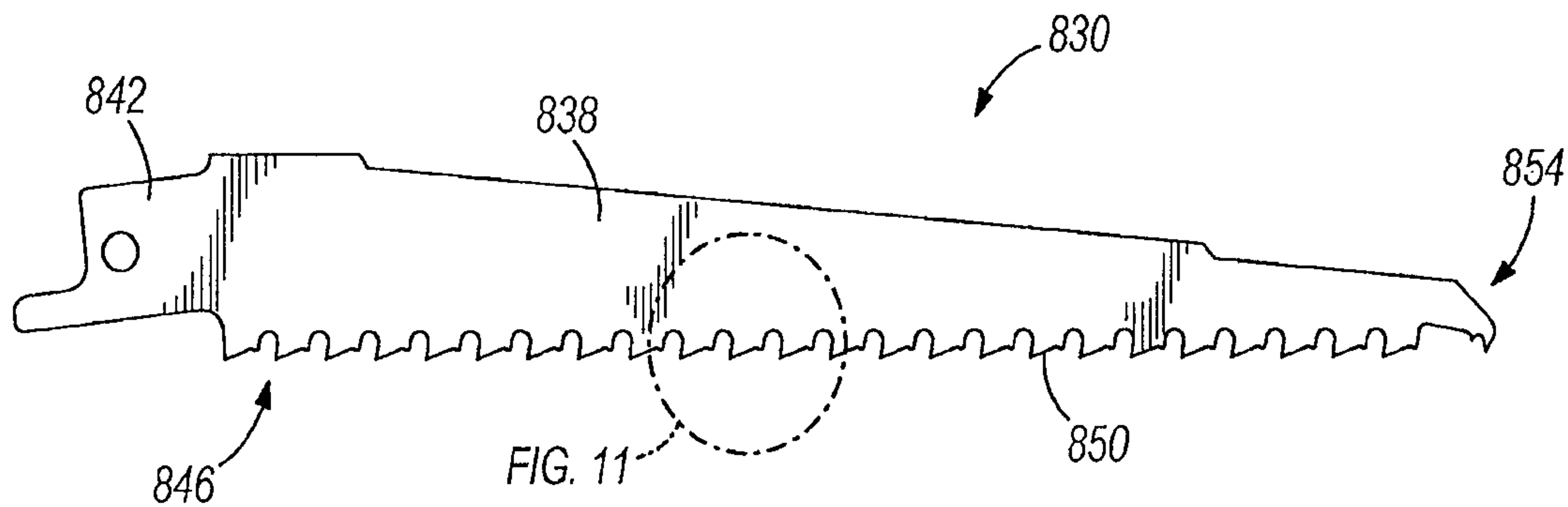


FIG. 7





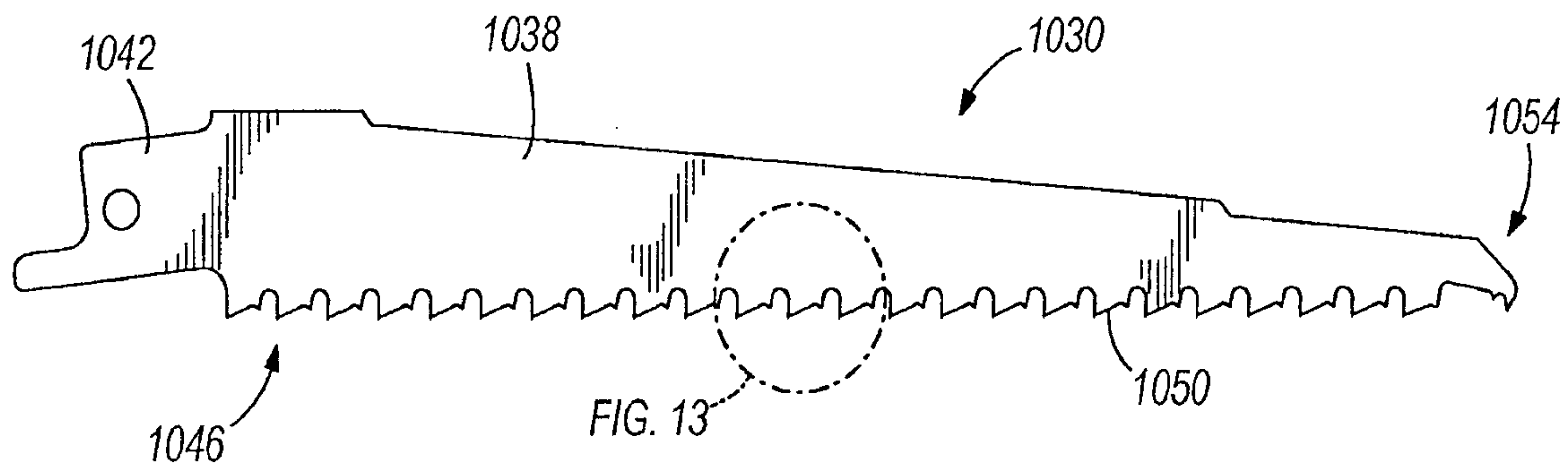


FIG. 12

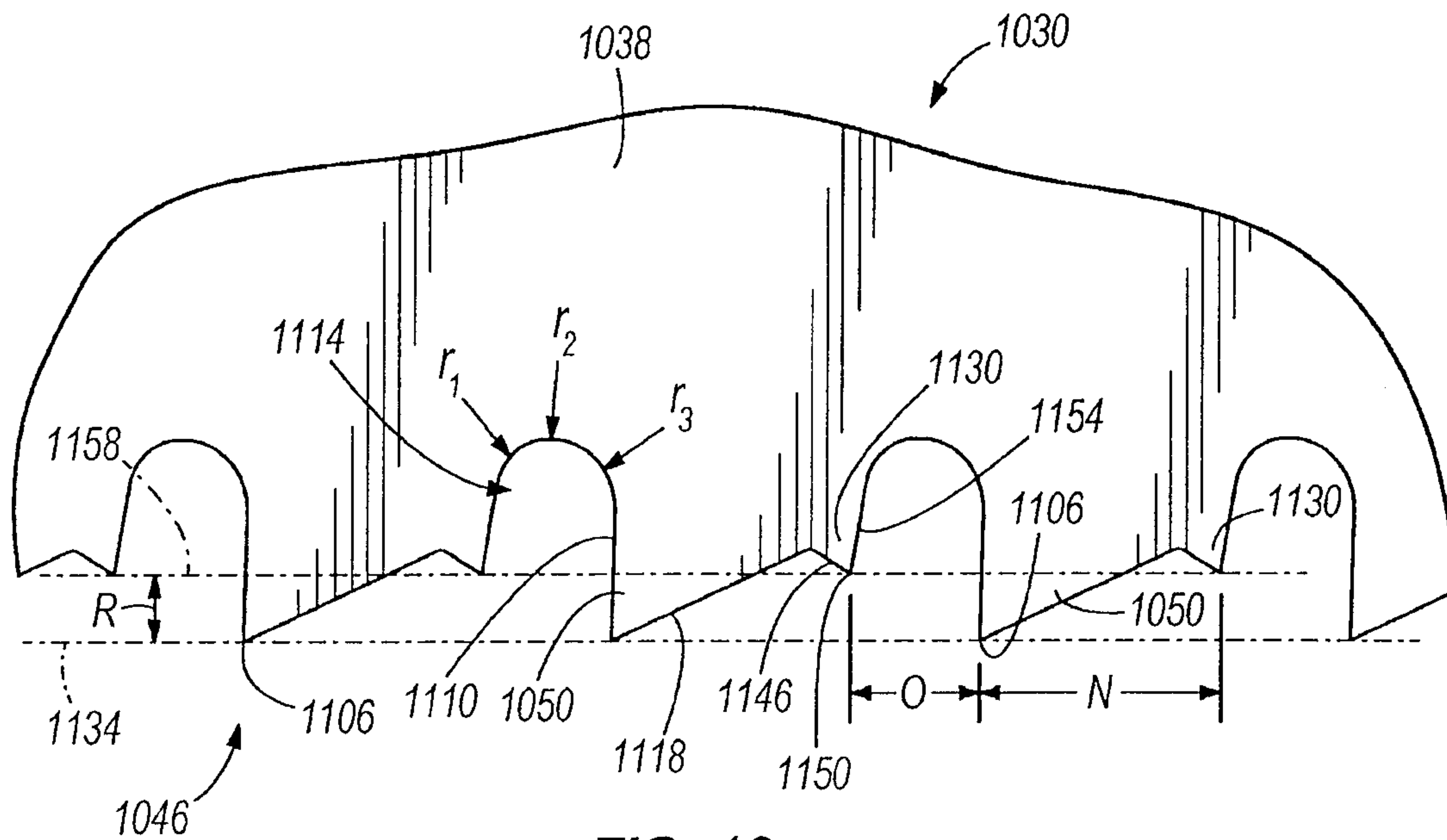


FIG. 13

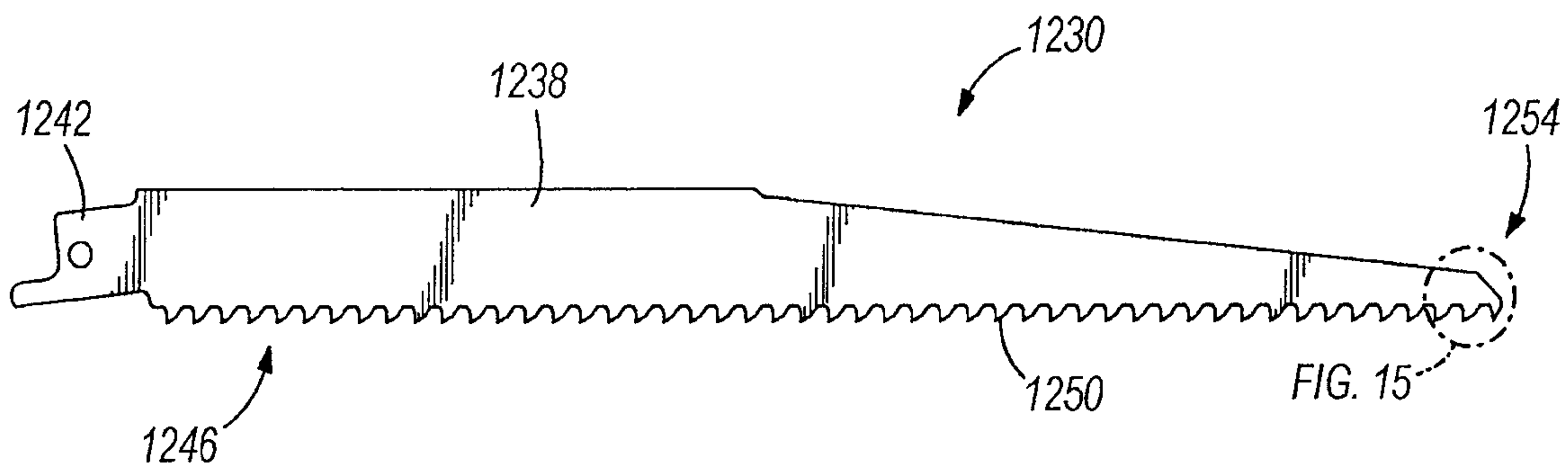


FIG. 14

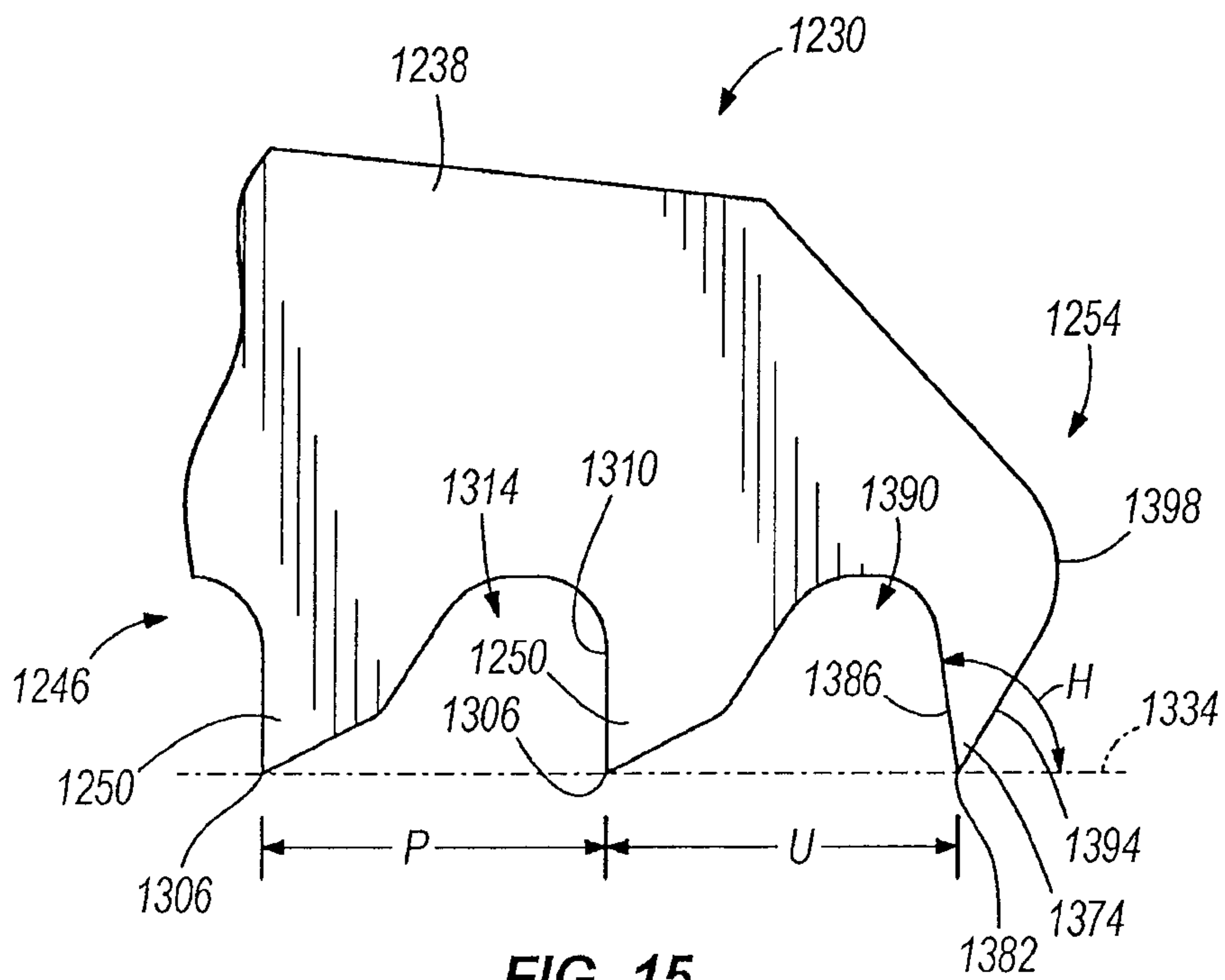
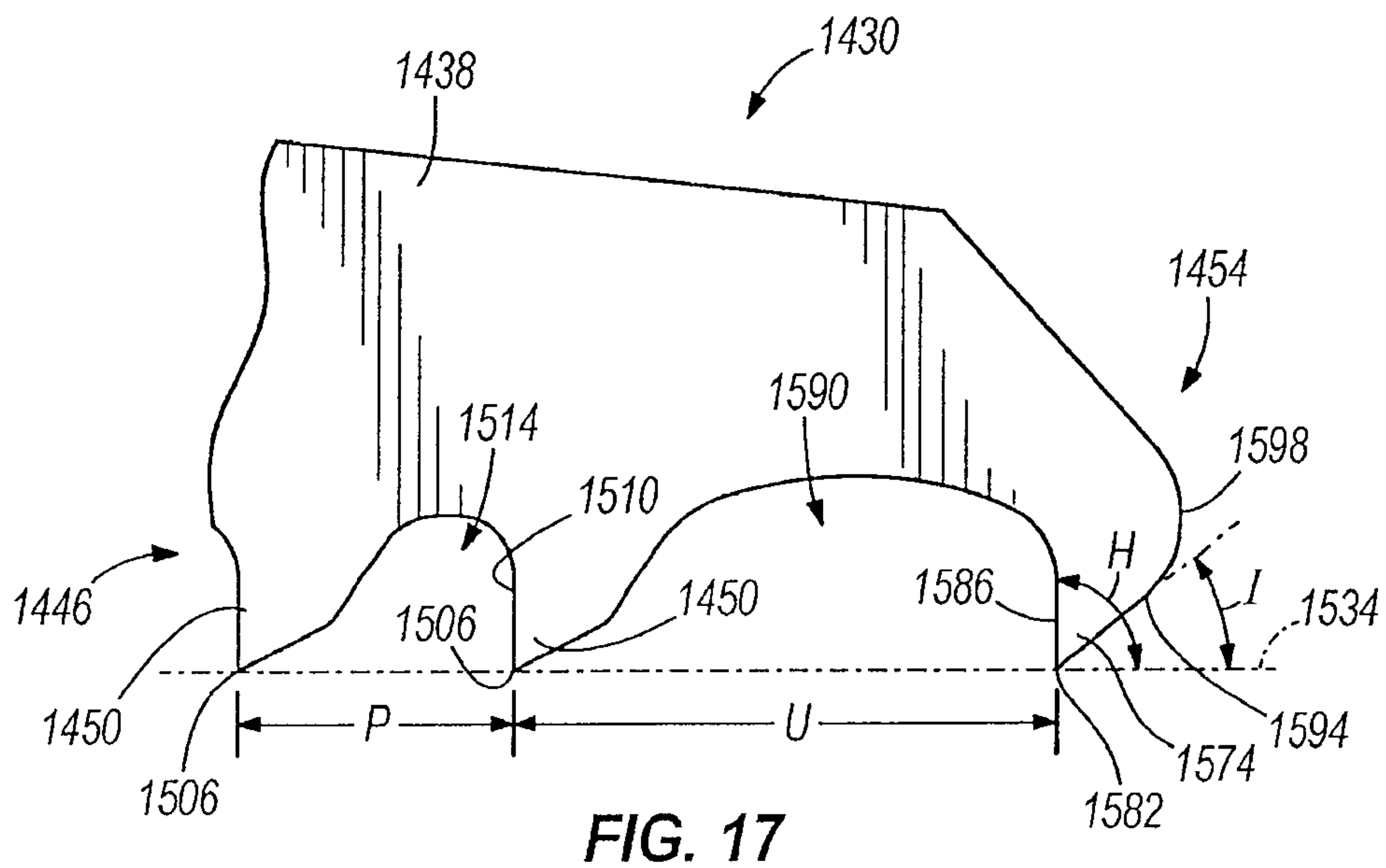
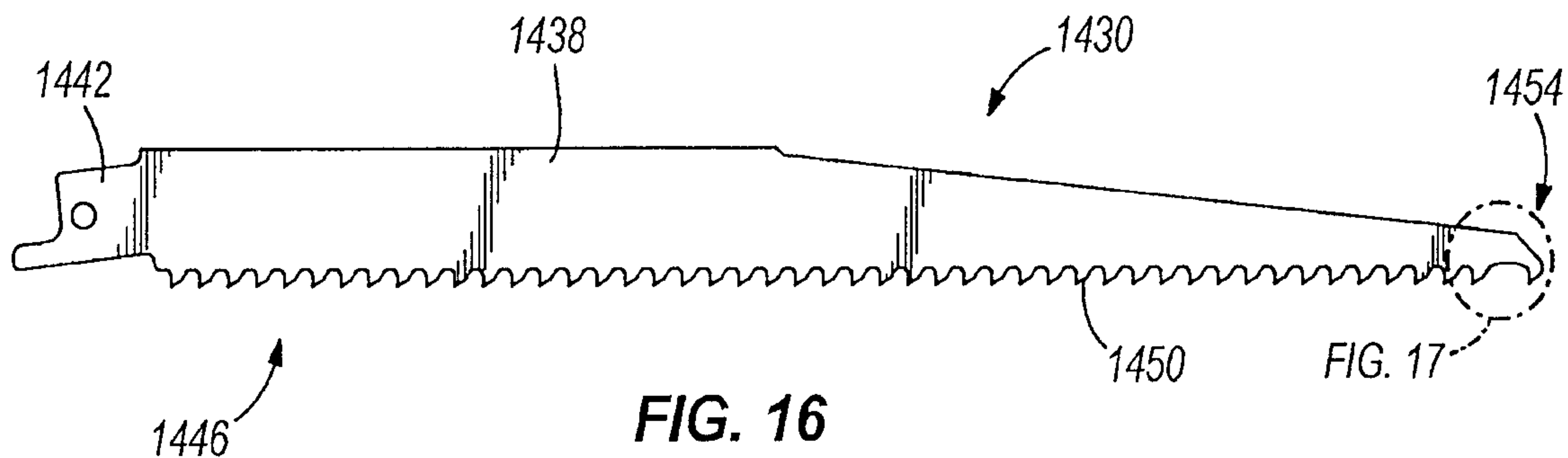
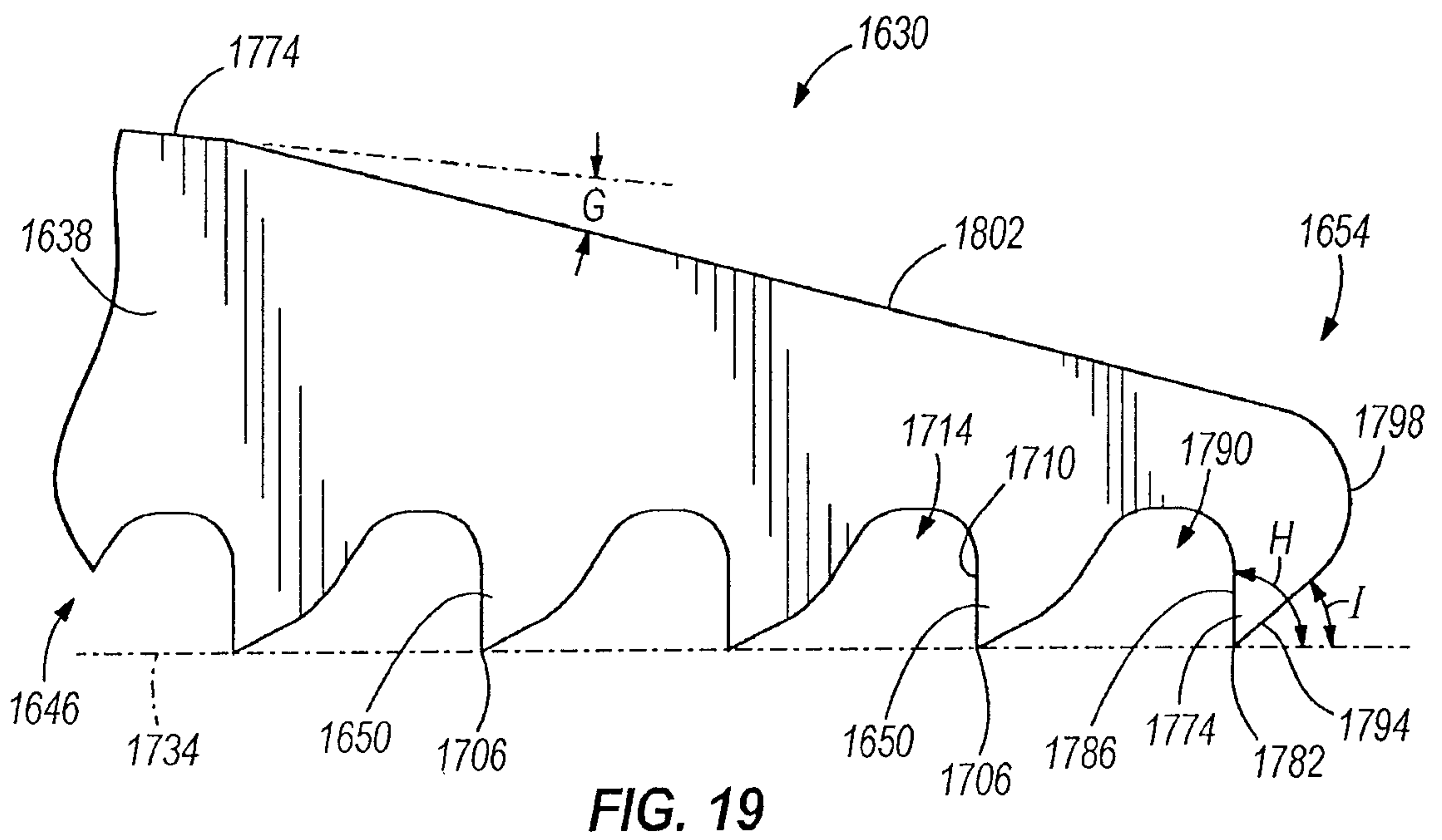
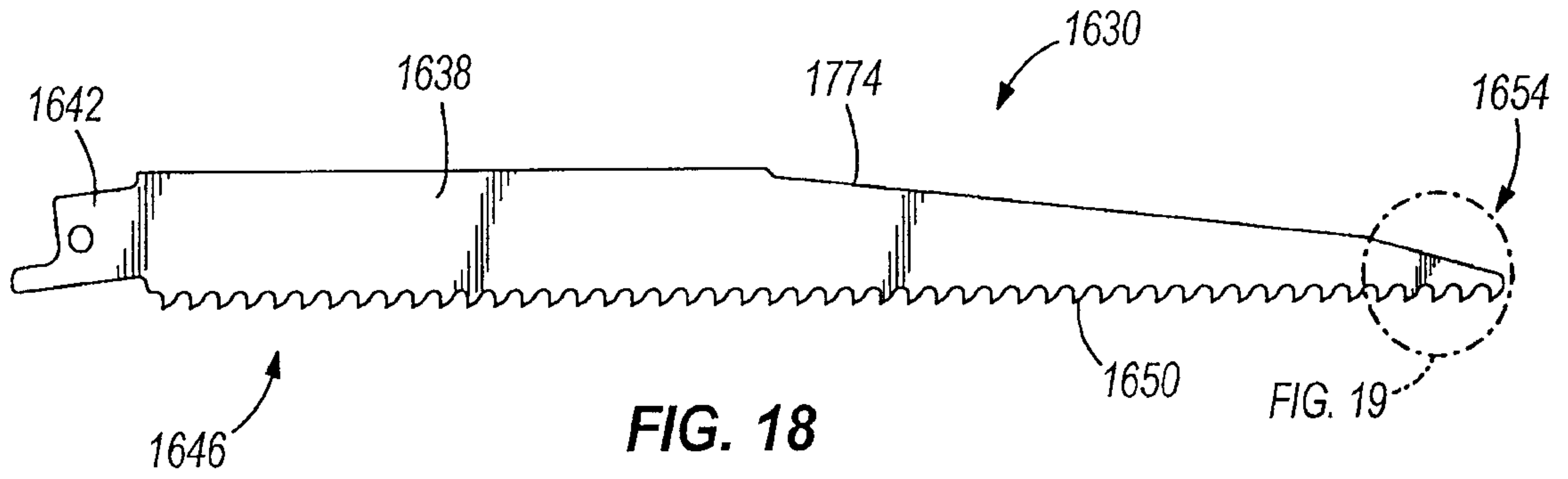
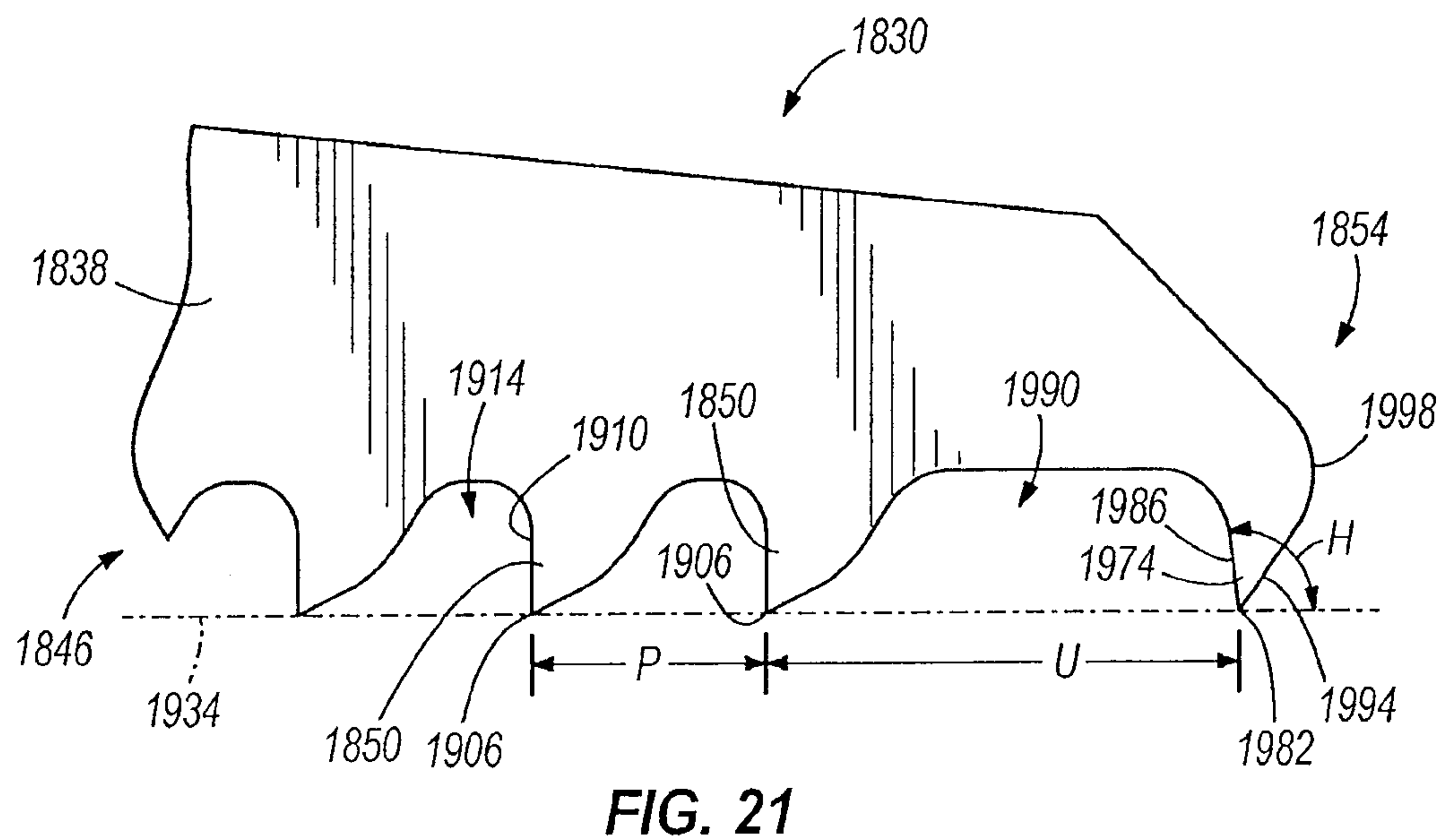
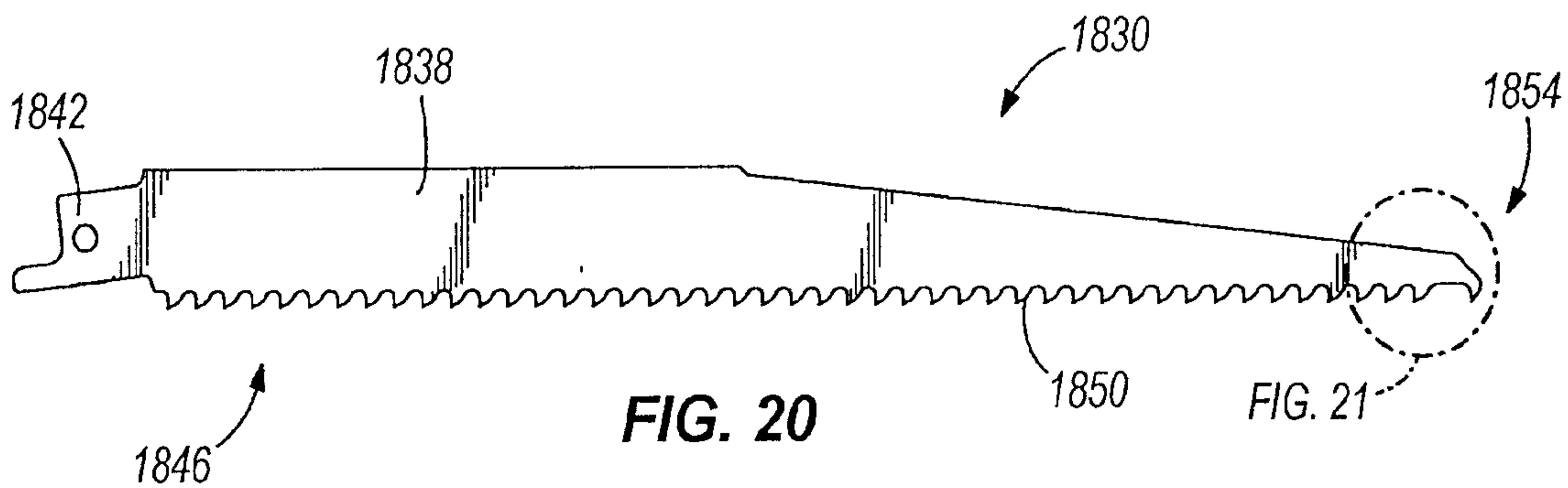
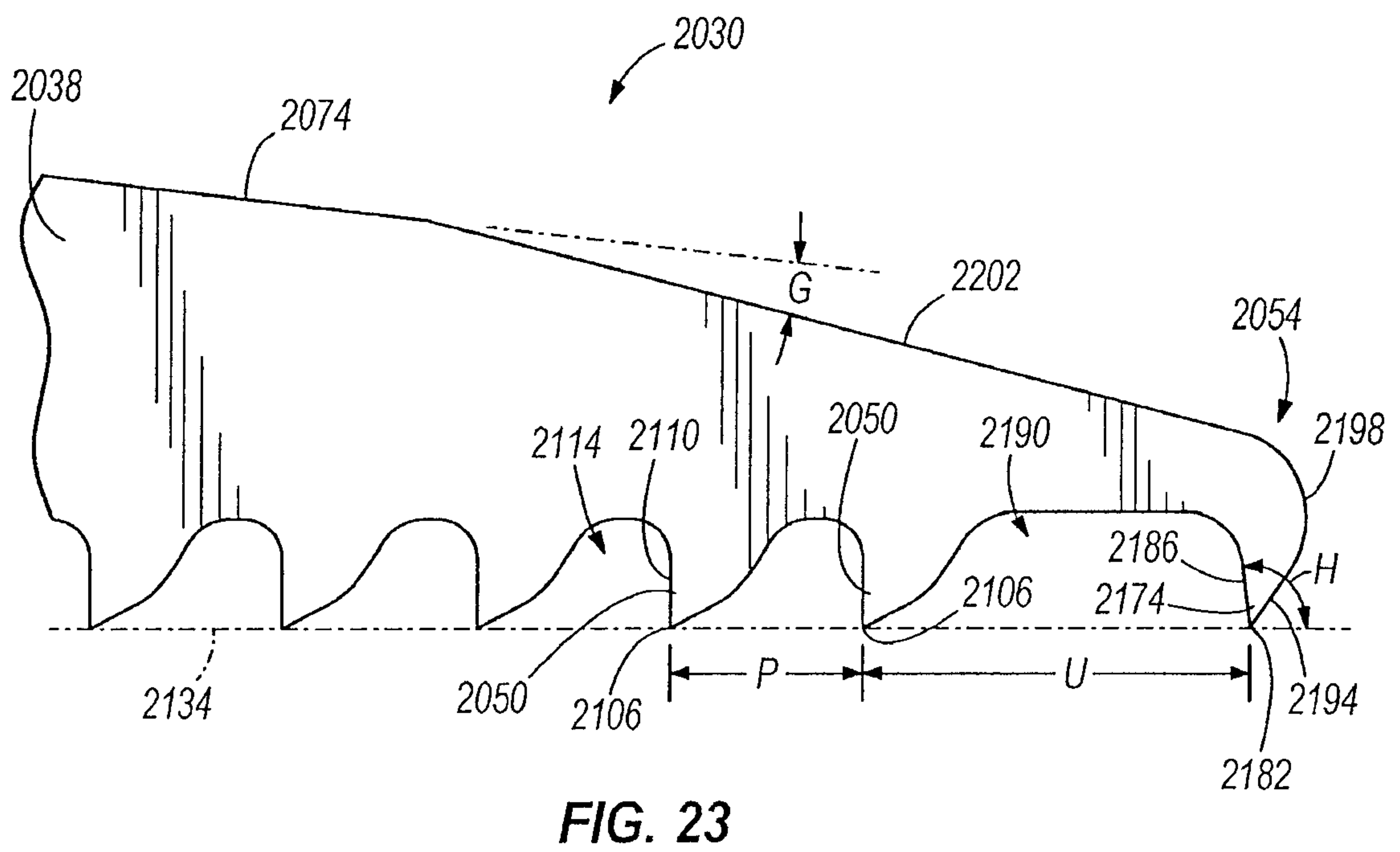
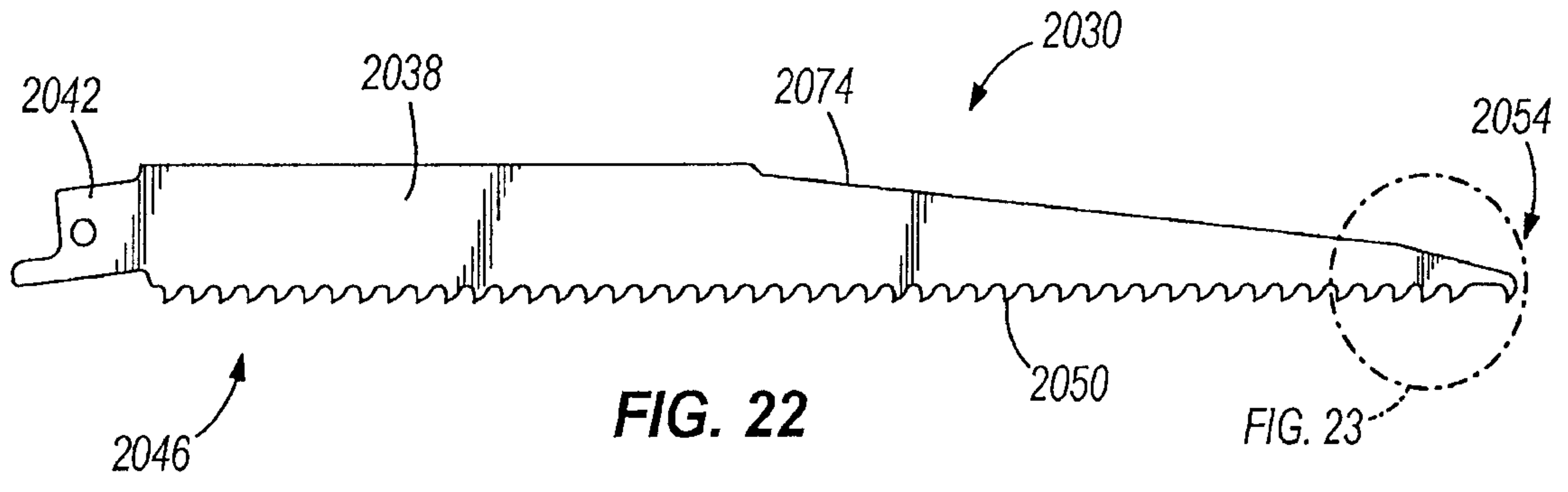


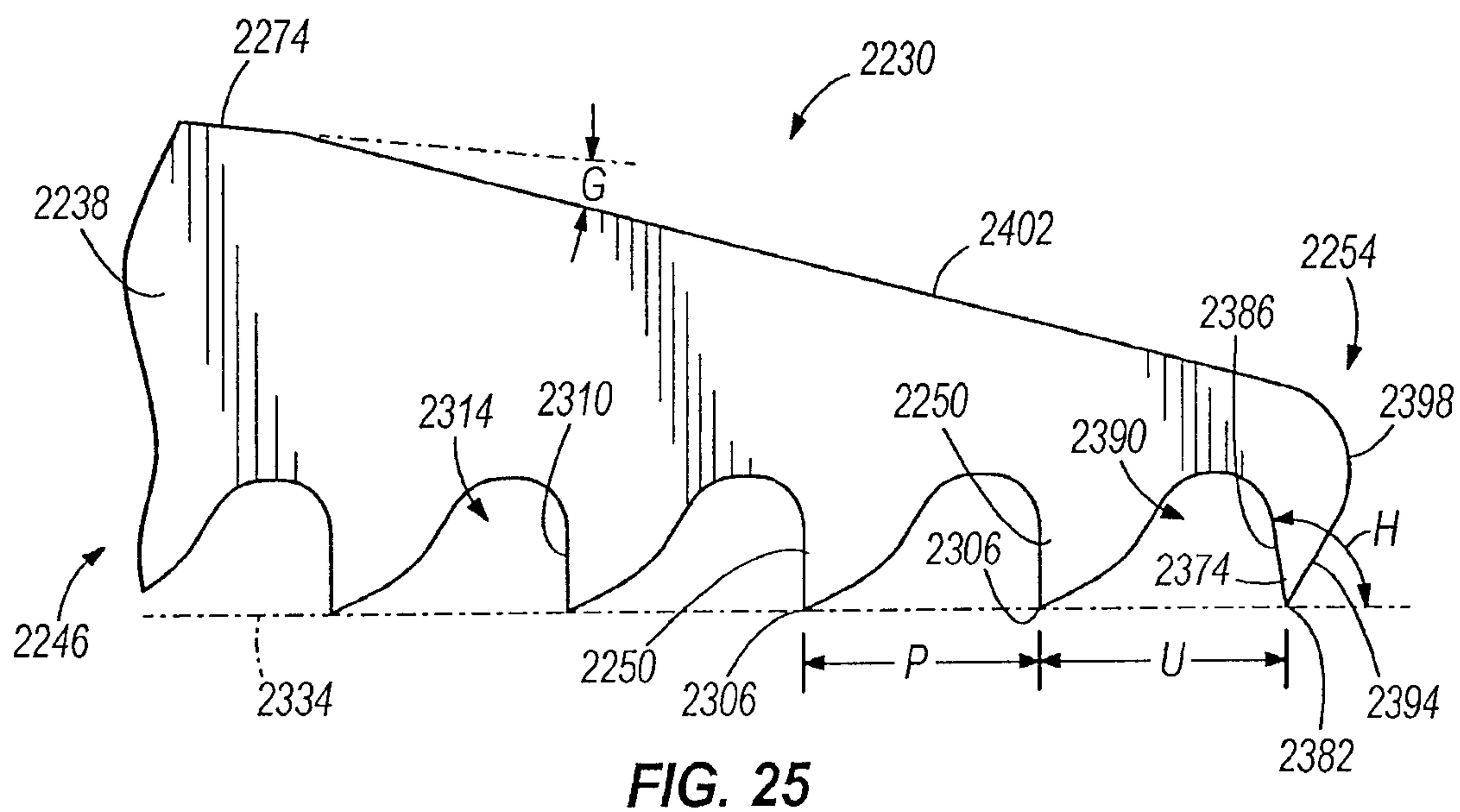
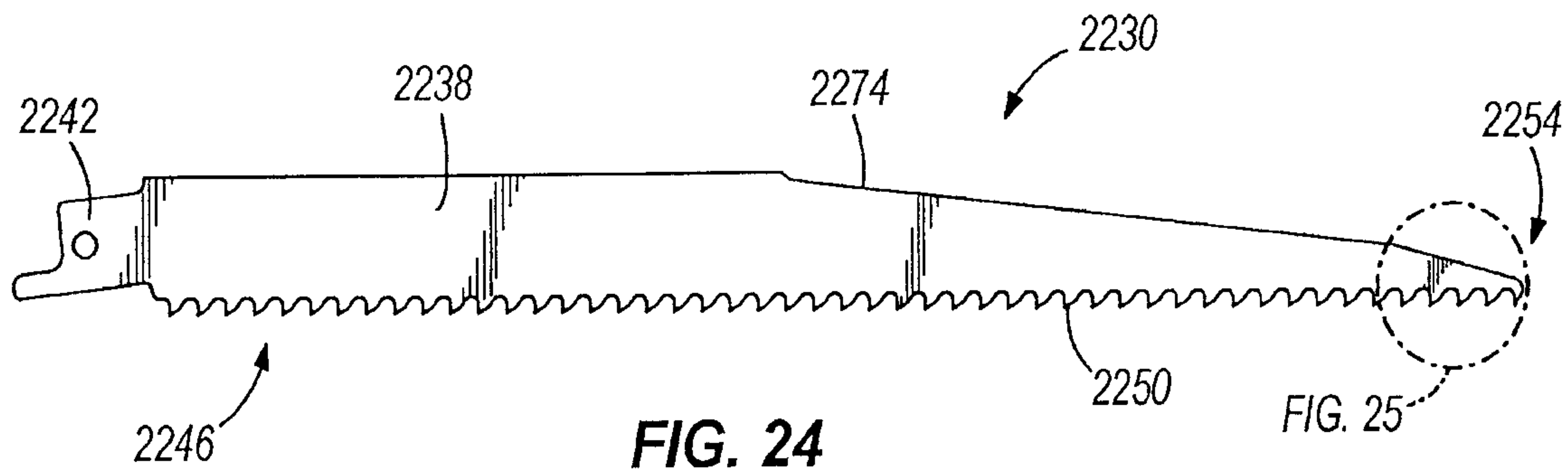
FIG. 15











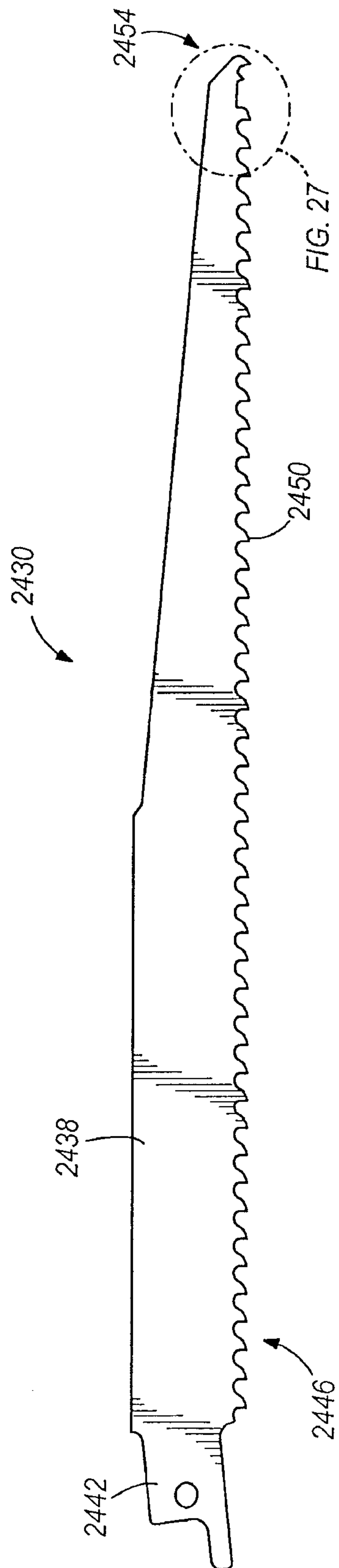


FIG. 26

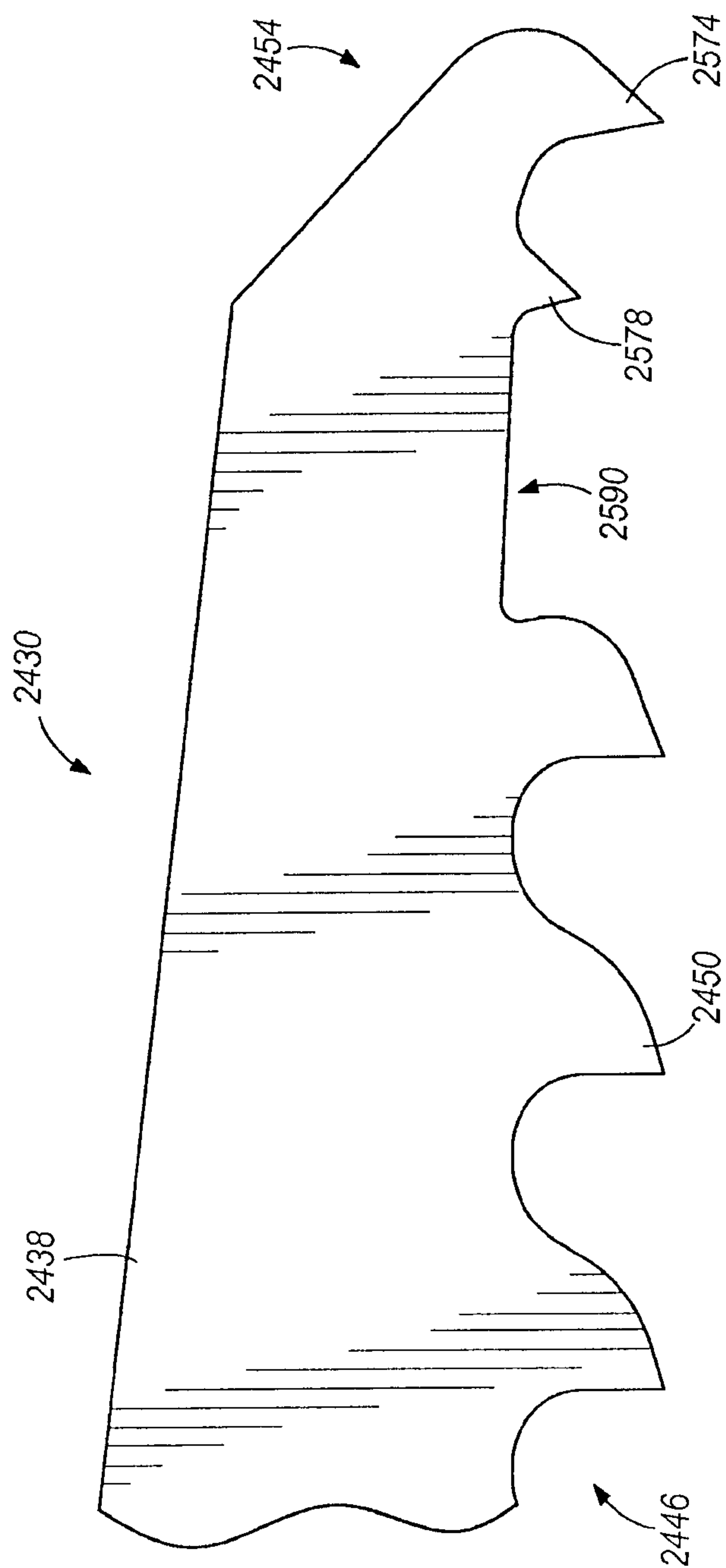


FIG. 27

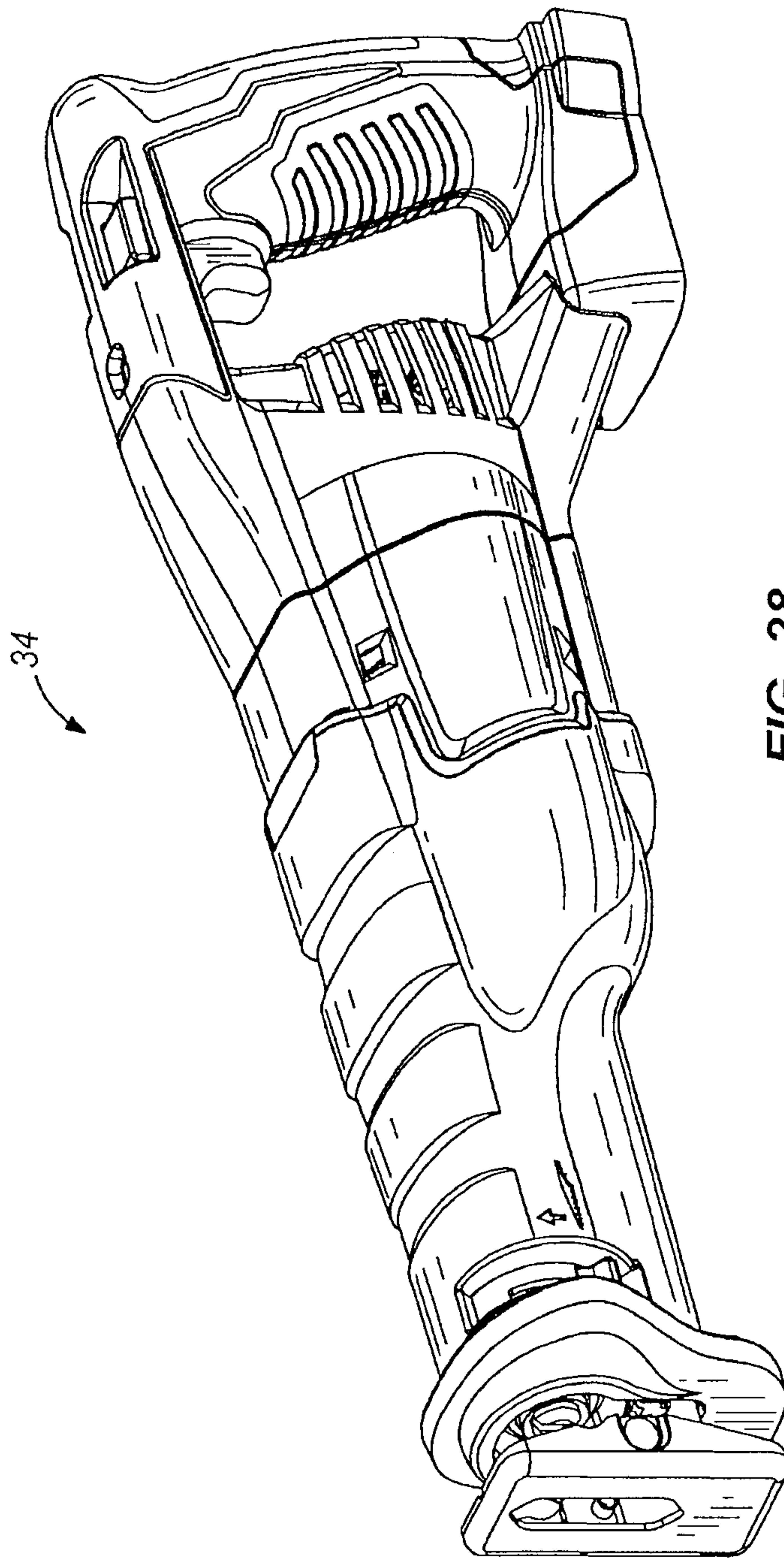


FIG. 28

