



US0D1013837S

(12) **United States Design Patent**
Eads et al.

(10) **Patent No.:** **US D1,013,837 S**

(45) **Date of Patent:** **** Feb. 6, 2024**

(54) **FAUCET**

FOREIGN PATENT DOCUMENTS

(71) Applicant: **DELTA FAUCET COMPANY,**
Indianapolis, IN (US)

CN	201330224045	*	6/2013
CN	201630329264	*	7/2016
CN	201930453363.6	*	8/2019

(72) Inventors: **Thad Eads,** Urbana, IN (US); **Celine Kwok Garland,** Zionsville, IN (US)

OTHER PUBLICATIONS

(73) Assignee: **DELTA FAUCET COMPANY,**
Indianapolis, IN (US)

Amazon, Jassferry Italian Designer Square Kitchen Sink Mixer Taps, posted Apr. 1, 2017, [online], [visited Jun. 17, 2023]. Internet, <URL: <https://www.amazon.co.uk/Italian-Designer-Kitchen-Monobloc-Rectangle/dp/B06Y1ZN2GL/ref>> (Year: 2017).*

Amazon, Solvex Single Handle Kitchen Taps, posted Jul. 12, 2021, [online], [visited Jun. 17, 2023]. Internet, <URL: <https://www.amazon.co.uk/SOLVEX-Kitchen-Stainless-Brushed-SP-10021/dp/B0995JF5QT/ref>> (Year: 2021).*

Amazon, Chen Faucet Pull Out Chrome and Black Faucet Sink Mixer Tap, posted Jul. 18, 2020, [online], [visited Jun. 17, 2023]. Internet, <URL: <https://www.amazon.co.uk/CHEN-Faucet-Chrome-Kitchen-Faucets/dp/B08D7M9JYQ/ref>> (Year: 2020).*

(**) Term: **15 Years**

(21) Appl. No.: **29/770,615**

(22) Filed: **Feb. 14, 2021**

(51) **LOC (14) Cl.** **23-01**

(52) **U.S. Cl.**
USPC **D23/238**

(58) **Field of Classification Search**

USPC D23/238, 239, 240, 241, 242, 246, 247,
D23/249, 250, 251, 252, 253, 254, 255,
D23/256, 257

CPC E03C 1/00; E03C 1/01; E03C 1/02; E03C
1/023; E03C 1/04; E03C 1/0401; E03C
1/0403; E03C 1/0404; E03C 1/0405;
E03C 1/0412; E03C 1/05; E03C 1/042;
F16K 31/60

See application file for complete search history.

* cited by examiner

Primary Examiner — Samantha Wood

(74) *Attorney, Agent, or Firm* — Jeffrey L. Doyle

(57) **CLAIM**

The ornamental design for a faucet, as shown and described.

DESCRIPTION

FIG. 1 is a front perspective view of a faucet showing our new design;

FIG. 2 is a rear perspective view thereof;

FIG. 3 is a front elevational view thereof;

FIG. 4 is a left side view thereof;

FIG. 5 is rear view thereof;

FIG. 6 is a right side view thereof; and,

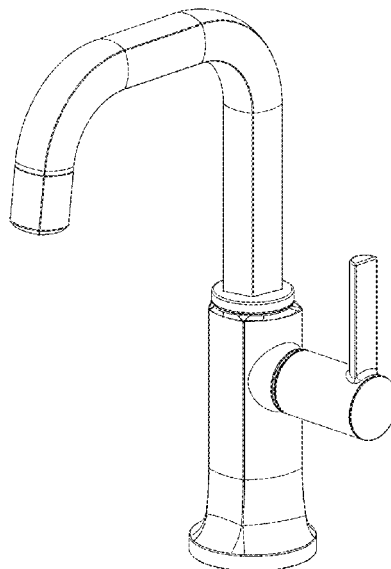
FIG. 7 is a top plan view thereof.

1 Claim, 4 Drawing Sheets

(56) **References Cited**

U.S. PATENT DOCUMENTS

D553,714	S	*	10/2007	Demmer	D7/398
D693,906	S	*	11/2013	Zhang	D23/238
D786,405	S	*	5/2017	Schaubach	D23/238
D797,892	S	*	9/2017	Fritz	D23/238
D818,564	S	*	5/2018	Garland	D23/255
D820,400	S	*	6/2018	Eads	D23/238
D912,775	S	*	3/2021	Yang	D23/238
D957,575	S	*	7/2022	Downey	D23/238
D969,973	S	*	11/2022	Gessi	D23/238



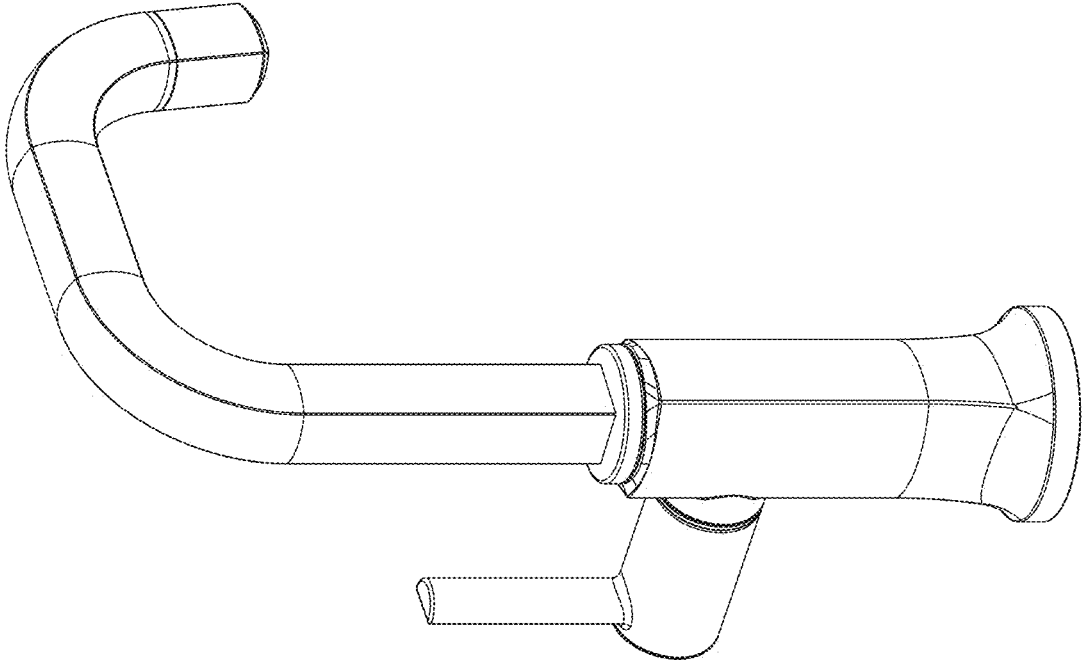


FIG - 2

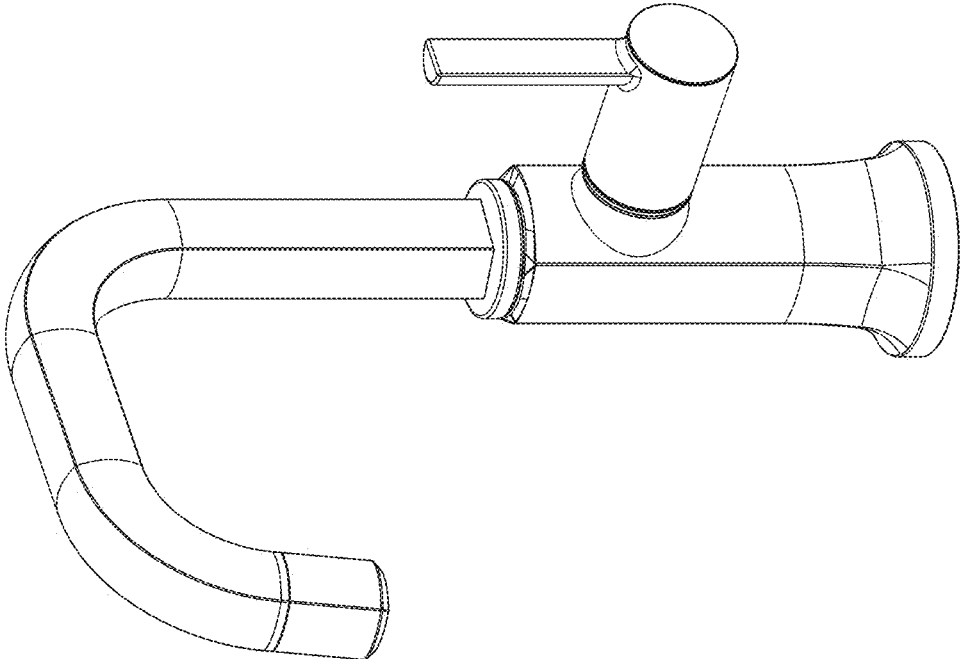


FIG - 1

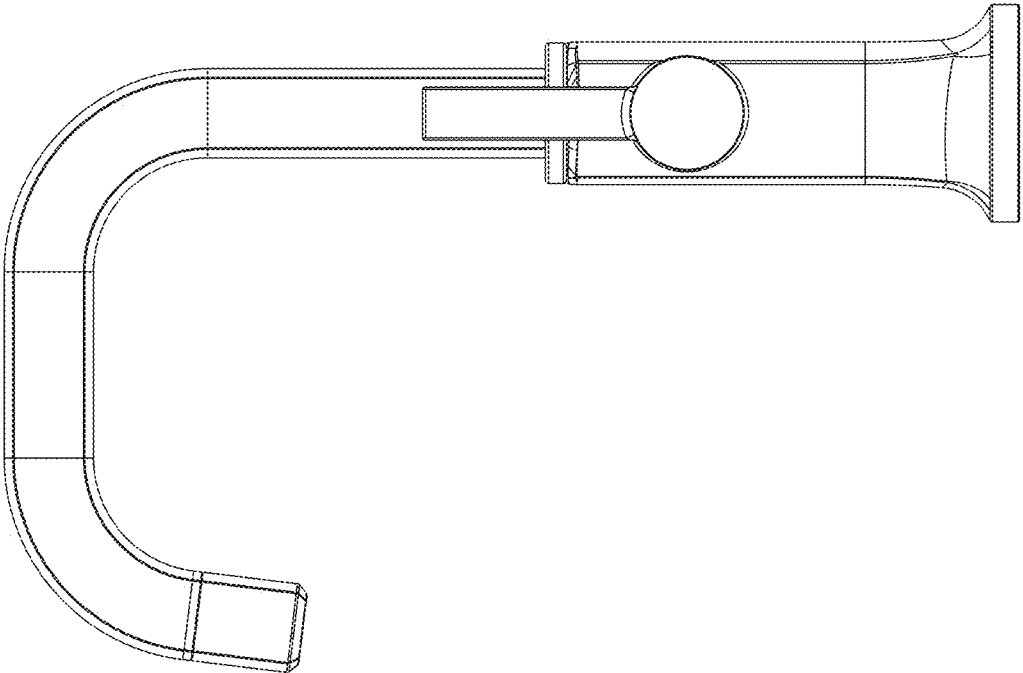


FIG - 4

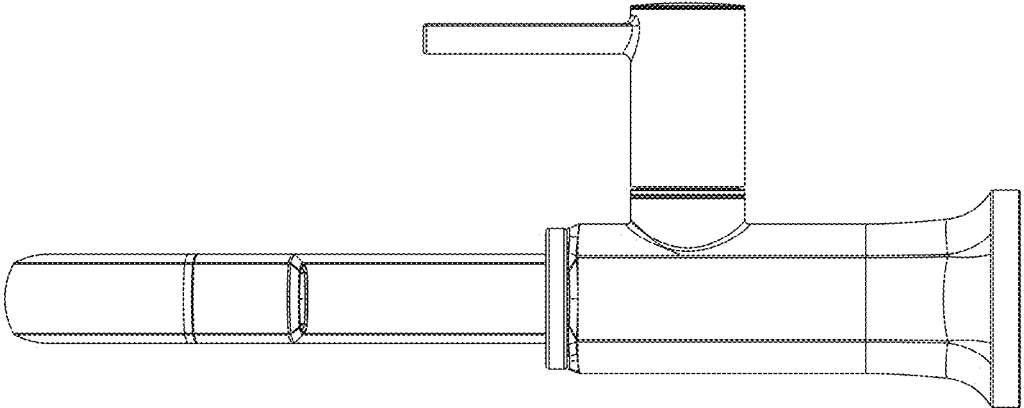


FIG - 3

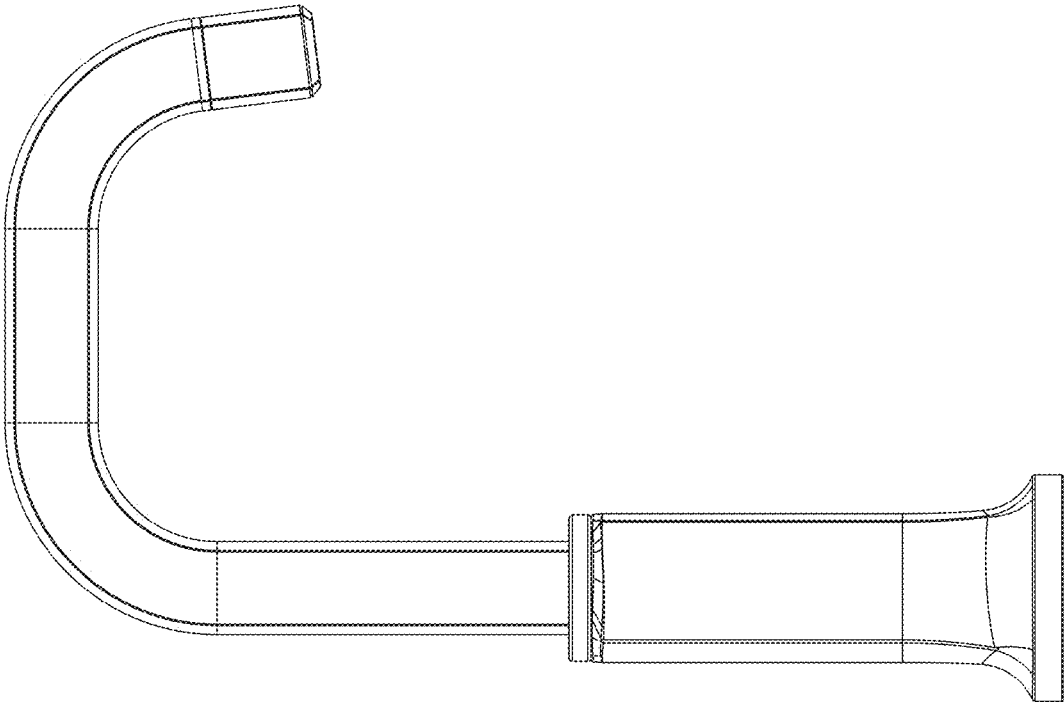


FIG - 6

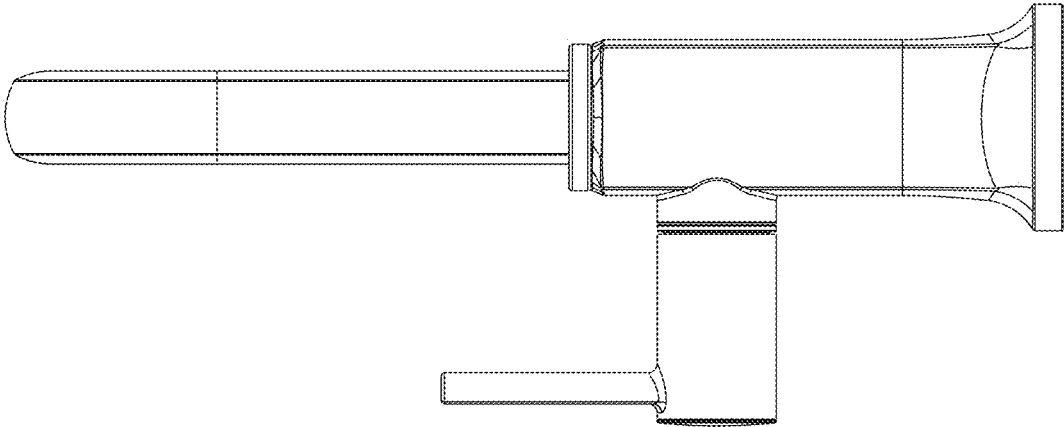


FIG - 5

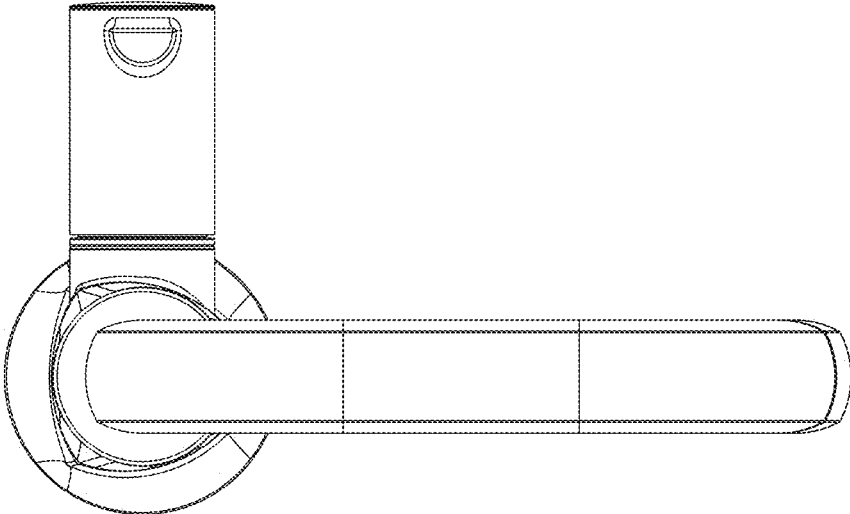


FIG - 7