



US00D717162S

(12) **United States Design Patent**
Baker

(10) **Patent No.:** **US D717,162 S**

(45) **Date of Patent:** **** Nov. 11, 2014**

(54) **CONTAINER**

FOREIGN PATENT DOCUMENTS

(75) Inventor: **Steven Baker**, Omaha, NE (US)

CH 672 585 12/1989
DE 28 10 175 A1 9/1979

(73) Assignee: **ConAgra Foods RDM, Inc.**, Omaha, NE (US)

(Continued)

(**) Term: **14 Years**

OTHER PUBLICATIONS

(21) Appl. No.: **29/424,388**

U.S. Official Action mailed Oct. 3, 2013, in U.S. Appl. No. 11/703,066.

(22) Filed: **Jun. 12, 2012**

(Continued)

(51) **LOC (10) Cl.** **09-03**

Primary Examiner — Susan Bennett Hattan

(52) **U.S. Cl.**

Assistant Examiner — Vy Koenig

USPC **D9/431**

(74) *Attorney, Agent, or Firm* — Ryan T. Grace; Advent, LLP

(58) **Field of Classification Search**

CPC B29L 2031/7162; B29L 2031/7164;
B29L 2031/7166; B65D 1/22; B65D 1/34;
B65D 43/162; B65D 81/02; B65D 81/3813;
B65D 5/00; B65D 5/001; B65D 5/0025;
B65D 5/005; B65D 5/067-5/069; B65D 5/64;
B65D 5/72; B65D 21/00
USPC D9/415-419, 420-425, 428, 429-435,
D9/708, 719, 734; D3/203.2, 272, 273,
D3/294, 302-304; D7/538-542, 601, 602,
D7/629; 220/780-806, 574-575;
206/521.1, 541, 564; 229/100-101.3,
229/106, 108-112, 124, 125, 162.1, 165,
229/172, 182.1, 183, 185, 200, 210, 221,
229/406, 407

(57) **CLAIM**

The ornamental design for a container, as shown and described.

See application file for complete search history.

DESCRIPTION

FIG. 1 is an isometric view of a container.
FIG. 2 is a first side elevation view of the container of FIG. 1.
FIG. 3 is a second side elevation view of the container of FIG. 1.
FIG. 4 is a first end elevation view of the container of FIG. 1.
FIG. 5 is a second end elevation view of the container of FIG. 1.
FIG. 6 is a bottom plan view of the container of FIG. 1.
FIG. 7 is a top plan view of the container of FIG. 1; and,
FIG. 8 is a cross-sectional side elevation view of the container of FIG. 1, taken on the line 8-8 in FIG. 7.
Portions of FIGS. 1 through 7 are shown in broken lines for depicting environmental subject matter and form no part of the claimed design.

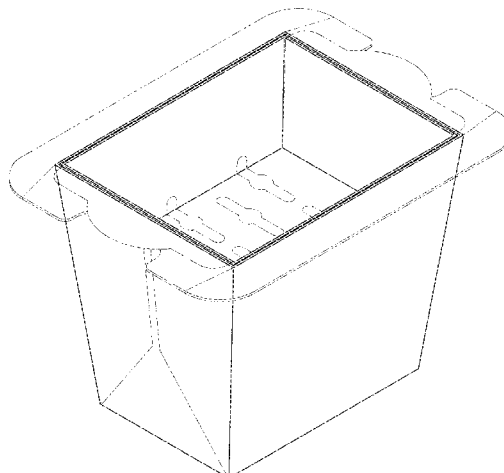
(56) **References Cited**

U.S. PATENT DOCUMENTS

113,893 A 4/1871 Joyce et al. 200/762
166,102 A 7/1875 Hennaman 220/525
177,593 A 5/1876 Skelline
181,823 A 9/1876 Cornwall 99/425

(Continued)

1 Claim, 5 Drawing Sheets



(56)

References Cited

U.S. PATENT DOCUMENTS

241,254 A	5/1881	Udell	3,286,832 A	11/1966	Pilger	206/56
254,770 A	3/1882	Hurd	3,287,140 A	11/1966	Brussell	
472,002 A	3/1892	Ross	3,293,048 A	12/1966	Kitterman	99/171
541,397 A	6/1895	Swartout	3,326,097 A	6/1967	Lokey	93/82
590,212 A	9/1897	Daesch	3,349,941 A	10/1967	Wanderer	220/23
637,838 A *	11/1899	Vernon	3,353,327 A	11/1967	Cutler et al.	53/28
851,983 A	4/1907	Entringer	3,353,707 A	11/1967	Eyles	206/519
899,244 A	9/1908	Chase	3,357,152 A	12/1967	Geigel	53/29
902,181 A	10/1908	Tidow	3,396,868 A	8/1968	Fitzgerald	206/508
948,198 A	2/1910	Wiegand	3,420,397 A	1/1969	Miller	220/203
952,572 A	3/1910	Meyer	3,421,654 A	1/1969	Hexel	
955,033 A	4/1910	Wing	3,424,342 A	1/1969	Scopp et al.	220/793
1,004,423 A	9/1911	Hanlon	3,445,050 A *	5/1969	Friehe et al.	220/23.88
1,099,603 A	6/1914	Ingersoll	3,447,714 A	6/1969	Elliot	206/1
1,263,004 A	4/1918	Tollagsen	3,489,075 A	1/1970	O'Reilly	99/450
1,341,960 A	6/1920	Meyer et al.	3,521,788 A	7/1970	Carter et al.	220/675
1,347,075 A	7/1920	Wittekind	3,547,661 A	12/1970	Stevenson	
1,476,910 A	12/1923	Naugle	3,608,770 A	9/1971	Naimoli	220/16
1,519,510 A	12/1924	Santarsiero	3,610,135 A	10/1971	Sheridan	
1,630,787 A	5/1927	Cullen	3,610,458 A	10/1971	Nissley	
1,765,862 A	6/1930	Clapp	3,615,646 A	10/1971	Neely et al.	
1,864,081 A	6/1932	Marr	3,620,834 A	11/1971	Duffy	117/213
1,906,592 A	5/1933	Hiester	3,637,132 A	1/1972	Gray	229/53
1,944,089 A	1/1934	Litchfield	3,638,784 A	2/1972	Bodolay et al.	206/45
1,985,978 A	5/1934	Thomas	3,641,926 A	2/1972	Williams et al.	99/448
2,021,465 A	11/1935	Ritscher	3,647,508 A	3/1972	Gorrell	117/38
2,039,374 A	5/1936	Young	3,669,688 A	6/1972	Thompson	
2,041,227 A	5/1936	Chalmers	3,718,480 A	2/1973	Tremblay et al.	
2,107,480 A	2/1938	Holton	3,741,427 A	6/1973	Doyle	220/573
2,149,872 A	3/1939	Schmidt	3,777,447 A	12/1973	Herbine et al.	53/36
2,200,977 A	5/1940	Baxter	3,811,374 A	5/1974	Mann	
2,271,921 A	2/1942	Luker	3,835,280 A	9/1974	Gades et al.	219/10
2,290,396 A	7/1942	Webster	3,836,042 A	9/1974	Petitto	
2,540,036 A	1/1951	Spencer	3,844,409 A	10/1974	Bodolay et al.	206/45
2,556,115 A	6/1951	Smith	3,851,574 A	12/1974	Katz et al.	426/107
2,559,101 A	7/1951	Wool	3,865,301 A	2/1975	Pothier et al.	
2,576,862 A	11/1951	Smith et al.	3,873,735 A	3/1975	Chalin et al.	426/87
2,591,578 A	4/1952	McNealy et al.	3,881,027 A	4/1975	Levinson	
2,600,566 A	6/1952	Moffett	3,884,213 A	5/1975	Smith	
2,650,485 A	9/1953	La Greca	3,884,383 A	5/1975	Burch et al.	220/675
2,660,529 A	11/1953	Bloom	3,893,567 A	7/1975	Davis et al.	206/520
2,667,422 A	1/1954	Kauffman	3,908,029 A	9/1975	Fredrickson	
2,673,805 A	3/1954	Colman	3,938,730 A	2/1976	Detzel et al.	229/120
2,673,806 A	3/1954	Colman	3,941,967 A	3/1976	Sumi et al.	
2,714,070 A	7/1955	Welch	3,956,866 A	5/1976	Lattur	53/29
2,741,559 A	4/1956	Banowitz	3,965,323 A	6/1976	Forker, Jr. et al.	
2,777,769 A	1/1957	Hodges	3,970,241 A	7/1976	Hanson	229/58
2,801,930 A	8/1957	Paulucci	3,973,045 A	8/1976	Brandberg et al.	426/110
2,805,392 A	9/1957	Schnoll	3,974,353 A	8/1976	Goltsos	
2,852,898 A	9/1958	Berg	3,975,552 A	8/1976	Stangroom	
2,858,970 A	11/1958	Barnes et al.	3,983,256 A	9/1976	Norris et al.	
2,865,768 A	12/1958	Barnes et al.	3,985,990 A	10/1976	Levinson	
D185,399 S	6/1959	Tupper	4,018,355 A	4/1977	Ando	220/522
2,960,218 A	11/1960	Cheeley	4,031,261 A	6/1977	Durst	
2,961,520 A	11/1960	Long	4,036,423 A	7/1977	Gordon	229/43
2,965,501 A	12/1960	Harriss	4,038,425 A	7/1977	Brandberg et al.	426/107
3,012,895 A	12/1961	Stelnicki	4,043,098 A	8/1977	Putnam, Jr. et al.	53/180 M
3,027,261 A	3/1962	Samara	4,065,583 A	12/1977	Ahlgren	
3,035,754 A	5/1962	Meister	4,077,853 A	3/1978	Coll-Palagos	204/20
3,052,554 A	9/1962	Colman	4,079,853 A	3/1978	Casutt	
3,068,779 A	12/1962	Eidlisz	4,082,184 A	4/1978	Hammer	206/519
3,070,275 A	12/1962	Bostrom	4,082,691 A	4/1978	Berger	
3,107,989 A	10/1963	Fesco	D248,215 S *	6/1978	Cherry	D9/418
3,109,359 A	11/1963	Falla	4,096,948 A	6/1978	Kuchenbecker	
3,141,400 A	7/1964	Powers	4,113,095 A	9/1978	Dietz et al.	
3,179,036 A	4/1965	Luker	4,118,913 A	10/1978	Putnam, Jr. et al.	53/551
3,191,520 A	6/1965	Halter	4,126,945 A	11/1978	Manser et al.	
3,219,460 A	11/1965	Brown	4,132,811 A	1/1979	Standing et al.	426/111
3,220,635 A	11/1965	Kasting et al.	4,133,896 A	1/1979	Standing et al.	
3,220,856 A	11/1965	Vischer	4,136,505 A	1/1979	Putnam, Jr. et al.	53/551
3,240,610 A	3/1966	Cease	4,138,054 A	2/1979	Spencer	229/23 BT
3,244,537 A	4/1966	Cease	4,140,889 A	2/1979	Mason et al.	
3,246,446 A	4/1966	Powers	4,154,860 A	5/1979	Daswick	
3,262,668 A	7/1966	Luker	4,156,806 A	5/1979	Teich et al.	219/10
3,271,169 A	9/1966	Baker et al.	4,164,174 A	8/1979	Wallsten	99/415
			4,171,605 A	10/1979	Putnam, Jr. et al.	53/552
			4,184,061 A	1/1980	Suzuki et al.	219/10
			4,186,217 A	1/1980	Tchack	426/523
			4,190,757 A	2/1980	Turpin et al.	219/10

(56)

References Cited

U.S. PATENT DOCUMENTS

4,196,331 A	4/1980	Leveckis et al.	219/10	4,705,927 A	11/1987	Levendusky et al.	219/10
D255,751 S	7/1980	Daenen	D7/667	4,713,510 A	12/1987	Quick et al.	219/10
4,219,573 A	8/1980	Borek	426/107	4,714,012 A	12/1987	Hernandez	99/444
4,228,945 A	10/1980	Wysocki		4,727,706 A	3/1988	Beer	53/434
4,230,767 A	10/1980	Isaka et al.	428/349	4,734,288 A	3/1988	Engstrom et al.	426/107
4,230,924 A	10/1980	Brastad et al.	219/10	4,738,882 A	4/1988	Rayford et al.	428/35
4,233,325 A	11/1980	Slangan et al.		4,739,698 A	4/1988	Allaire	99/410
4,241,563 A	12/1980	Müller et al.	53/511	4,739,898 A	4/1988	Brown	220/203
4,242,378 A	12/1980	Arai	427/264	4,745,249 A	5/1988	Daniels	
4,258,086 A	3/1981	Beall	219/10	4,777,053 A	10/1988	Tobelmann et al.	
4,264,668 A	4/1981	Balla	428/195	4,794,005 A	12/1988	Swiontek	
4,267,420 A	5/1981	Brastad	219/10	4,797,010 A	1/1989	Coelho	383/109
4,279,933 A	7/1981	Austin et al.	426/124	4,803,088 A	2/1989	Yamamoto et al.	426/107
4,280,032 A	7/1981	Levinson		4,804,582 A	2/1989	Noding et al.	428/332
4,283,427 A	8/1981	Winters et al.	426/107	4,806,718 A	2/1989	Seaborne et al.	219/10
4,291,520 A	9/1981	Prince et al.	53/551	4,808,780 A	2/1989	Seaborne	219/10
4,292,332 A	9/1981	McHam	426/111	4,810,845 A	3/1989	Seaborne	219/10
4,304,352 A	12/1981	Humphries	229/31 R	4,818,831 A	4/1989	Seaborne	219/10
4,306,133 A	12/1981	Levinson		4,825,025 A	4/1989	Seiferth	219/10
4,316,070 A	2/1982	Prosise et al.	219/10	4,842,876 A	6/1989	Anderson et al.	
4,317,017 A	2/1982	Bowen		4,846,350 A	7/1989	Sorensen	206/520
4,324,088 A	4/1982	Yamashita et al.	53/527	4,848,579 A	7/1989	Barnes et al.	
4,328,254 A	5/1982	Waldburger	426/393	4,851,246 A	7/1989	Maxwell et al.	426/107
4,335,291 A	6/1982	Ishino et al.	219/10	4,853,505 A	8/1989	Sorensen	
4,340,138 A	7/1982	Bernhardt	206/216	4,853,509 A	8/1989	Murakami	
4,345,133 A	8/1982	Cherney et al.	219/10	4,864,089 A	9/1989	Tighe et al.	219/10
4,348,421 A	9/1982	Sakakibara et al.	426/394	4,864,090 A	9/1989	Maxwell et al.	219/10
4,351,997 A	9/1982	Mattisson et al.		4,870,233 A	9/1989	McDonald et al.	
4,355,757 A	10/1982	Roccaforte	229/33	4,873,919 A	10/1989	Janssen	
4,373,511 A	2/1983	Miles et al.	126/369	4,883,936 A	11/1989	Maynard et al.	219/10
4,377,493 A	3/1983	Boylan et al.		D305,410 S	1/1990	Tyler	D9/425
4,389,438 A	6/1983	Ohtsuki et al.	428/35	4,892,744 A	1/1990	Ylvisaker	426/111
4,390,555 A	6/1983	Levinson		4,896,009 A	1/1990	Pawlowski	219/10
4,398,994 A	8/1983	Beckett	156/659	4,899,925 A	2/1990	Bowden et al.	
4,416,906 A	11/1983	Watkins		4,904,488 A	2/1990	LaBaw et al.	426/107
4,425,368 A	1/1984	Watkins		4,914,266 A	4/1990	Parks et al.	219/10
4,439,656 A	3/1984	Peleg		4,915,216 A	4/1990	Magers	206/520
4,453,665 A	6/1984	Roccaforte et al.	229/41 B	4,915,780 A	4/1990	Beckett	156/661
4,461,031 A	7/1984	Blamer	383/123	4,920,251 A	4/1990	Whitenack et al.	
4,477,705 A	10/1984	Danley et al.		4,922,079 A	5/1990	Bowen et al.	
4,478,349 A	10/1984	Haverland, Jr. et al.		4,923,704 A	5/1990	Levinson	
4,481,392 A	11/1984	Nibbe et al.		4,924,048 A	5/1990	Bunce et al.	
4,486,640 A	12/1984	Bowen et al.	219/729	4,935,592 A	6/1990	Oppenheimer	
4,493,685 A	1/1985	Blamer	493/235	4,939,332 A	7/1990	Hahn	
4,496,815 A	1/1985	Jorgensen		4,943,456 A	7/1990	Pollart et al.	428/34
4,517,045 A	5/1985	Beckett	156/345	4,948,932 A	8/1990	Clough	219/10
4,518,651 A	5/1985	Wolfe, Jr.	428/308	4,952,765 A	8/1990	Toyosawa	
4,529,089 A	7/1985	Gasbarra et al.	206/525	4,959,516 A	9/1990	Tighe et al.	219/10
4,532,397 A	7/1985	McClelland		4,960,598 A	10/1990	Swiontek	
D280,058 S	8/1985	Carlson	D7/629	4,961,944 A	10/1990	Matoba et al.	
4,535,889 A	8/1985	Terauds	206/527	4,963,708 A	10/1990	Kearns et al.	
4,552,614 A	11/1985	Beckett	156/640	D312,189 S	11/1990	Noel	
4,553,010 A	11/1985	Bohrer et al.	219/10	4,973,502 A	11/1990	Holz Müller et al.	
4,571,337 A	2/1986	Cage et al.	426/107	4,973,810 A	11/1990	Brauner	219/10
4,581,989 A	4/1986	Swartley	99/346	4,982,064 A	1/1991	Hartman et al.	219/10
4,584,202 A	4/1986	Roccaforte	426/111	4,987,280 A	1/1991	Kanafani et al.	
4,586,649 A	5/1986	Webinger	229/114	4,990,349 A	2/1991	Chawan et al.	
4,610,755 A	9/1986	Beckett	156/634	4,992,638 A	2/1991	Hewitt et al.	
4,612,431 A	9/1986	Brown et al.		5,011,299 A	4/1991	Black, Jr. et al.	383/126
4,626,352 A	12/1986	Massey et al.	210/469	5,025,715 A	6/1991	Sir	
4,640,838 A	2/1987	Isakson et al.	426/107	5,026,958 A	6/1991	Palacios	
4,641,005 A	2/1987	Seiferth	219/10	5,035,800 A	7/1991	Kopach	
4,648,549 A	3/1987	Trutna	229/143	5,038,009 A	8/1991	Babbitt	219/10
4,657,141 A	4/1987	Sorensen	206/519	5,039,001 A	8/1991	Kinigakis et al.	229/120
4,661,326 A	4/1987	Schainholz	422/310	5,041,295 A	8/1991	Perry et al.	
4,661,671 A	4/1987	Maroszek	219/10	5,044,777 A	9/1991	Watkins et al.	383/100
4,661,672 A	4/1987	Nakanaga		5,050,791 A	9/1991	Bowden et al.	
4,677,905 A	7/1987	Johnson	99/413	5,052,369 A	10/1991	Johnson	
4,678,882 A	7/1987	Bohrer et al.	219/10	5,057,331 A	10/1991	Levinson	426/243
D291,522 S	8/1987	Daenen et al.	D7/667	D321,302 S	11/1991	Zimmerman	
4,685,997 A	8/1987	Beckett	156/629	5,063,072 A	11/1991	Gillmore et al.	
4,697,703 A	10/1987	Will	206/438	5,075,526 A	12/1991	Sklenak et al.	
4,701,585 A	10/1987	Stewart	219/10	5,077,066 A	12/1991	Mattson et al.	
4,703,148 A	10/1987	Mikulski et al.		5,081,330 A	1/1992	Brandberg et al.	219/10
4,703,149 A	10/1987	Sugisawa et al.		5,094,865 A	3/1992	Levinson	
				5,095,186 A	3/1992	Russell et al.	219/10
				5,106,635 A	4/1992	McCutchan et al.	
				5,107,087 A	4/1992	Yamada et al.	
				5,108,768 A	4/1992	So	426/77

(56)

References Cited

U.S. PATENT DOCUMENTS

5,153,402 A	10/1992	Quick et al.	219/10	6,103,291 A	8/2000	Fernandez Tapia	426/523
5,176,284 A	1/1993	Sorensen	220/659	6,106,882 A	8/2000	Oh et al.	
5,189,947 A	3/1993	Yim	426/109	D432,414 S	10/2000	Simpson et al.	D9/711
5,190,777 A	3/1993	Anderson et al.		D432,914 S	10/2000	Hayes et al.	
5,195,829 A	3/1993	Watkins et al.	383/100	6,126,976 A	10/2000	Hasse, Jr. et al.	
5,200,590 A	4/1993	Bowen et al.	219/10	6,136,355 A	10/2000	Fukuyama	
D335,445 S	5/1993	Detert et al.	D9/761	D433,884 S	11/2000	Fujimoto	D7/667
D335,821 S	5/1993	Detert et al.	D9/761	6,147,337 A	11/2000	Besser	
D336,242 S	6/1993	Detert et al.	D9/761	6,150,646 A	11/2000	Lai et al.	
5,223,291 A	6/1993	Levinson et al.		6,168,044 B1	1/2001	Zettle et al.	220/784
5,230,914 A	7/1993	Akervik		6,175,105 B1	1/2001	Rubbright et al.	
5,241,149 A	8/1993	Watanabe et al.		6,180,148 B1	1/2001	Yajima	
D341,990 S	12/1993	Yim		6,180,150 B1	1/2001	Schäfer	
5,294,765 A	3/1994	Archibald et al.	219/727	6,183,789 B1	2/2001	Nilsson et al.	
5,298,708 A	3/1994	Babu et al.	219/728	6,187,354 B1	2/2001	Hopkins	
5,300,747 A	4/1994	Simon		6,192,792 B1	2/2001	Gremillion	
5,315,083 A	5/1994	Green		6,196,406 B1	3/2001	Ennis	
5,363,750 A	11/1994	Miller et al.	99/426	6,217,918 B1	4/2001	Oh et al.	
D353,303 S	12/1994	Davis		D441,597 S	5/2001	Wyche	
5,370,042 A	12/1994	Tolchin et al.		D442,425 S	5/2001	Wyche	
5,419,451 A	5/1995	Bitel, Jr.	220/306	6,229,131 B1	5/2001	Koochaki	
5,423,453 A	6/1995	Fritz		6,230,919 B1	5/2001	Guillin	220/315
5,520,301 A	5/1996	Sohn	220/265	D445,633 S	7/2001	Bradley	
D370,598 S	6/1996	Koch		D449,102 S	10/2001	Shin	D23/366
D371,963 S	7/1996	Ahern, Jr.		D449,495 S	10/2001	Tucker et al.	
5,540,381 A	7/1996	Davis	229/103	6,309,684 B2	10/2001	Hopkins, Sr.	426/234
5,558,798 A	9/1996	Tsai		6,394,337 B1	5/2002	Ross et al.	229/103
D376,512 S	12/1996	Klemme	D7/538	6,396,036 B1	5/2002	Hanson	219/727
5,588,587 A	12/1996	Stier et al.		6,422,453 B1	7/2002	Wang	
D378,565 S	3/1997	Cousins	D7/667	6,455,084 B2	9/2002	Johns	
D378,566 S	3/1997	Cousins	D7/667	6,463,844 B1	10/2002	Wang et al.	
5,645,300 A	7/1997	Hill		6,467,399 B1	10/2002	Boutte	
5,645,762 A	7/1997	Cook et al.		6,486,455 B1	11/2002	Merabet	
5,650,084 A	7/1997	Bley	219/727	D466,762 S	12/2002	Cote et al.	D7/545
D384,555 S	10/1997	Bradley		6,509,047 B2	1/2003	Edomwonyi	
5,674,546 A	10/1997	Barnes et al.		D470,768 S	2/2003	Melhede	D9/428
D386,042 S	11/1997	Miller		6,559,431 B2	5/2003	Hopkins	219/735
5,690,853 A	11/1997	Jackson et al.	219/727	6,565,910 B1	5/2003	Schell et al.	426/589
5,695,801 A	12/1997	Oh		D477,187 S	7/2003	McCallister et al.	
5,698,306 A	12/1997	Prorise et al.		6,608,292 B1	8/2003	Barnes	
5,704,485 A	1/1998	Cautereels et al.	206/546	6,612,482 B2	9/2003	Ross	229/103
5,718,933 A	2/1998	Fultz	426/115	6,645,539 B2	11/2003	Bukowski et al.	
D391,440 S	3/1998	Cousins	D7/360	D483,616 S	12/2003	Thonis	
5,726,426 A	3/1998	Davis et al.		D485,473 S	1/2004	Dais et al.	D7/629
5,741,534 A	4/1998	Chung		6,727,484 B2	4/2004	Policappelli	
5,747,086 A	5/1998	Bows et al.		6,803,551 B2	10/2004	Kim et al.	219/731
5,753,895 A	5/1998	Olson et al.	219/727	D497,774 S	11/2004	Smith et al.	D7/543
5,770,840 A	6/1998	Lorence		6,818,873 B2	11/2004	Savage et al.	
5,807,597 A	9/1998	Barnes et al.		6,840,159 B1	1/2005	Li	99/337
D405,561 S	2/1999	Willinger et al.	D30/129	D502,847 S	3/2005	Leonor	D7/667
5,866,041 A	2/1999	Svarz et al.		6,868,980 B2	3/2005	Schultz et al.	220/367
5,869,120 A	2/1999	Blazevich	426/132	D505,048 S	5/2005	Cornfield	D7/409
5,871,790 A	2/1999	Monier et al.	426/107	D505,590 S	5/2005	Greiner et al.	D7/409
5,876,811 A	3/1999	Blackwell et al.		D508,822 S	8/2005	Smith et al.	
5,900,264 A	5/1999	Gics		D513,942 S	1/2006	De Groote	D7/665
5,913,966 A	6/1999	Arnone et al.	99/413	7,008,214 B2	3/2006	Faddi	425/382 R
5,916,470 A	6/1999	Besser et al.		7,022,359 B2	4/2006	Montserrate Gibernau	
5,916,620 A	6/1999	Oh		7,025,213 B2	4/2006	Chen	210/474
5,925,281 A	7/1999	Levinson		D521,380 S	5/2006	Jackson et al.	
5,928,554 A	7/1999	Olson et al.	219/727	7,038,181 B2	5/2006	Edmark	
5,931,333 A	8/1999	Woodnorth et al.	220/573	7,045,190 B2	5/2006	Inagaki et al.	
5,961,872 A	10/1999	Simon et al.		D526,840 S	8/2006	Carlson	D7/392
5,970,858 A	10/1999	Boehm et al.	99/446	7,090,090 B2	8/2006	Ohyama	
5,974,953 A	11/1999	Messerli	99/340	D529,797 S	10/2006	Wilcox et al.	D9/428
5,986,248 A	11/1999	Matsumo et al.	219/728	D543,796 S	6/2007	Lion et al.	D7/667
5,988,045 A	11/1999	Housley		D552,433 S	10/2007	Stewart	D7/667
5,988,050 A	11/1999	Foster, Jr.	99/467	D557,982 S	12/2007	Ablo	D7/409
D418,017 S	12/1999	Henry		D558,536 S	1/2008	Curtin	D7/667
D419,371 S	1/2000	Haley	D7/392	D558,602 S	1/2008	Kissner et al.	D9/711
6,018,157 A	1/2000	Craft		D563,157 S	3/2008	Bouveret et al.	
6,042,856 A	3/2000	Sagan et al.	426/67	D564,287 S	3/2008	Bouveret et al.	
D422,176 S	4/2000	Laib	D7/392	D564,307 S	3/2008	Repp	D7/667
6,049,072 A	4/2000	Olson et al.	219/727	D571,656 S	6/2008	Maslowski	D9/425
6,085,930 A	7/2000	Curtis	220/371	D577,295 S	9/2008	Miller et al.	D9/711
6,097,017 A	8/2000	Pickford		D582,201 S	12/2008	Kellerman	
				D582,791 S	12/2008	Elmerhaus	D9/721
				7,468,498 B2	12/2008	Tuszkiewicz et al.	219/725
				D584,111 S	1/2009	Eide et al.	D7/667
				D584,145 S	1/2009	Young	

(56)

References Cited

U.S. PATENT DOCUMENTS

D590,663 S	4/2009	Simon et al.	
D591,591 S	5/2009	Moecks et al.	
D592,948 S	5/2009	Mayer	D9/418
D593,369 S	6/2009	Green et al.	D9/428
D594,328 S	6/2009	Shapiro et al.	D9/435
D598,717 S	8/2009	Jalet	D7/667
D607,095 S	12/2009	LeMay et al.	D23/366
D610,903 S	3/2010	Shapiro et al.	D9/428
D611,300 S	3/2010	Chen et al.	D7/409
D612,196 S	3/2010	Furlong	D7/392
D613,131 S	4/2010	Chen et al.	D7/667
D630,061 S	1/2011	Kellerman	
D630,507 S	1/2011	Short et al.	D9/427
D630,940 S	1/2011	Shapiro et al.	D9/428
D632,561 S	2/2011	Short et al.	D9/427
D633,810 S	3/2011	Jenkins	D9/721
D635,816 S	4/2011	France et al.	D7/354
D635,817 S	4/2011	France et al.	D7/354
D636,218 S	4/2011	France et al.	D7/354
7,977,612 B2	7/2011	Levy et al.	219/729
D653,495 S	2/2012	France et al.	D7/354
D680,426 S *	4/2013	Baker	D9/431
2001/0035402 A1	11/2001	Barrow	219/432
2001/0043971 A1	11/2001	Johns	
2001/0050002 A1	12/2001	Bonanno	
2002/0096450 A1	7/2002	Garst	206/516
2002/0110622 A1	8/2002	Lloyd et al.	426/115
2003/0003200 A1	1/2003	Bukowski et al.	
2003/0068411 A1	4/2003	McCallister	426/107
2003/0167932 A1	9/2003	Chen	
2003/0213718 A1	11/2003	Ducharme et al.	
2004/0058038 A1 *	3/2004	Lee	426/107
2004/0107637 A1	6/2004	Sieverding	47/83
2004/0121049 A1	6/2004	Ebner et al.	
2004/0164075 A1	8/2004	Henze et al.	219/740
2004/0216620 A1	11/2004	Quiggins et al.	
2004/0238438 A1	12/2004	Chen	210/474
2005/0040161 A1	2/2005	Lin et al.	
2005/0051549 A1	3/2005	Nelson	220/23
2005/0069602 A1	3/2005	Faddi	425/208
2005/0079250 A1	4/2005	Mao et al.	426/113
2005/0079252 A1	4/2005	Kendig et al.	426/125
2005/0082305 A1	4/2005	Dais et al.	
2005/0092762 A1	5/2005	Murat et al.	
2005/0109772 A1	5/2005	Thorpe et al.	
2005/0112243 A1	5/2005	Bellmann	426/106
2005/0115417 A1	6/2005	Murat et al.	99/413
2005/0208182 A1	9/2005	Gilbert et al.	426/87
2005/0220939 A1	10/2005	Morrow	426/86
2005/0229793 A1	10/2005	Wengrovsky	99/483
2005/0256060 A1	11/2005	Hilgers et al.	514/25
2005/0271776 A1	12/2005	Siegel	426/138
2005/0281921 A1	12/2005	Langston et al.	
2006/0013929 A1	1/2006	Morris et al.	
2006/0088678 A1	4/2006	Berrier et al.	
2006/0110498 A1	5/2006	Dellinger et al.	
2006/0118552 A1	6/2006	Tiefenback	
2006/0121168 A1	6/2006	Flaherty et al.	
2006/0151339 A1	7/2006	Bradley et al.	
2006/0236593 A1	10/2006	Cap	
2006/0260598 A1	11/2006	Bjork et al.	
2006/0289522 A1	12/2006	Middleton et al.	219/730
2007/0029314 A1	2/2007	Rodgers et al.	
2007/0059406 A1	3/2007	Shahsvarani	426/106
2007/0090103 A1	4/2007	France et al.	219/400
2007/0116806 A1	5/2007	Parsons	426/107
2007/0116807 A1 *	5/2007	Parsons	426/107
2007/0131679 A1	6/2007	Edwards et al.	
2007/0181008 A1	8/2007	Pawlick et al.	99/450
2007/0251874 A1	11/2007	Stewart	210/232
2008/0069485 A1	3/2008	France et al.	
2008/0138473 A1	6/2008	Pawlick et al.	
2008/0178744 A1	7/2008	Hill	99/323
2008/0210686 A1	9/2008	Shapiro et al.	
2009/0022858 A1	1/2009	Pawlick	

2009/0035433 A1	2/2009	France et al.	426/510
2009/0078125 A1	3/2009	Pawlick et al.	99/448
2009/0142455 A1	6/2009	Parsons	426/120
2010/0015293 A1 *	1/2010	Shapiro et al.	426/87

FOREIGN PATENT DOCUMENTS

EP	0326105 A1	8/1989
EP	0 449 643 A1	10/1991
EP	1 245 504 A1	10/2002
EP	1 352 841 A1	10/2003
EP	1 352 848 A1	10/2003
EP	1 514 804 A1	3/2005
EP	1 464 262 B1	7/2005
EP	1 612 150 A1	1/2006
EP	1 749 757 A2	2/2007
FR	2 631 315 A3	11/1989
FR	2 774 262 A1	8/1999
FR	2 846 196 A1	4/2004
FR	2 860 213	4/2005
FR	2 929 491	10/2009
GB	1 560 488	2/1980
GB	2 218 962 A	11/1989
GB	2 295 371 A	5/1996
GB	2 308 465 A	6/1997
GB	2 340 823 A	3/2000
JP	2-109882	4/1990
JP	4367476 A	12/1992
JP	06293366	10/1994
JP	09051767	2/1997
JP	10094370 A	4/1998
JP	10-129742	5/1998
JP	11113511	4/1999
JP	2001348074 A	12/2001
JP	2005059863 A	3/2005
JP	2005-312923	11/2005
JP	2006-034645	2/2006
JP	2010-189031	9/2010
MX	01011879 A	6/2002
SU	1149999 A	4/1985
WO	WO 86/00275	1/1986
WO	WO 96/07604	3/1996
WO	WO 98/33399	8/1998
WO	WO 99/59897	11/1999
WO	WO 02/051716	7/2002
WO	WO 03/086882 A1	10/2003
WO	WO 2004/045970 A1	6/2004
WO	WO 2006/098950 A2	9/2006
WO	WO 2006/128156 A2	11/2006
WO	WO 2006/136825 A1	12/2006
WO	WO 2007/003864 A2	1/2007
WO	WO 2008/109448 A2	9/2008
WO	WO 2008/109448 A3	9/2008
WO	WO 2009/097030 A1	8/2009
WO	WO 2009/136038 A1	11/2009

OTHER PUBLICATIONS

U.S. Official Action mailed Sep. 27, 2013, in U.S. Appl. No. 11/423,259.

U.S. Official Action mailed Sep. 19, 2013, in U.S. Appl. No. 12/471,114.

U.S. Notice of Allowance and Fee Due Mailed Nov. 30, 2012 in U.S. Appl. No. 29/424,416.

Succinylated Monoglycerides; <http://www.fao.org/ag/agn/jecfa-additives/specs/Monograph1/Additive-443.pdf>; 1982; obtained Sep. 14, 2012.

U.S. Official Action mailed Jul. 3, 2013, in U.S. Appl. No. 11/286,008.

U.S. Official Action mailed Aug. 21, 2013, in U.S. Appl. No. 11/890,297.

McCallister, "Microwaveable Pasta Product," U.S. Appl. No. 09/965,300, filed Sep. 28, 2001.

"Cafe Steamers," HealthyChoice.com, http://www.healthychoice.com/products/meals/cafe_steamers.jsp (Retrieved Aug. 2007), 1 pg.

"Ziploc® Containers With Snap'n'Seal Lids: Designed With You in Mind," brochure found at <http://www.ziploc.com/food-storage-containers/>, (Retrieved Nov. 14, 2005), 2 pgs.

(56)

References Cited

OTHER PUBLICATIONS

“Ziploc® Containers With Snap’n’Seal Lids: Storage Made Simpler!” brochure found at http://www.ziploc.com/new_containers.html, (Retrieved Nov. 14, 2005), 1 pg.

Anchor Hocking ’70 Catalog, p. 83, baking dishes at #4, 5 and 6 (Oct. 1970), 1 pg.

Photographs of a food tray available from Inter Frost GmbH at a trade show in Germany, Oct. 2005, 3 pgs.

http://www.unclebens.de/produkte/heiss_auf_reis/heiss_auf_reis_uebersicht.aspx, Mars Inc., 2006, 1 pg.

<http://www.pastanmoresale.com>, site accessed Jun. 15, 2010, 2 pgs. (now being sold at <http://pastaboat.com>).

Starmaid Microwave Steamer Jun. 26, 2006, [on line], retrieved on Oct. 13, 2011. Retrieved from the Internet: URL:<<http://www.flickr.com/photos/starmaid/5180282532/>>.

Progressive International Mini Steamer (on line), Jul. 18, 2006/ retrieved from the Internet at the URL listed in the column immediately following this column.

http://www.google.com/search?q=microwave+steamer&hl=en&biw=1291&bih=1015&sa=X&ei=OZuXTtqGMKbt0gMMyoHWBA&ved=0CAkQpwUoBg&Source=Int&tbs=cdr%3A1%2Ccd__min%3A%2Ccd__max%3A8%2F2%2F2007&tbn=#pq=microwave+steamer&hl=en&sugexp=gsih&cp=12&gs__id=9&xhr=t&q=microwave+mini+steamer&pf=p&sclient=psy-ab&biw=1291&bih=1015&tbs=img:1%2Ccdr%3A1%2Ccd__max%3A8%2F2%2F2006&

Mini Steamer—Progressive International / Starmaid vegetable steamer. [on line], retrieved Oct. 21, 2011. Retrieved from the Internet: URL:<http://www.campingcookwarepro.com/Progressive_International_Microwavable_Mini_Steamer>.

Tupperware India, Cook easy Microsteamer. The Hindu Business Line. [on line]. Jun. 26, 2003, retrieved on Oct. 21, 2011. Retrieved from the Internet: URL:<<http://www.thehindubusinessline.in/catalogst/2003/06/26/stories/2003062600070406.htm>>.

Microwave mini steamer, Lunch in a Box, [on line] Feb. 12, 2007, retrieved on Oct. 13, 2011. Retrieved from the Internet: URL:<<http://www.flickr.com/photos/24506652@N00/388209604/>>.

Microwave steamer 2, Oct. 16, 2006, [on line]. Retrieved from the Internet: URL:<<http://www.flickr.com/photos/momsinmind/271170248/>>.

U.S. Official Action Mailed Jan. 16, 2014, in U.S. Appl. No. 12/277,886.

U.S. Official Action Mailed Jan. 16, 2014, in U.S. Appl. No. 11/286,008.

U.S. Official Action Mailed Jan. 22, 2014, in U.S. Appl. No. 12/471,114.

U.S. Official Action Mailed Jan. 29, 2014, in U.S. Appl. No. 12/040,641.

“Propylene Glycol Monostearate”; *Hawley’s Condensed Chemical Dictionary Thirteenth Edition*; 1997.

U.S. Official Action mailed Jan. 24, 2013, in U.S. Appl. No. 12/471,114.

International Search Report mailed Dec. 4, 2013 in Application No. PCT/US2013/044064.

U.S. Official Action Mailed Mar. 21, 2014, in U.S. Appl. No. 11/703,066.

U.S. Official Action Mailed Apr. 14, 2014, in U.S. Appl. No. 11/423,259.

U.S. Official Action Mailed Apr. 21, 2014, in U.S. Appl. No. 11/424,520.

U.S. Official Action Mailed Jun. 16, 2014, in U.S. Appl. No. 12/277,886.

* cited by examiner

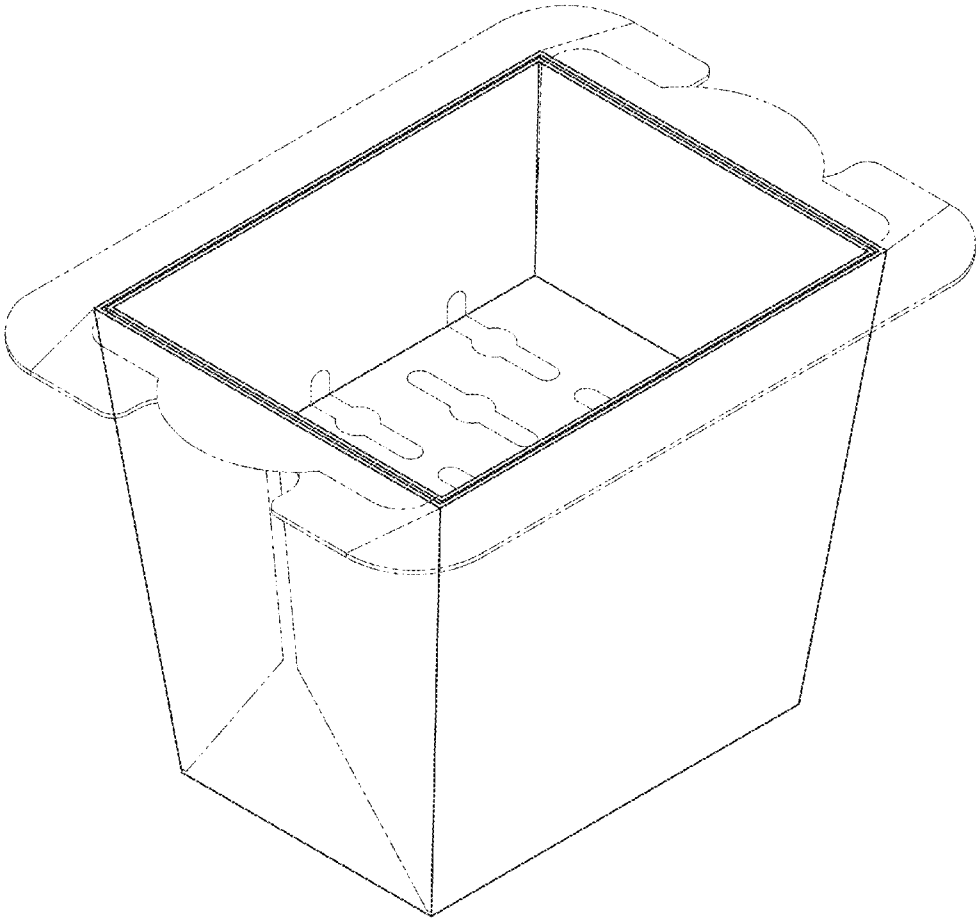


FIG. 1

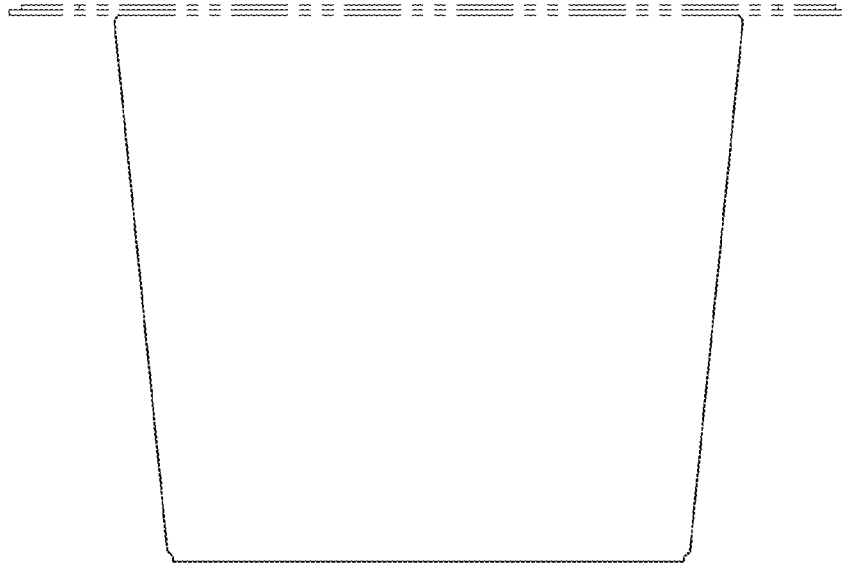


FIG. 2

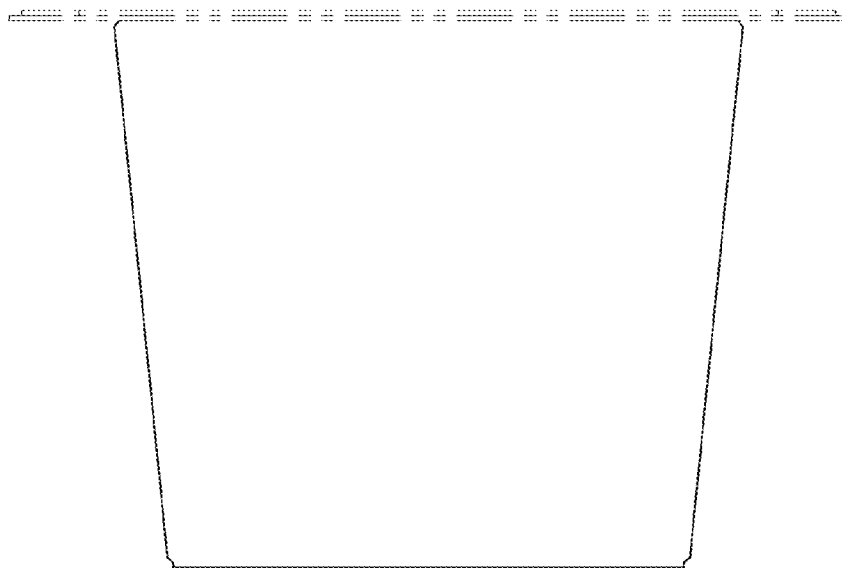


FIG. 3

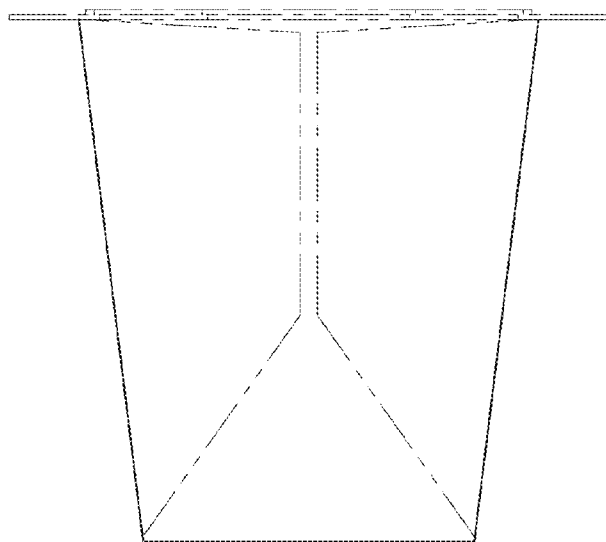


FIG. 4

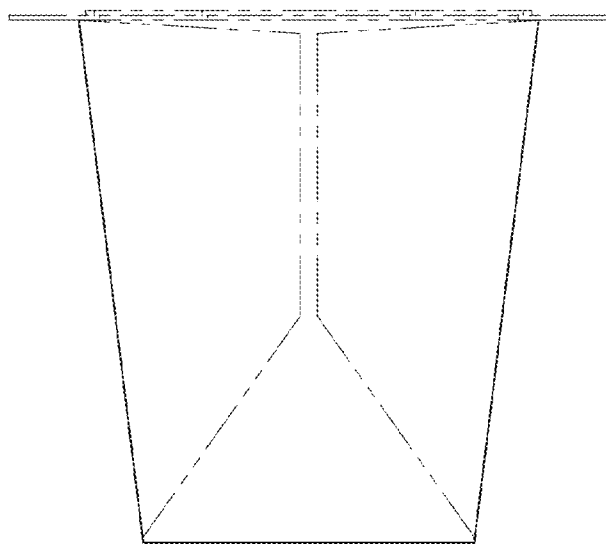


FIG. 5

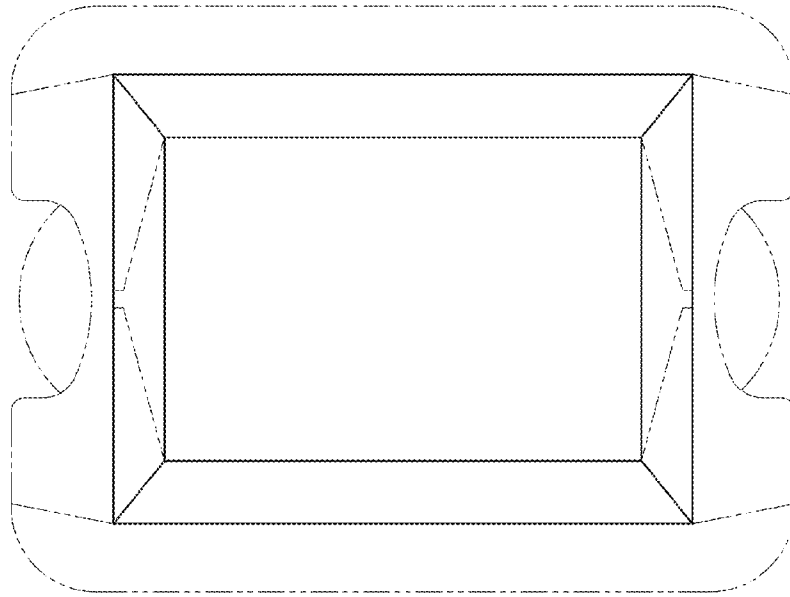


FIG. 6

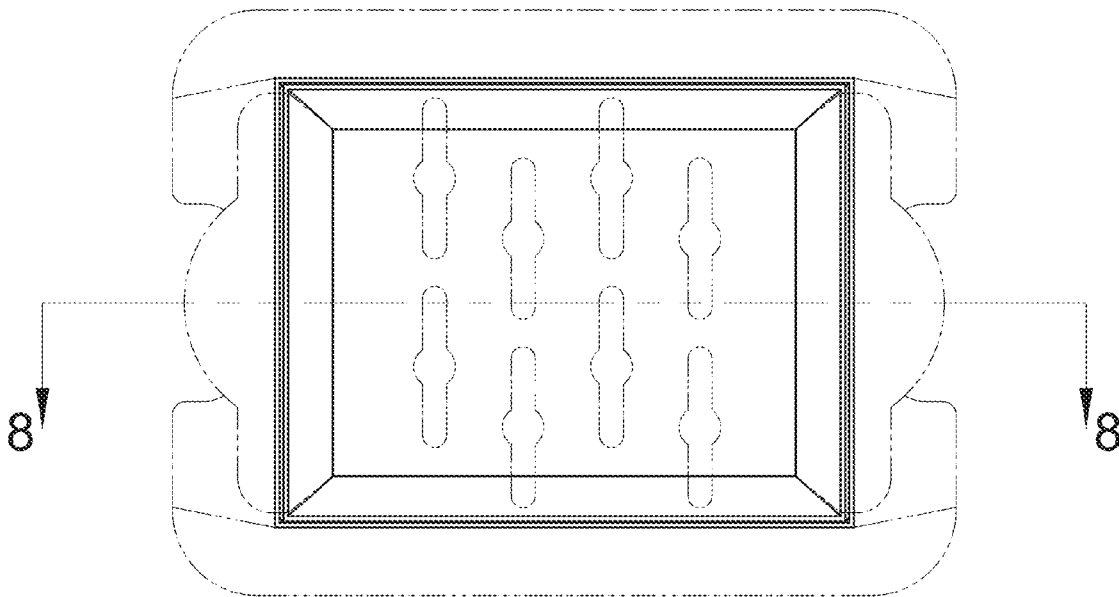


FIG. 7

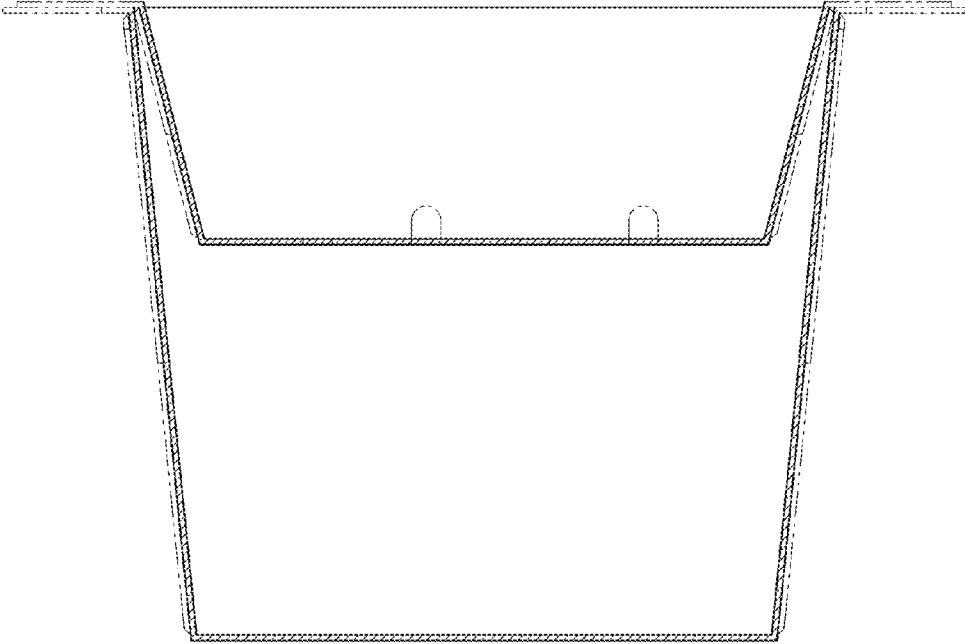


FIG. 8