

(19) World Intellectual Property Organization
International Bureau



(43) International Publication Date
30 August 2007 (30.08.2007)

PCT

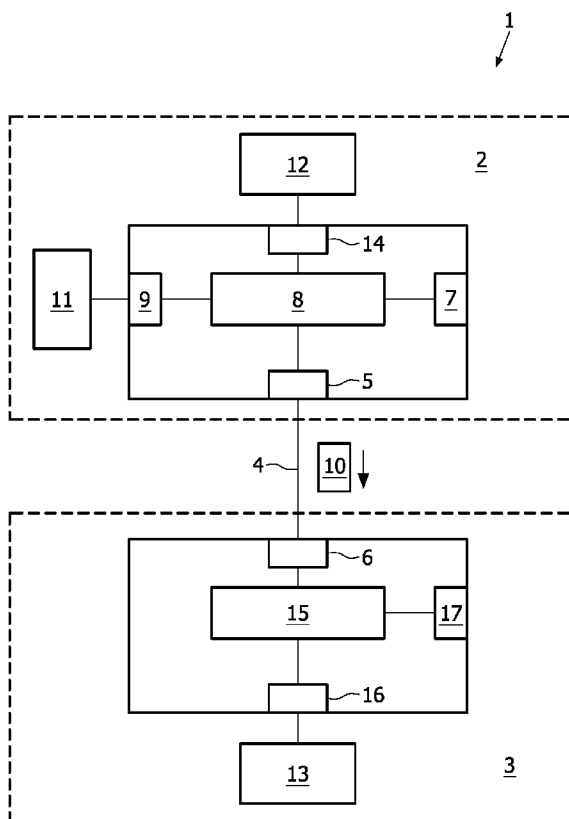
(10) International Publication Number
WO 2007/096802 A3

- (51) International Patent Classification:
G06F 3/14 (2006.01) A61B 5/00 (2006.01)
- (21) International Application Number:
PCT/IB2007/050426
- (22) International Filing Date: 9 February 2007 (09.02.2007)
- (25) Filing Language: English
- (26) Publication Language: English
- (30) Priority Data:
06110135.8 20 February 2006 (20.02.2006) EP
- (71) Applicant (for DE only): PHILIPS INTELLECTUAL
PROPERTY & STANDARDS GMBH [DE/DE];
Lübeckertordamm 5, 20099 Hamburg (DE).
- (71) Applicant (for all designated States except DE, US):
KONINKLIJKE PHILIPS ELECTRONICS N.V.
[NL/NL]; Groenewoudseweg 1, NL-5621 BA Eindhoven
(NL).

- (72) Inventors; and
- (75) Inventors/Applicants (for US only): GREINER, Har-
ald [DE/NL]; c/o Prof. Holstlaan 6, NL-5656 AA Eind-
hoven (NL). TESSEL, Uli [DE/NL]; c/o Prof. Holstlaan 6,
NL-5656 AA Eindhoven (NL). HASSING, Kai [DE/NL];
c/o Prof. Holstlaan 6, NL-5656 AA Eindhoven (NL).
- (74) Agent: SCHOUTEN, Marcus M.; Prof. Holstlaan 6,
NL-5656 AA Eindhoven (NL).
- (81) Designated States (unless otherwise indicated, for every
kind of national protection available): AE, AG, AL, AM,
AT, AU, AZ, BA, BB, BG, BR, BW, BY, BZ, CA, CH, CN,
CO, CR, CU, CZ, DE, DK, DM, DZ, EC, EE, EG, ES, FI,
GB, GD, GE, GH, GM, GT, HN, HR, HU, ID, IL, IN, IS,
JP, KE, KG, KM, KN, KP, KR, KZ, LA, LC, LK, LR, LS,
LT, LU, LV, LY, MA, MD, MG, MK, MN, MW, MX, MY,
MZ, NA, NG, NI, NO, NZ, OM, PG, PH, PL, PT, RO, RS,
RU, SC, SD, SE, SG, SK, SL, SM, SV, SY, TJ, TM, TN,
TR, TT, TZ, UA, UG, US, UZ, VC, VN, ZA, ZM, ZW.
- (84) Designated States (unless otherwise indicated, for every
kind of regional protection available): ARIPO (BW, GH,

[Continued on next page]

(54) Title: A METHOD OF DERIVING A GRAPHICAL REPRESENTATION OF DOMAIN-SPECIFIC DISPLAY OBJECTS ON AN EXTERNAL DISPLAY



(57) Abstract: Technique for deriving a graphical representation of domain-specific display- objects on an external display (13) within a patient-monitoring system (1), in which only a small amount of data has to be transmitted to the external display device (3) and at the same time the user of the external display (13) gets the same "look and feel" as he is used to from the built-in display (12) of a patient monitor (2).

WO 2007/096802 A3



GM, KE, LS, MW, MZ, NA, SD, SL, SZ, TZ, UG, ZM, ZW), Eurasian (AM, AZ, BY, KG, KZ, MD, RU, TJ, TM), European (AT, BE, BG, CH, CY, CZ, DE, DK, EE, ES, FI, FR, GB, GR, HU, IE, IS, IT, LT, LU, LV, MC, NL, PL, PT, RO, SE, SI, SK, TR), OAPI (BF, BJ, CF, CG, CI, CM, GA, GN, GQ, GW, ML, MR, NE, SN, TD, TG).

Published:

- *with international search report*
- *before the expiration of the time limit for amending the claims and to be republished in the event of receipt of amendments*

(88) Date of publication of the international search report:

27 March 2008

INTERNATIONAL SEARCH REPORT

International application No
PCT/IB2007/050426

A. CLASSIFICATION OF SUBJECT MATTER

INV. G06F3/14
ADD. A61B5/00

According to International Patent Classification (IPC) or to both national classification and IPC

B. FIELDS SEARCHED

Minimum documentation searched (classification system followed by classification symbols)
G06F A61B

Documentation searched other than minimum documentation to the extent that such documents are included in the fields searched

Electronic data base consulted during the international search (name of data base and, where practical, search terms used)

EPO-Internal

C. DOCUMENTS CONSIDERED TO BE RELEVANT

Category*	Citation of document, with indication, where appropriate, of the relevant passages	Relevant to claim No.
X	US 2001/037366 A1 (WEBB JAMES D [US] ET AL) 1 November 2001 (2001-11-01) paragraph [0039] - paragraph [0075] paragraph [0090] - paragraph [0092] figures 1,5,6	1-8
X	EP 1 051 945 A (REMOTE DIAGNOSTIC TECHNOLOGIES [GB]) 15 November 2000 (2000-11-15) paragraph [0024] - paragraph [0068] ----- -/--	4-8

 Further documents are listed in the continuation of Box C. See patent family annex.

* Special categories of cited documents :

A document defining the general state of the art which is not considered to be of particular relevance

E earlier document but published on or after the international filing date

L document which may throw doubts on priority claim(s) or which is cited to establish the publication date of another citation or other special reason (as specified)

O document referring to an oral disclosure, use, exhibition or other means

P document published prior to the international filing date but later than the priority date claimed

T later document published after the international filing date or priority date and not in conflict with the application but cited to understand the principle or theory underlying the invention

X document of particular relevance; the claimed invention cannot be considered novel or cannot be considered to involve an inventive step when the document is taken alone

Y document of particular relevance; the claimed invention cannot be considered to involve an inventive step when the document is combined with one or more other such documents, such combination being obvious to a person skilled in the art.

& document member of the same patent family

Date of the actual completion of the international search

19 December 2007

Date of mailing of the international search report

15/01/2008

Name and mailing address of the ISA/

European Patent Office, P.B. 5818 Patentlaan 2
NL - 2280 HV Rijswijk
Tel. (+31-70) 340-2040, Tx. 31 651 epo nl,
Fax: (+31-70) 340-3016

Authorized officer

Chen, Amy

INTERNATIONAL SEARCH REPORT

International application No
PCT/IB2007/050426

C(Continuation). DOCUMENTS CONSIDERED TO BE RELEVANT

Category*	Citation of document, with indication, where appropriate, of the relevant passages	Relevant to claim No.
X	US 2006/012612 A1 (JOHNSTON JAMES S [US] ET AL) 19 January 2006 (2006-01-19) paragraph [0001] - paragraph [0005] paragraph [0008] paragraph [0023] - paragraph [0057] figures claims 1,10,12	1-6
A	-----	7,8
X	US 6 222 558 B1 (BERG DAVID A [US]) 24 April 2001 (2001-04-24) column 2, line 14 - line 59 column 3, line 63 - column 9, line 21 figures 1-3	1-8
X	----- US 2002/054044 A1 (LU LEE-CHUNG [TW] ET AL) 9 May 2002 (2002-05-09) paragraph [0016] - paragraph [0037] figures -----	1,4

INTERNATIONAL SEARCH REPORT

Information on patent family members

International application No

PCT/IB2007/050426

Patent document cited in search report	Publication date	Patent family member(s)	Publication date
US 2001037366	A1	01-11-2001 NONE	
EP 1051945	A	15-11-2000 US 6599241 B1	29-07-2003
US 2006012612	A1	19-01-2006 CN 1713169 A	28-12-2005
US 6222558	B1	24-04-2001 NONE	
US 2002054044	A1	09-05-2002 TW 525082 B	21-03-2003