

(12) INTERNATIONAL APPLICATION PUBLISHED UNDER THE PATENT COOPERATION TREATY (PCT)

(19) World Intellectual Property Organization
International Bureau



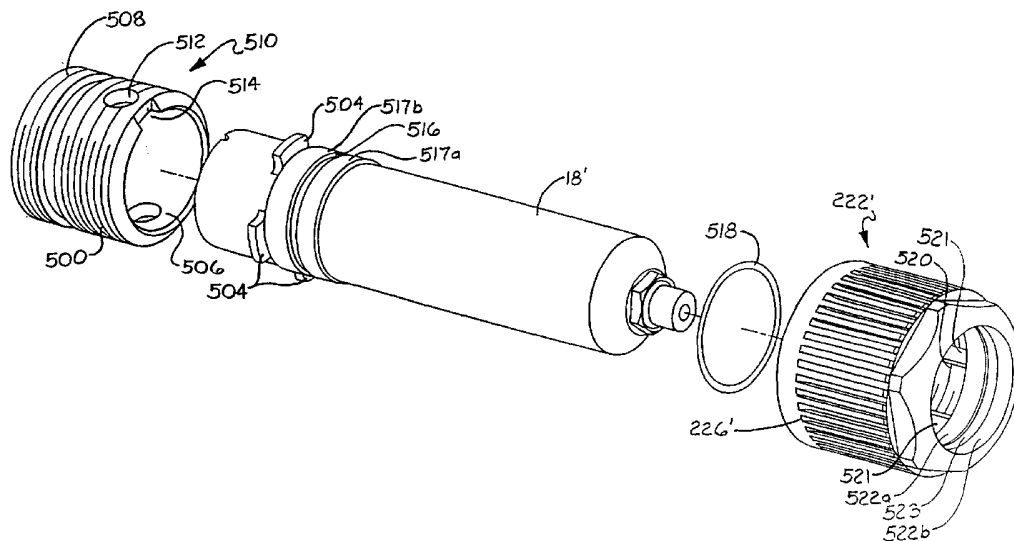
(43) International Publication Date
12 December 2002 (12.12.2002)

PCT

(10) International Publication Number
WO 02/098585 A3

- (51) International Patent Classification⁷: **B21J 15/30**, 15/04, 15/06
- (21) International Application Number: PCT/US02/16662
- (22) International Filing Date: 29 May 2002 (29.05.2002)
- (25) Filing Language: English
- (26) Publication Language: English
- (30) Priority Data:
09/873,619 4 June 2001 (04.06.2001) US
- (71) Applicant: **EMHART LLC** [US/US]; Drummond Plaza Office Park, 1423 Kirkwood Highway, Newark, DE 19711 (US).
- (72) Inventors: **ZIRPS, Christopher, T.**; 19 Briar Hill Road, Sharon, MA 02067 (US). **KINSLEY, Joshua, P.**; 179 Brattle Street, Arlington, MA 02474 (US). **DONOFRIO, Donald, J.**; Apartment 2B, 670 Mix Ave., Hamden, CT 06514 (US). **KOMSTA, Theodore, S.**; 134 Spring Glen, Shelton, CT 06484 (US). **BANDUCCI, David, J.**; 11 Delta Drive, Saunderstown, RI 02874 (US).
- (74) Agents: **MASSEY, Ryan, W.** et al.; Harness, Dickey & Pierce, P.L.C., P.O. Box 828, Bloomfield Hills, MI 48303 (US).
- (81) Designated States (*national*): CZ, JP.
- (84) Designated States (*regional*): European patent (AT, BE, CH, CY, DE, DK, ES, FI, FR, GB, GR, IE, IT, LU, MC, NL, PT, SE, TR).
- Declaration under Rule 4.17:**
— *as to applicant's entitlement to apply for and be granted a patent (Rule 4.17(ii)) for all designations*
- Published:**
— *with international search report*
— *before the expiration of the time limit for amending the claims and to be republished in the event of receipt of amendments*
- (88) Date of publication of the international search report:**
20 February 2003
- For two-letter codes and other abbreviations, refer to the "Guidance Notes on Codes and Abbreviations" appearing at the beginning of each regular issue of the PCT Gazette.*

(54) Title: RIVET SETTING TOOL WITH NOSE HOUSING QUICK CONNECT



(57) Abstract: A rivet setting tool is provided with a quick connect nose housing (18, 18). The quick connect feature allows for quicker easier disassembly and assembly of the nose housing (18, 18) for cleaning and general maintenance.



WO 02/098585 A3

INTERNATIONAL SEARCH REPORT

International Application No
PCT/US 02/16662

A. CLASSIFICATION OF SUBJECT MATTER
IPC 7 B21J15/30 B21J15/04 B21J15/06

According to International Patent Classification (IPC) or to both national classification and IPC

B. FIELDS SEARCHED

Minimum documentation searched (classification system followed by classification symbols)
IPC 7 B21J

Documentation searched other than minimum documentation to the extent that such documents are included in the fields searched

Electronic data base consulted during the international search (name of data base and, where practical, search terms used)

EPO-Internal

C. DOCUMENTS CONSIDERED TO BE RELEVANT

Category *	Citation of document, with indication, where appropriate, of the relevant passages	Relevant to claim No.
Y	US 5 357 666 A (EL DESSOUKY AHMED A ET AL) 25 October 1994 (1994-10-25) column 5, line 10 - line 47; figures 3-6 ---	1,6
Y	US 5 490 311 A (ROSIER HENDRIK E) 13 February 1996 (1996-02-13) column 7, line 26 - line 46; figure 2 ---	1
Y	US 3 309 911 A (SIMMONS WALTER R) 21 March 1967 (1967-03-21) column 3, line 11 - line 31; figure 1 ---	1,6
A	DE 39 17 507 A (FRAUNHOFER GES FORSCHUNG) 14 February 1991 (1991-02-14) column 1, line 58 - line 66 column 2, line 4 - line 18 column 3, line 35 - line 49 -----	1

Further documents are listed in the continuation of box C.

Patent family members are listed in annex.

* Special categories of cited documents :

"A" document defining the general state of the art which is not considered to be of particular relevance
"E" earlier document but published on or after the international filing date
"L" document which may throw doubts on priority claim(s) or which is cited to establish the publication date of another citation or other special reason (as specified)
"O" document referring to an oral disclosure, use, exhibition or other means
"P" document published prior to the international filing date but later than the priority date claimed

"T" later document published after the international filing date or priority date and not in conflict with the application but cited to understand the principle or theory underlying the invention
"X" document of particular relevance; the claimed invention cannot be considered novel or cannot be considered to involve an inventive step when the document is taken alone
"Y" document of particular relevance; the claimed invention cannot be considered to involve an inventive step when the document is combined with one or more other such documents, such combination being obvious to a person skilled in the art.
"&" document member of the same patent family

Date of the actual completion of the international search

19 August 2002

Date of mailing of the international search report

10.12.02

Name and mailing address of the ISA

European Patent Office, P.B. 5818 Patentlaan 2
NL - 2280 HV Rijswijk
Tel. (+31-70) 340-2040, Tx. 31 651 epo nl,
Fax: (+31-70) 340-3016

Authorized officer

Ritter, F

INTERNATIONAL SEARCH REPORT

national application No.
PCT/US 02/16662

Box I Observations where certain claims were found unsearchable (Continuation of item 1 of first sheet)

This International Search Report has not been established in respect of certain claims under Article 17(2)(a) for the following reasons:

1. Claims Nos.:
because they relate to subject matter not required to be searched by this Authority, namely:

2. Claims Nos.:
because they relate to parts of the International Application that do not comply with the prescribed requirements to such an extent that no meaningful International Search can be carried out, specifically:

3. Claims Nos.:
because they are dependent claims and are not drafted in accordance with the second and third sentences of Rule 6.4(a).

Box II Observations where unity of invention is lacking (Continuation of item 2 of first sheet)

This International Searching Authority found multiple inventions in this international application, as follows:

see additional sheet

1. As all required additional search fees were timely paid by the applicant, this International Search Report covers all searchable claims.

2. As all searchable claims could be searched without effort justifying an additional fee, this Authority did not invite payment of any additional fee.

3. As only some of the required additional search fees were timely paid by the applicant, this International Search Report covers only those claims for which fees were paid, specifically claims Nos.:

4. No required additional search fees were timely paid by the applicant. Consequently, this International Search Report is restricted to the invention first mentioned in the claims; it is covered by claims Nos.:

1-6

Remark on Protest

- The additional search fees were accompanied by the applicant's protest.
- No protest accompanied the payment of additional search fees.

FURTHER INFORMATION CONTINUED FROM PCT/ISA/ 210

This International Searching Authority found multiple (groups of) inventions in this international application, as follows:

1. Claims: 1-6

The subject-matter of independent claim 1 is a rivet setting tool. The problem to be solved by the features of claim 1 consists in the provision of a quick connect feature between the nose housing and the housing member, which enables a quick change of the nose housing.

2. Claims: 7-13

The subject-matter of independent claim 7 is a rivet setting tool. The problem to be solved by the features of claim 7 consists in a quick removal and replacement of the jaw guide member for varying rivet types or for cleaning.

3. Claims: 14-18

The subject-matter of independent claim 14 is a rivet setting tool. The problem to be solved by the features of claim 14 consists in the provision of a non-rotational connection between the nose housing and the housing member.

INTERNATIONAL SEARCH REPORT

Information on patent family members

International Application No

PCT/US 02/16662

Patent document cited in search report		Publication date	Patent family member(s)	Publication date
US 5357666	A	25-10-1994	NONE	
US 5490311	A	13-02-1996	CA 2199507 A1 EP 0804303 A1 JP 10505005 T WO 9607494 A1	14-03-1996 05-11-1997 19-05-1998 14-03-1996
US 3309911	A	21-03-1967	BE 665066 A CH 450872 A DE 1527234 A1 GB 1097343 A NL 6507162 A SE 313721 B	30-04-1968 16-07-1970 03-01-1968 09-12-1965 18-08-1969
DE 3917507	A	14-02-1991	DE 3917507 A1	14-02-1991