



US00D790031S

(12) **United States Design Patent**
Hall

(10) **Patent No.:** **US D790,031 S**

(45) **Date of Patent:** **** Jun. 20, 2017**

(54) **FISH TAPE LEADER**

(71) Applicant: **Marie Hall**, Conyers, GA (US)

(72) Inventor: **Clarence Hall**, Conyers, GA (US)

(**) Term: **15 Years**

(21) Appl. No.: **29/533,109**

(22) Filed: **Jul. 14, 2015**

(51) **LOC (10) Cl.** **22-05**

(52) **U.S. Cl.**
USPC **D22/134**

(58) **Field of Classification Search**
USPC D21/473, 474, 803; D22/121, 125, 126,
D22/136, 137, 146; D32/29.37, 53
CPC A01K 97/00; A01K 97/02; A01K 97/04;
B63B 17/00; A01G 31/02; B65D 25/00;
B65G 45/04

See application file for complete search history.

2003/0046857 A1* 3/2003 Paulsen A01K 95/00
43/42.06

2004/0068916 A1* 4/2004 Harris A01K 97/02
43/44.99

2007/0147173 A1* 6/2007 Park G01S 7/521
367/107

2007/0180758 A1* 8/2007 Patton A01K 91/06
43/44.92

2008/0022579 A1* 1/2008 Osenbach A01K 91/02
43/43.1

2008/0236020 A1* 10/2008 Murrell A01K 83/06
43/4.5

2013/0049237 A1* 2/2013 Al-Anzi A01K 61/02
261/120

2014/0027358 A1* 1/2014 Sayre C02F 1/688
210/85

* cited by examiner

Primary Examiner — Manpreet Matharu

Assistant Examiner — Suzanne Tisdell

(74) *Attorney, Agent, or Firm* — Michael J. Bootcheck, LLC

(56) **References Cited**

U.S. PATENT DOCUMENTS

2,534,709 A * 12/1950 Goertzen A01K 75/02
362/203

2,614,358 A * 10/1952 Adams A01K 97/02
43/43.1

D300,344 S * 3/1989 Boulette, III D22/126

D302,842 S * 8/1989 Holzman D22/129

5,031,351 A * 7/1991 Rogel A01K 95/00
43/43.12

D442,256 S * 5/2001 Haney D22/146

D466,582 S * 12/2002 Haney D22/146

D562,934 S * 2/2008 Haney D22/146

D616,524 S * 5/2010 Haroian D22/134

D691,694 S * 10/2013 Marshall D22/126

D747,434 S * 1/2016 Gibbs D22/126

(57) **CLAIM**

The ornamental design for a fish tape leader, as shown and described.

DESCRIPTION

FIG. 1 is a perspective view of the fish tape leader with a tape extending therefrom;

FIG. 2 is an exploded perspective view thereof;

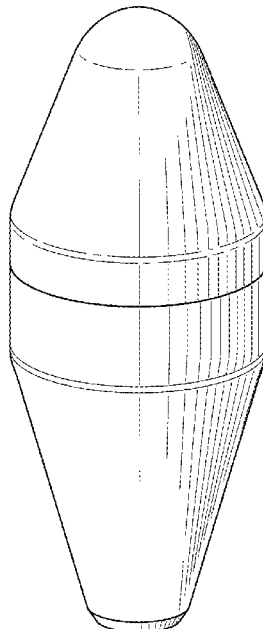
FIG. 3 is a side view thereof;

FIG. 4 is a front view thereof; and,

FIG. 5 is a rear view thereof.

The broken lines shown represent unclaimed subject matter and form no part of the claimed design.

1 Claim, 2 Drawing Sheets



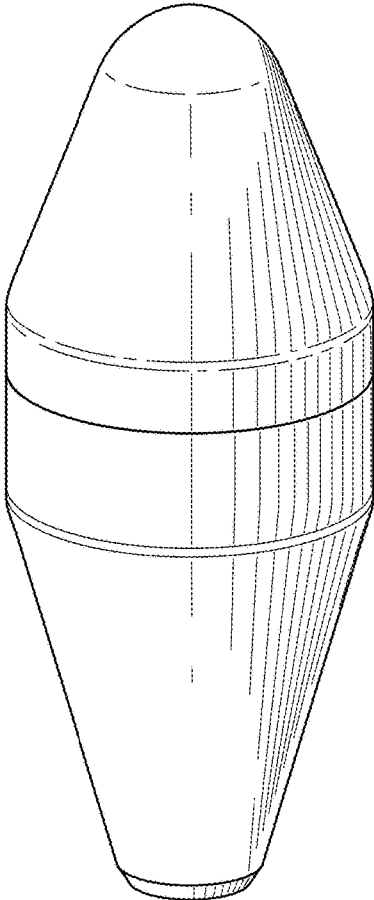


FIG. 1

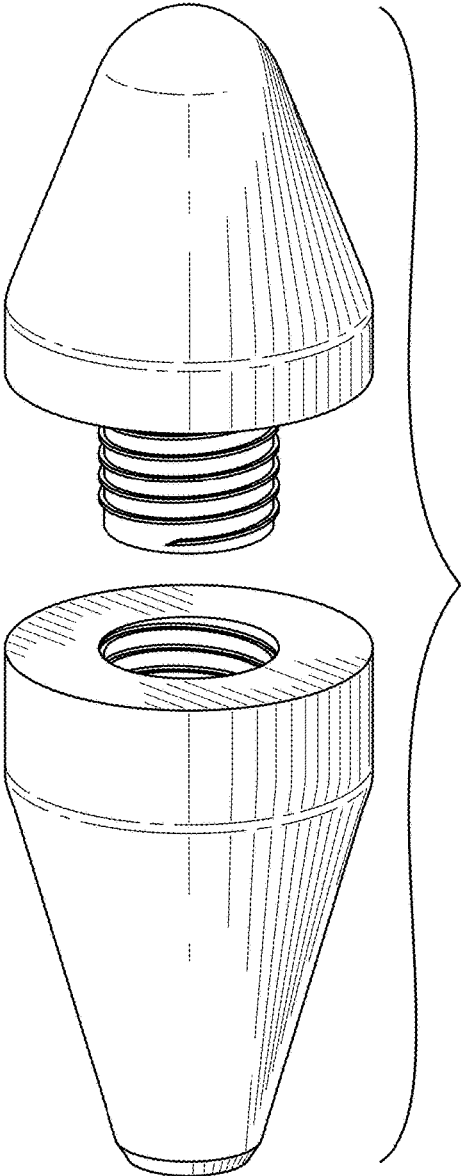


FIG. 2

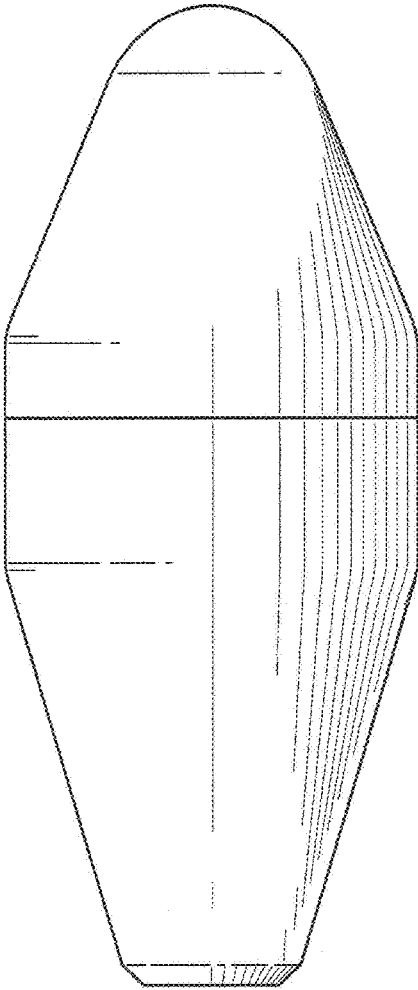


FIG. 3

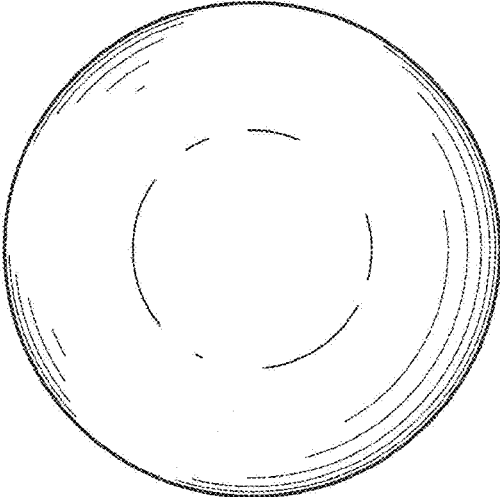


FIG. 4

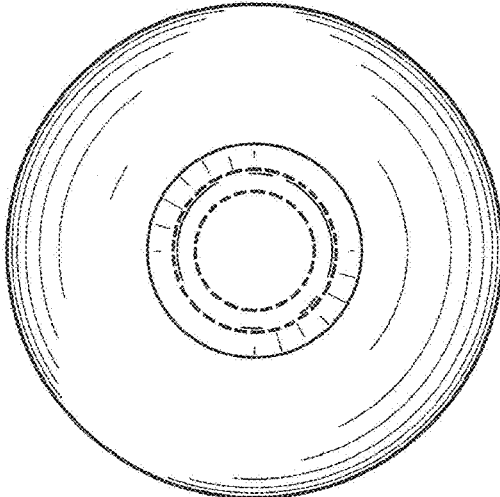


FIG. 5