



US00D749752S

(12) **United States Design Patent**
MacDonald et al.

(10) **Patent No.:** **US D749,752 S**

(45) **Date of Patent:** **** Feb. 16, 2016**

(54) **WALL**

(71) Applicant: **Keystone Retaining Wall Systems LLC**, Minneapolis, MN (US)

(72) Inventors: **Robert A. MacDonald**, Plymouth, MN (US); **Thomas S. Riccobene**, Albuquerque, NM (US)

(73) Assignee: **KEYSTONE RETAINING WALL SYSTEMS LLC**, Minneapolis, MN (US)

(**) Term: **14 Years**

(21) Appl. No.: **29/507,326**

(22) Filed: **Oct. 27, 2014**

Related U.S. Application Data

(62) Division of application No. 29/439,092, filed on Dec. 6, 2012, now Pat. No. Des. 720,087.

(51) **LOC (10) Cl.** **25-01**

(52) **U.S. Cl.**
USPC **D25/160**

(58) **Field of Classification Search**
USPC D25/113, 157, 158, 163, 160; 405/284, 405/286; 52/311.1, 609, 612
CPC E01F 8/0005; E02D 29/02; E02D 29/025; E02D 29/0275; E02D 29/0216
See application file for complete search history.

(56) **References Cited**

U.S. PATENT DOCUMENTS

730,150 A 6/1903 Pfahl
1,464,423 A 8/1923 Hardoncourt, Jr.

(Continued)

FOREIGN PATENT DOCUMENTS

TW 136236 D 8/2010
TW 136239 D 8/2010
TW 136240 D 8/2011

OTHER PUBLICATIONS

"Imagine the Possibilities" 2007 Keystone Retaining Wall Systems Inc. brochure.

(Continued)

Primary Examiner — Doris Clark

(74) *Attorney, Agent, or Firm* — Greer, Burns & Crain, Ltd.

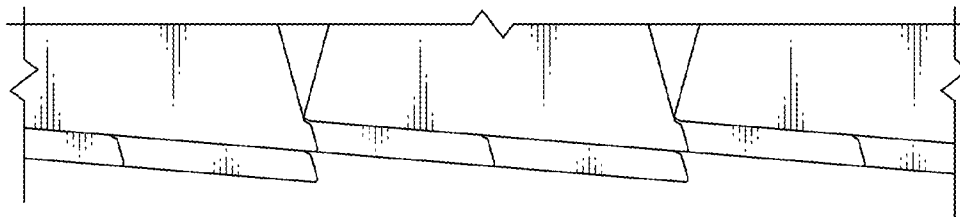
(57) **CLAIM**

The ornamental design for a wall, as shown and described.

DESCRIPTION

FIG. 1 is a front elevation view of a wall.
FIG. 2 is a cross sectional view taken along line 2-2 of FIG. 1.
FIG. 3 is a cross sectional view taken along line 3-3 of FIG. 1.
FIG. 4 is a right front perspective view of the broken circular line portion of the wall in FIG. 1.
FIG. 5 is a left front perspective view of the broken circular line portion of the wall in FIG. 1.
FIG. 6 is a front elevation view of a second embodiment of a wall.
FIG. 7 is a cross sectional view taken along line 7-7 of FIG. 6.
FIG. 8 is a cross sectional view taken along line 8-8 of FIG. 6.
FIG. 9 is a right front perspective view of the broken circular line portion of the wall in FIG. 6; and,
FIG. 10 is a left front perspective view of the broken circular line portion of the wall in FIG. 6.
The drawings show two embodiments of the design. FIGS. 1 to 5 show the first embodiment, in which the front surface of the wall is smooth. FIGS. 6-10 show a second embodiment, which is a reversed configuration of the first embodiment.

1 Claim, 4 Drawing Sheets



(56)

References Cited

U.S. PATENT DOCUMENTS

1,773,686 A 9/1928 Linde
 2,271,728 A 9/1940 Bainbridge
 3,394,521 A 7/1968 Coleman
 3,906,665 A 9/1975 Medlin
 D297,767 S 9/1988 Forsberg
 4,920,712 A 5/1990 Dean, Jr.
 D321,060 S 10/1991 Blomquist et al.
 5,214,898 A 6/1993 Beretta
 5,466,089 A 11/1995 Jurik
 5,535,563 A 7/1996 Brown et al.
 5,700,983 A 12/1997 VonDross
 5,732,518 A 3/1998 Roberts
 5,765,970 A 6/1998 Fox
 5,951,210 A 9/1999 Maguire et al.
 6,019,550 A 2/2000 Wrigley et al.
 D447,573 S 9/2001 Blomquist et al.
 D453,577 S 2/2002 Ohanesian
 6,398,458 B1 6/2002 Pacitto et al.
 6,447,213 B1 9/2002 MacDonald
 D467,009 S 12/2002 Agee
 D477,092 S * 7/2003 Crawley D25/160
 6,612,784 B2 9/2003 Rainey et al.
 6,615,561 B2 9/2003 MacDonald et al.
 6,701,687 B1 3/2004 Shillingburg
 6,705,797 B1 3/2004 Wada
 6,715,965 B2 4/2004 Manthei et al.
 6,854,702 B2 2/2005 Manthei et al.
 6,874,293 B2 4/2005 Manthei
 6,912,823 B2 7/2005 MacDonald et al.
 7,011,474 B2 3/2006 MacDonald
 7,048,472 B2 5/2006 Woolford et al.
 D539,930 S 4/2007 Magliocco et al.
 7,328,537 B2 2/2008 Hammer

7,448,830 B2 11/2008 MacDonald et al.
 7,743,574 B2 6/2010 Tufts et al.
 D624,666 S 9/2010 LaCroix et al.
 7,849,656 B2 12/2010 Mugge et al.
 D633,629 S 3/2011 MacDonald et al.
 7,918,628 B1 4/2011 Siver et al.
 D645,166 S 9/2011 Friedman
 D647,218 S 10/2011 MacDonald
 D647,219 S 10/2011 MacDonald
 D665,514 S 8/2012 MacDonald
 D665,515 S 8/2012 MacDonald
 2002/0001509 A1 1/2002 Hong
 2003/0041546 A1 3/2003 Bott et al.
 2003/0074856 A1 4/2003 Hammer
 2005/0102949 A1 5/2005 Whitson
 2006/0117697 A1 6/2006 Adam
 2007/0234665 A1 10/2007 Price
 2008/0159815 A1 7/2008 Manthei et al.
 2008/0187402 A1 * 8/2008 Jennings E02D 29/02
 405/284
 2008/0277561 A1 11/2008 MacDonald
 2011/0217127 A1 9/2011 MacDonald
 2012/0063853 A1 * 3/2012 Bott E02D 29/025
 405/284
 2013/0034392 A1 2/2013 Ferraiolo

OTHER PUBLICATIONS

Search Report from International Application No. PCT/US 12/56071; Dec. 17, 2012.
 Taiwanese Office Action for Application No. 102303983 dated Dec. 6, 2012.
 "Retaining Walls You Can Install Yourself", 2002 Pavestone Concrete brochure.

* cited by examiner

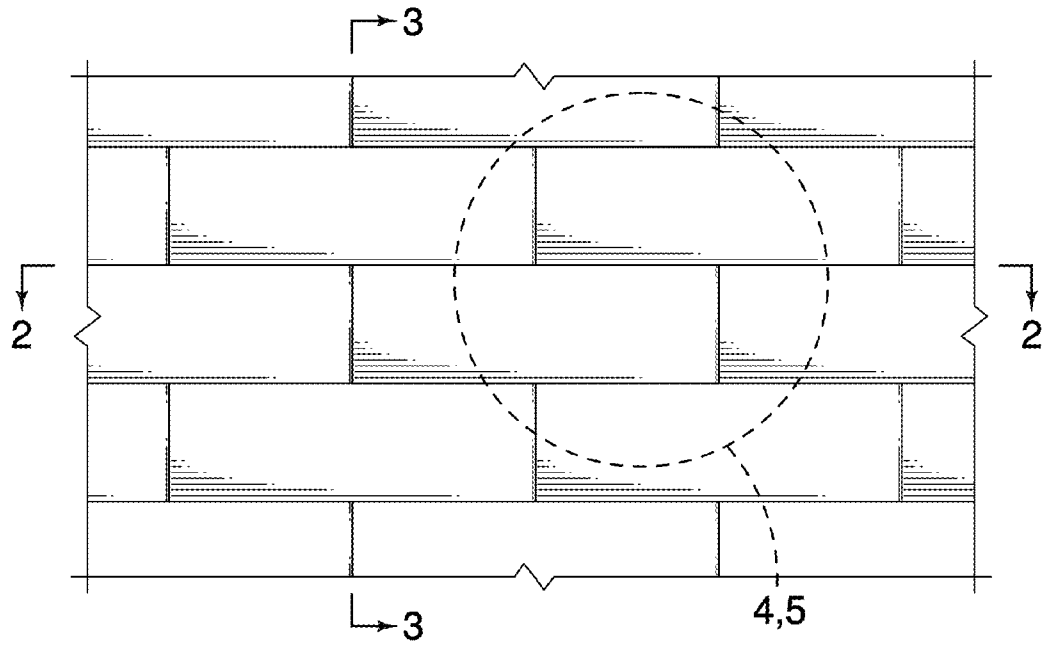


FIG. 1

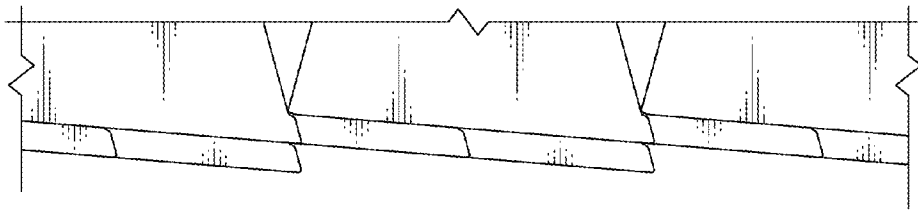


FIG. 2

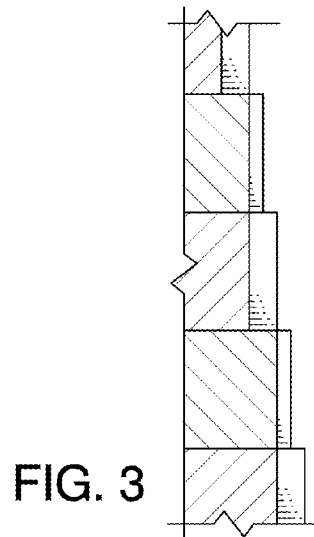


FIG. 3

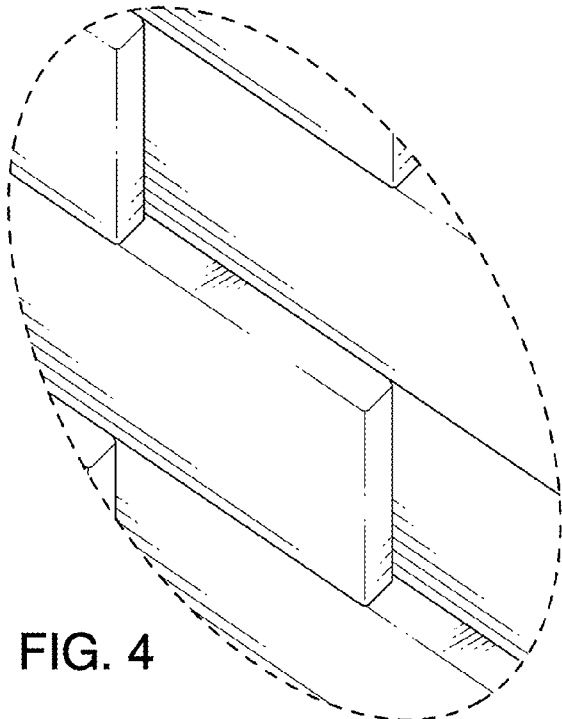


FIG. 4

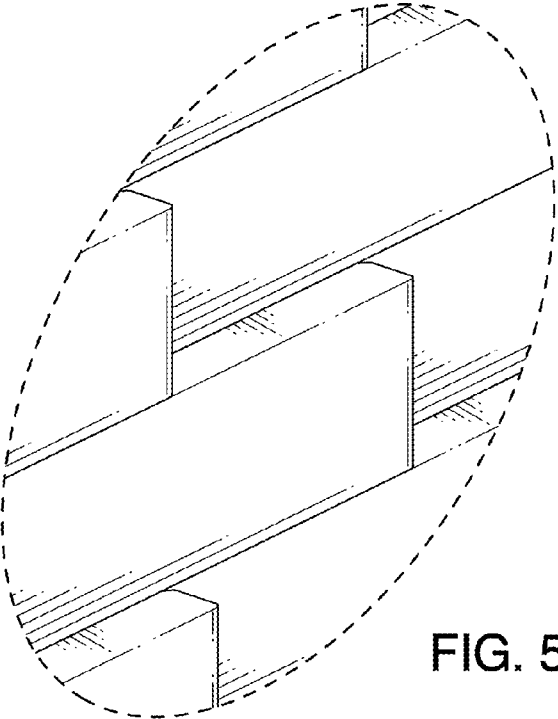


FIG. 5

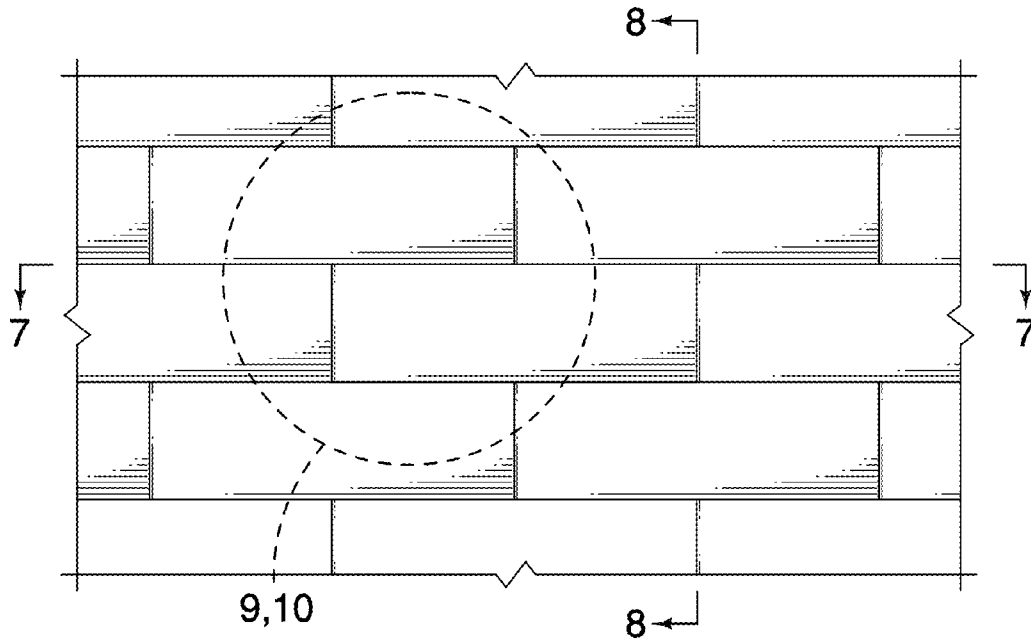


FIG. 6

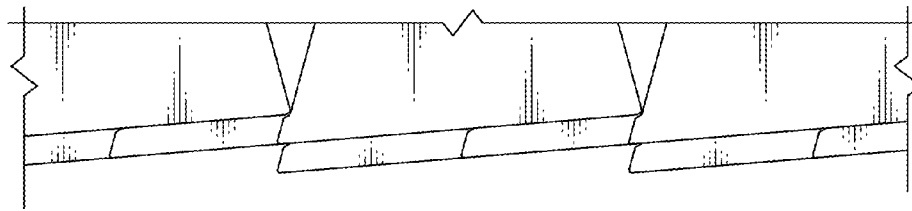


FIG. 7

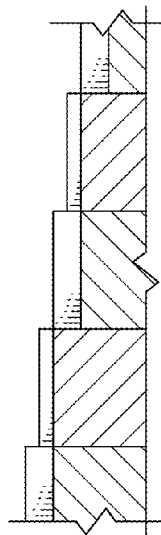


FIG. 8

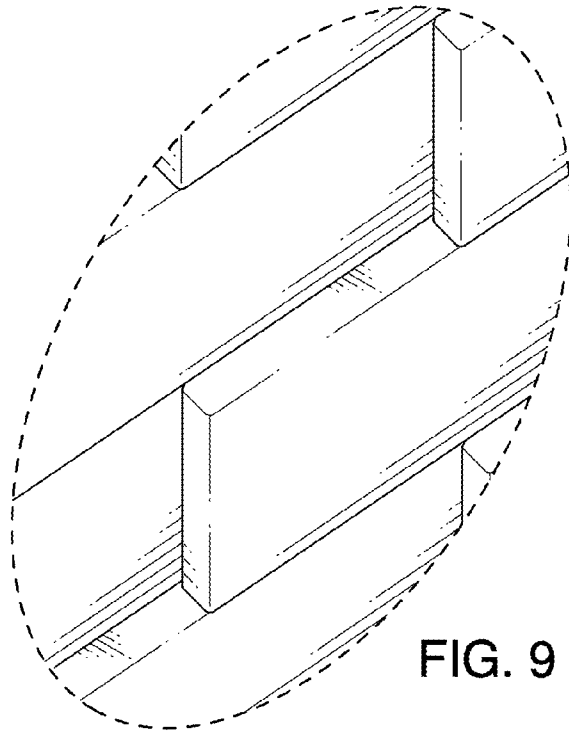


FIG. 9

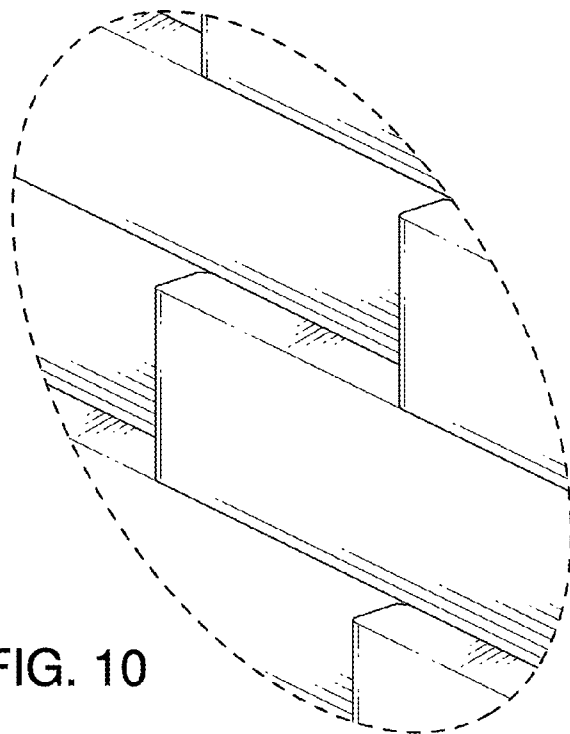


FIG. 10